

United States Patent [19]

Albright et al.

[11] Patent Number: Des. 296,240

[45] Date of Patent: ** Jun. 14, 1988

[54] MEDICAL MONITOR

[75] Inventors: Richard W. Albright, Frazier Park, Calif.; James Hunsdale, Bothell; Michael G. Lee, Redmond, both of Wash.

[73] Assignee: SpaceLabs, Inc., Bothell, Wash.

[**] Term: 14 Years

[21] Appl. No.: 790,689

[22] Filed: Oct. 23, 1985

[52] U.S. Cl. D24/17; D24/8

[58] Field of Search D24/17, 8; 128/661, 128/668, 670, 671, 696-715

[56] References Cited

U.S. PATENT DOCUMENTS

D. 238,905	2/1976	Sokol	D24/17
D. 247,251	2/1978	Napoli	D24/17
D. 264,128	4/1982	Barnes et al.	D24/17
D. 269,810	7/1983	Mace et al.	D24/17
3,910,257	10/1975	Fletcher et al.	128/670

Primary Examiner—A. Hugo Word
Assistant Examiner—Stella M. Reid
Attorney, Agent, or Firm—Seed and Berry

[57] CLAIM

The ornamental design for a medical monitor, as shown and described.

DESCRIPTION

FIG. 1 is a front perspective view of a medical monitor showing our new design;

FIG. 2 is a front elevational view of the medical monitor of FIG. 1.

FIG. 3 is a left side elevational view of the medical monitor of FIG. 1.

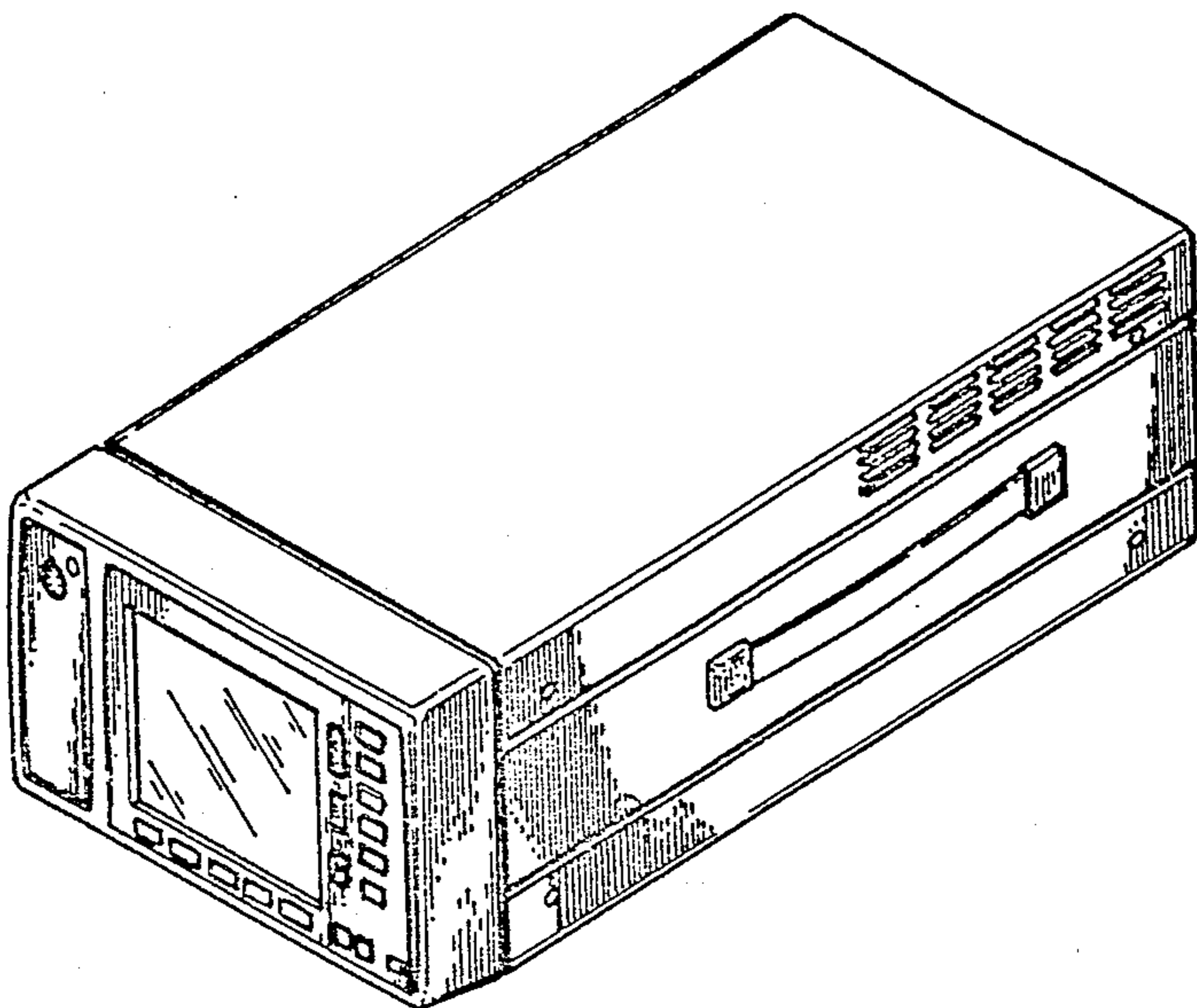
FIG. 4 is a top plan view of the medical monitor of FIG. 1.

FIG. 5 is a bottom plan view of the medical monitor of FIG. 1.

FIG. 6 is a rear elevational view of the medical monitor of FIG. 1.

FIG. 7 is a first alternate front elevational view of the medical monitor of FIG. 1.

FIG. 8 is a second alternate front elevational view of the medical monitor of FIG. 1.



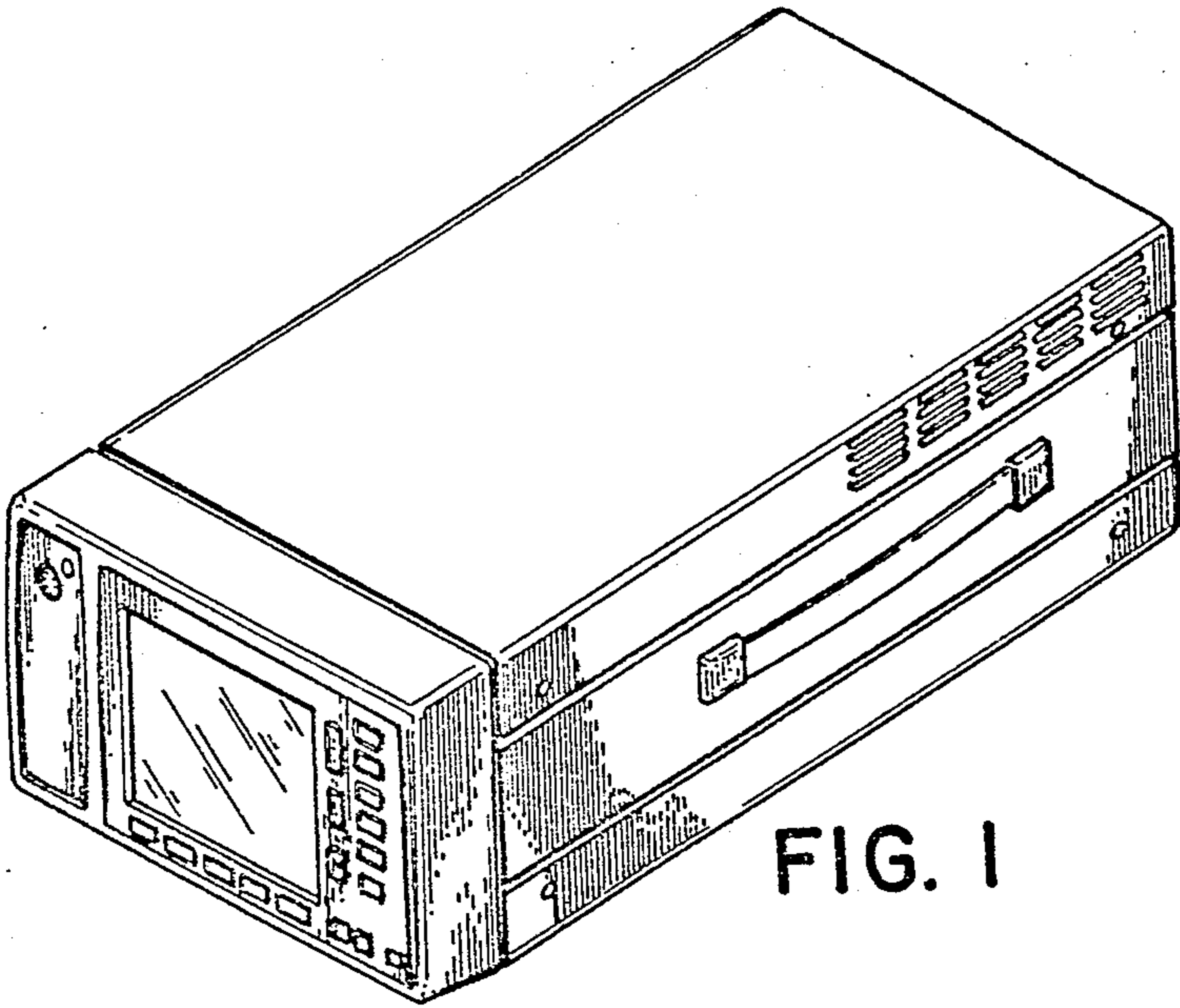


FIG. 1

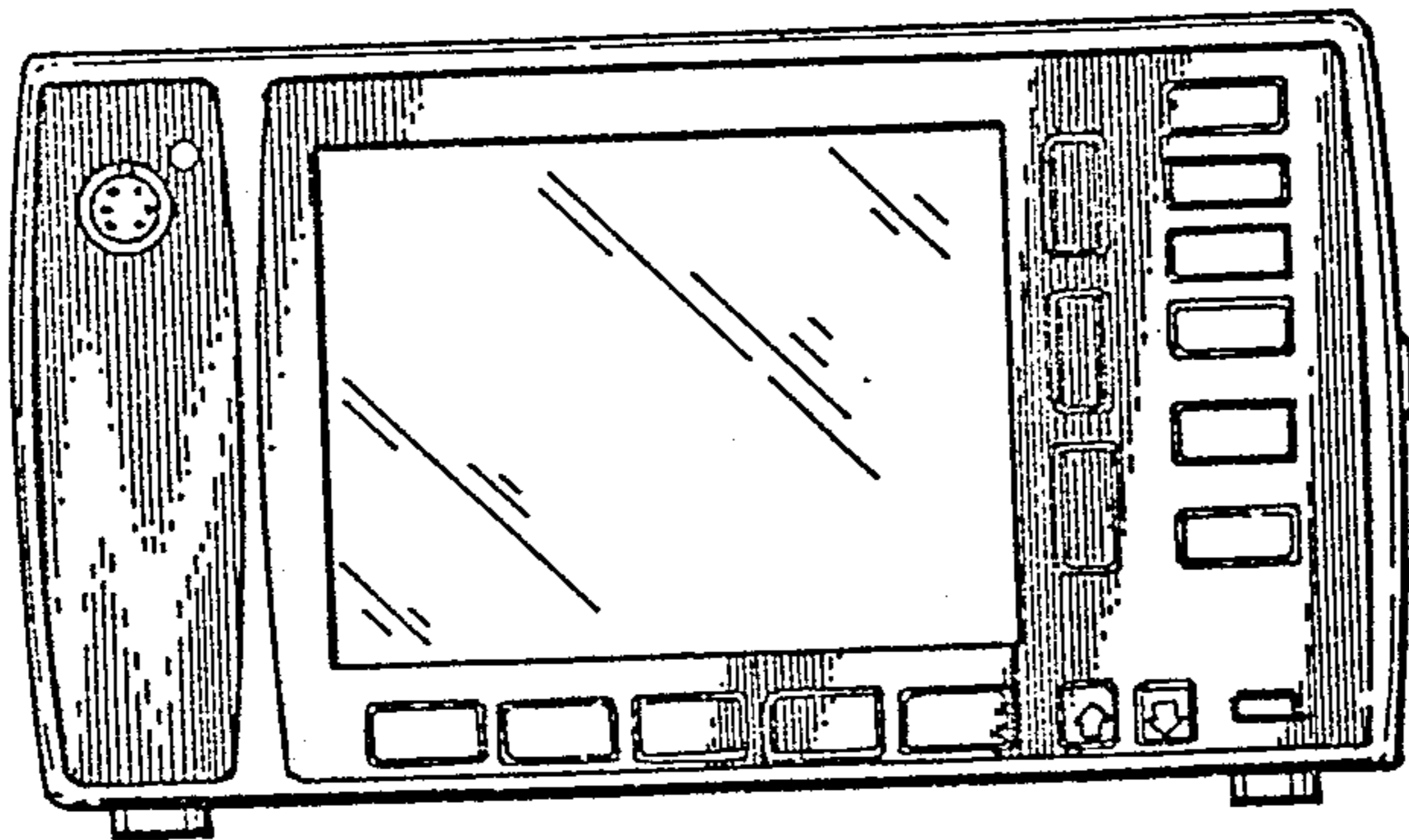


FIG. 2

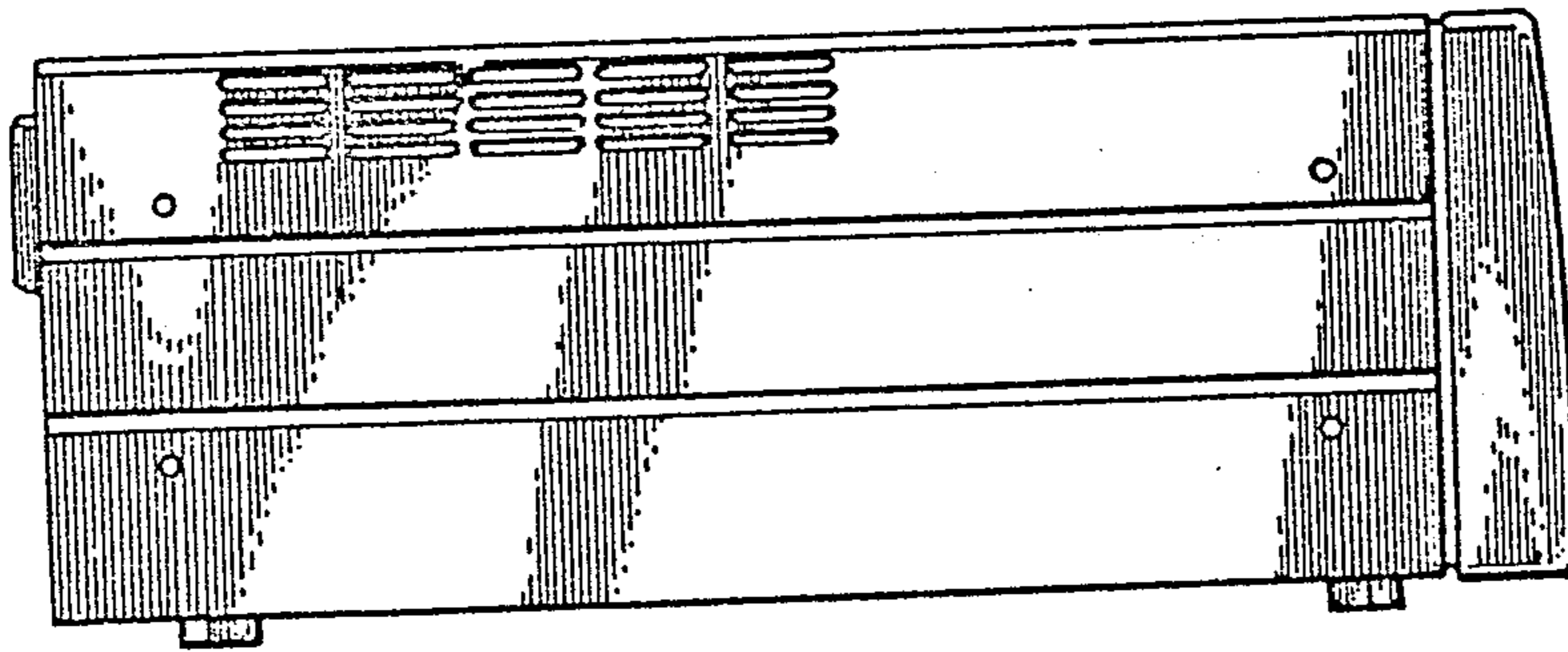


FIG. 3

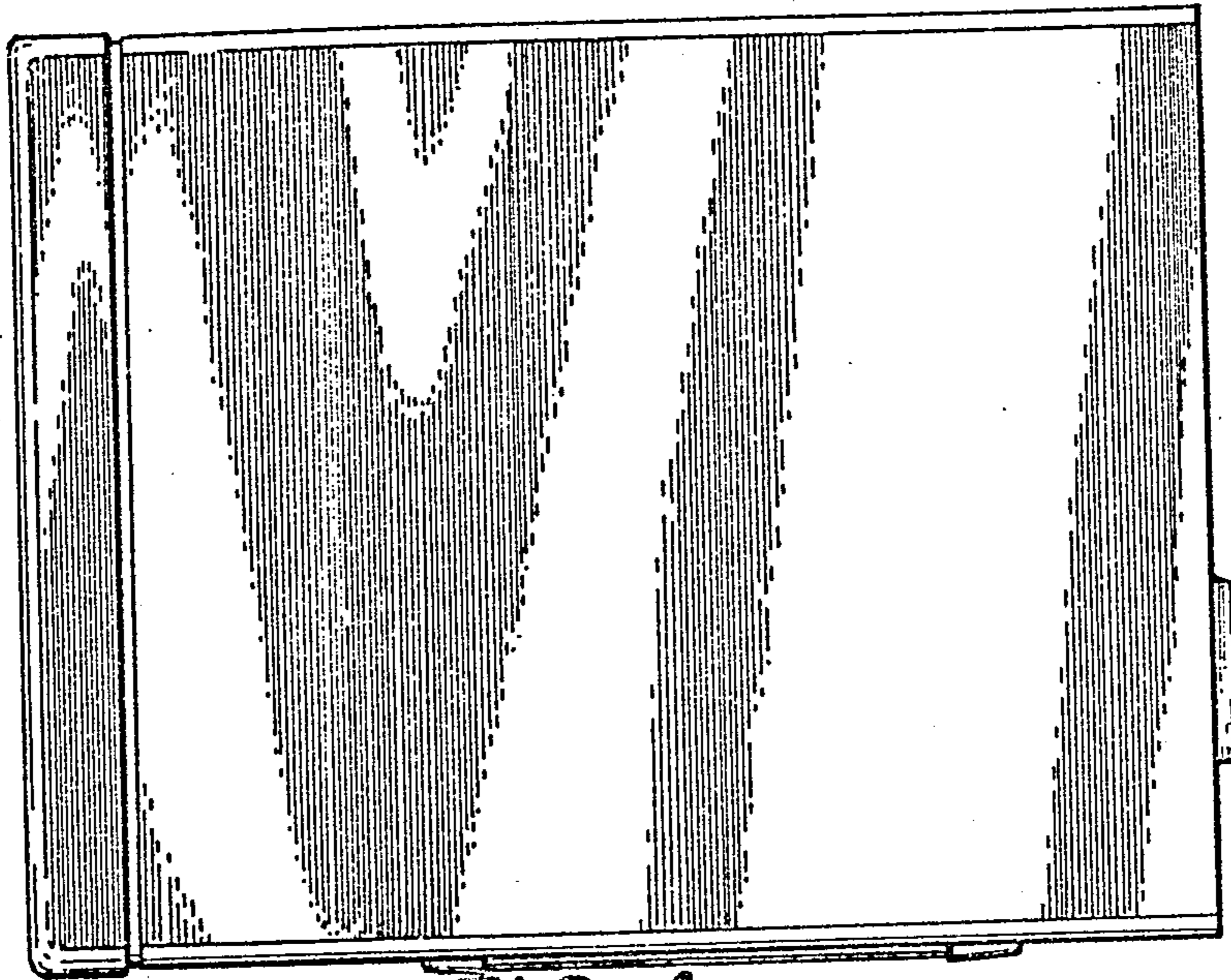


FIG. 4

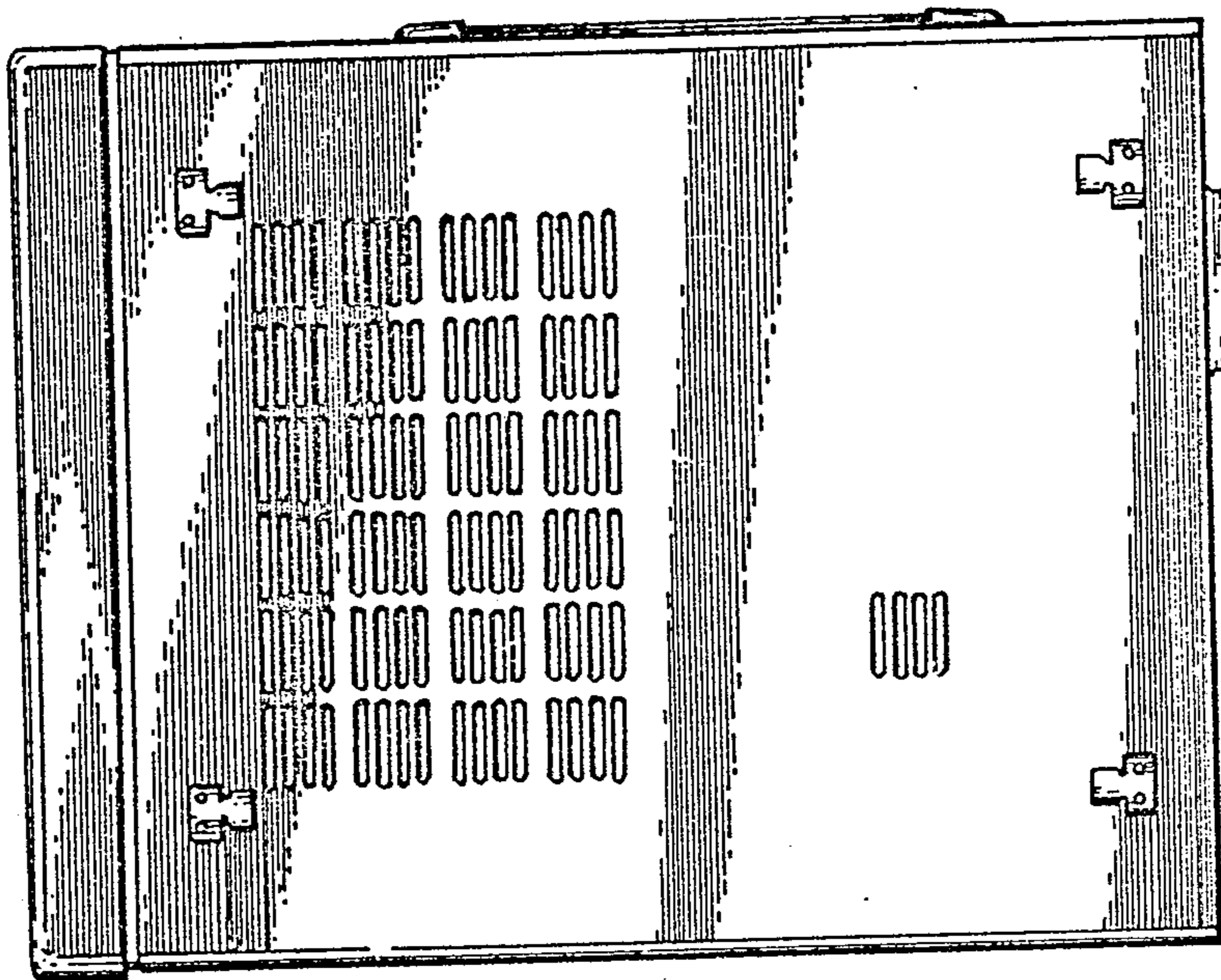


FIG. 5

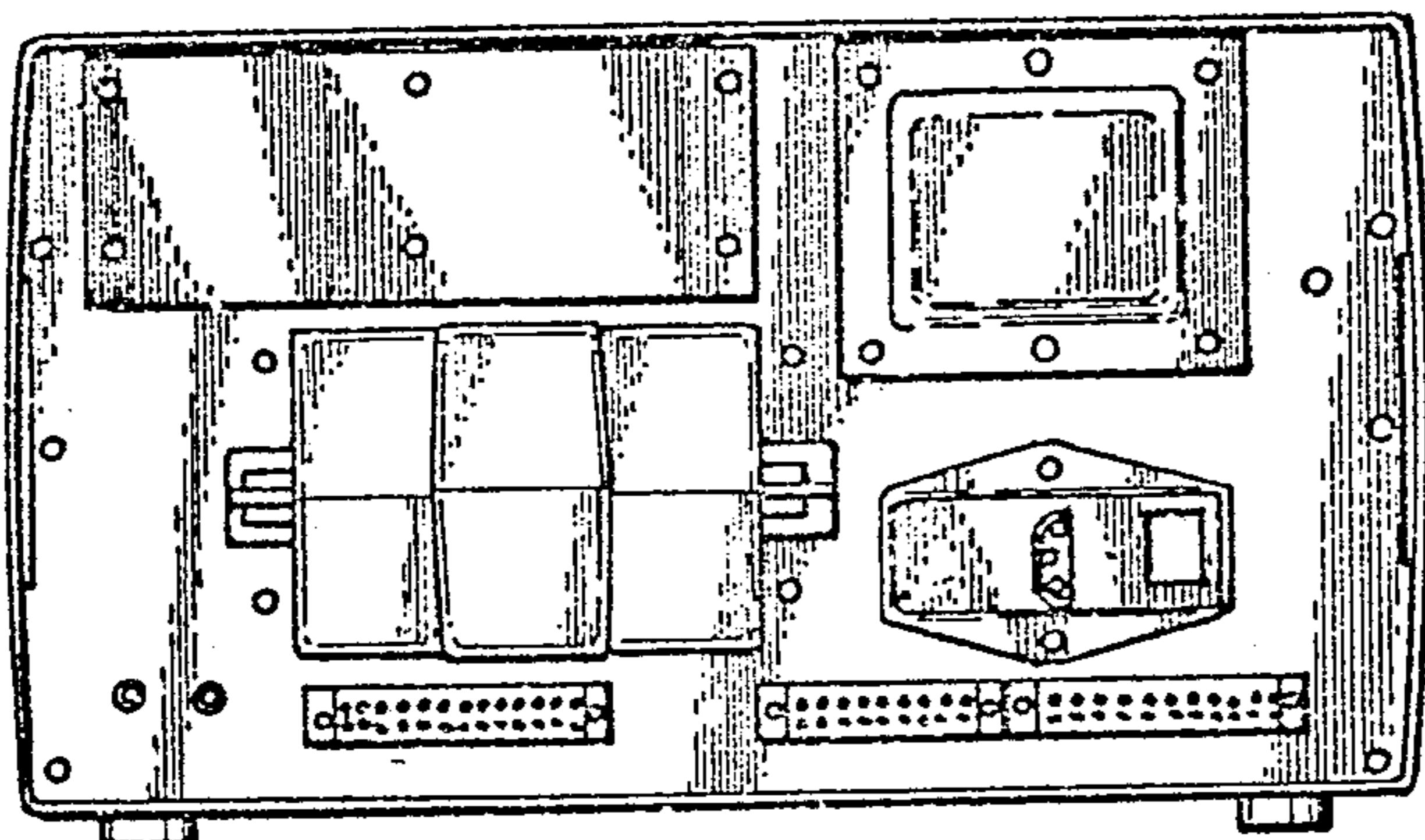


FIG. 6

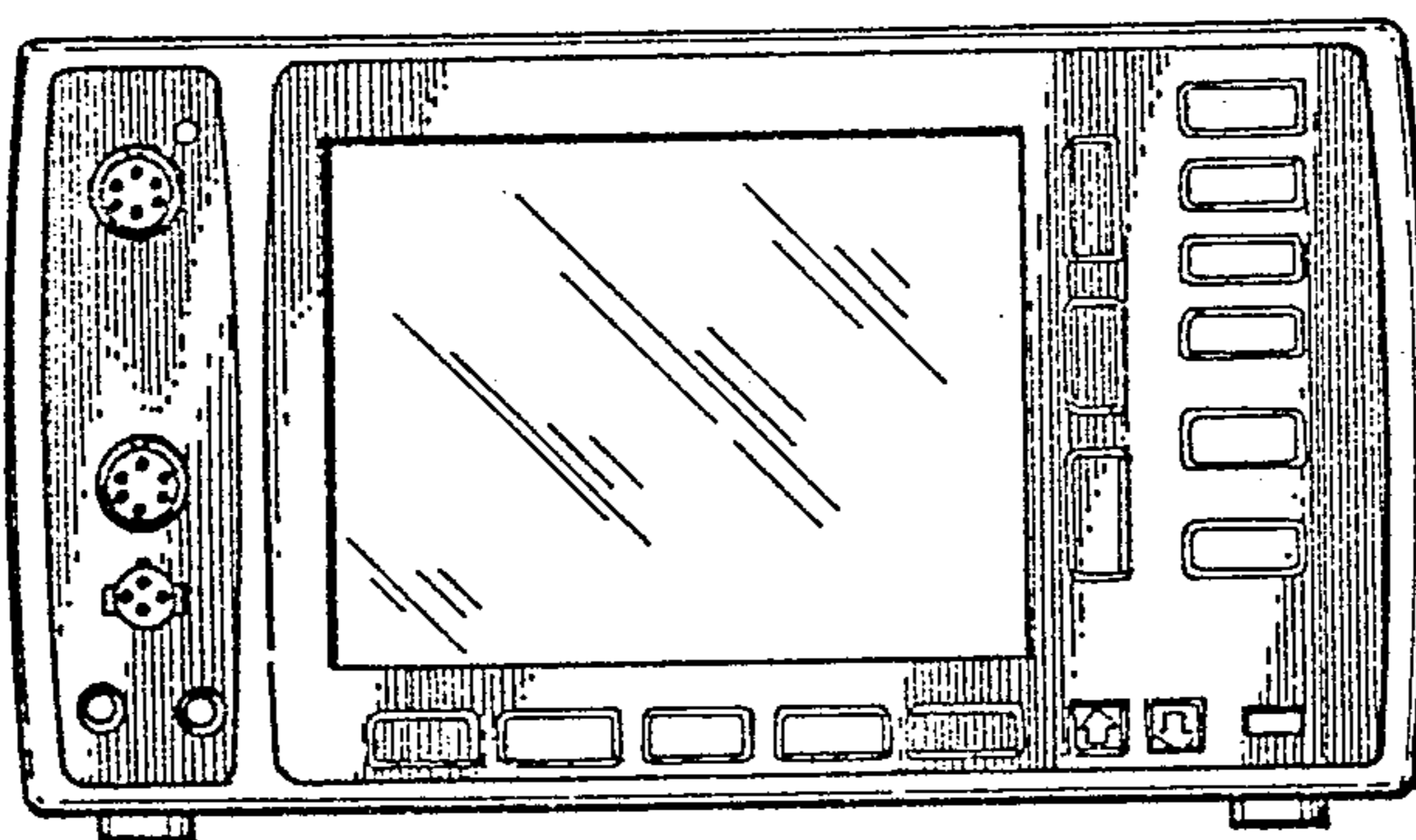


FIG. 7

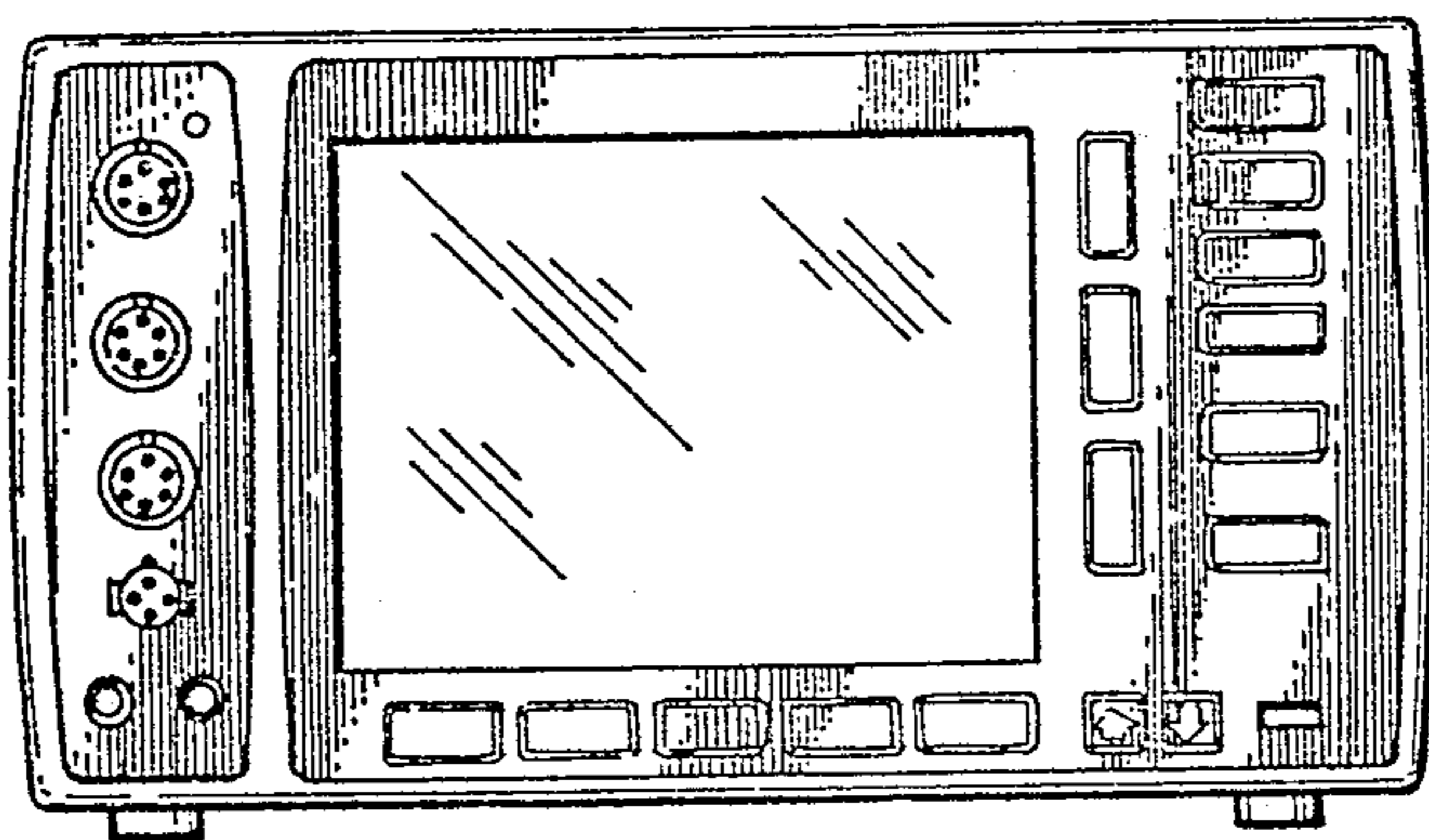


FIG. 8