

[54] SPOUT OR THE LIKE

[75] Inventor: Walter J. Schmitz, Bruch, Fed. Rep. of Germany

[73] Assignee: American Standard Inc., New York, N.Y.

[**] Term: 14 Years

[21] Appl. No.: 928,136

[22] Filed: Nov. 5, 1986

[52] U.S. Cl. D23/257

[58] Field of Search D23/238-243, D23/255-257; 4/191, 192; 137/801

[56] References Cited

U.S. PATENT DOCUMENTS

D. 83,923	4/1931	Sakier	D23/238
D. 189,806	2/1961	Chapman	D23/238
D. 198,830	8/1964	Armstrong	D23/255
D. 218,034	7/1970	Mongerson et al.	D23/257
D. 227,889	7/1973	Rauh	D23/255
D. 235,099	5/1975	Doman	D23/257
D. 237,082	10/1975	Keller III	D23/241

D. 258,520	3/1981	Thevenot	D23/242
D. 261,027	9/1981	Klose	D23/255
D. 271,706	12/1983	Fabian	D23/255
D. 291,116	7/1987	Haug et al.	D23/255

OTHER PUBLICATIONS

Domestic Engineering, Feb., 1957, p. 43, lower left and top center item.
Bathroom Jewelry Inc. Brochure.

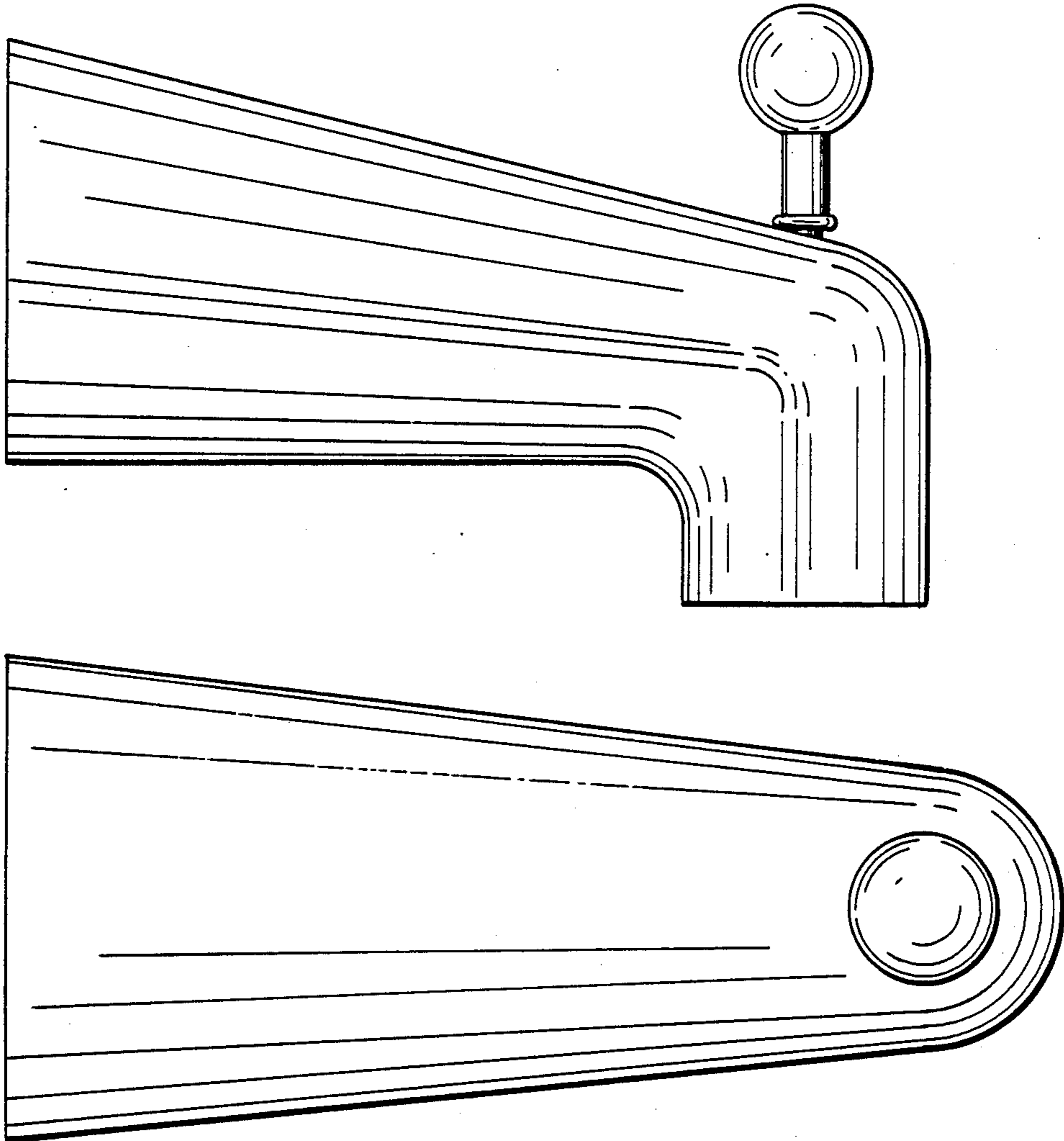
Primary Examiner—James R. Largen
Attorney, Agent, or Firm—James J. Salerno, Jr.; Robert G. Crooks; John P. Sinnott

[57] CLAIM

The ornamental design for a spout or the like, substantially as shown and described.

DESCRIPTION

FIG. 1 is a left side elevational view of a spout or the like showing my new design, the right side being a mirror image of the left side shown; FIG. 2 is a top plan view thereof; FIG. 3 is a bottom plan view thereof; FIG. 4 is a front elevational view thereof; and FIG. 5 is a rear elevational view thereof.



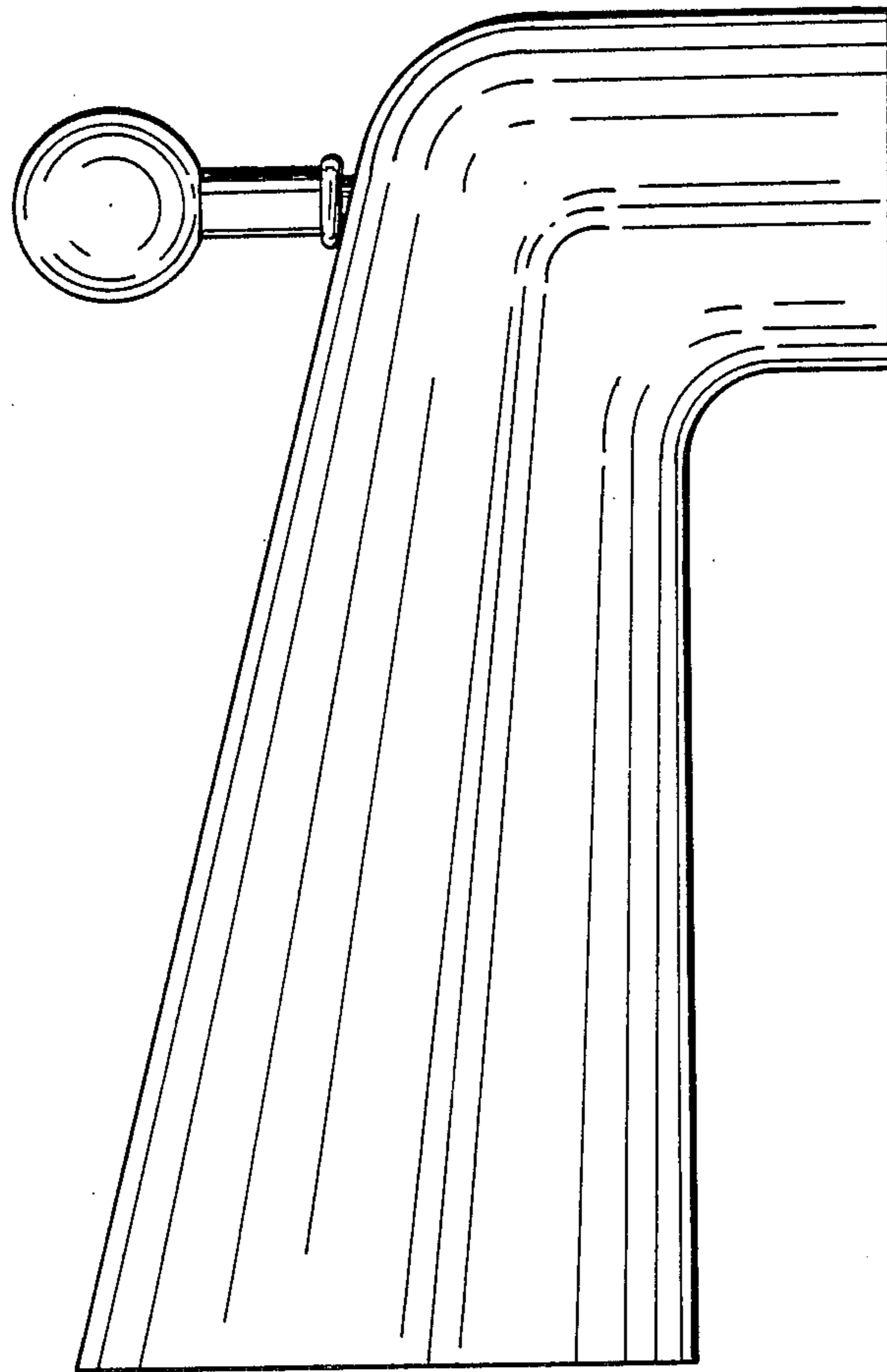


FIG. 1

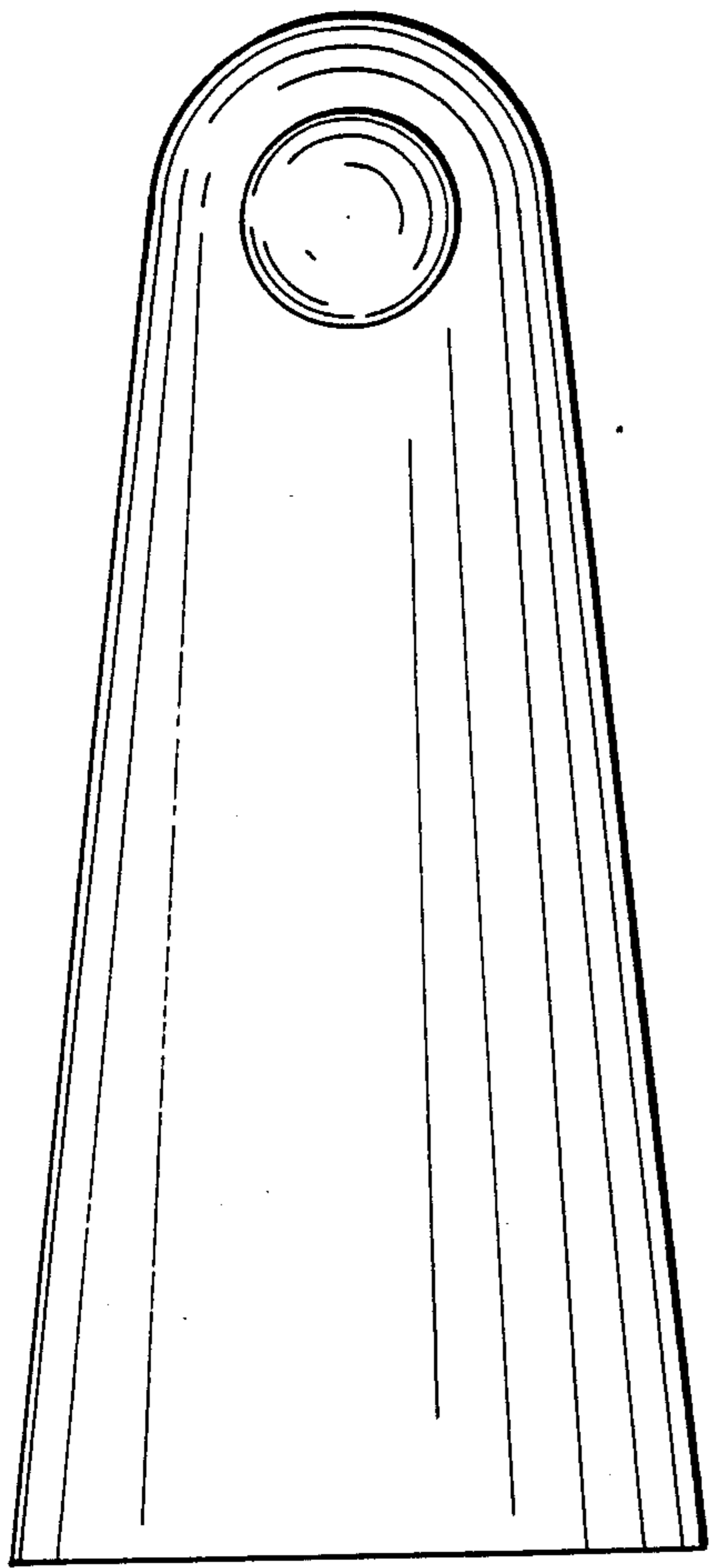


FIG. 2

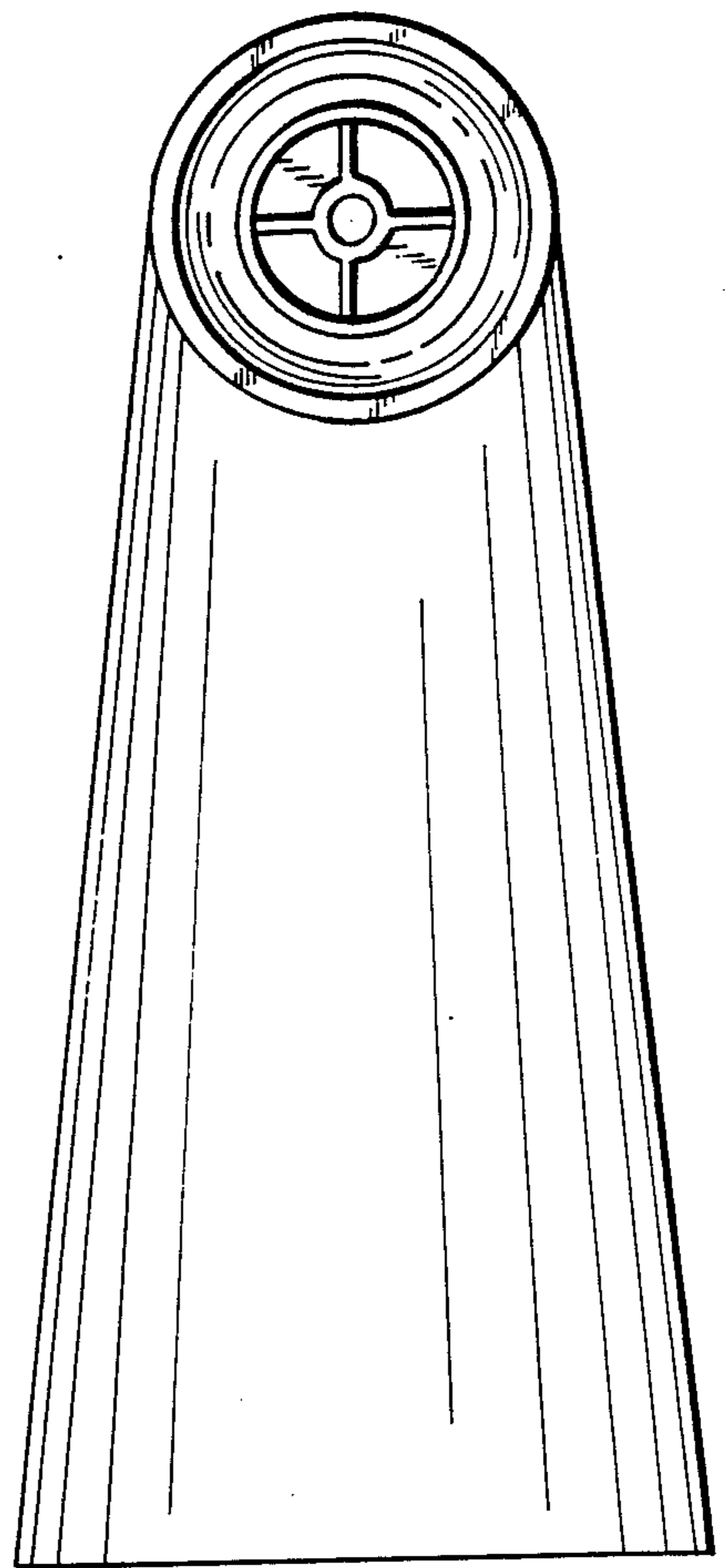


FIG. 3

FIG. 4

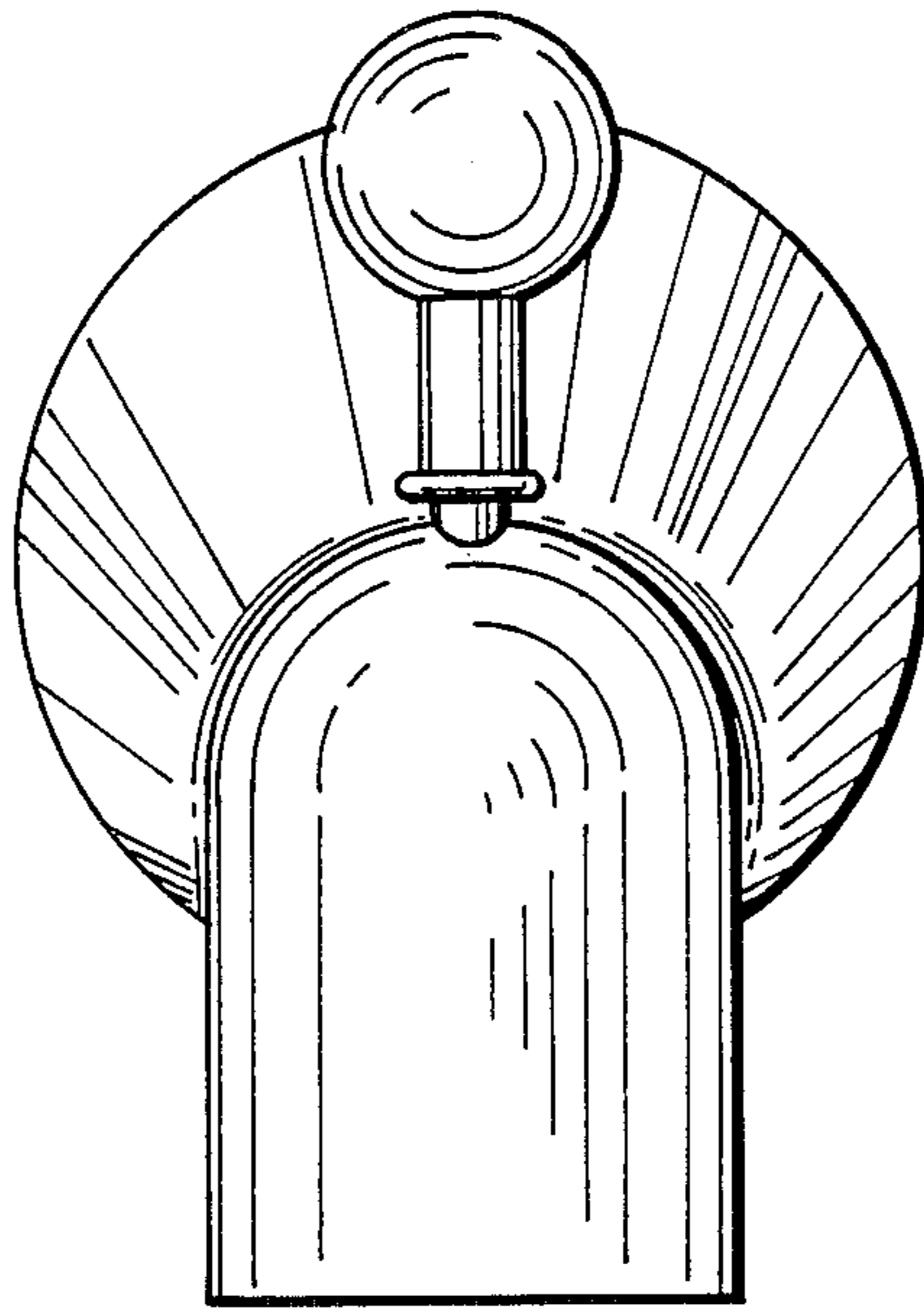


FIG. 5

