

[54] RELIEF VALVE

[76] Inventor: Ray Crossman, 2796 Wissemann Dr., Sacramento, Calif. 95826

[**] Term: 14 Years

[21] Appl. No.: 753,060

[22] Filed: Jul. 9, 1985

[52] U.S. Cl. D23/235

[58] Field of Search D23/233-237, D23/244-249; 137/328, 527, 527.6, 527.8, 540-542

2,174,332	9/1939	Schweighart	137/527.6
2,628,868	2/1953	Mitcham	137/527.6 X
2,781,778	2/1957	Lisciani	137/540
3,131,718	5/1964	Mingrone	137/541 X
3,335,751	8/1967	Davis, Jr.	137/541
4,433,702	2/1984	Baker	137/527 X

Primary Examiner—James R. Largen
Attorney, Agent, or Firm—Mark C. Jacobs

[57] CLAIM

The ornamental design for relief valve, substantially as shown and described.

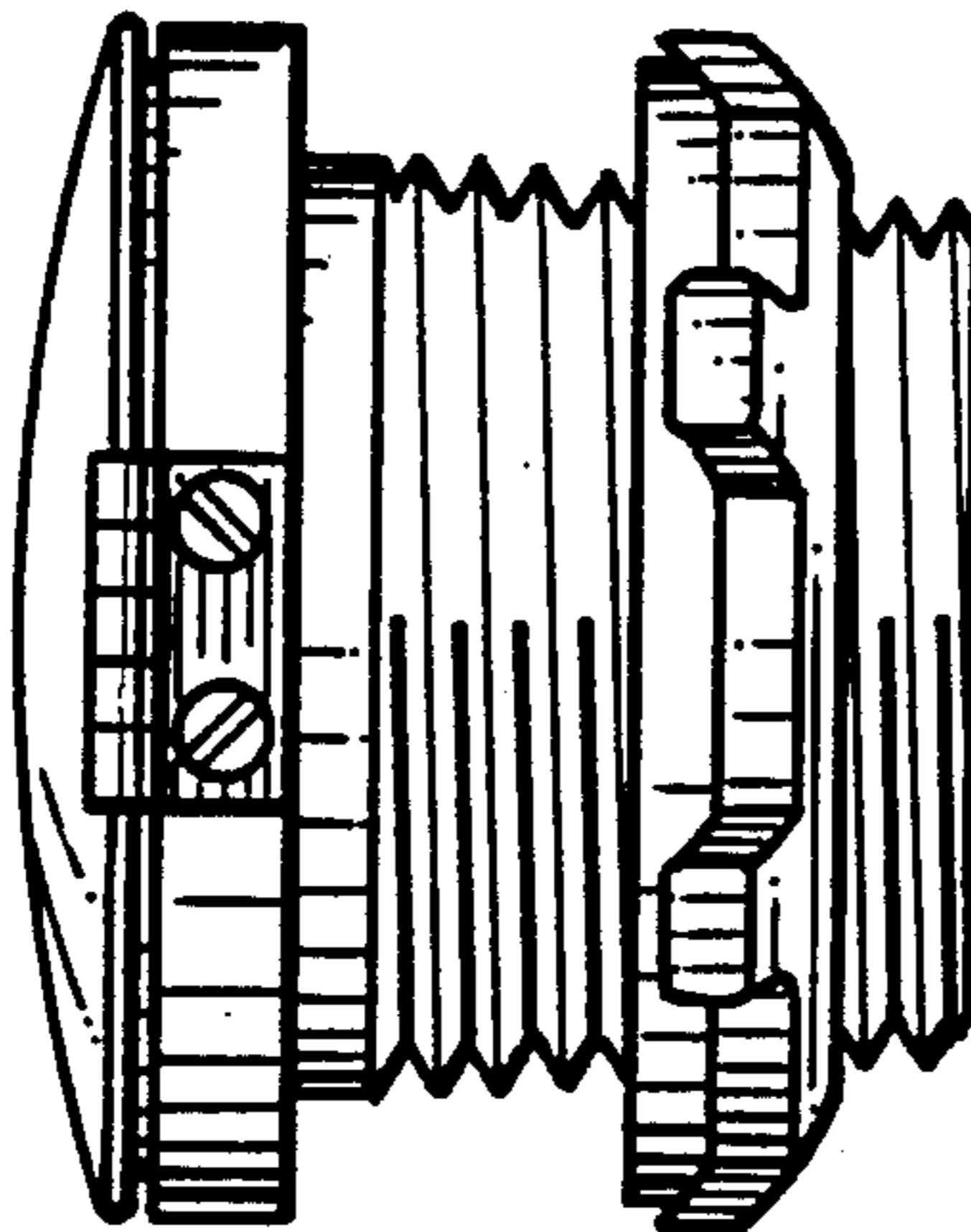
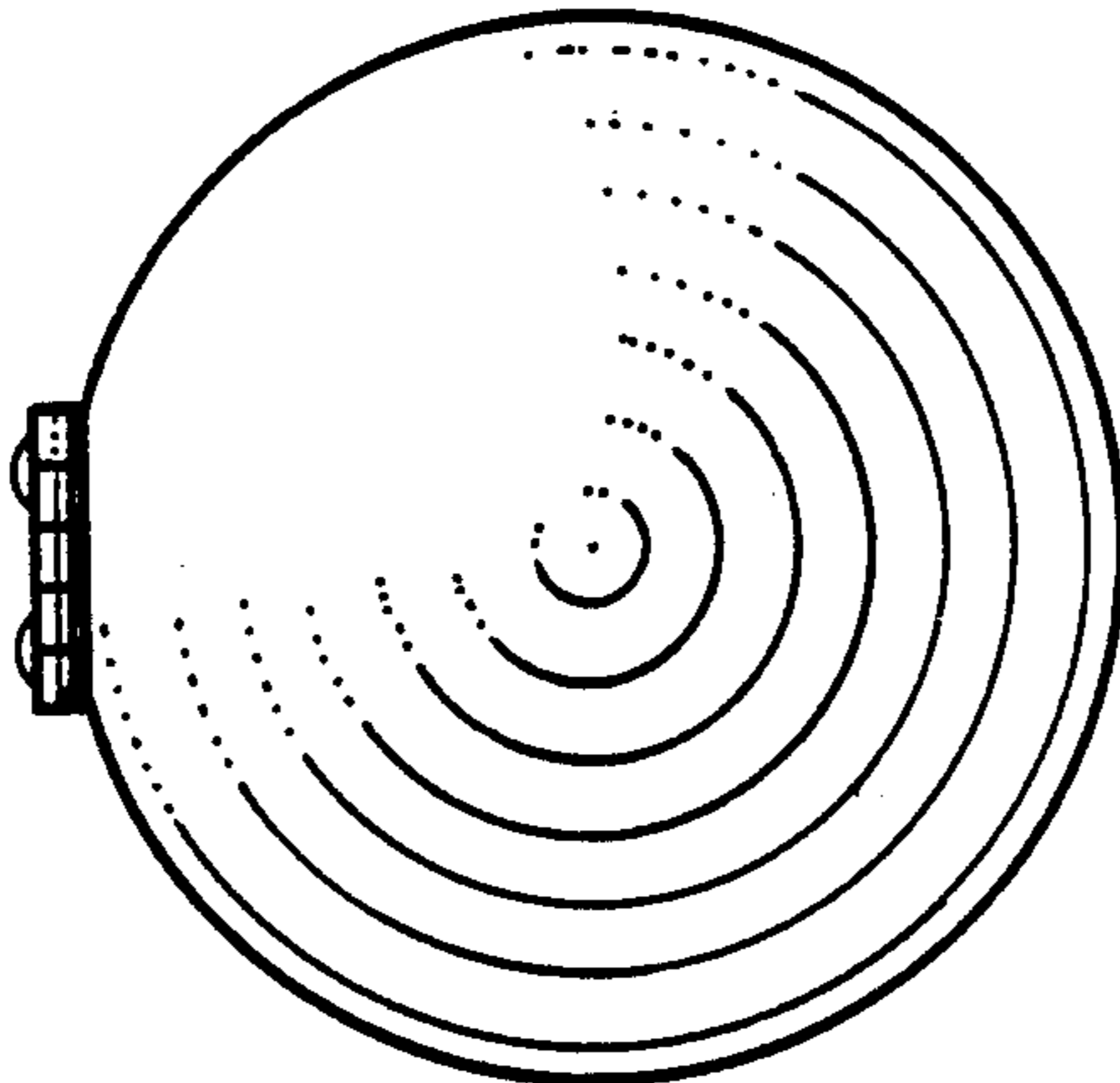
DESCRIPTION

FIG. 1 is a front elevational view of a relief valve showing my new design;
FIG. 2 is a right side elevational view thereof;
FIG. 3 is a rear elevational view thereof;
FIG. 4 is a top plan view thereof, the bottom being a mirror image of the top shown;
FIG. 5 is a cross sectional view taken along line V—V of FIG. 3; and
FIG. 6 is a left side elevational view thereof.

[56] References Cited

U.S. PATENT DOCUMENTS

D. 226,524	3/1973	Brindisi	D23/235
D. 232,360	8/1974	Watts	D23/235
D. 266,019	8/1982	Crossman	D23/235
D. 278,551	4/1985	Crossman	D23/235
1,833,796	11/1931	Rivero	137/541
1,973,258	9/1934	Jensen	137/549 X
2,138,000	11/1938	Ehlers	137/540 X
2,155,124	4/1939	Gibbons	137/541



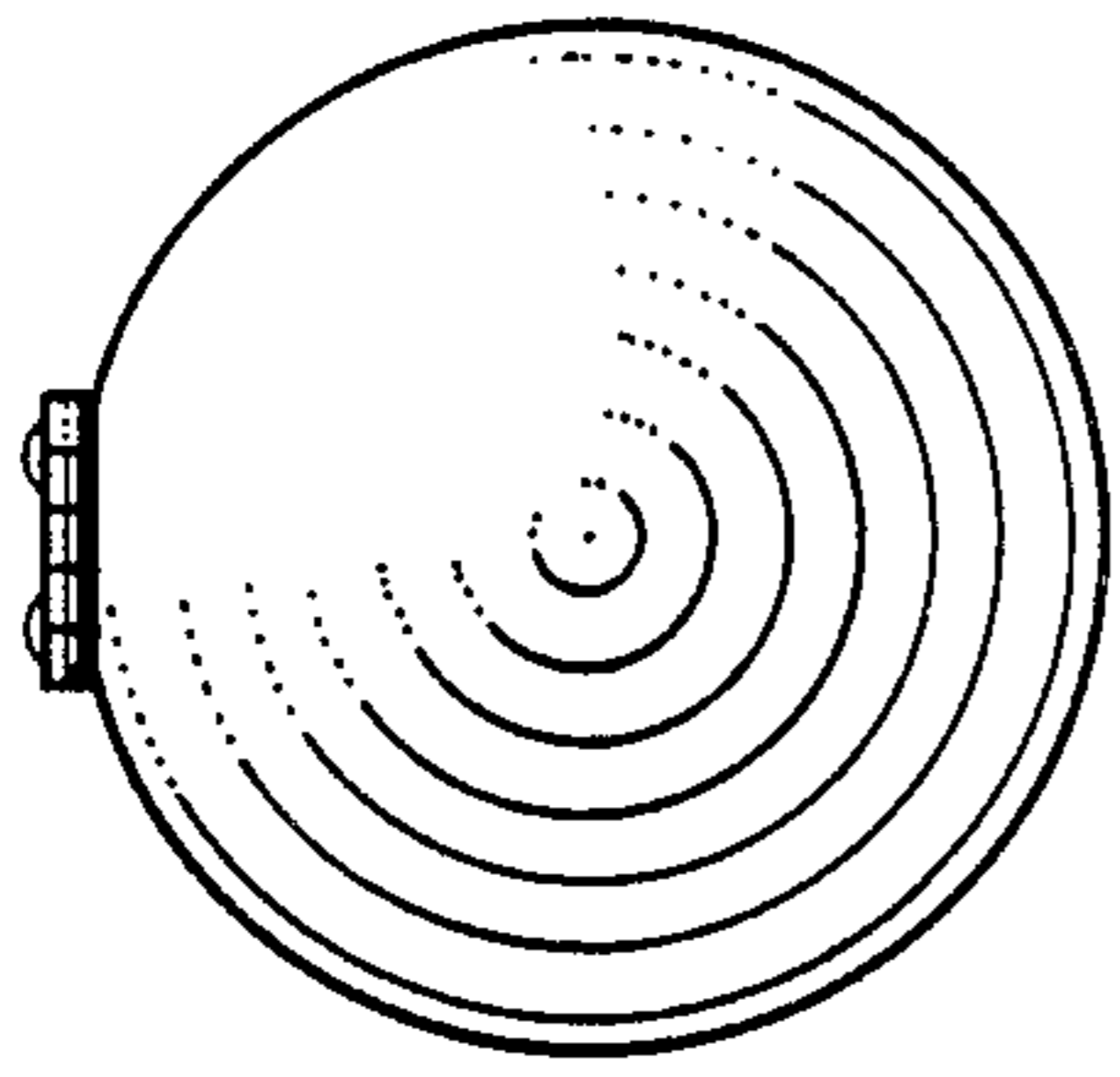


FIG. 1

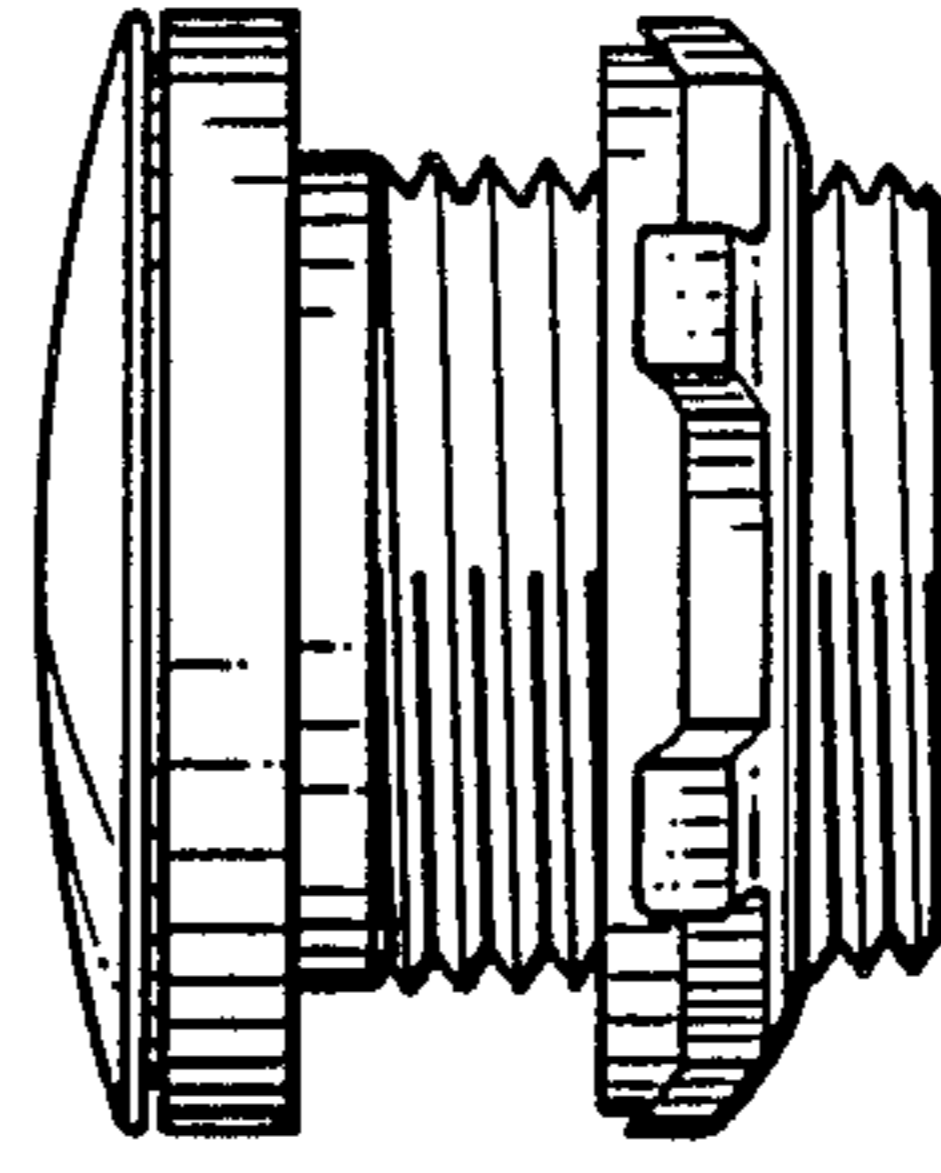


FIG. 2

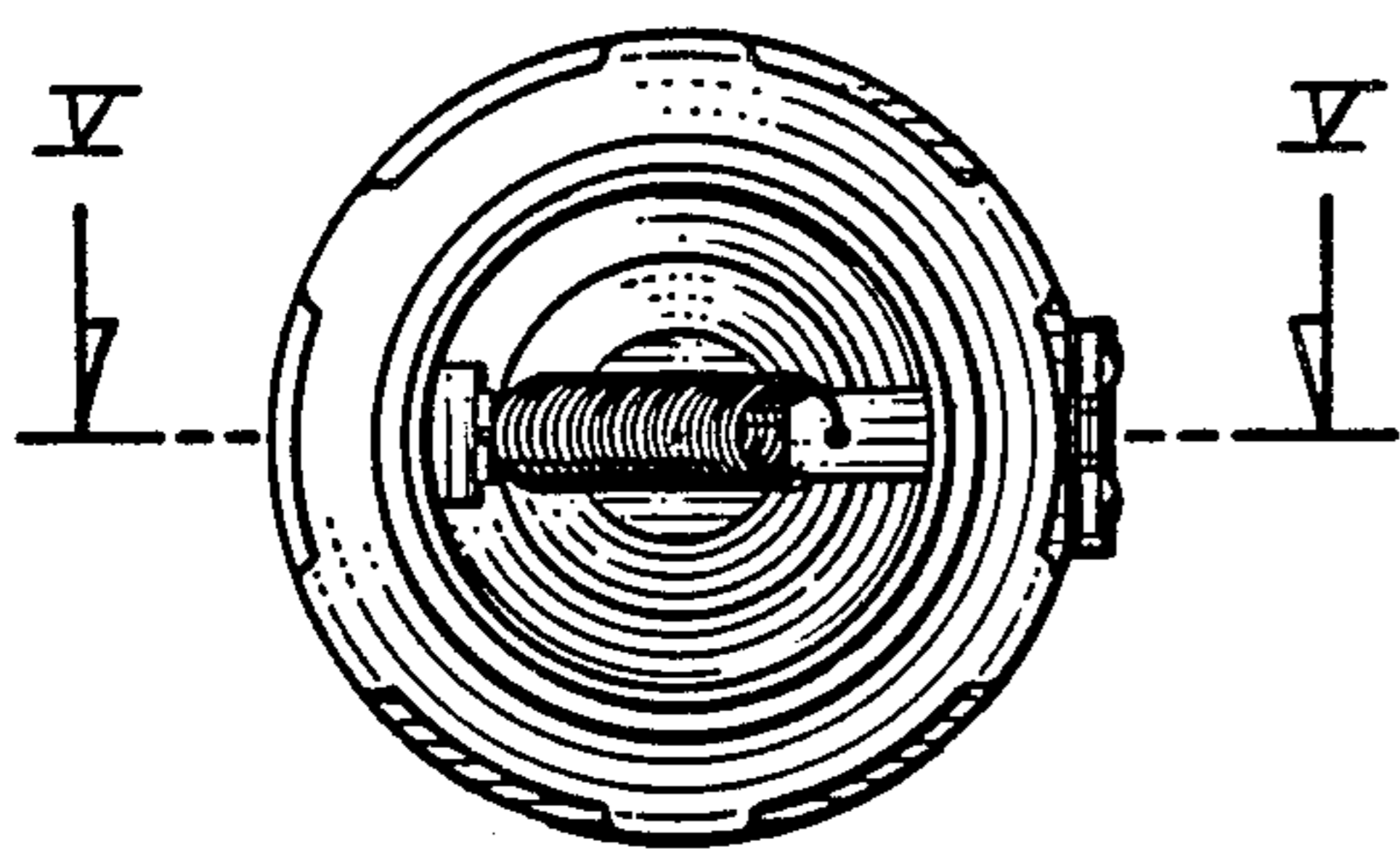


FIG. 3

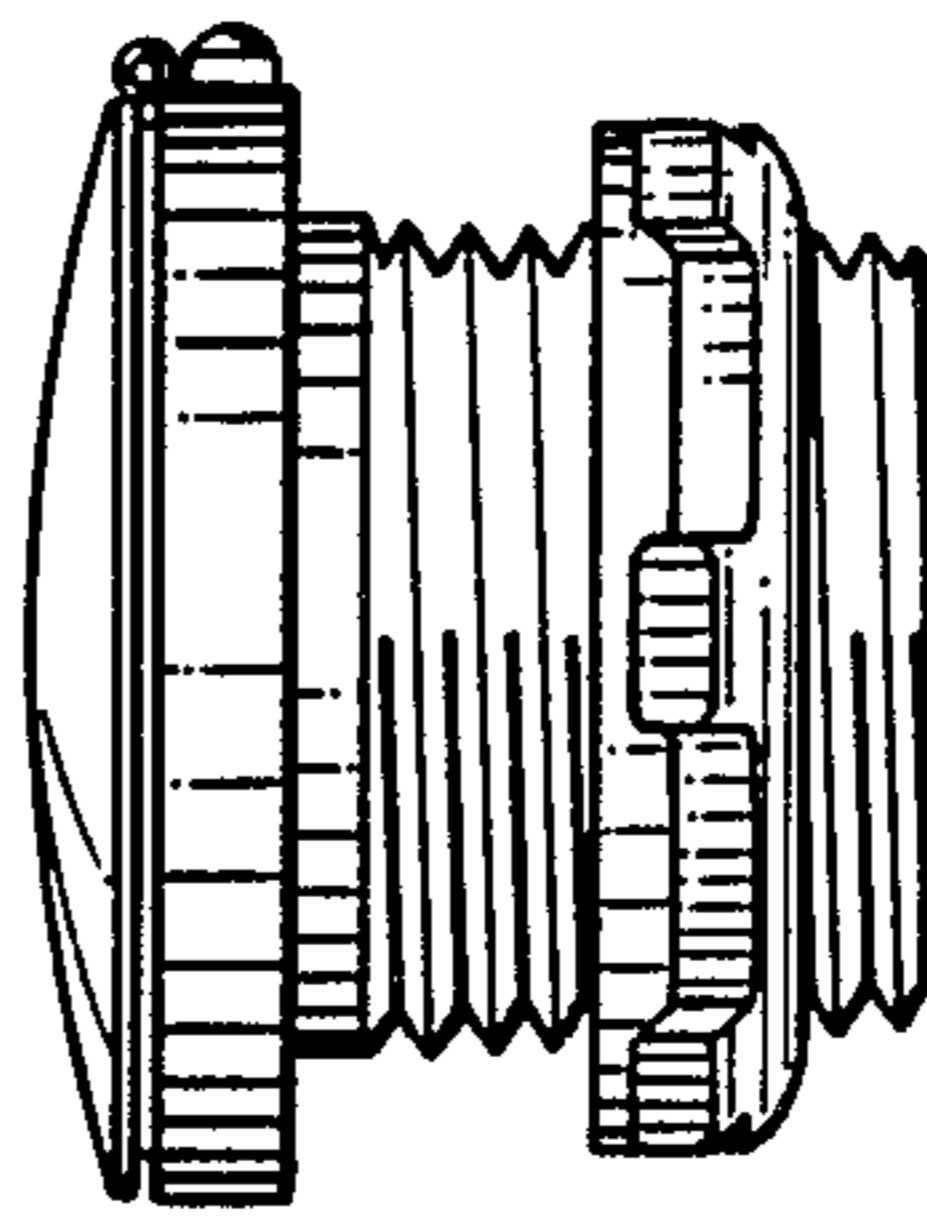


FIG. 4

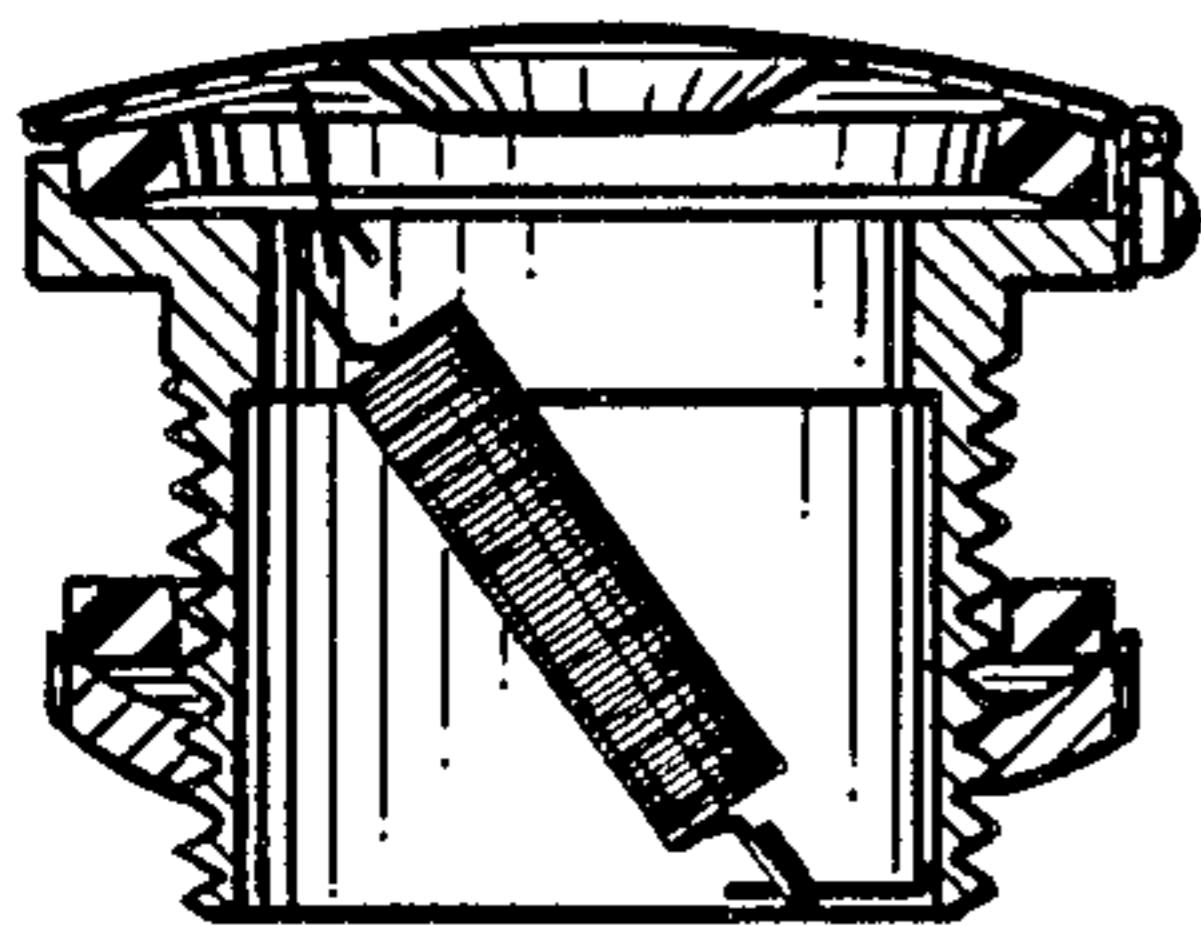


FIG. 5

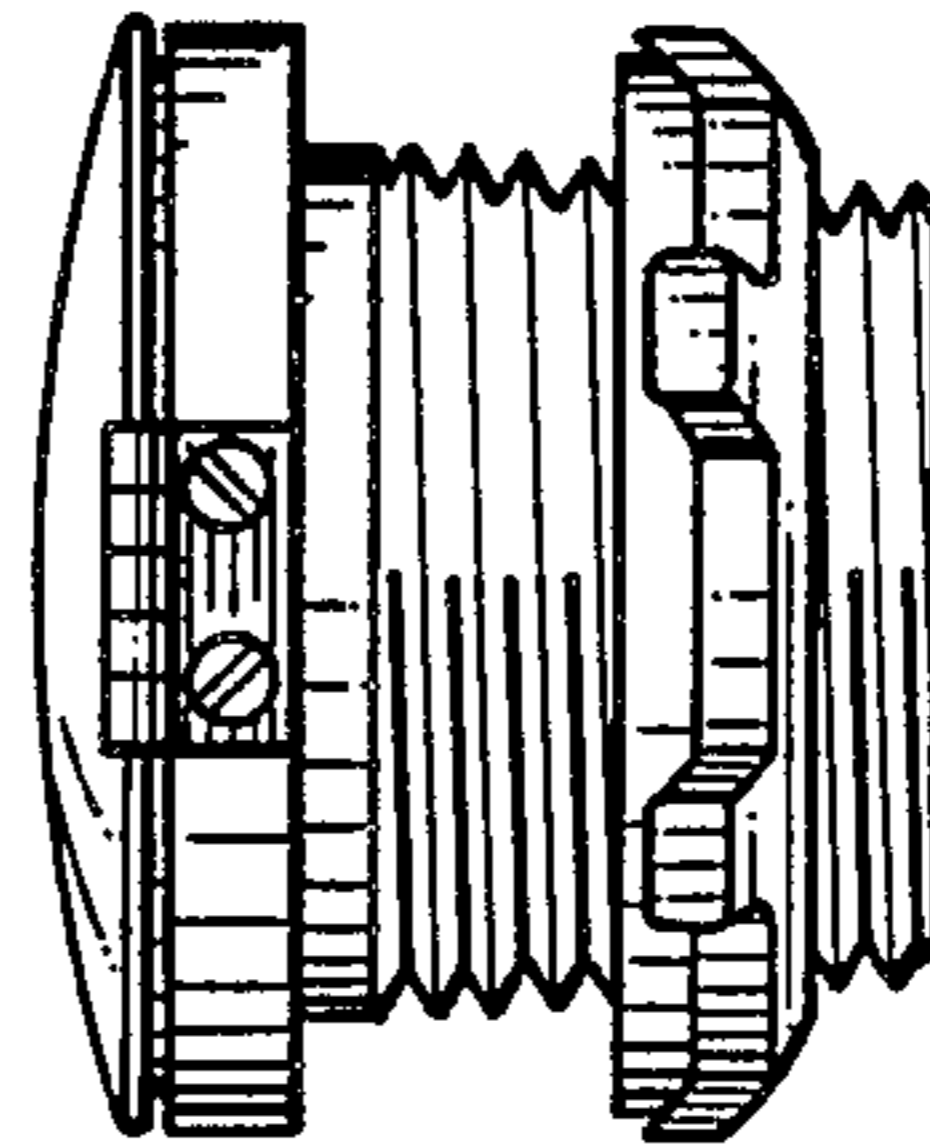


FIG. 6