

[54] SPRAY TUBE SUPPORTING END FOR AN OSCILLATING SPRINKLER

[75] Inventors: Ho Chow, Cliffside Park, N.J.; Jeffrey Kapec, Westport; Kazuna Tanaka, Cos Cob, both of Conn.

[73] Assignee: Hunter-Melnor, Inc., Memphis, Tenn.

[**] Term: 14 Years

[21] Appl. No.: 850,414

[22] Filed: Apr. 7, 1986

[52] U.S. Cl. D23/216

[58] Field of Search D23/6-8; 239/225.1, 242, 248, 280

[56] References Cited

U.S. PATENT DOCUMENTS

D. 186,011	8/1959	Benjamin	D23/8
D. 199,228	9/1964	Beinert	D23/8
D. 259,655	6/1981	Roman	D23/8
3,567,122	3/1971	Congdon	239/242 X
4,245,786	1/1981	Abrahamsen et al.	239/242
4,606,500	8/1986	Mussler et al.	239/242

OTHER PUBLICATIONS

Fairway Sprinkler, "Hardward Age", p. 94, 12/4/1964.

Primary Examiner—Wallace R. Burke

Assistant Examiner—Brian N. Vinson

Attorney, Agent, or Firm—James & Franklin

[57] CLAIM

The ornamental design for a spray tube supporting end for an oscillating sprinkler, substantially as shown and described.

DESCRIPTION

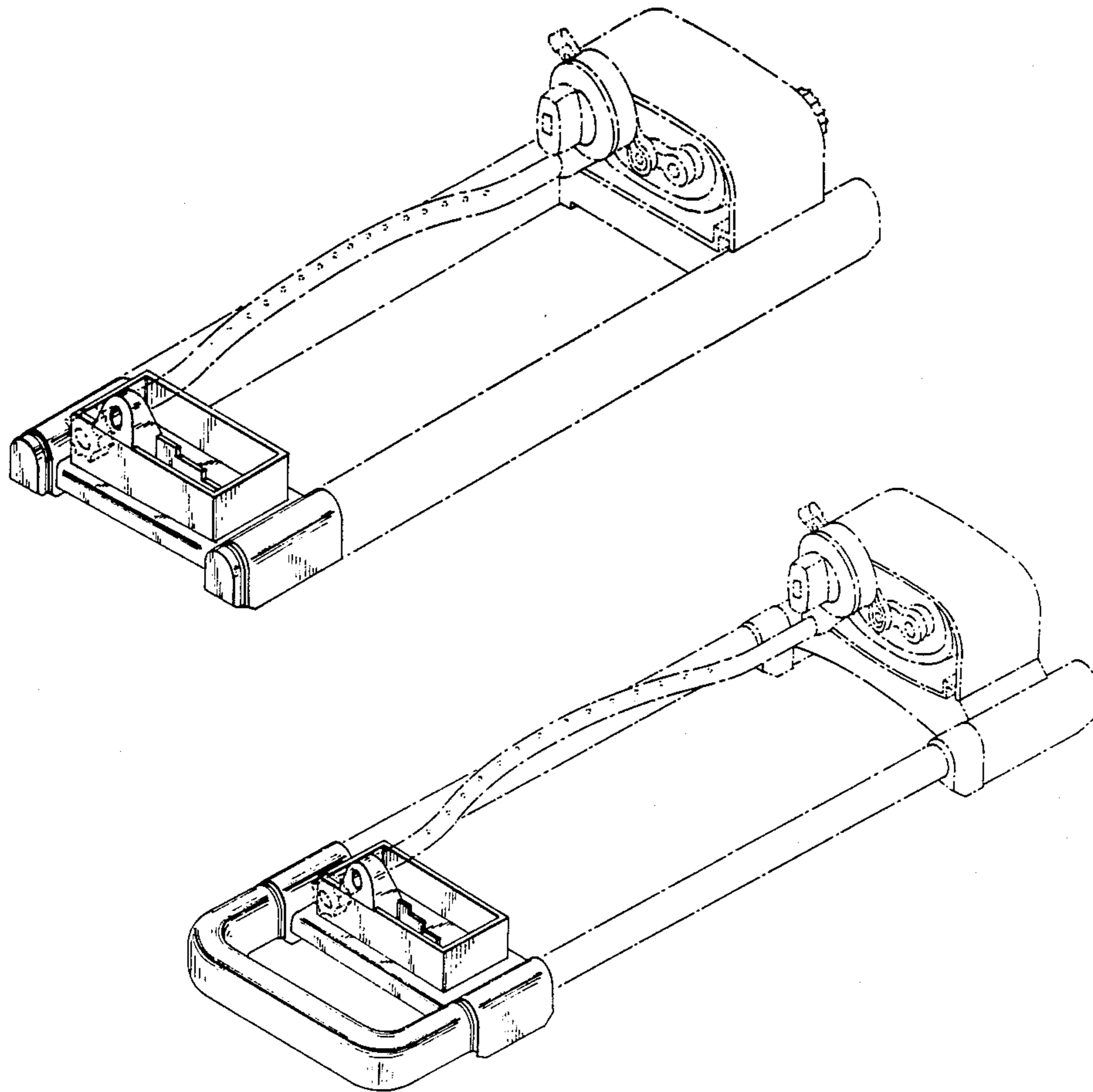
FIG. 1 is a top and front perspective view of a spray tube supporting end for an oscillating sprinkler showing our new design;

FIG. 2 is a top plan view thereof;

FIG. 3 is a rear elevational view thereof; and

FIG. 4 is a top and front perspective view of an alternate embodiment thereof, the difference residing in the configuration of the side runners at the front end.

The broken-line showing of the remainder of the sprinkler is for illustrative purposes only and forms no part of the claimed design.



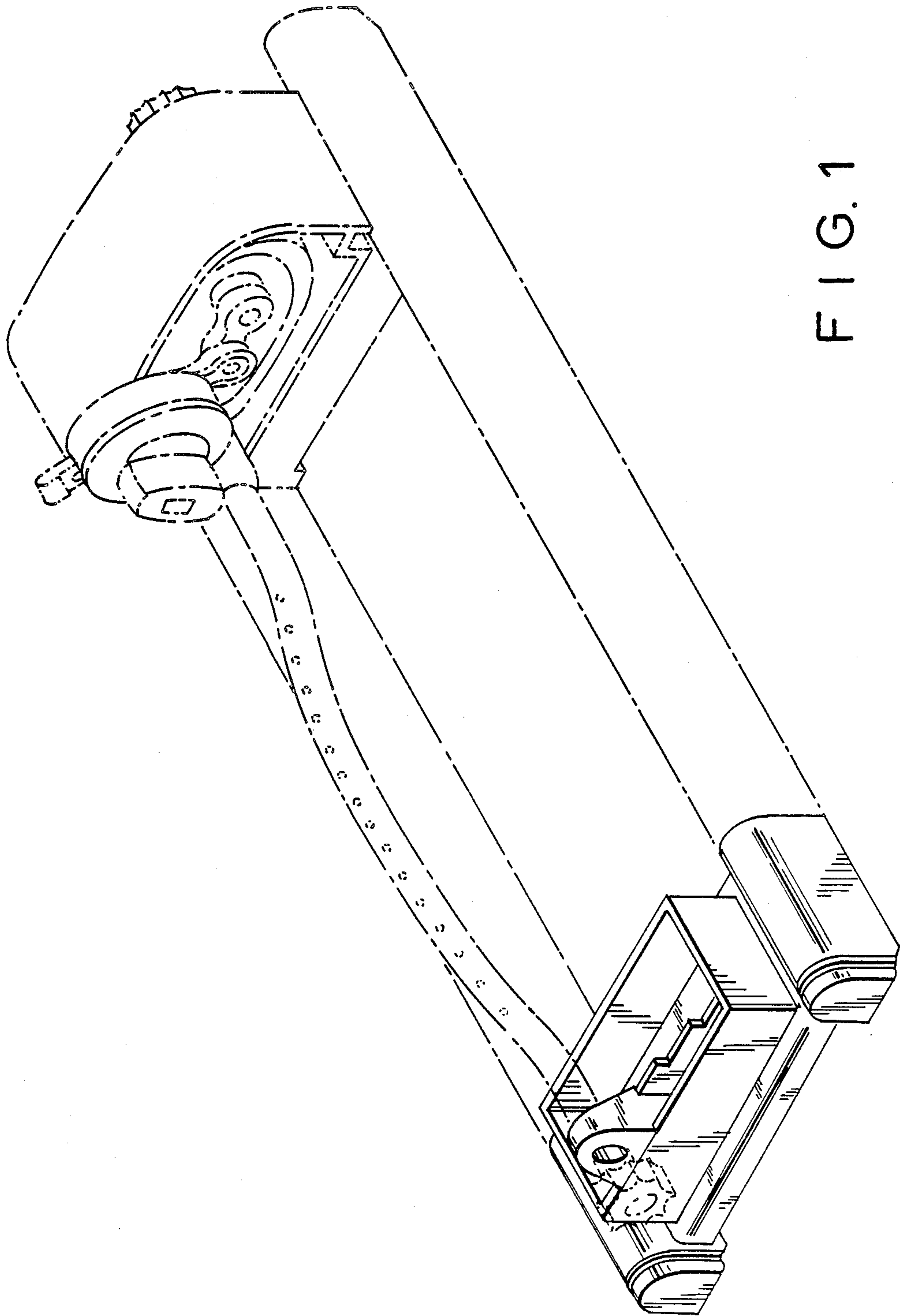


FIG. 1

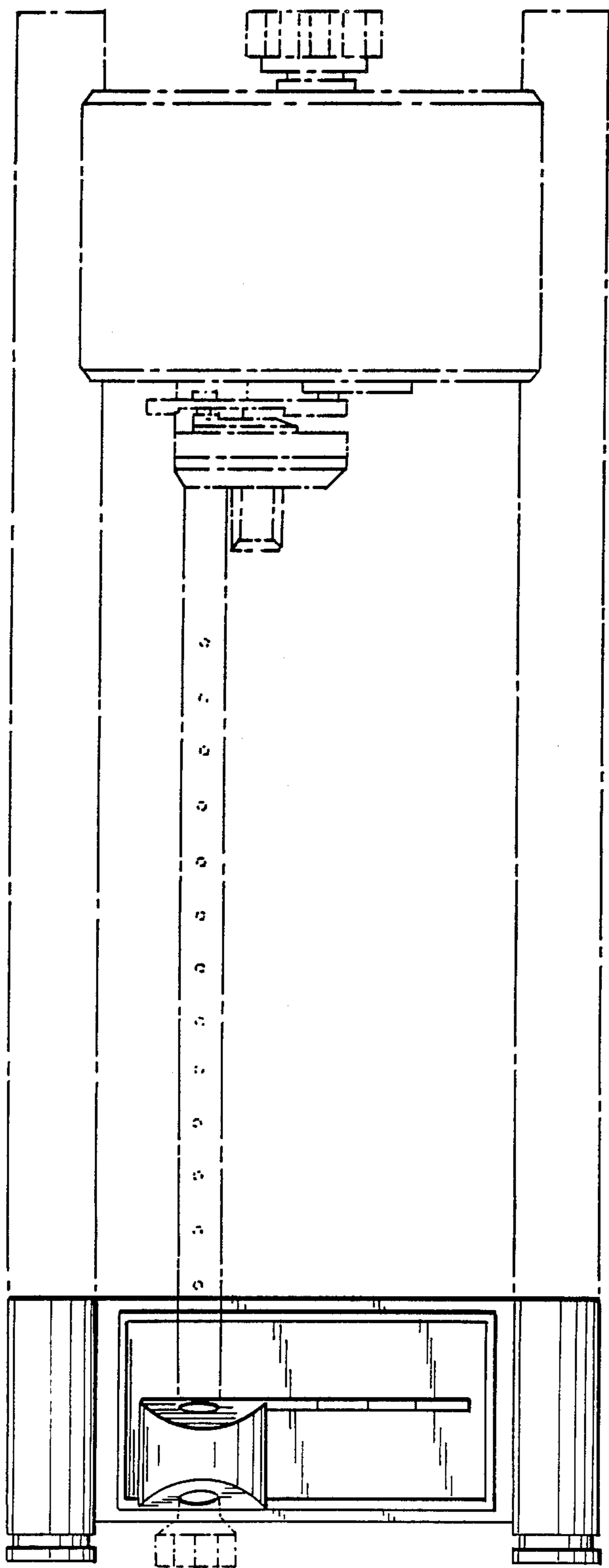


FIG. 2

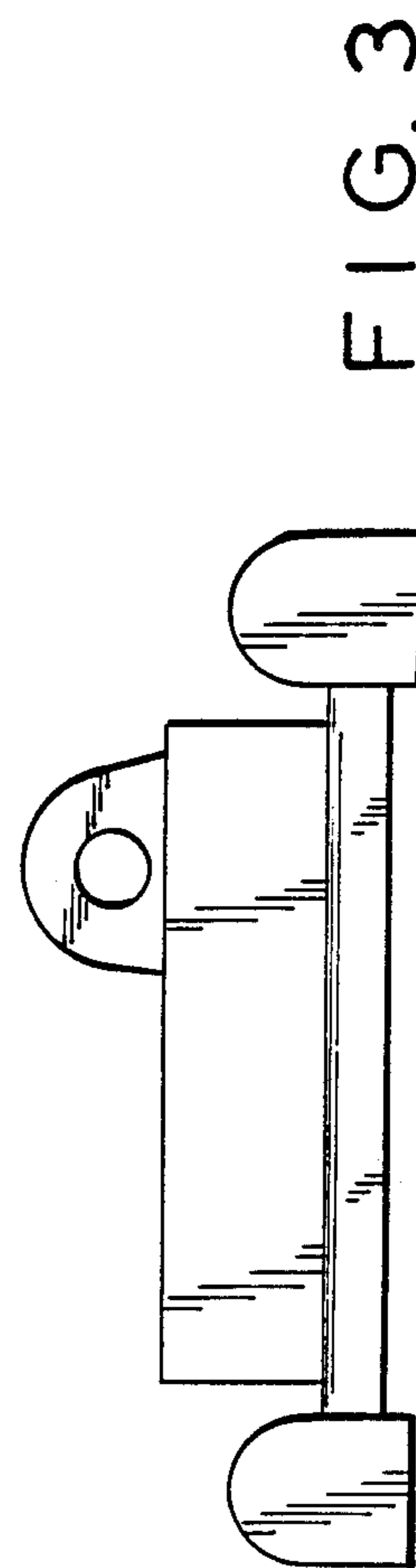


FIG. 3

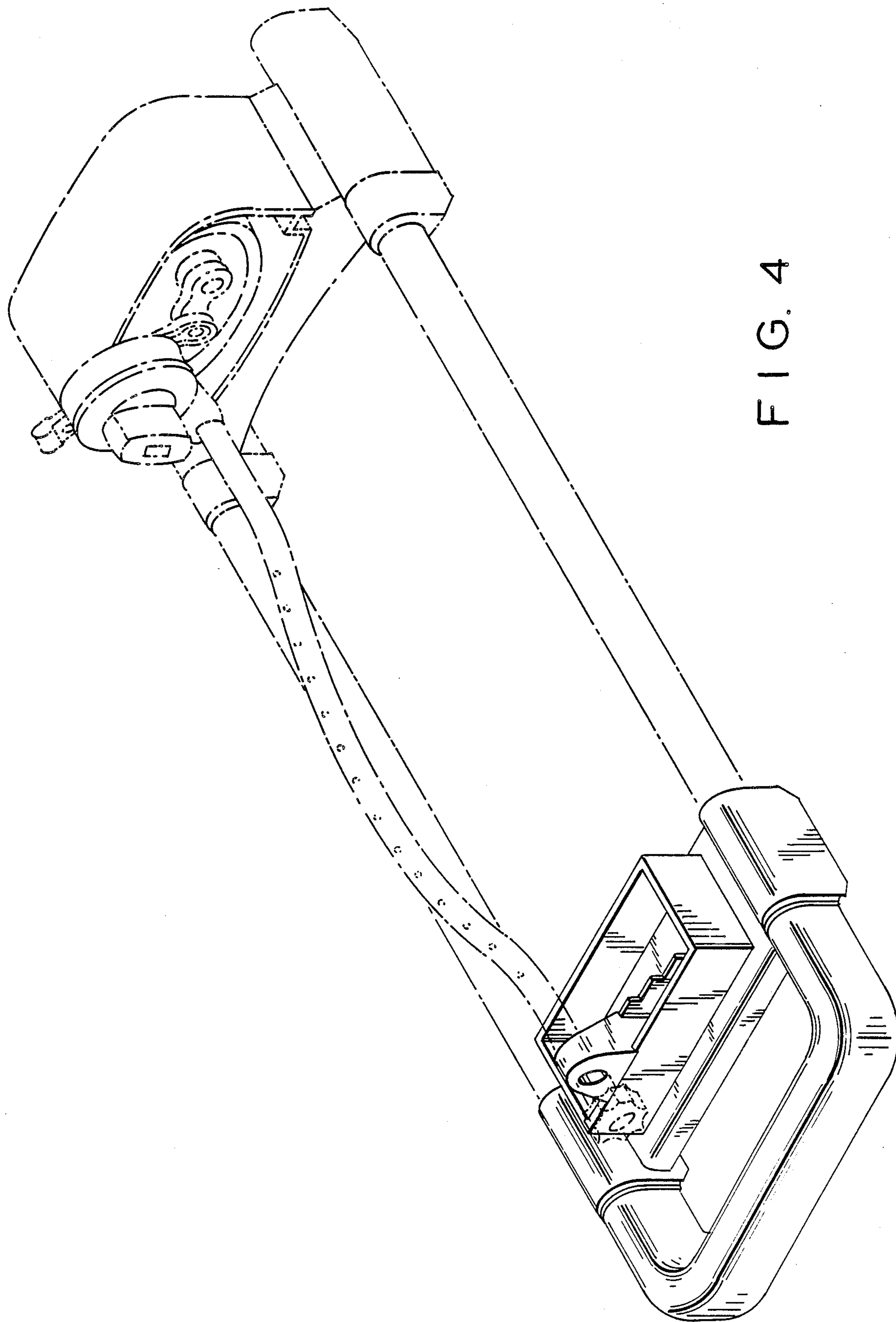


FIG. 4