

United States Patent [19]

Cunning

[11] Patent Number: Des. 296,229

[45] Date of Patent: ** Jun. 14, 1988

[54] COMBINED HEAD AND HANDLE
ASSEMBLY FOR A TANK-TYPE GARDEN
SPRAYER

[75] Inventor: Joseph M. Cunning, Cohasset, Mass.

[73] Assignee: Blue Mountain Products, Inc., Utica,
N.Y.

[**] Term: 14 Years

[21] Appl. No.: 804,494

[22] Filed: Dec. 4, 1985

[52] U.S. Cl. D23/214; D23/226

[58] Field of Search D23/213, 223, 225-226;
239/200, 288, 288.3, 302, 310, 315, 333, 337,
525-526, DIG. 23; 215/1 R, 1 C; D9/349, 352

[56] References Cited

U.S. PATENT DOCUMENTS

D. 251,381 3/1979 Reed D23/225 X
D. 258,760 3/1981 Docken D23/225

D. 282,770 2/1986 Tada D23/224
D. 289,675 5/1987 Beal et al. D23/225
4,491,254 1/1985 Viets et al. 239/315 X

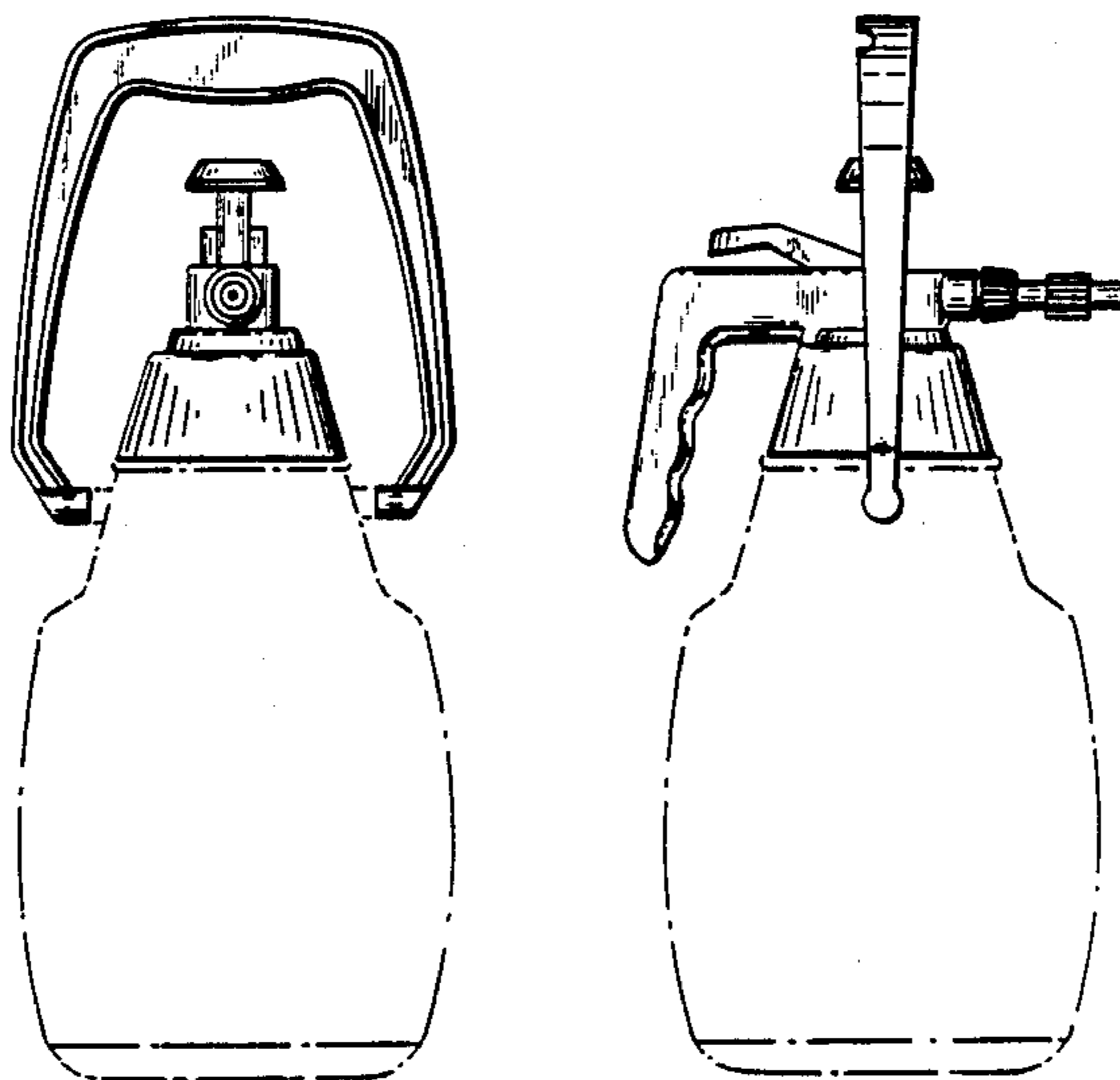
Primary Examiner—Wallace R. Burke
Assistant Examiner—Brian N. Vinson

[57] CLAIM

The ornamental design for a combined head and handle assembly for a tank-type garden sprayer, as shown and described.

DESCRIPTION

FIG. 1 is a top plan view of a combined head and handle assembly for a tank-type garden sprayer;
FIG. 2 is a front elevational view thereof;
FIG. 3 is a side elevational view thereof, the side opposite being a mirror image;
FIG. 4 is a rear elevational view thereof; and
FIG. 5 is a bottom plan view thereof.
The broken line showing of the tank in FIGS. 1-5 is for illustrative purposes only and forms no part of the claimed design.



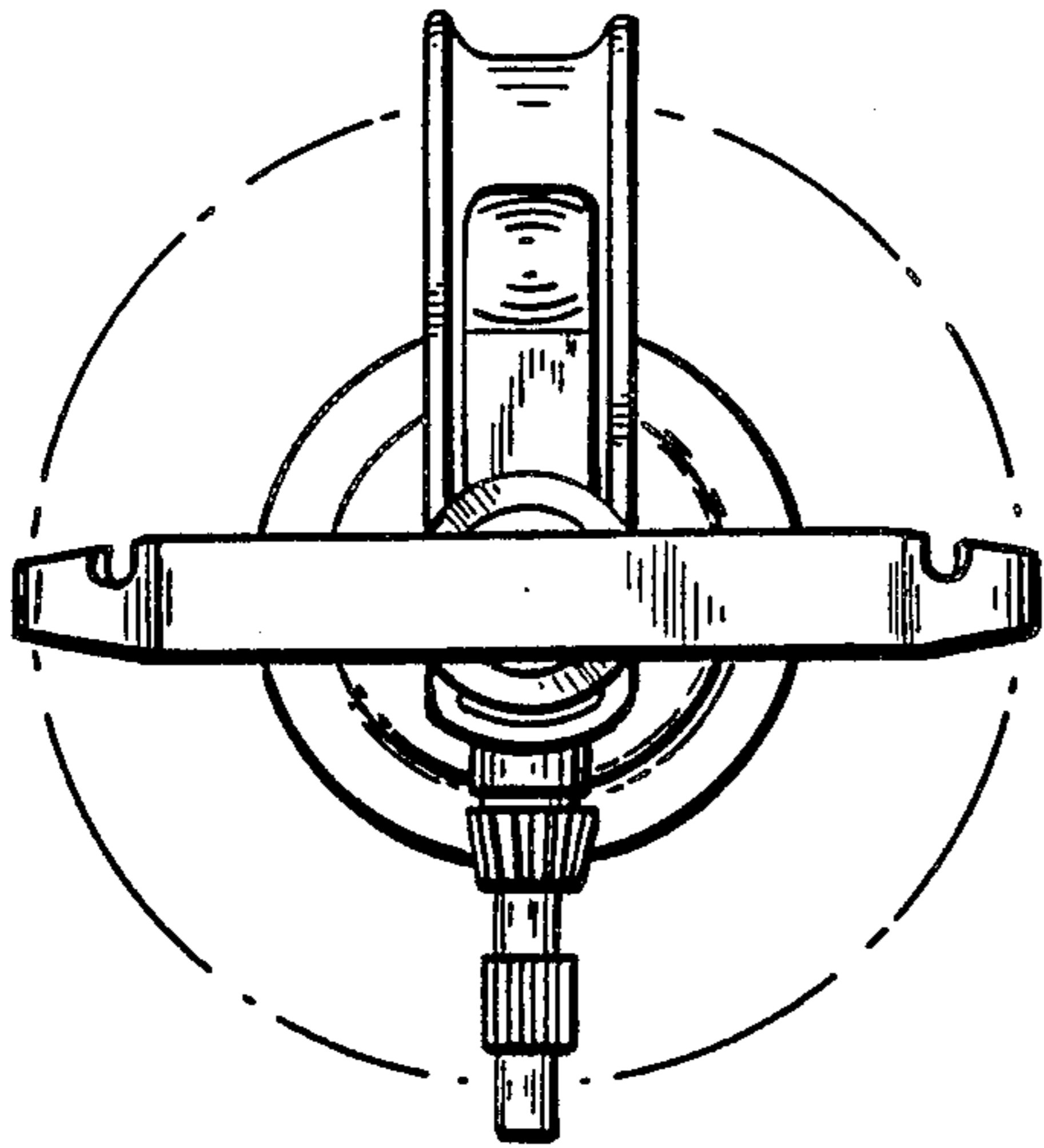


FIG. 1

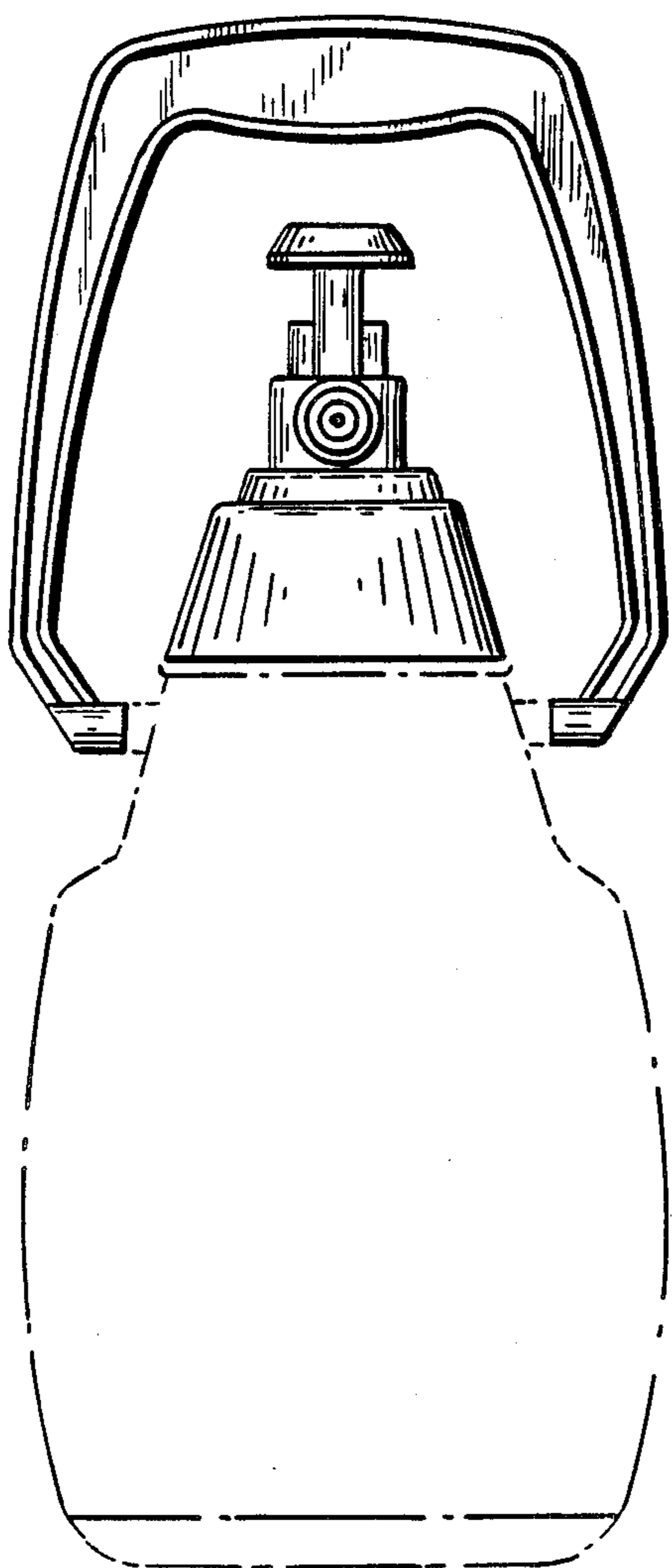


FIG. 2

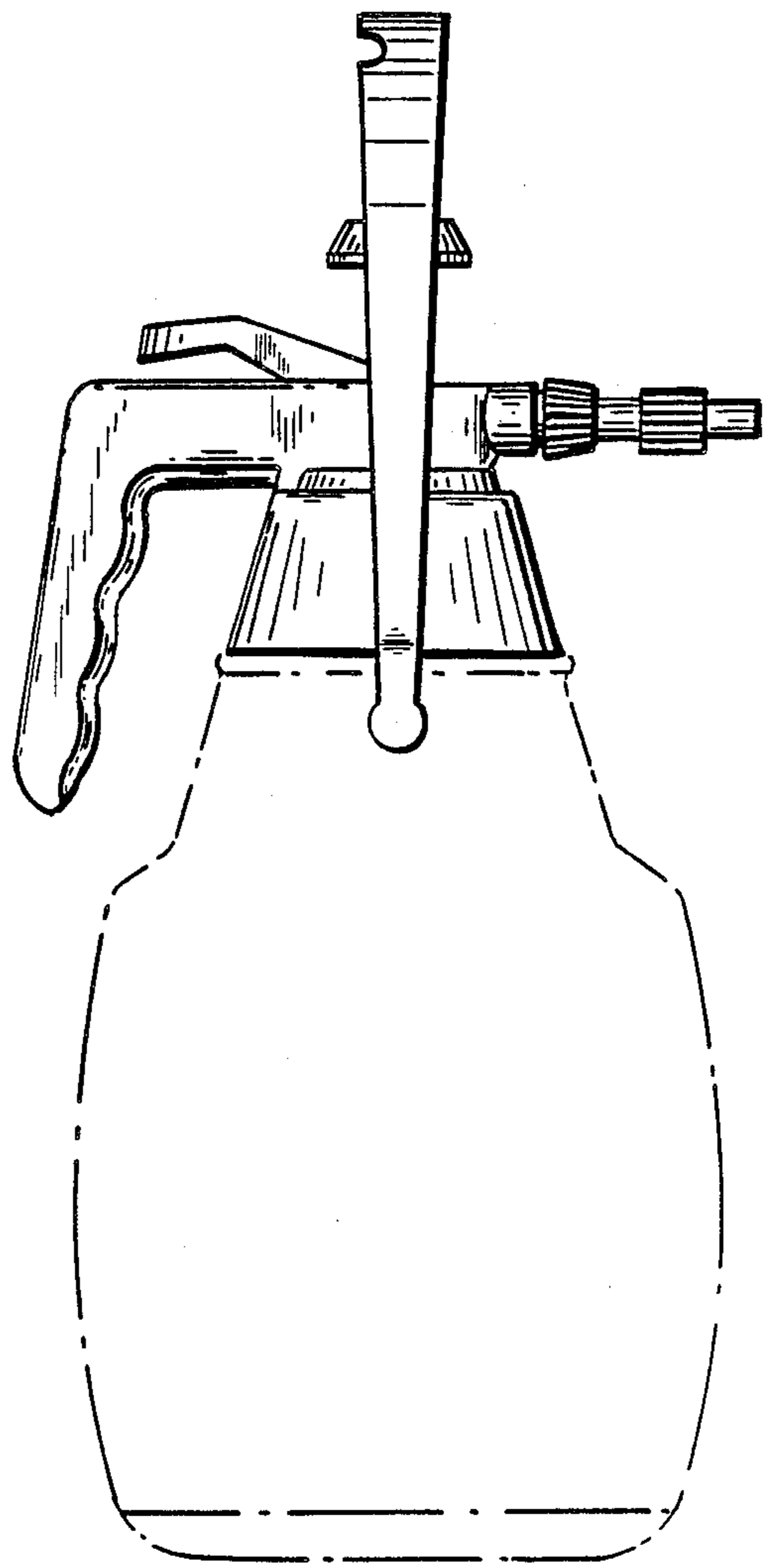


FIG. 3

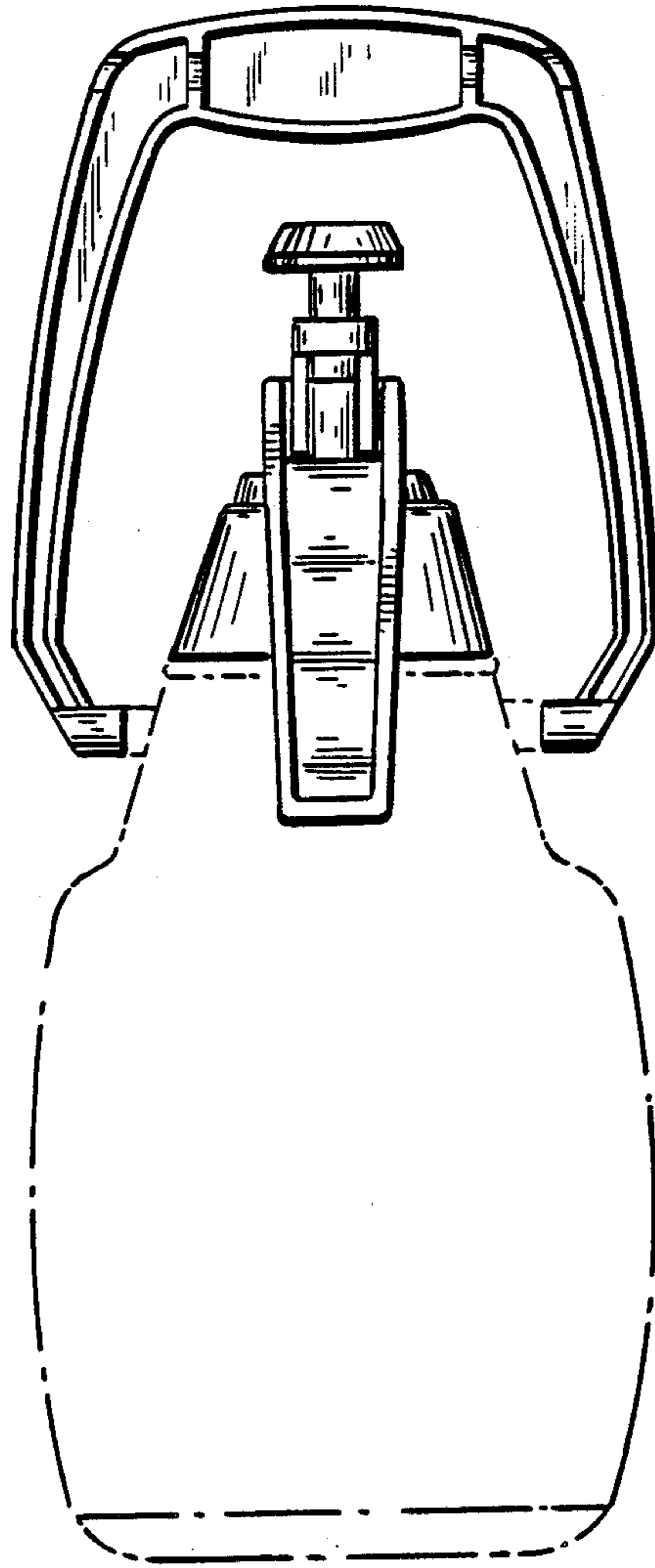


FIG. 4

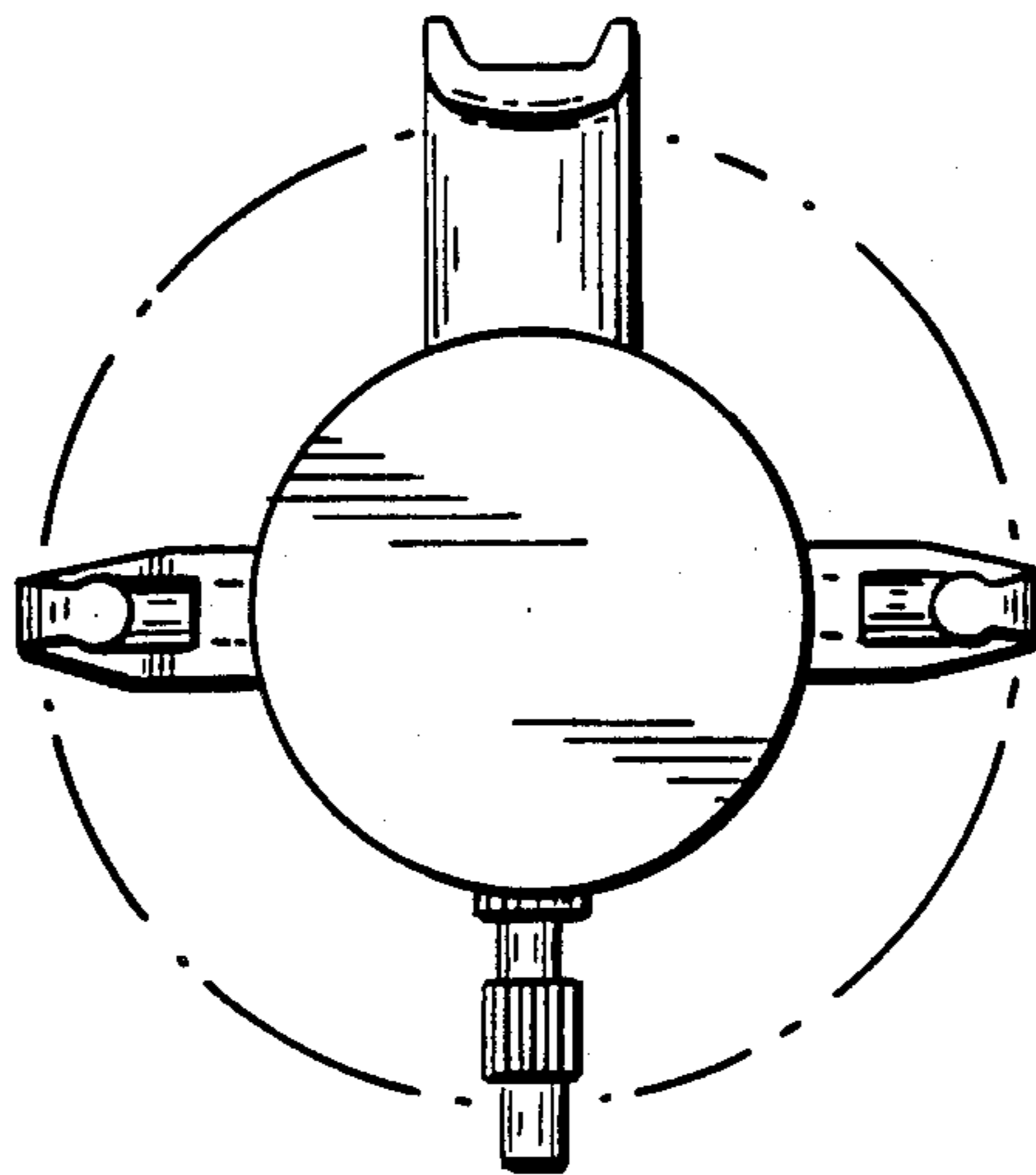


FIG. 5