

[54] ELECTROSTATIC SPRAY GUN EXTENSION TUBE

[75] Inventor: Charles M. McDonough, Stamford, Conn.

[73] Assignee: PCF Group, Inc., Stamford, Conn.

[\*\*] Term: 14 Years

[21] Appl. No.: 900,354

[22] Filed: Aug. 25, 1986

[52] U.S. Cl. .... D23/213

[58] Field of Search ..... D23/213-214, D23/223, 226, 229; 239/690, 695, 697, 706, 602

[56] References Cited

U.S. PATENT DOCUMENTS

3,111,273 11/1963 Mei ..... 239/527 X

3,512,502 5/1970 Drum ..... 239/695 X  
4,114,564 9/1978 Probst ..... 239/697 X

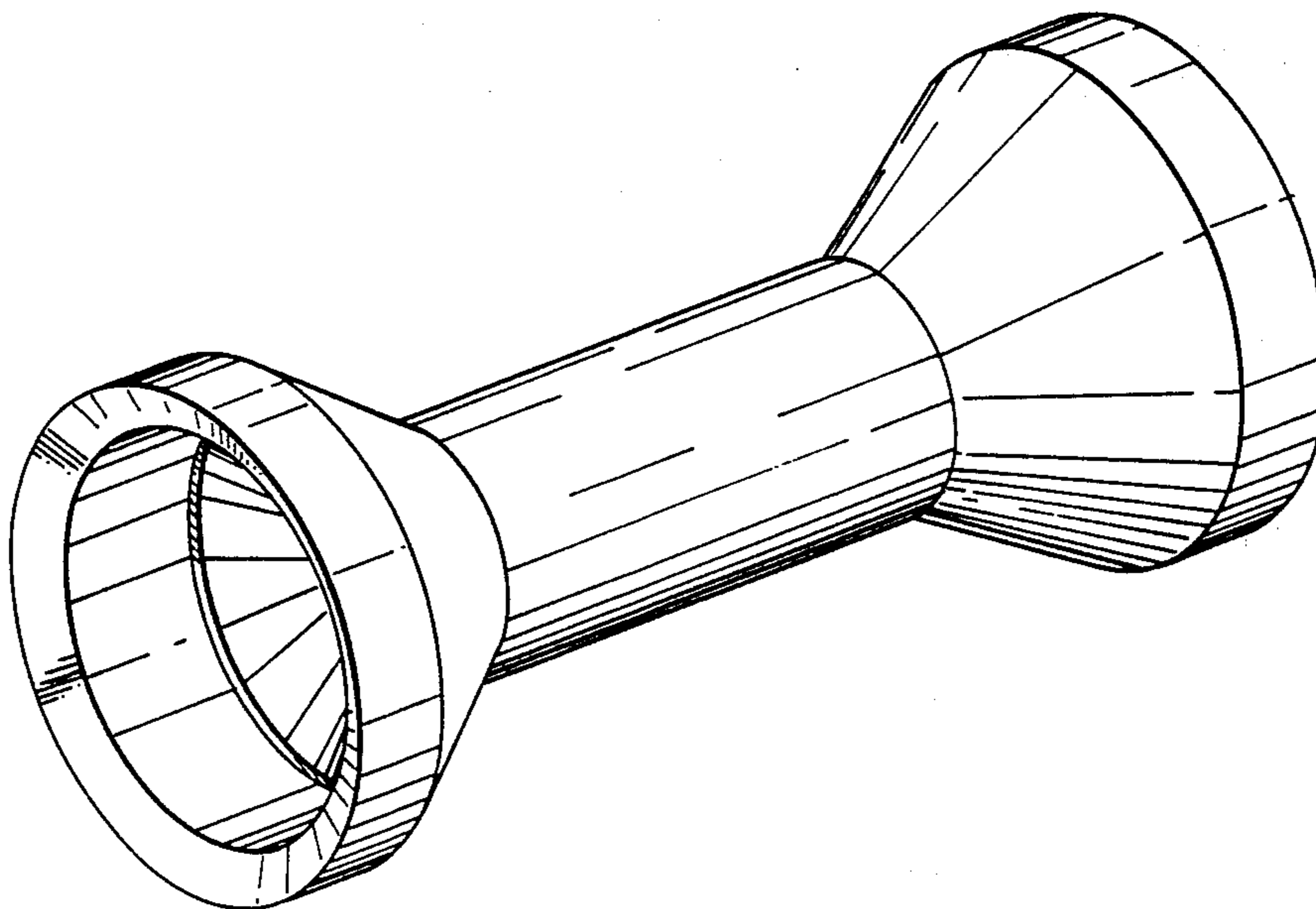
Primary Examiner—Wallace R. Burke  
Assistant Examiner—Brian N. Vinson  
Attorney, Agent, or Firm—Kramer, Brufsky & Cifelli

[57] CLAIM

The ornamental design for an electrostatic spray gun extension tube, as shown and described.

DESCRIPTION

FIG. 1 is an end perspective view of an electrostatic spray gun extension tube showing my new design; FIG. 2 is a side perspective view thereof; FIG. 3 is a side elevational view thereof, the opposite and adjacent sides being identical in appearance; and FIG. 4 is an end elevational view thereof, the opposite end being substantially similar in appearance.



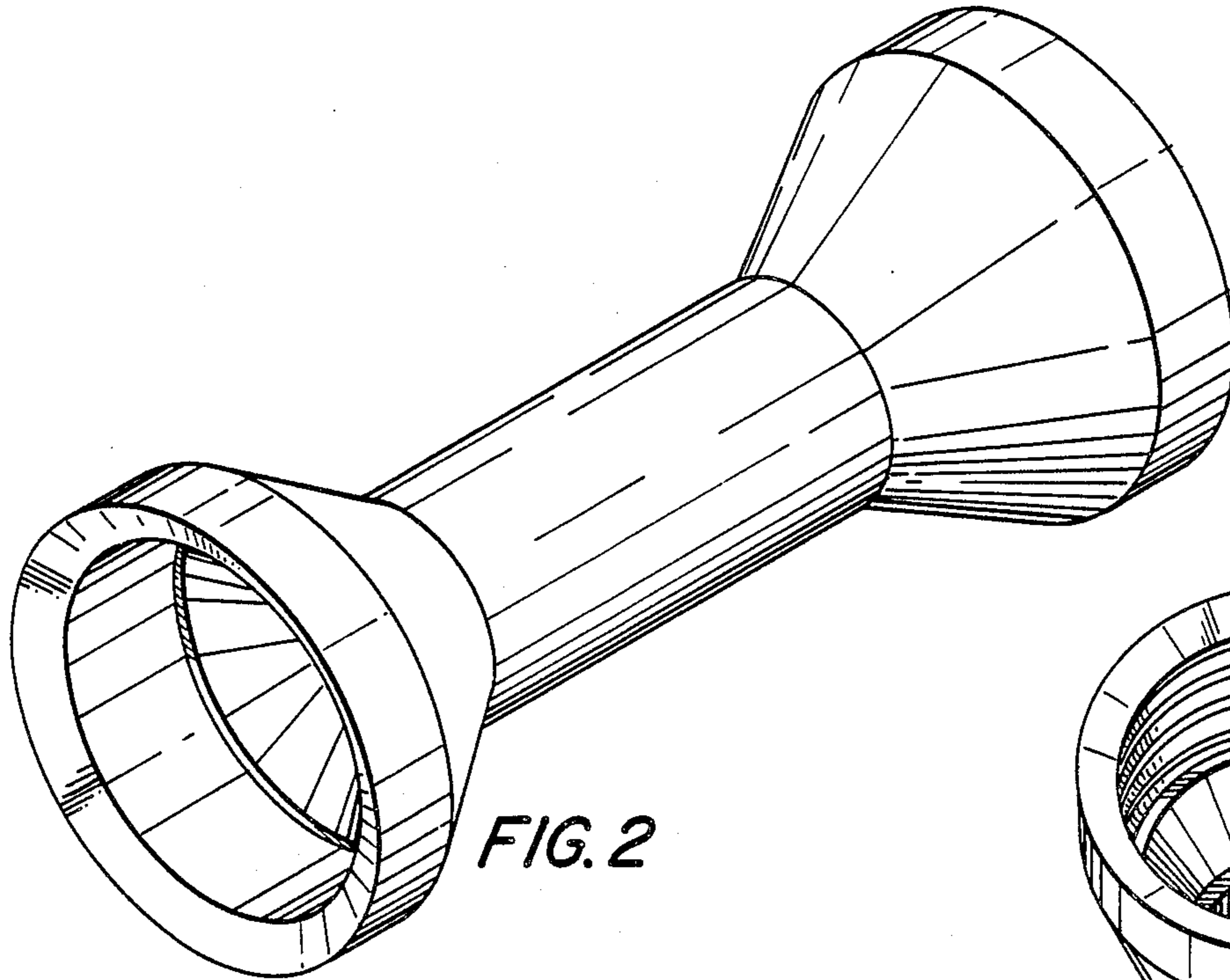


FIG. 2

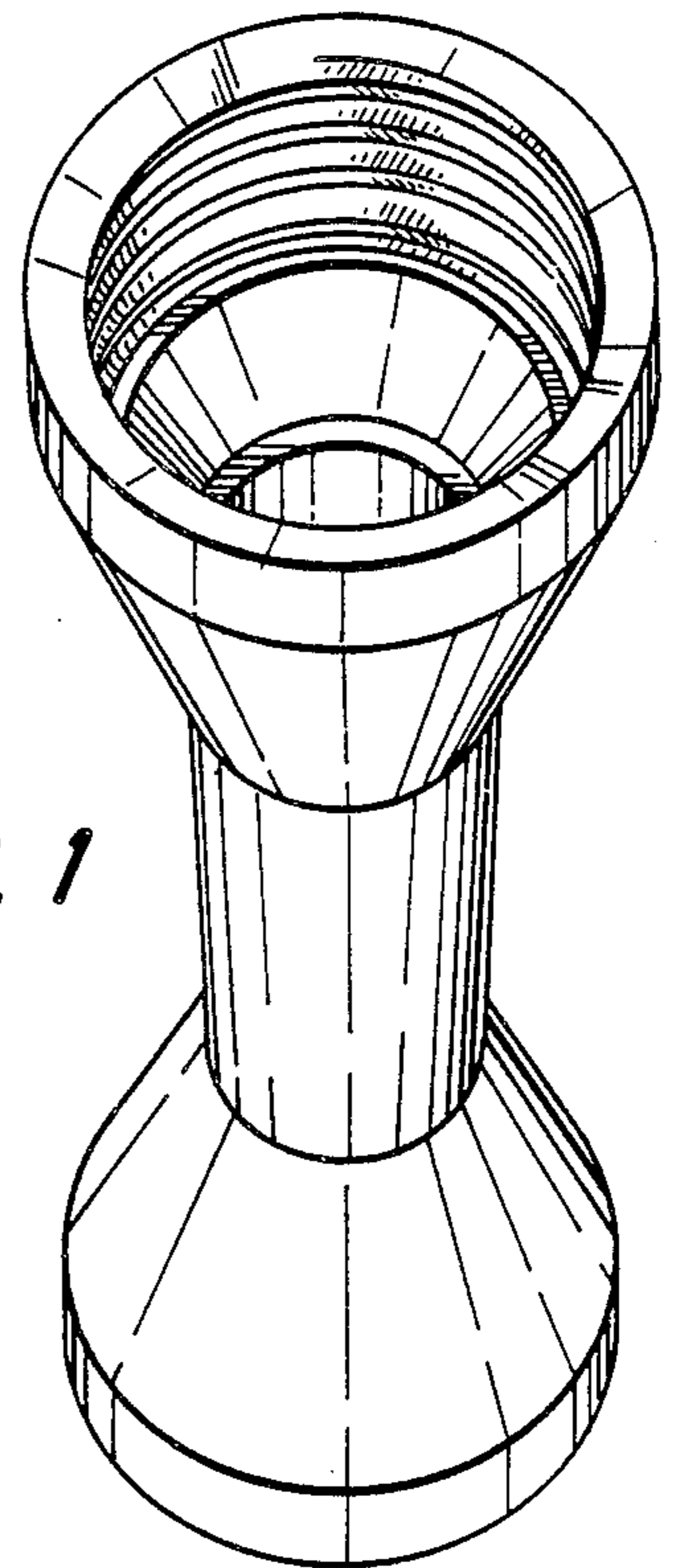


FIG. 1

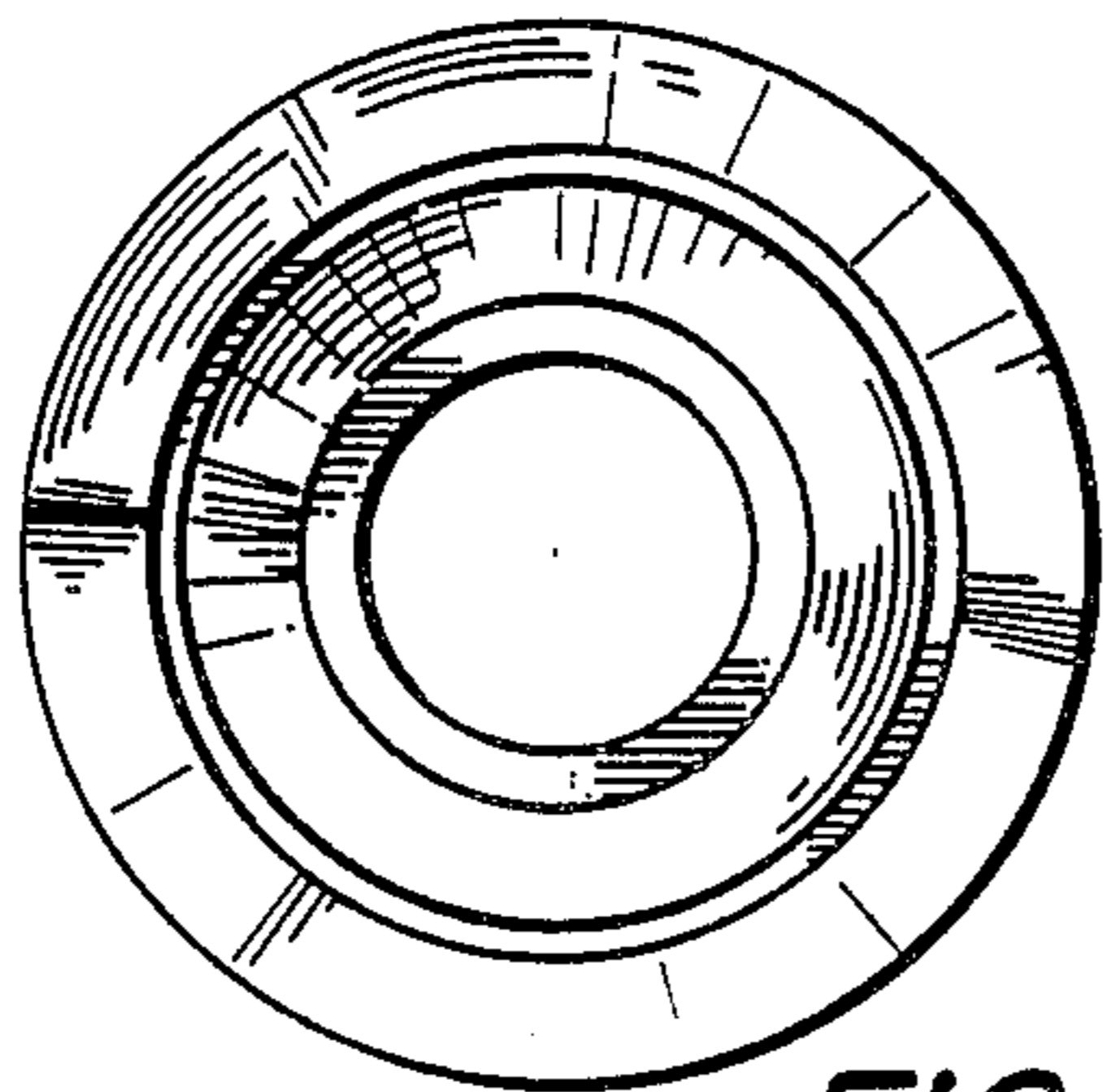


FIG. 4

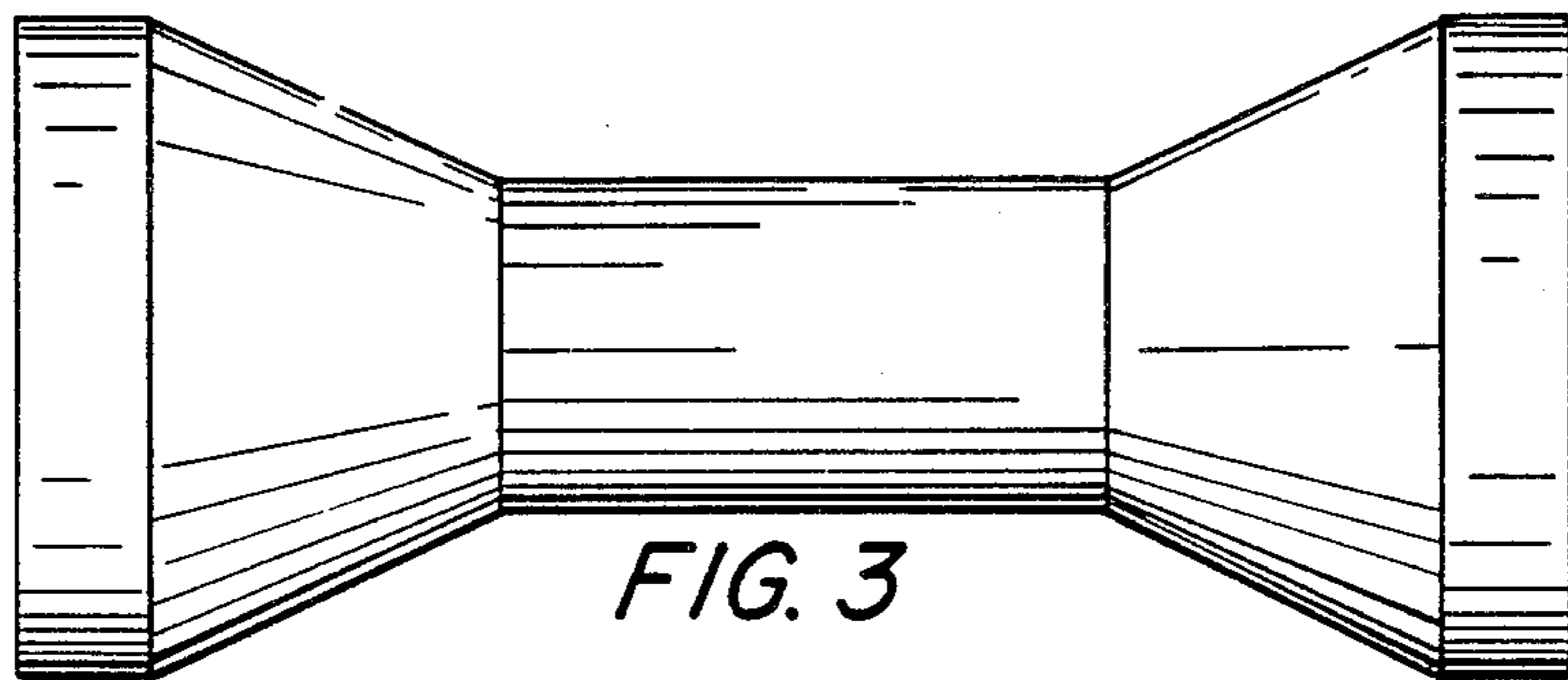


FIG. 3