

[54] REAR SIGHT FOR A PISTOL

[76] Inventor: Wayne F. Novak, 1206-1/2 30th St.,
P.O. Box 4045, Parkersburg, W. Va.
26102

[**] Term: 14 Years

[21] Appl. No.: 814,787

[22] Filed: Dec. 30, 1985

[52] U.S. Cl. D22/109

[58] Field of Search 42/100; D22/109, 104;
33/233

[56] References Cited

U.S. PATENT DOCUMENTS

D. 247,856 5/1978 Korzenieski D22/109
4,304,061 12/1981 Brouthers D22/104 X

OTHER PUBLICATIONS

Brownells 1985 Catalog, p. 16.

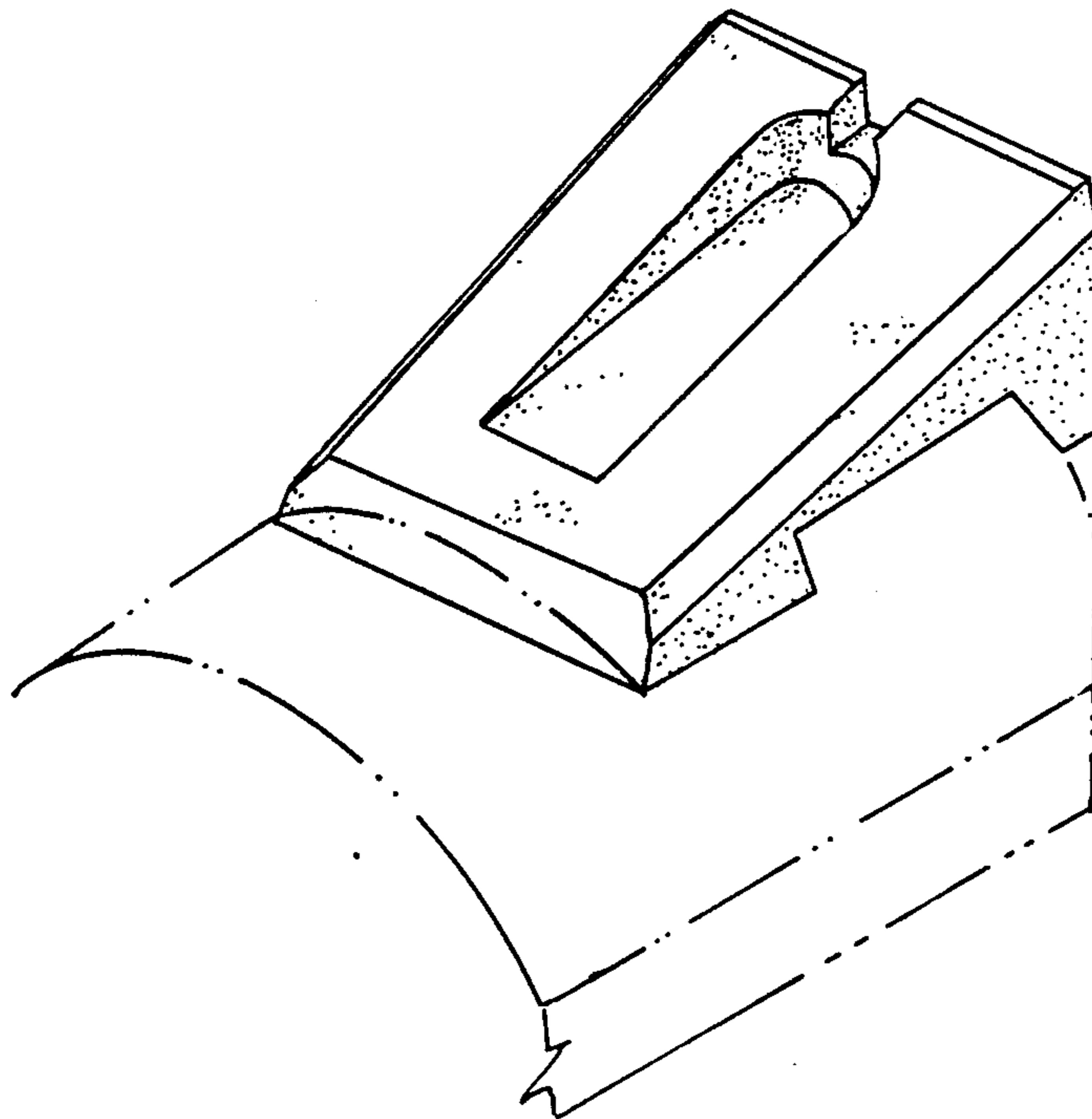
Primary Examiner—A. Hugo Word
Attorney, Agent, or Firm—Polster, Polster and Lucchesi

[57] CLAIM

The ornamental design for rear sight for a pistol, as shown and described.

DESCRIPTION

FIG. 1 is a view in perspective showing my decorative design for a rear sight for a pistol, the slide shown in phantom lines forming no part of my design; FIG. 2 is a top plan view thereof; FIG. 3 is a view in rear elevation thereof; FIG. 4 is a view in front elevation thereof; FIG. 5 is a view in right side elevation thereof, the left side elevation being a mirror image thereof; and FIG. 6 is a bottom plan view.



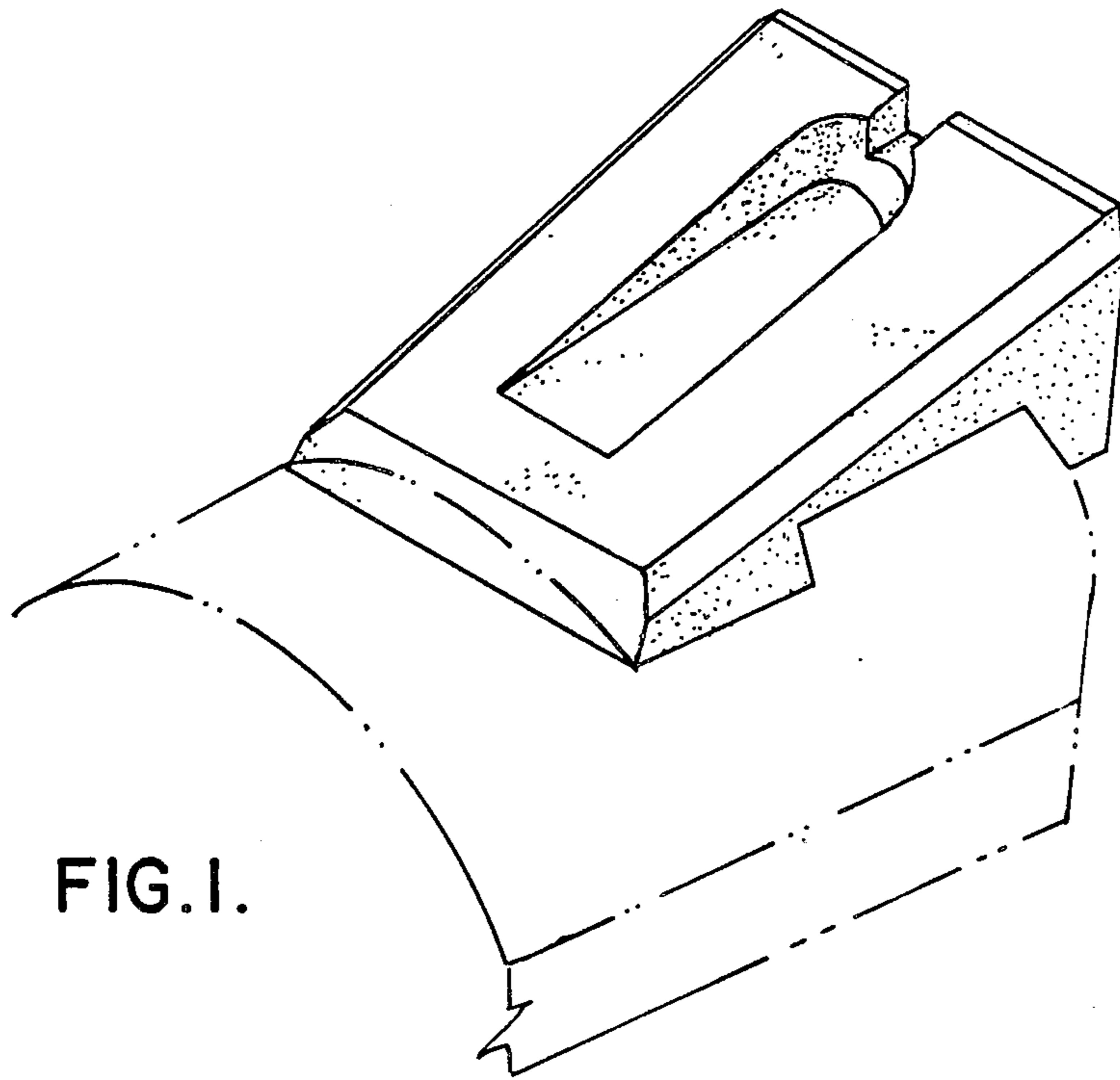


FIG. 1.

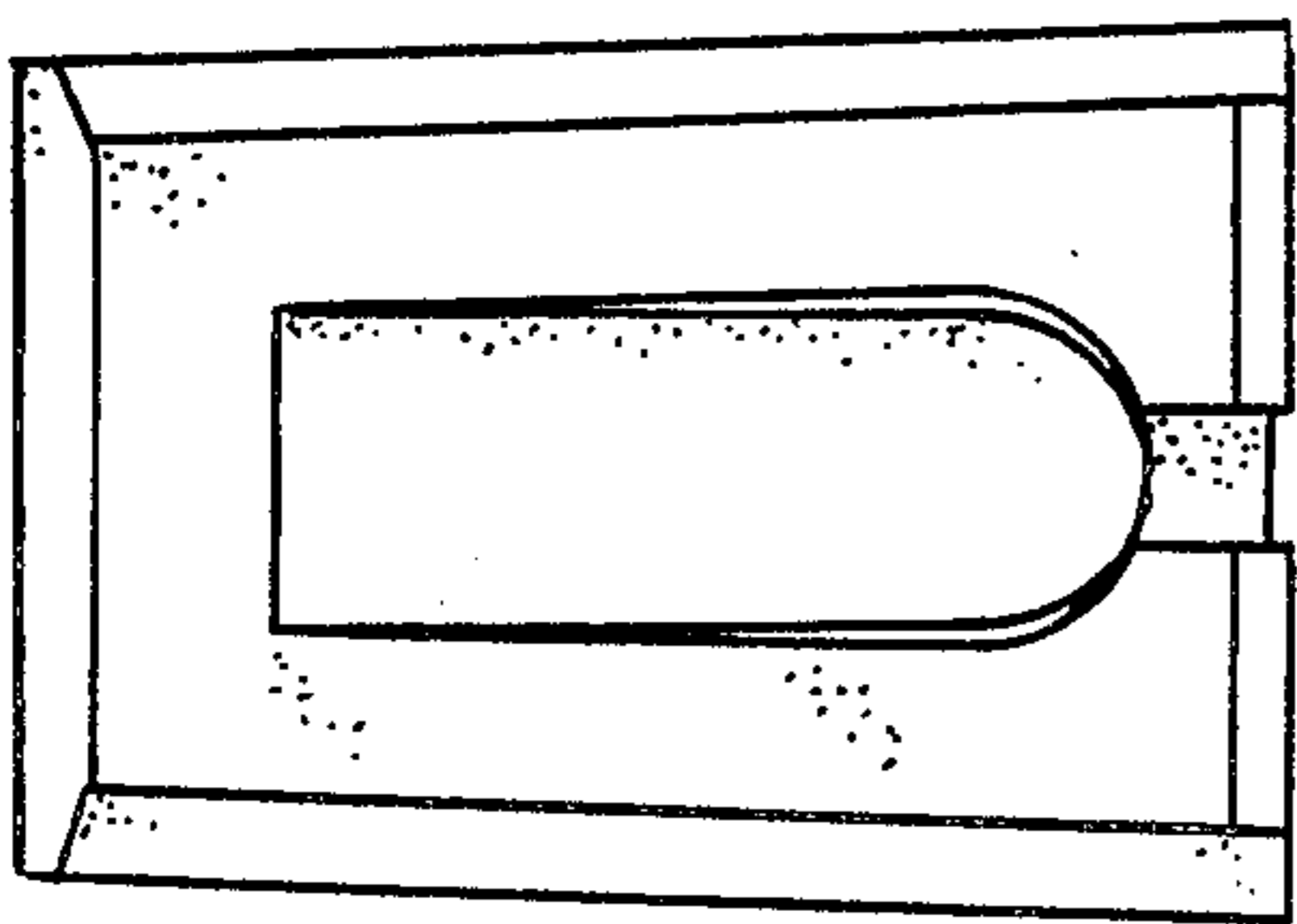


FIG. 2.

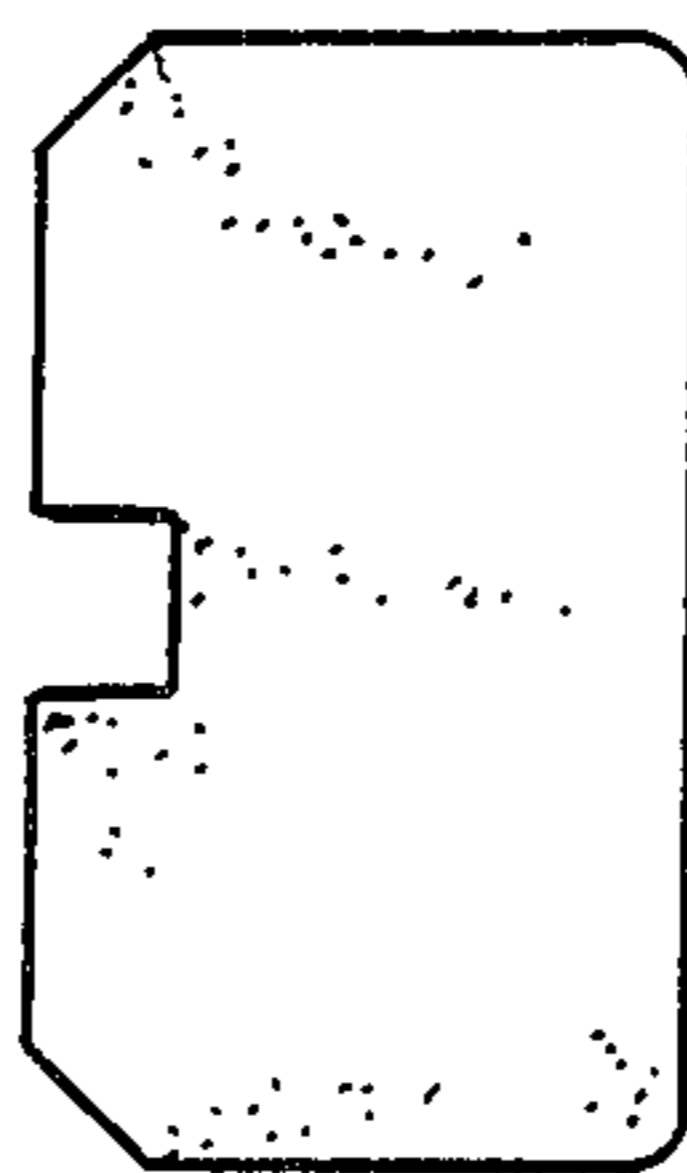


FIG. 3.



FIG. 4.

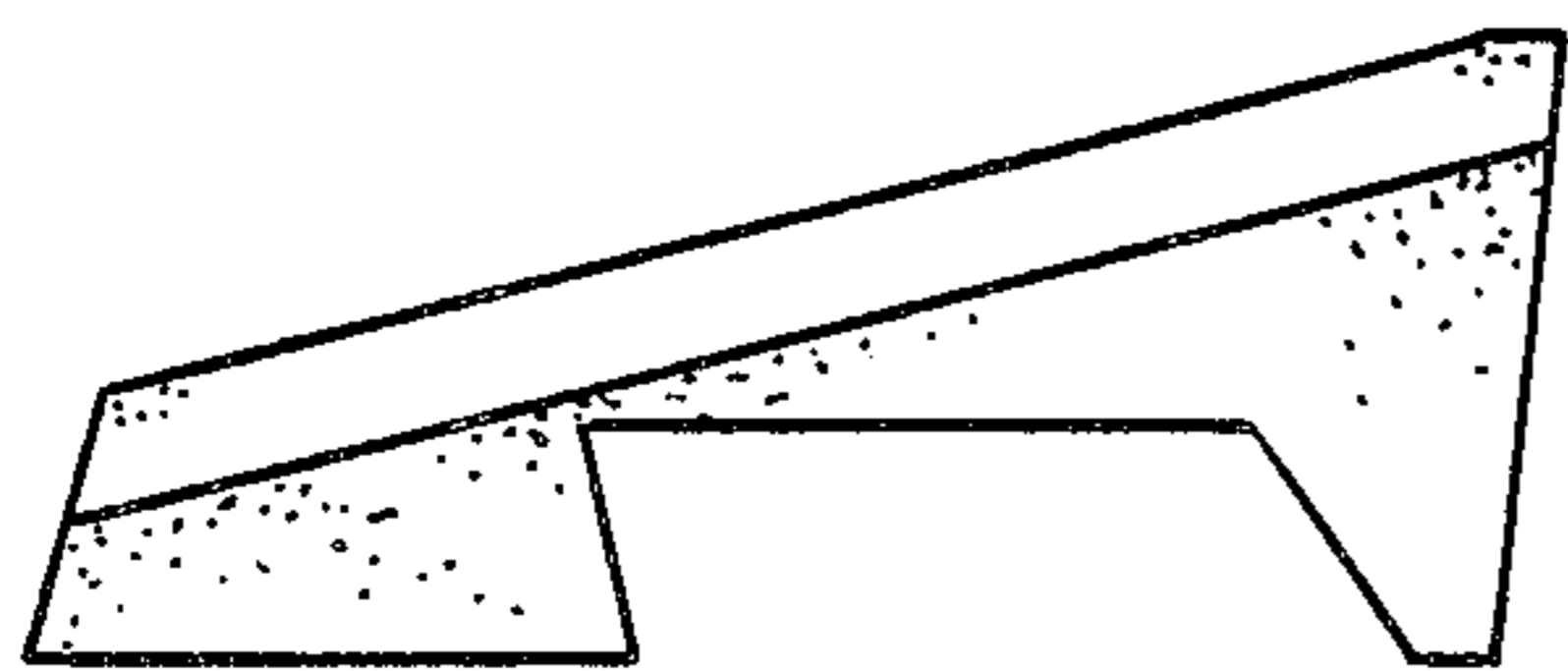


FIG. 5.

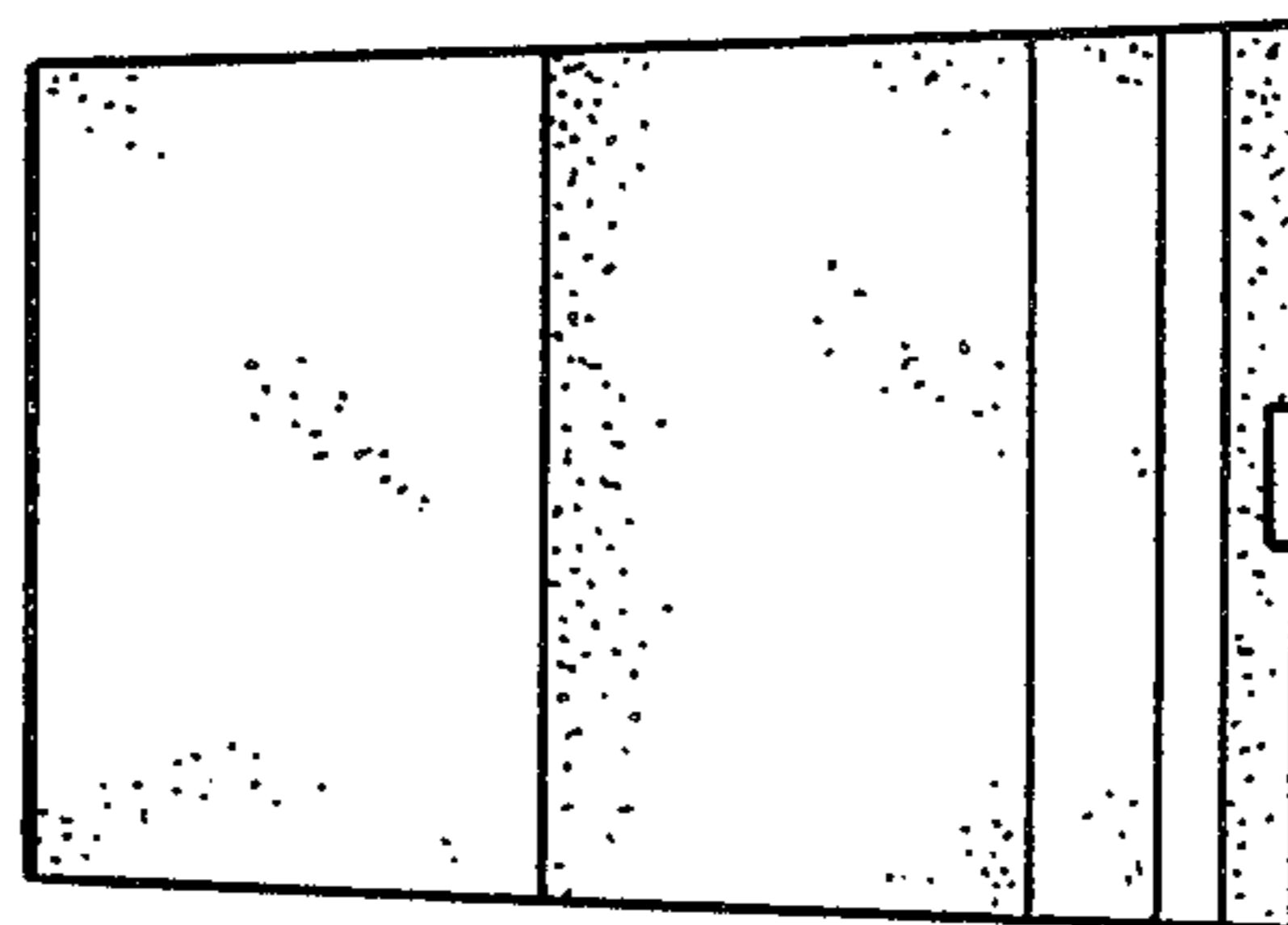


FIG. 6.