

United States Patent [19]

LeBleu

[11] Patent Number: Des. 296,226

[45] Date of Patent: ** Jun. 14, 1988

[54] FISHING GUN

[75] Inventor: Terry L. LeBleu, San Antonio, Tex.

[73] Assignee: Jerry W. Jones, San Antonio, Tex.

[**] Term: 14 Years

[21] Appl. No.: 766,546

[22] Filed: Aug. 19, 1985

[52] U.S. Cl. D22/102; D22/137

[58] Field of Search D22/100, 102, 134, 138,
D22/139, 137

[56] References Cited

U.S. PATENT DOCUMENTS

D. 179,093 10/1956 Pratt D22/102

D. 267,580 1/1983 Price D22/138
2,852,015 9/1958 Logan D22/102 X

Primary Examiner—A. Hugo Word
Attorney, Agent, or Firm—John C. Stahl

[57] CLAIM

The ornamental design for a fishing gun, as shown.

DESCRIPTION

FIG. 1 is a right side elevational view of a fishing gun, showing my new design.

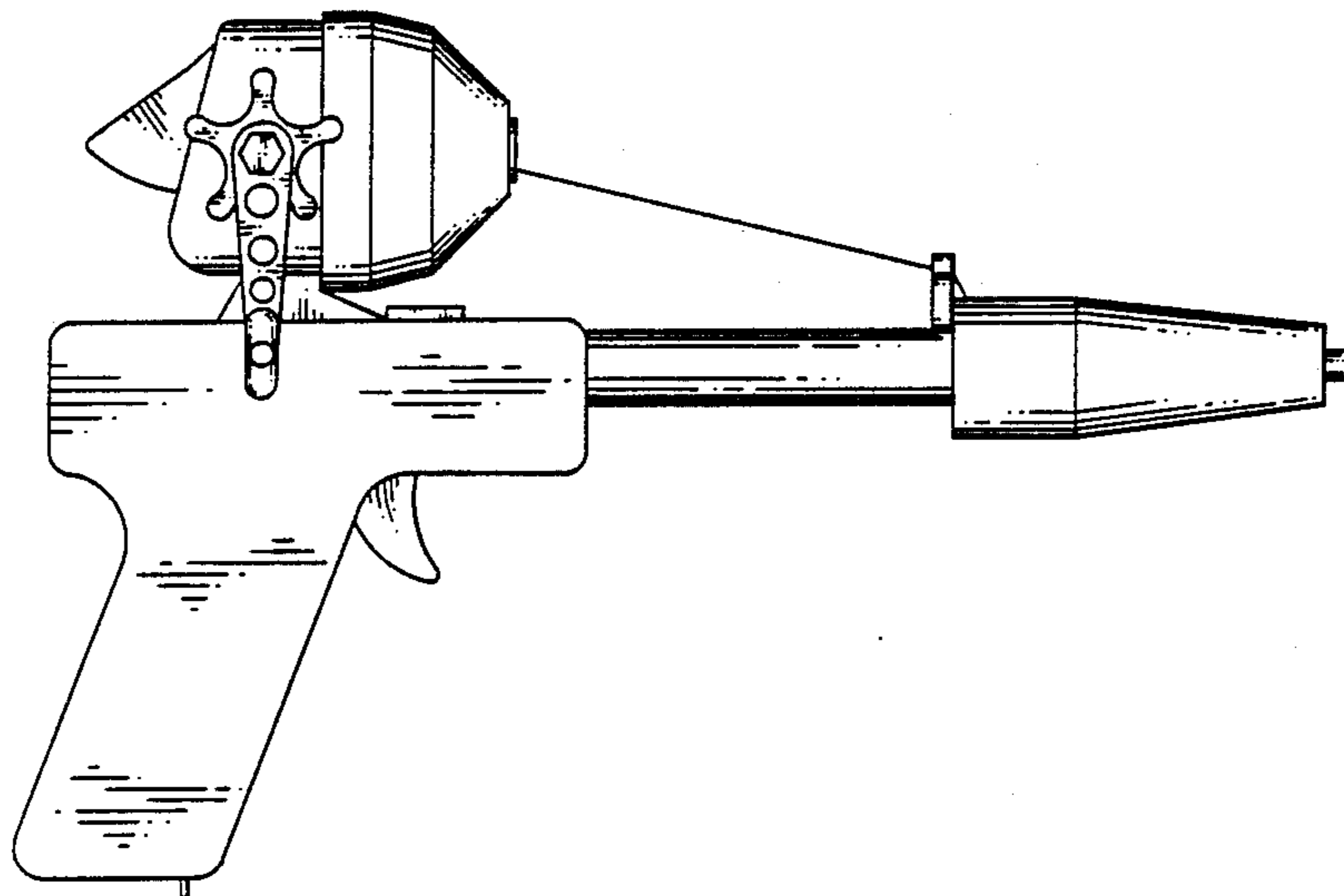
FIG. 2 is a top plan view of FIG. 1.

FIG. 3 is a bottom plan view of FIG. 1.

FIG. 4 is a left side elevational view of FIG. 1.

FIG. 5 is a front end view of FIG. 1; and

FIG. 6 is a rear elevational view of FIG. 1.



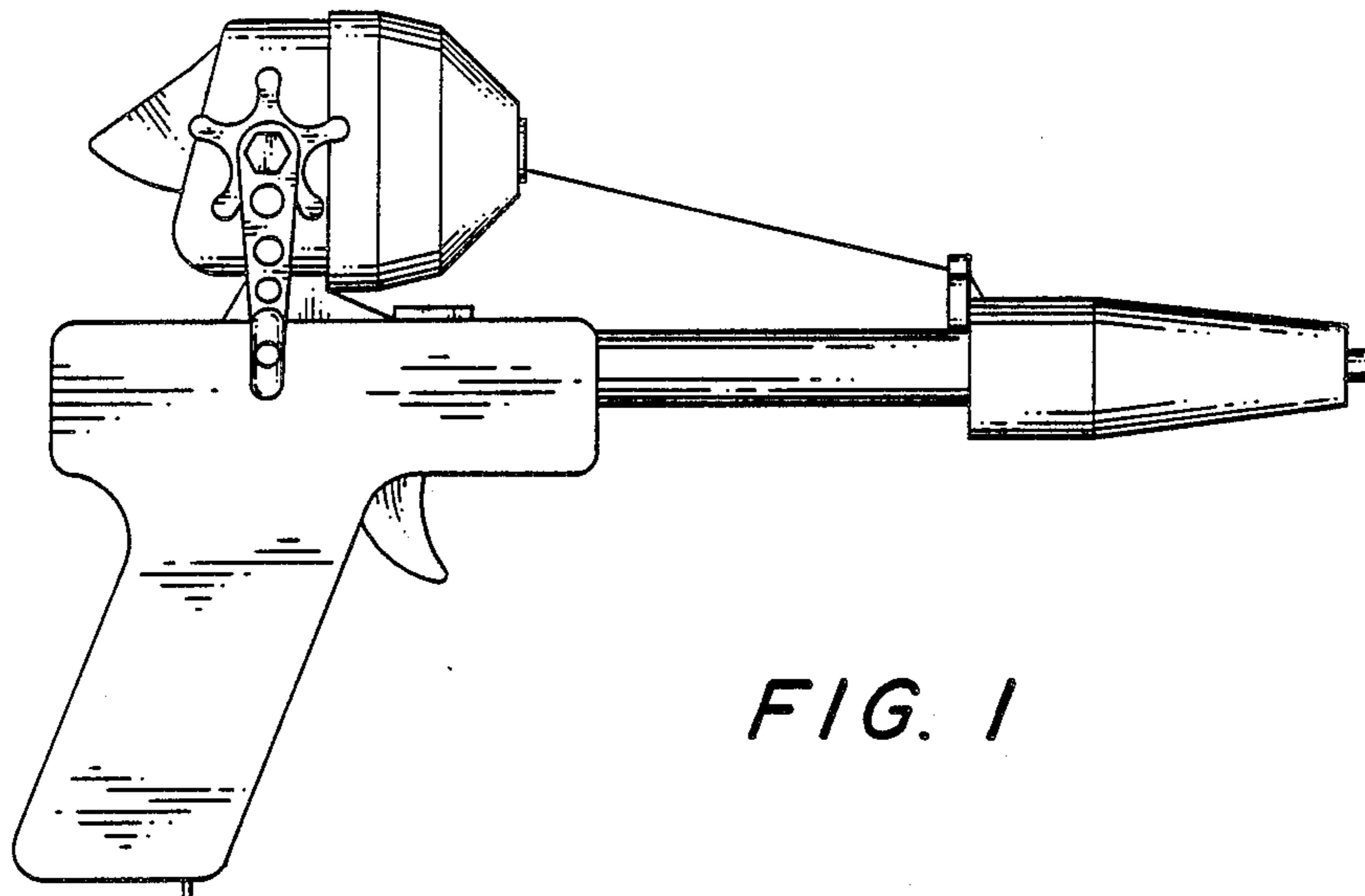


FIG. 1

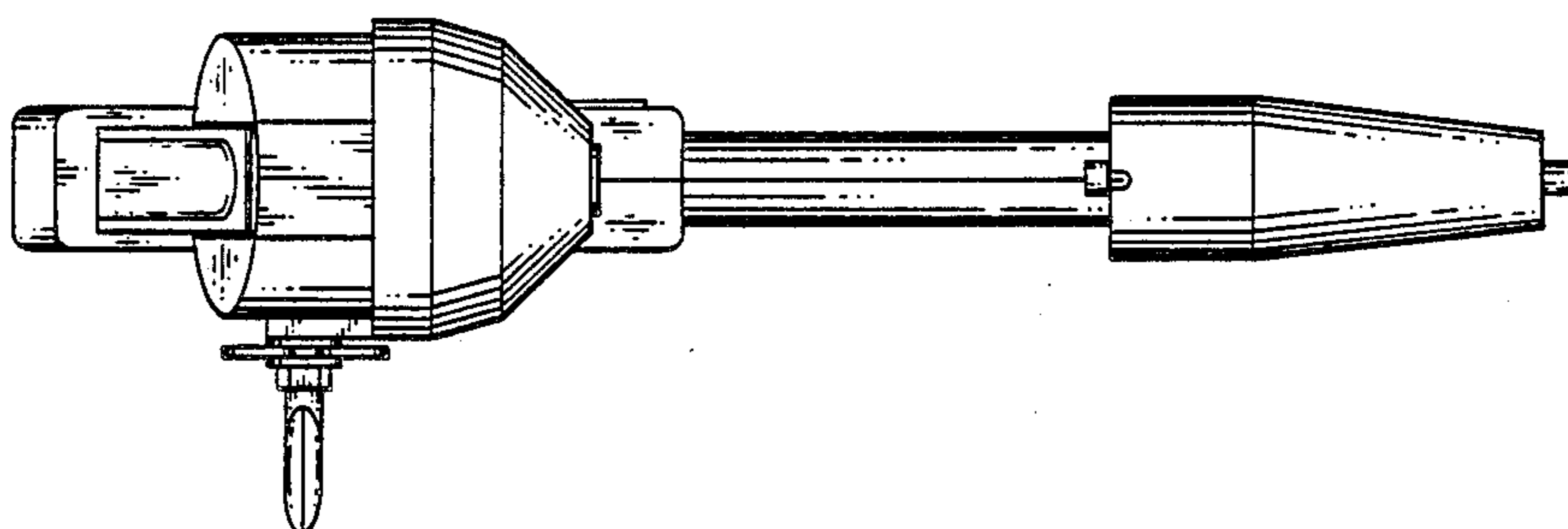


FIG. 2

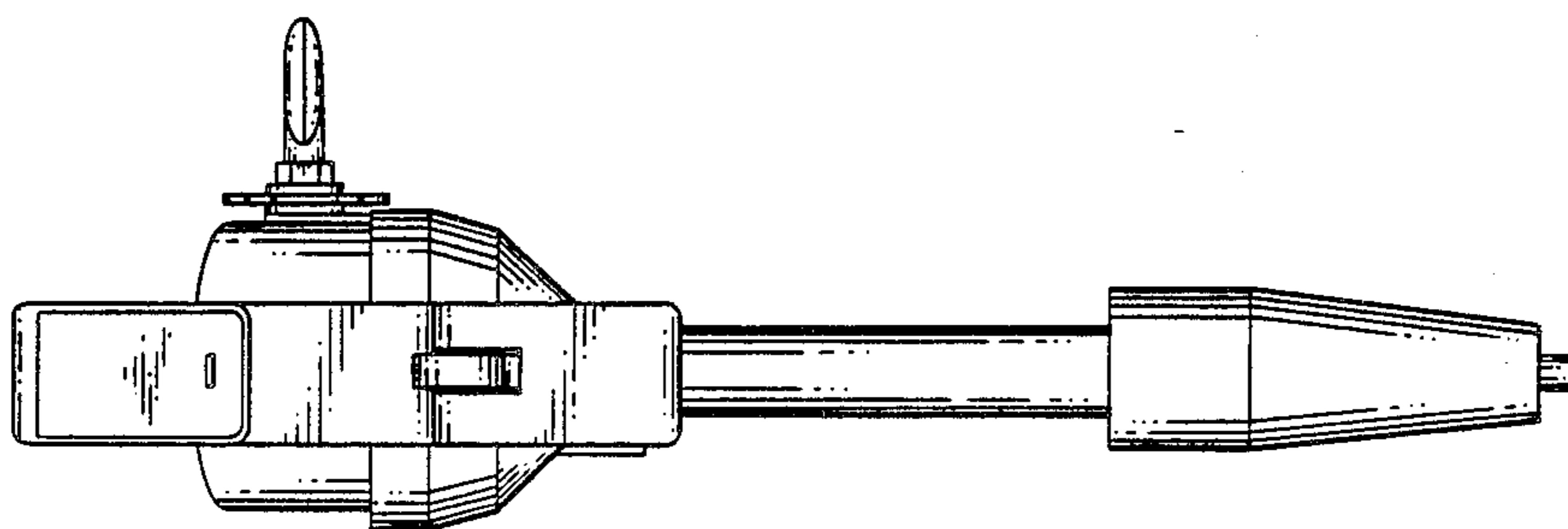


FIG. 3

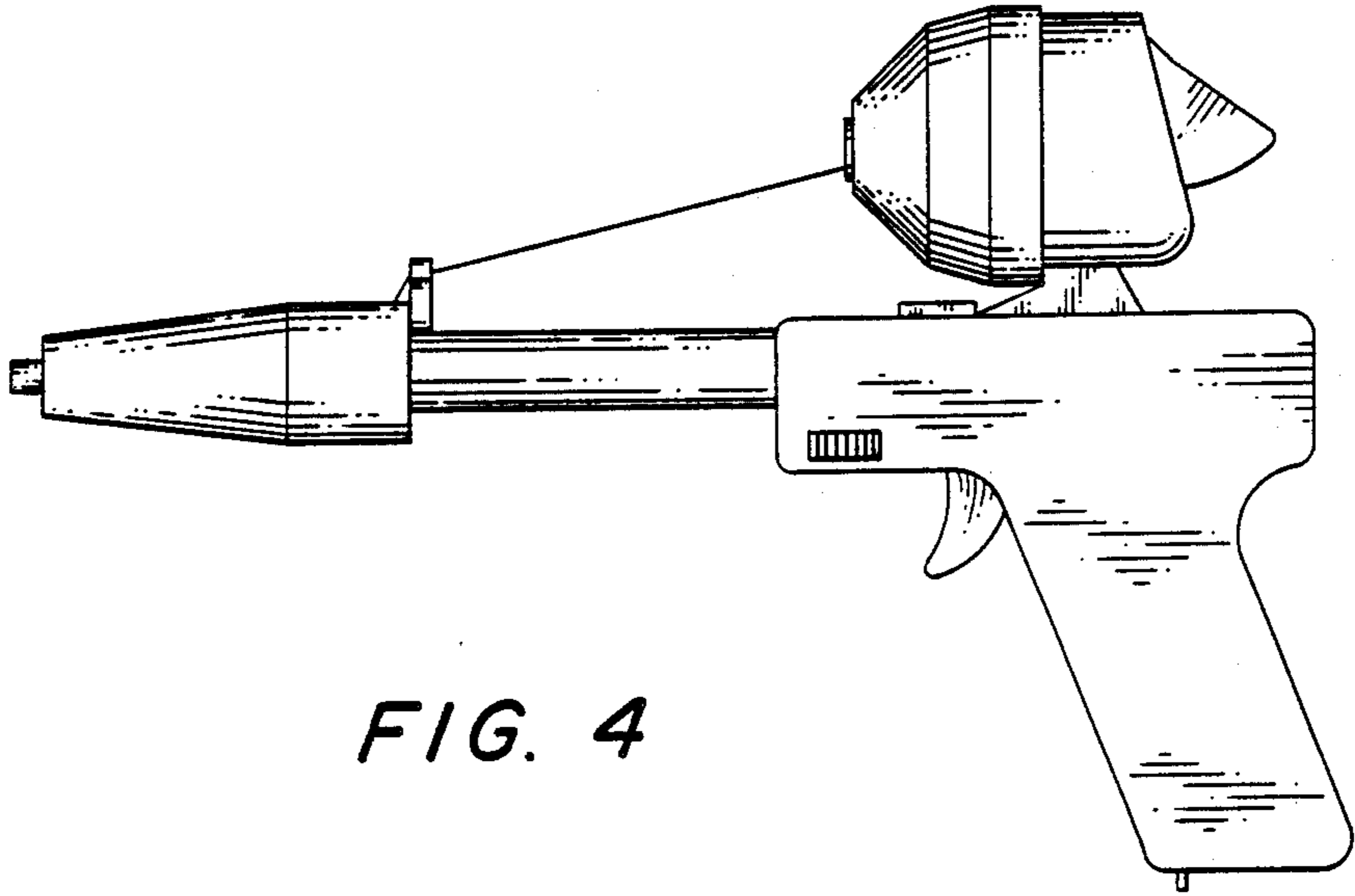


FIG. 4

FIG. 5

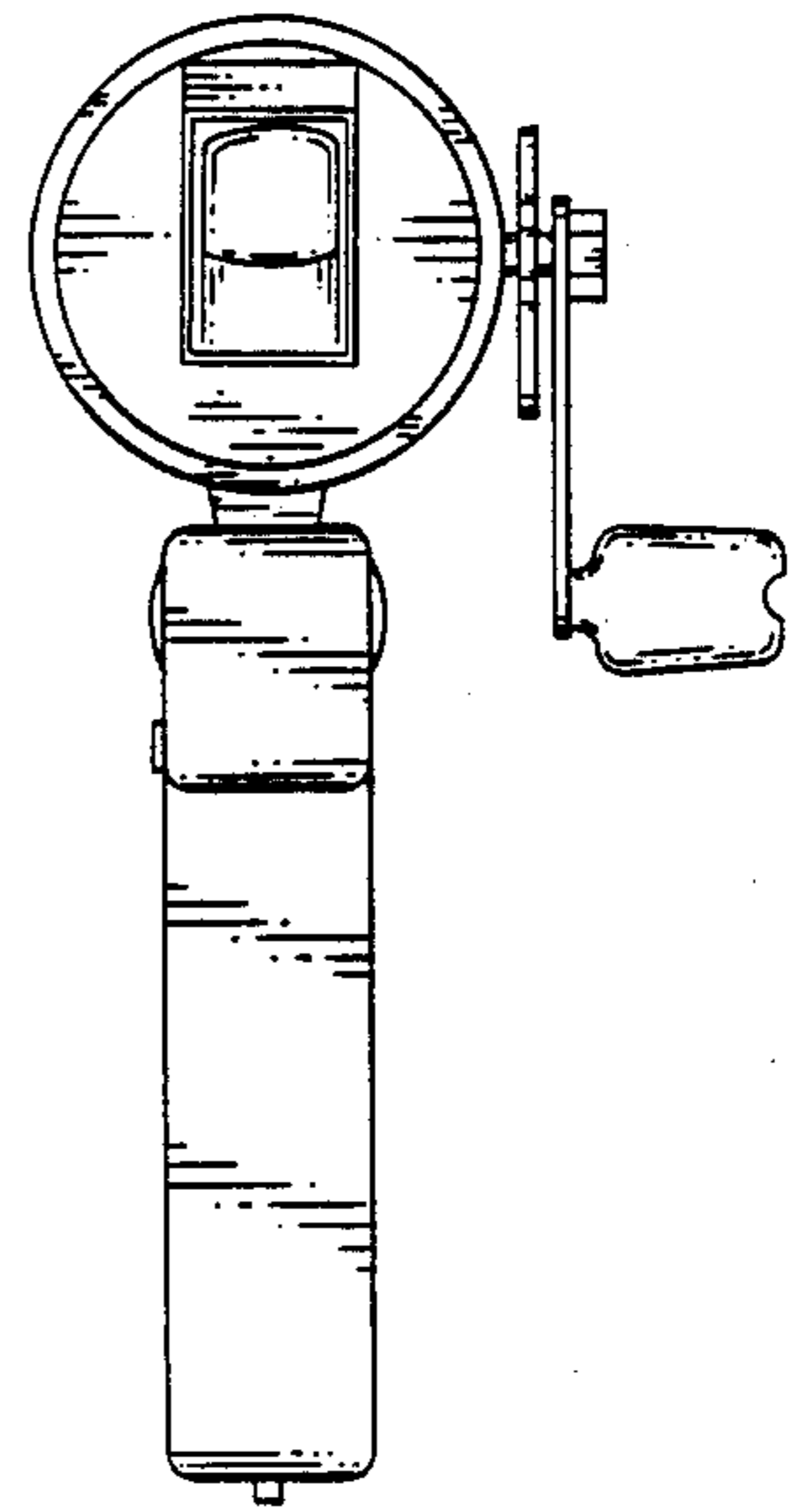
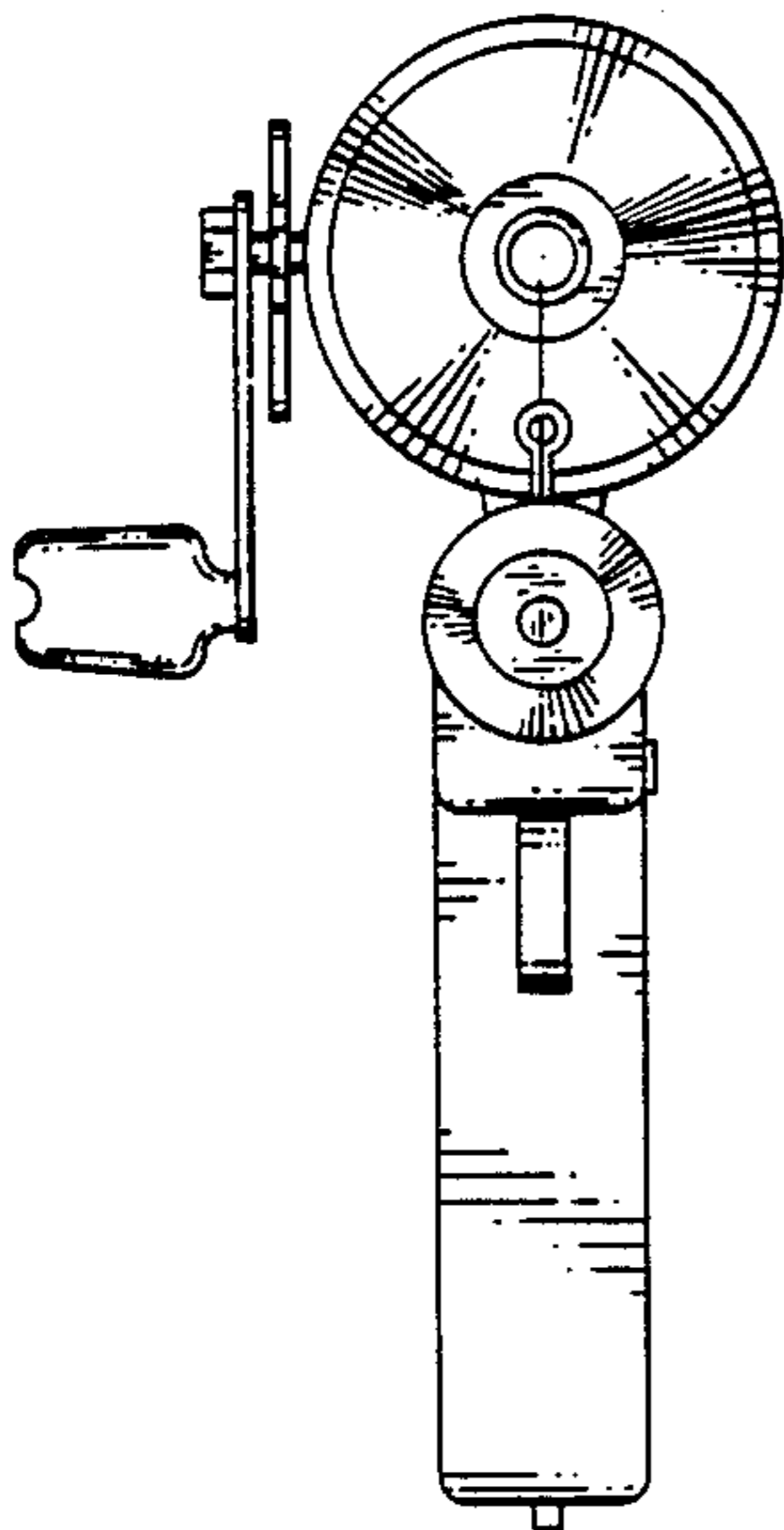


FIG. 6