

[54] SIMULATIVE PLAY TENT

D. 283,144	3/1986	Jensen	D21/87
3,820,553	6/1974	Huddle	135/102
4,404,980	9/1983	Wade	135/102

[75] Inventor: Ken K. Shimasaki, Hong Kong, Hong Kong

[73] Assignee: X.Y.Z. International Designs Limited, Winchai, Hong Kong

[**] Term: 14 Years

[21] Appl. No.: 803,391

[22] Filed: Dec. 2, 1985

[30] Foreign Application Priority Data

Oct. 9, 1985 [GB] United Kingdom 1029716

[52] U.S. Cl. D21/114

[58] Field of Search D12/320; D21/88, 87, D21/253; 135/87 R, 102

[56] References Cited

U.S. PATENT DOCUMENTS

D. 257,160 9/1980 Stears D21/87

OTHER PUBLICATIONS

Flight International 1-1972, Space Shuttle.

Primary Examiner—Charles A. Rademaker
Attorney, Agent, or Firm—Warren B. Kice

[57] CLAIM

The ornamental design for a simulative play tent, as shown and described.

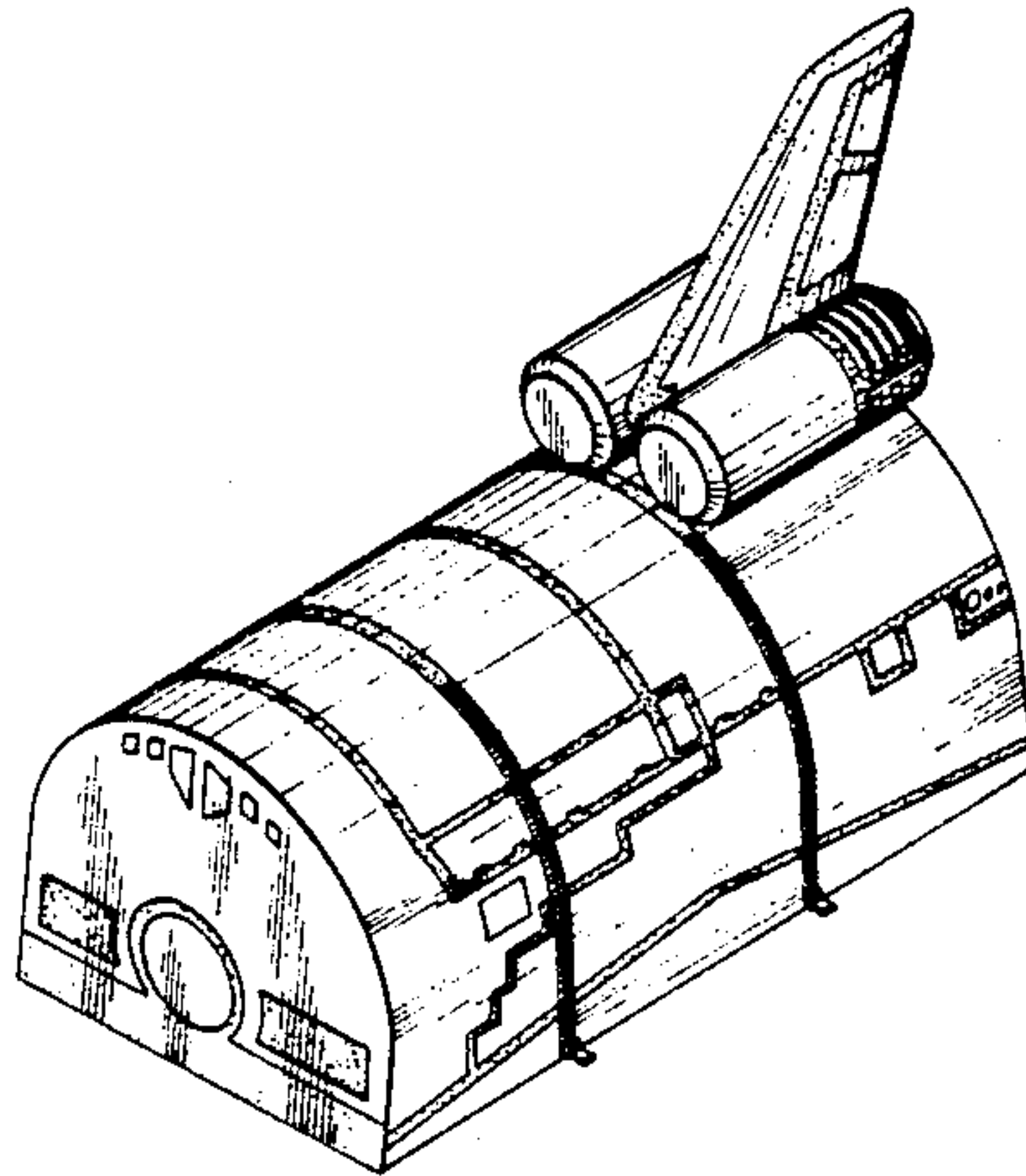
DESCRIPTION

FIG. 1 is a perspective view of a simulative play tent showing my new design;

FIG. 2 is a rear elevational view thereof;

FIG. 3 is a side elevational view of the side opposite that shown in FIG. 1; and

FIG. 4 is another perspective view thereof showing the portions of the design in alternate positions.



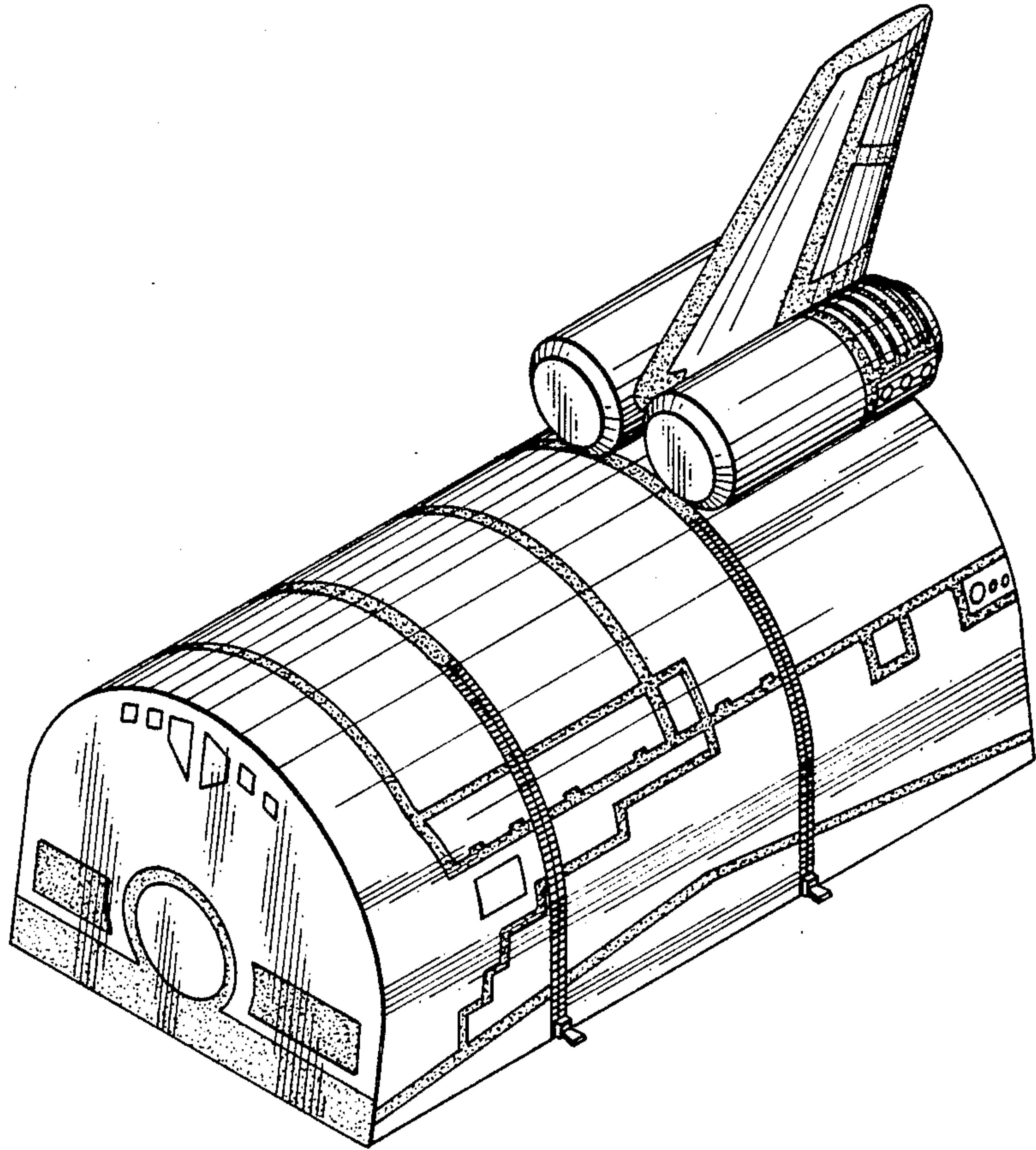


FIG. 1

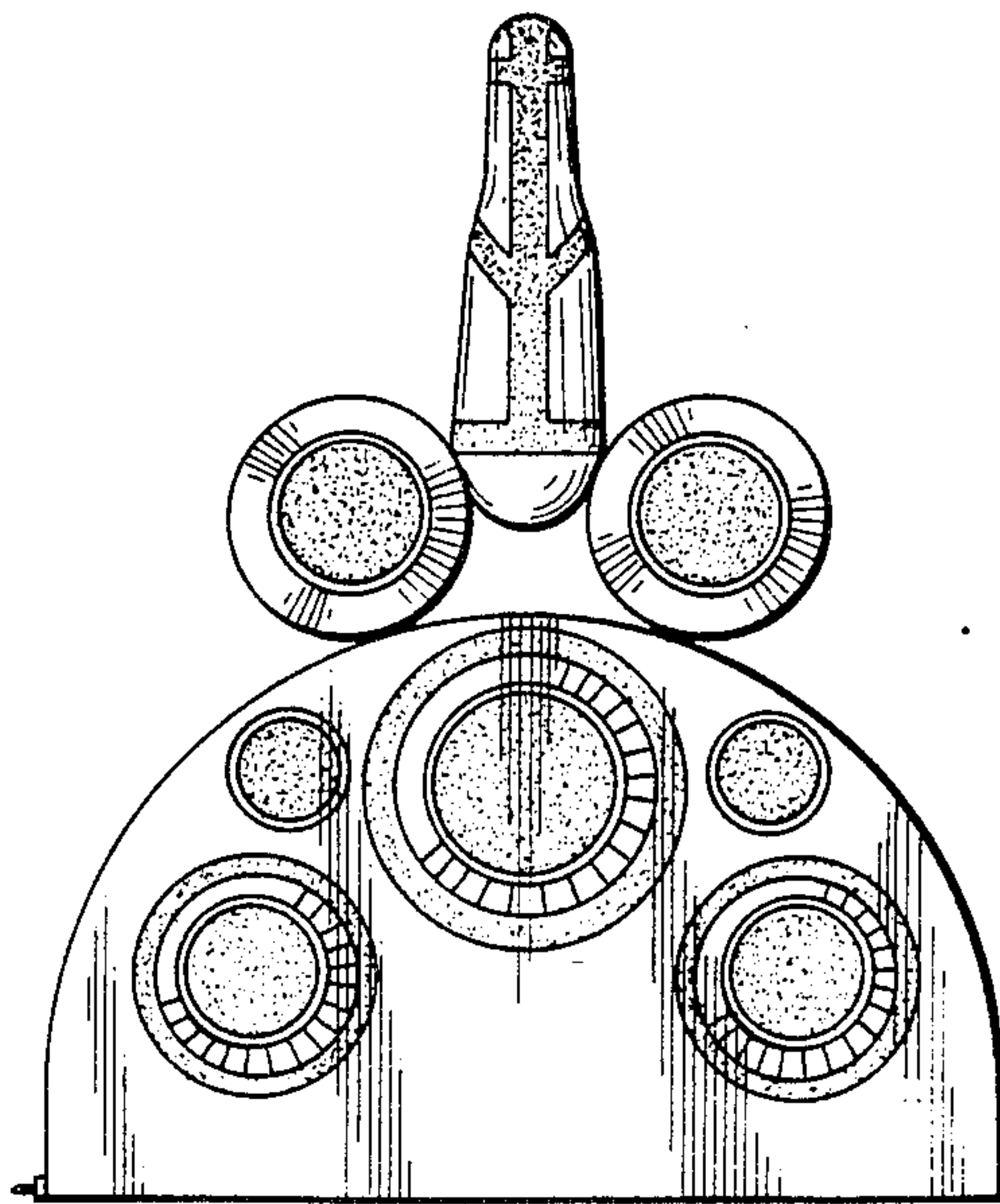


FIG. 2

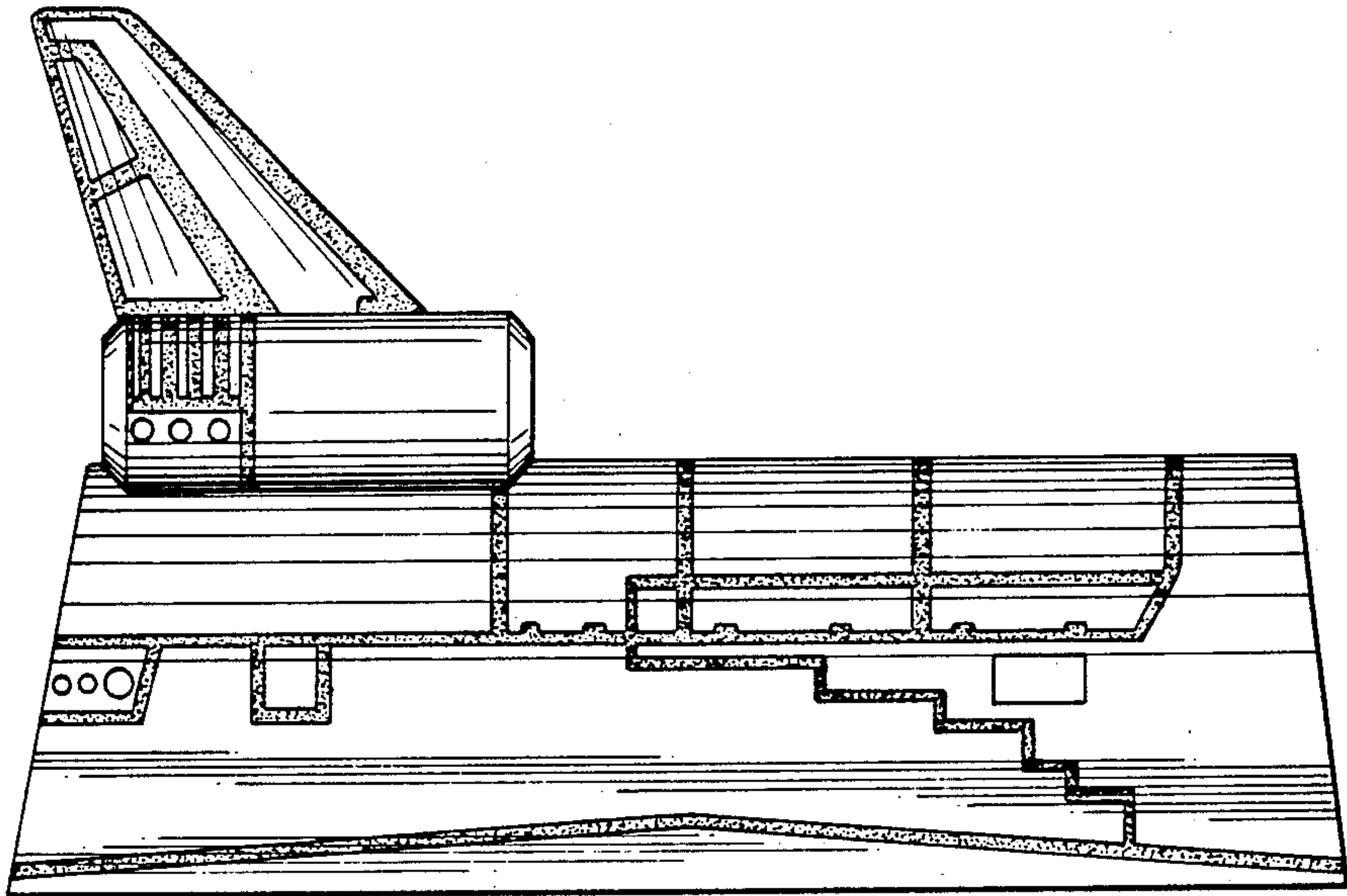


FIG. 3

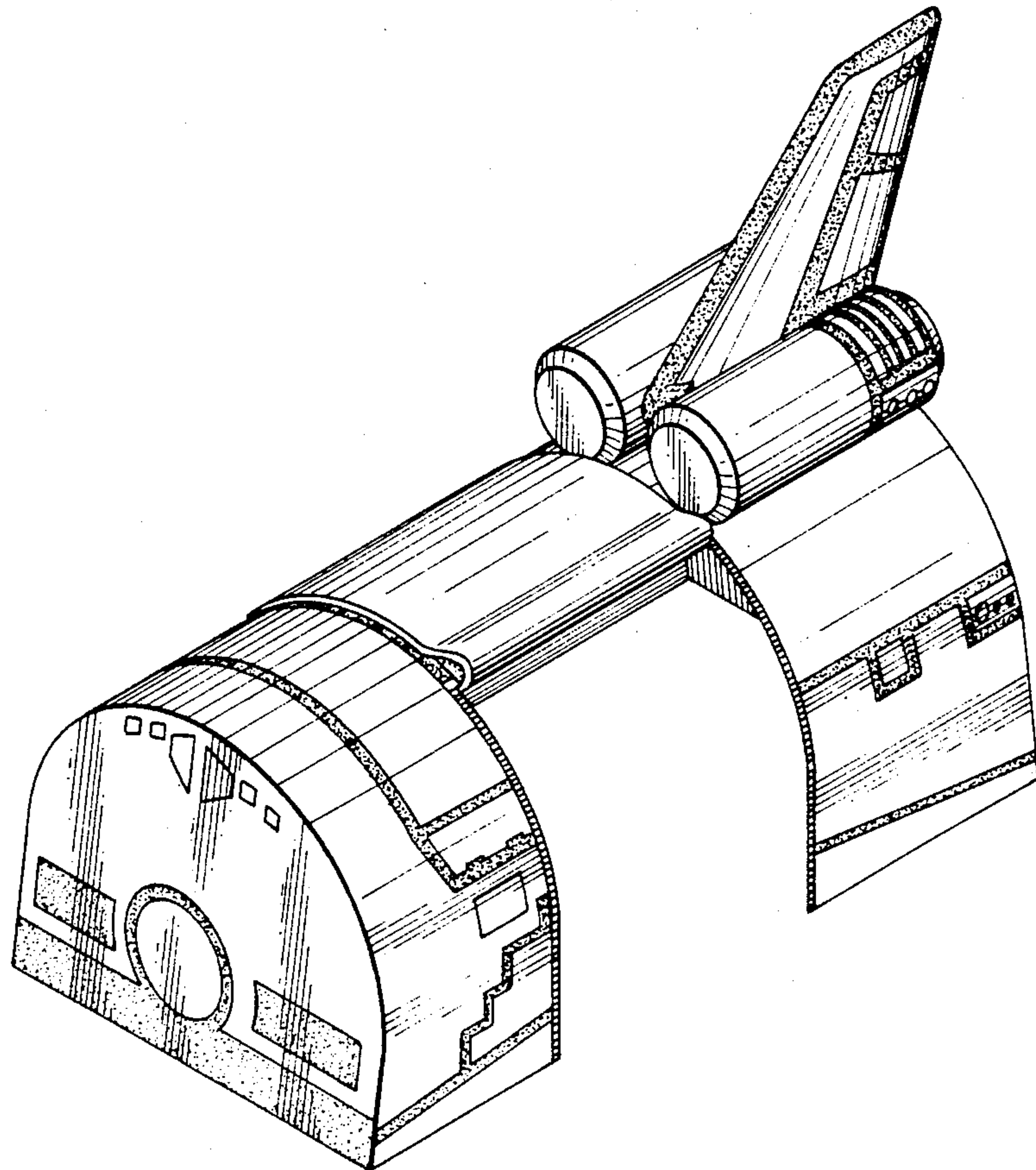


FIG. 4