

[54] DOCKETING FILE WRAPPER

[76] Inventor: Claude Le Ner Gerard, 12 Chemin du Milieu, 95540 Mery/Oise, France

[**] Term: 14 Years

[21] Appl. No.: 687,554

[22] Filed: Dec. 28, 1984

[30] Foreign Application Priority Data

Jun. 29, 1984 [FR] France 842.940

[52] U.S. Cl. D19/26; D19/33

[58] Field of Search D19/26, 27, 32, 33, D19/1-4, 9-12, 20, 21, 22; 281/45, 29, 31, 37, 36; 402/78, 79, 500

[56] References Cited

U.S. PATENT DOCUMENTS

D. 275,576 9/1984 Kirk D19/33
3,680,969 8/1972 Gorman 281/31 X

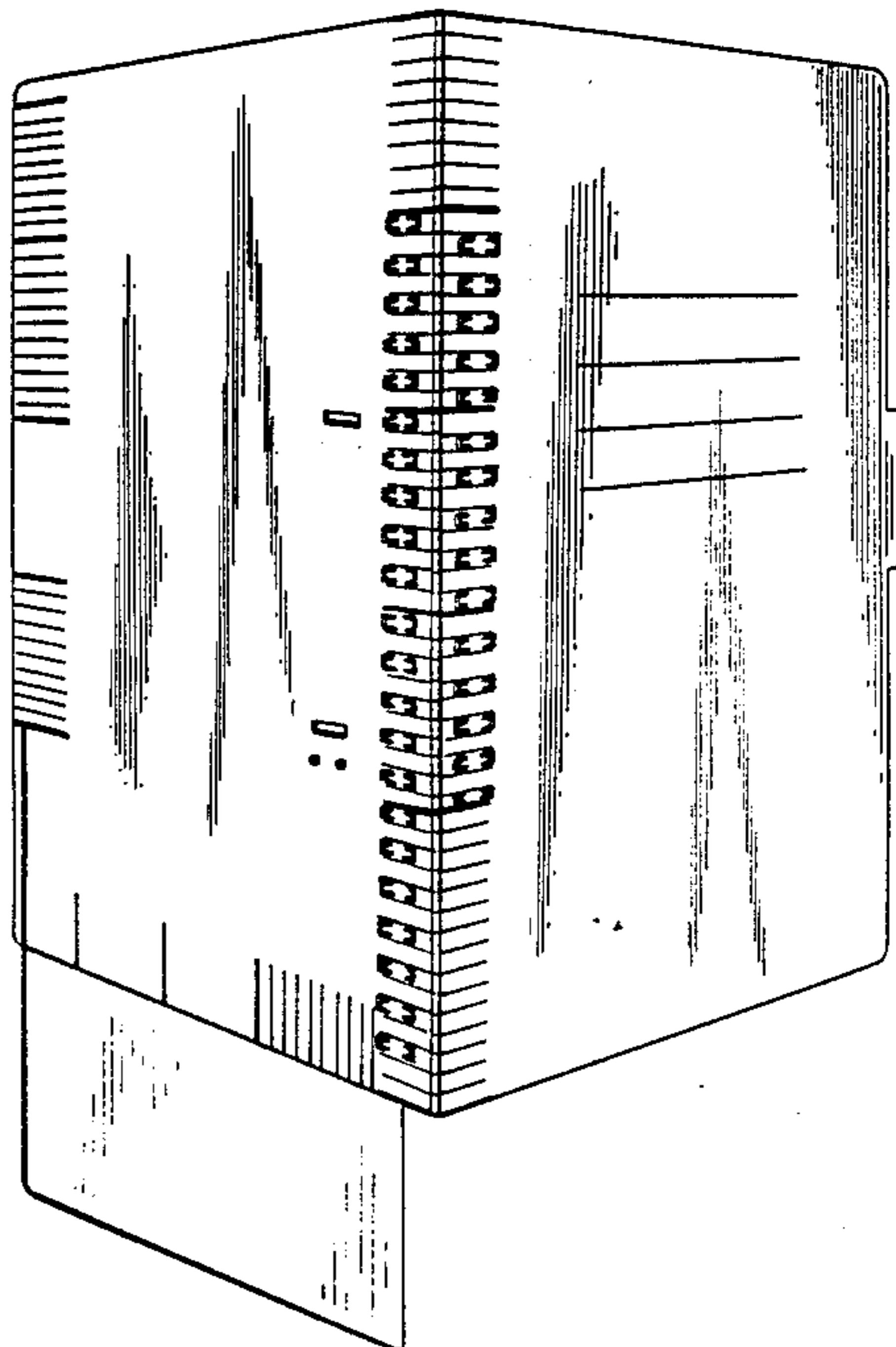
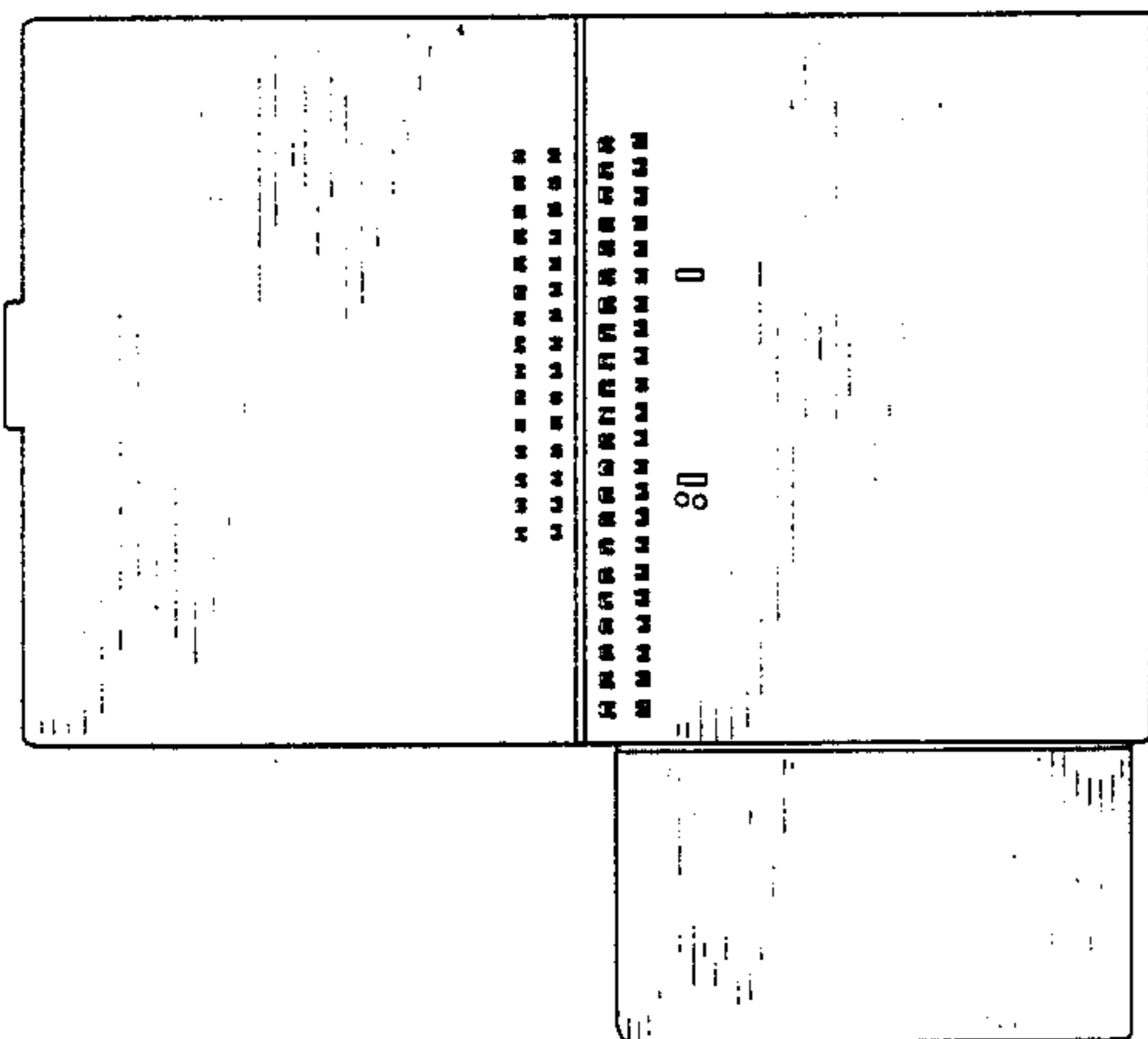
Primary Examiner—Winifred E. Herrmann
Attorney, Agent, or Firm—Kuhn and Muller

[57] CLAIM

The ornamental design for a docketing file wrapper, as shown and described.

DESCRIPTION

FIG. 1 is a front elevational view of a docketing file wrapper showing my new design;
FIG. 2 is a rear elevational view thereof;
FIG. 3 is a perspective view in an open position of the interior thereof;
FIG. 4 is a perspective view in an open position of the front and rear thereof;
FIG. 5 is a top perspective view thereof;
FIG. 6 is a bottom perspective view thereof;
FIG. 7 is a developed plan view thereof, in an unfolded position; and
FIG. 8 is another perspective view in an open position of the front and rear thereof with the flap in the unfolded position.



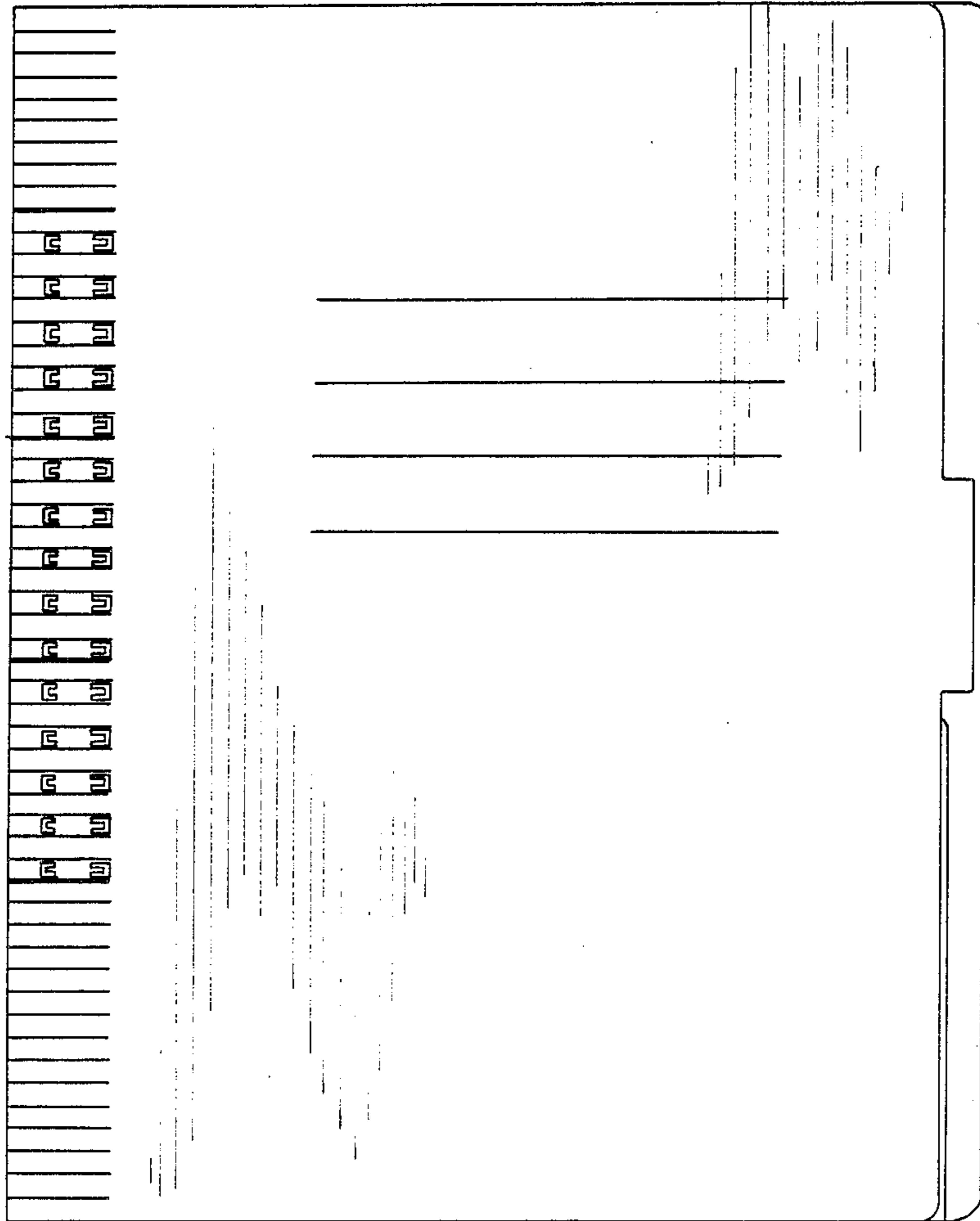


FIG. 1

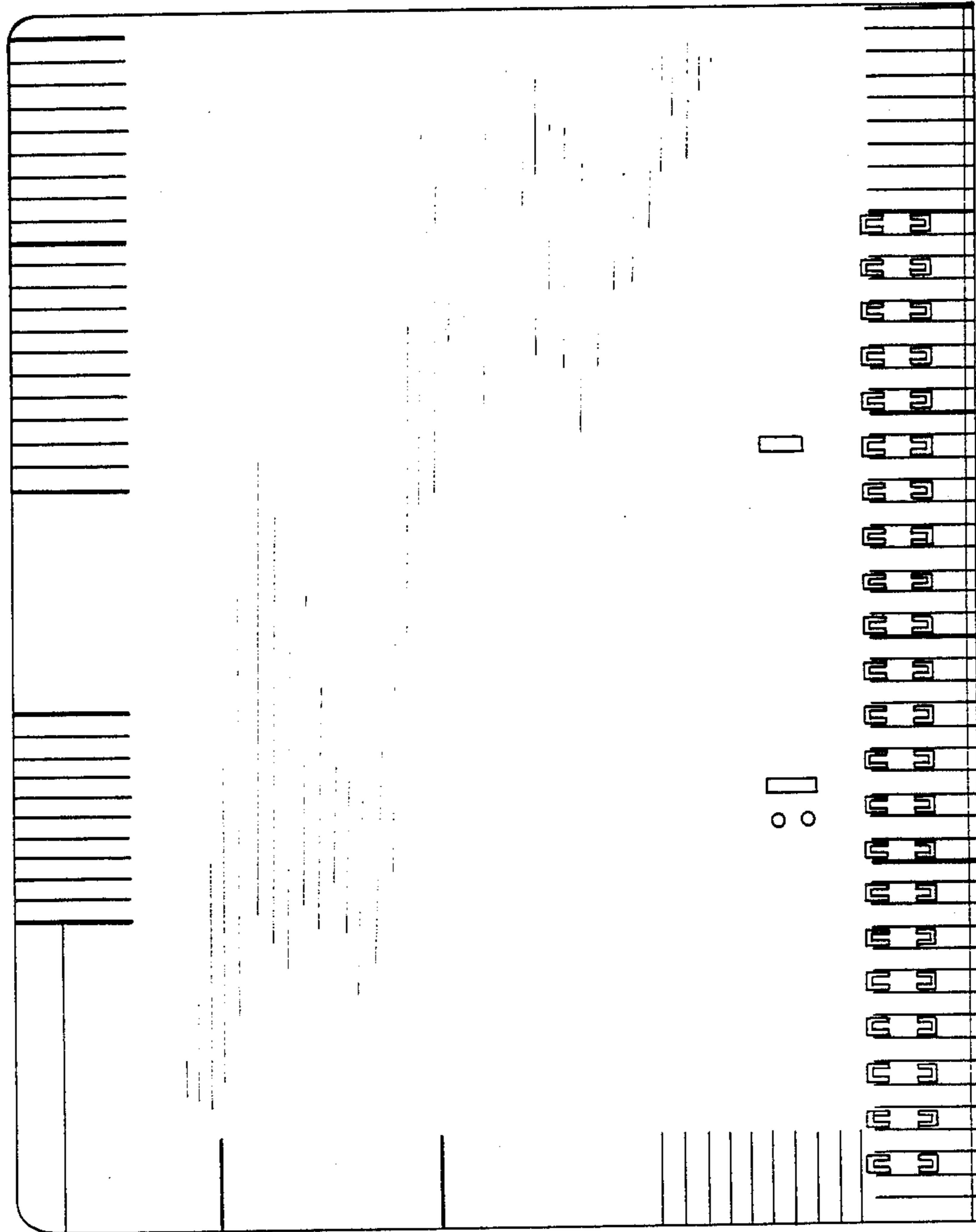


FIG. 2

FIG. 4

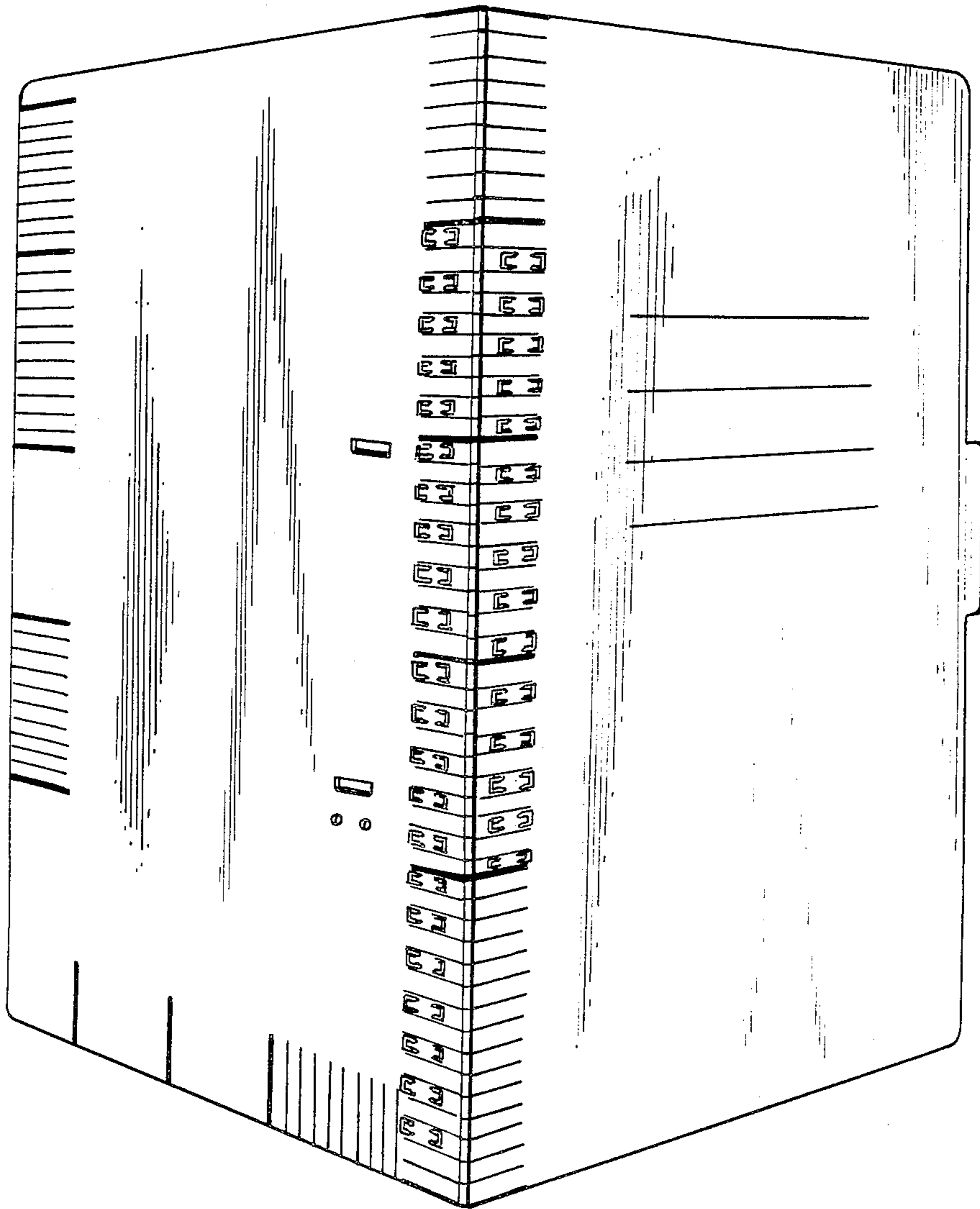


FIG. 6

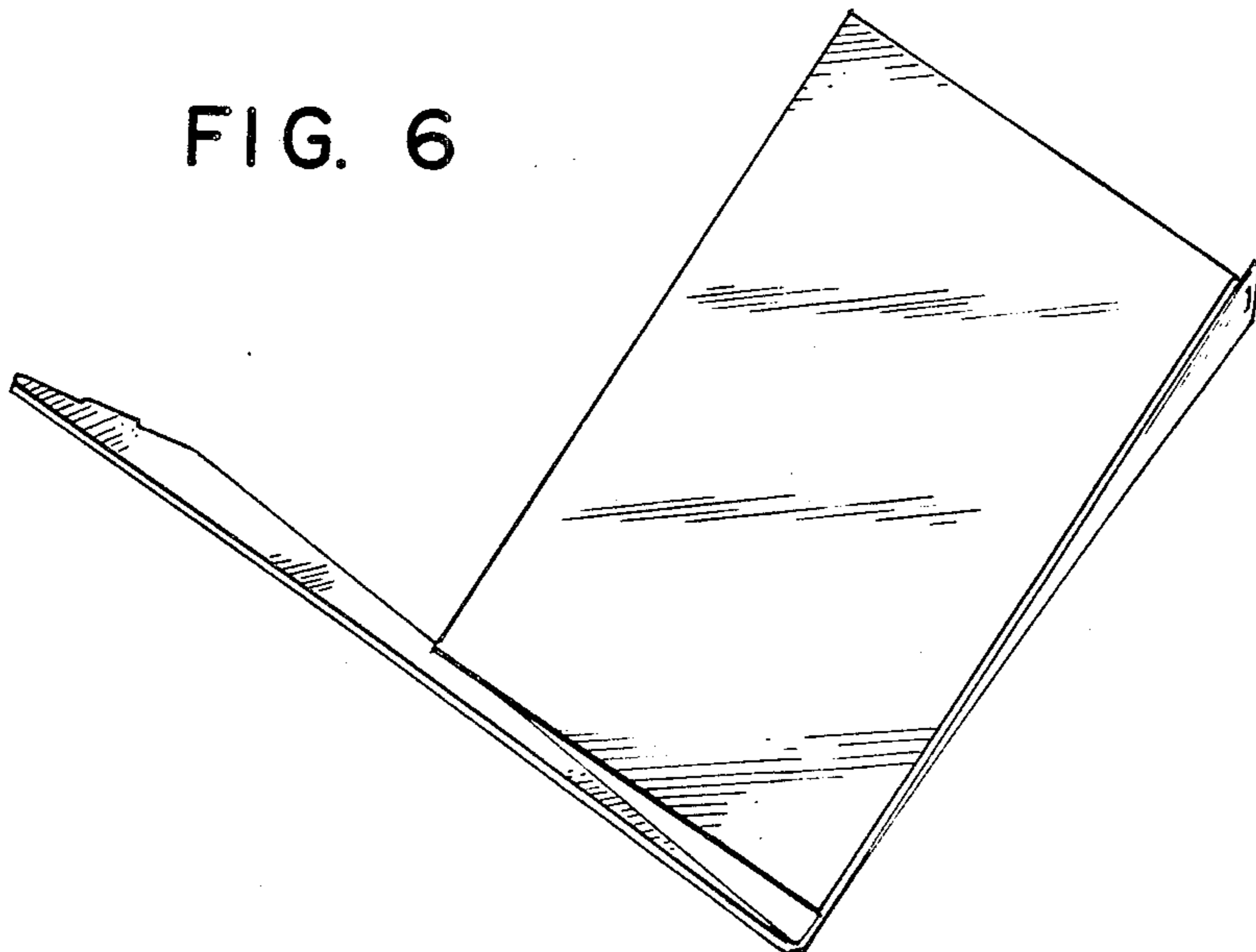


FIG. 3

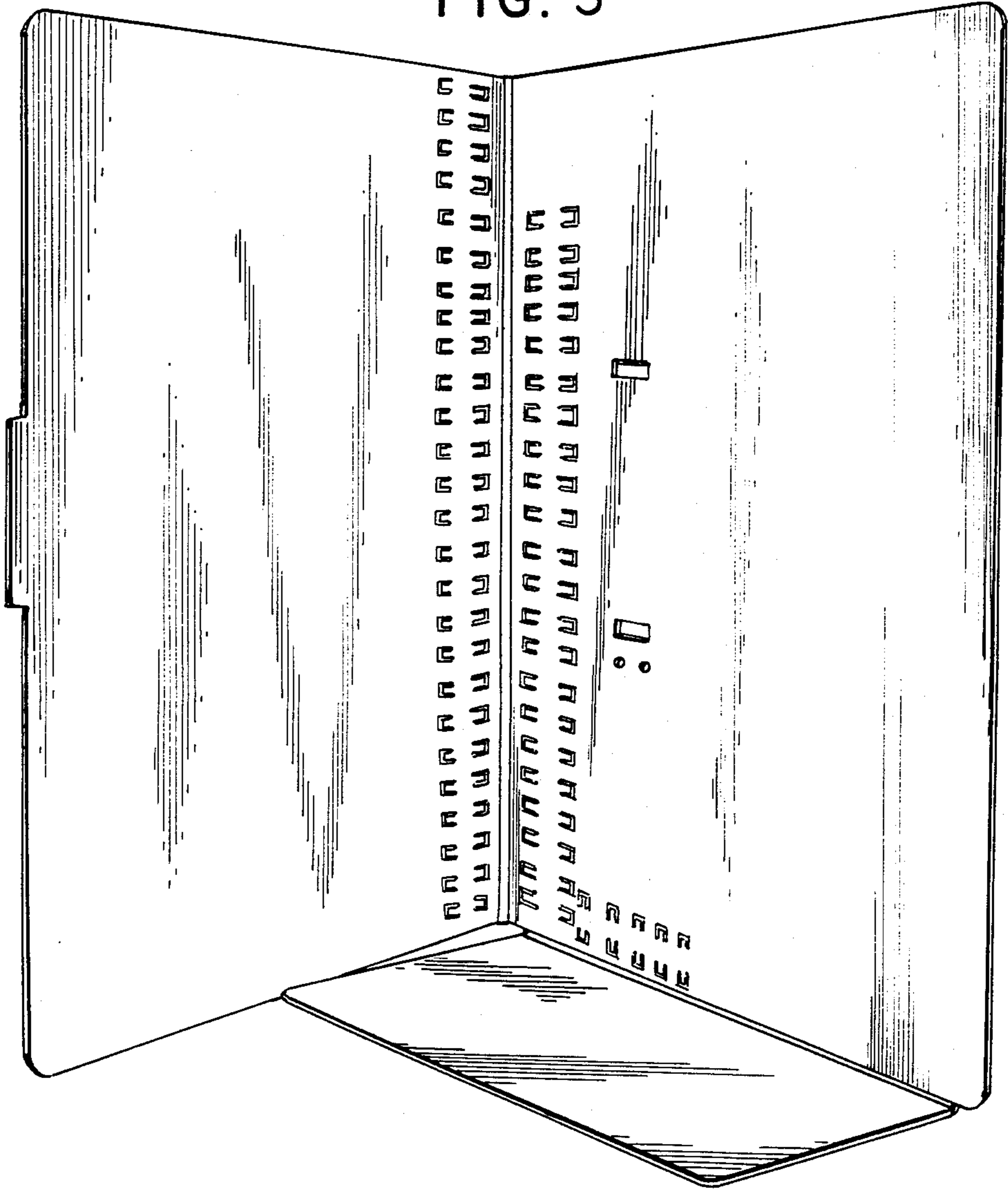
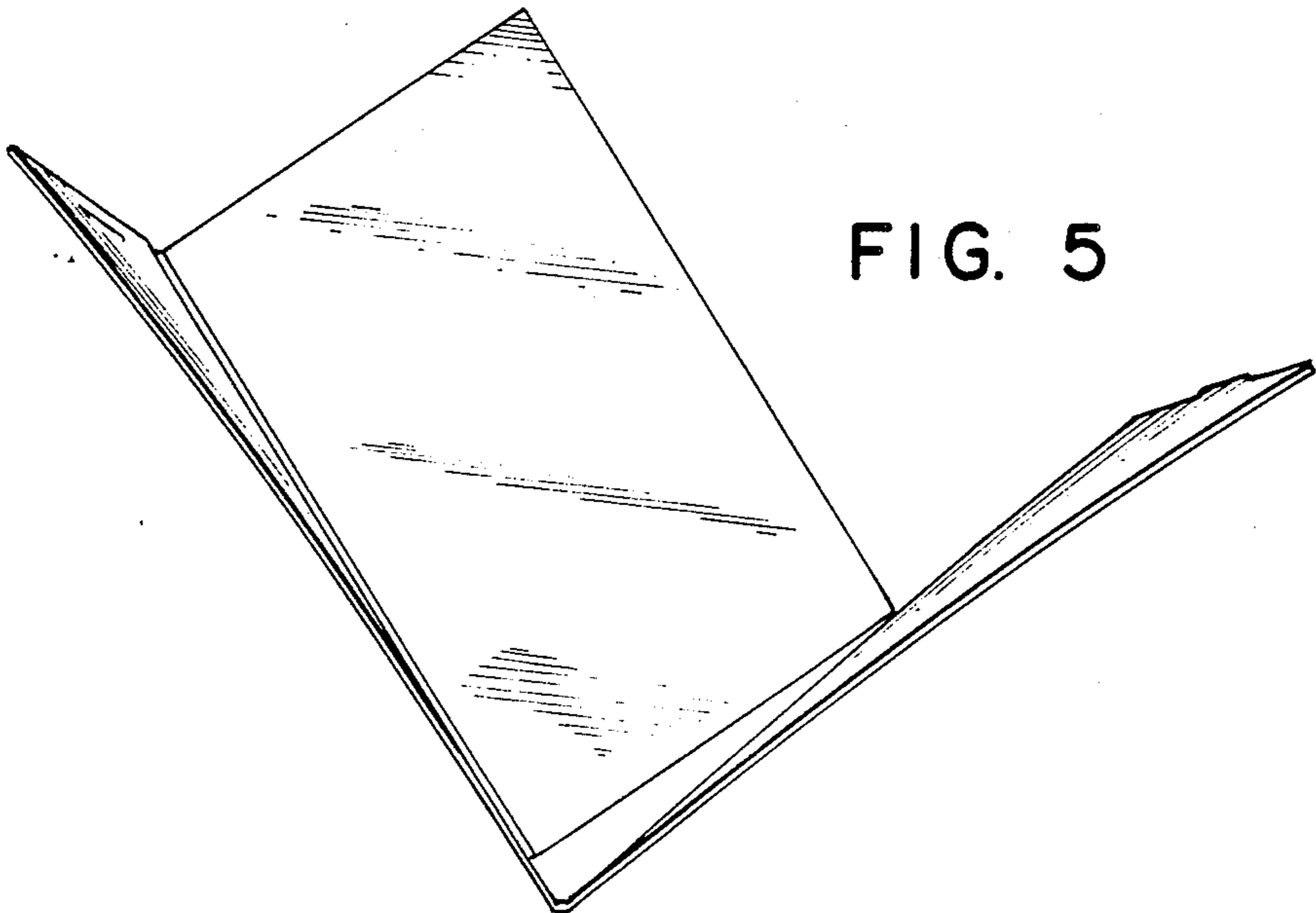


FIG. 5



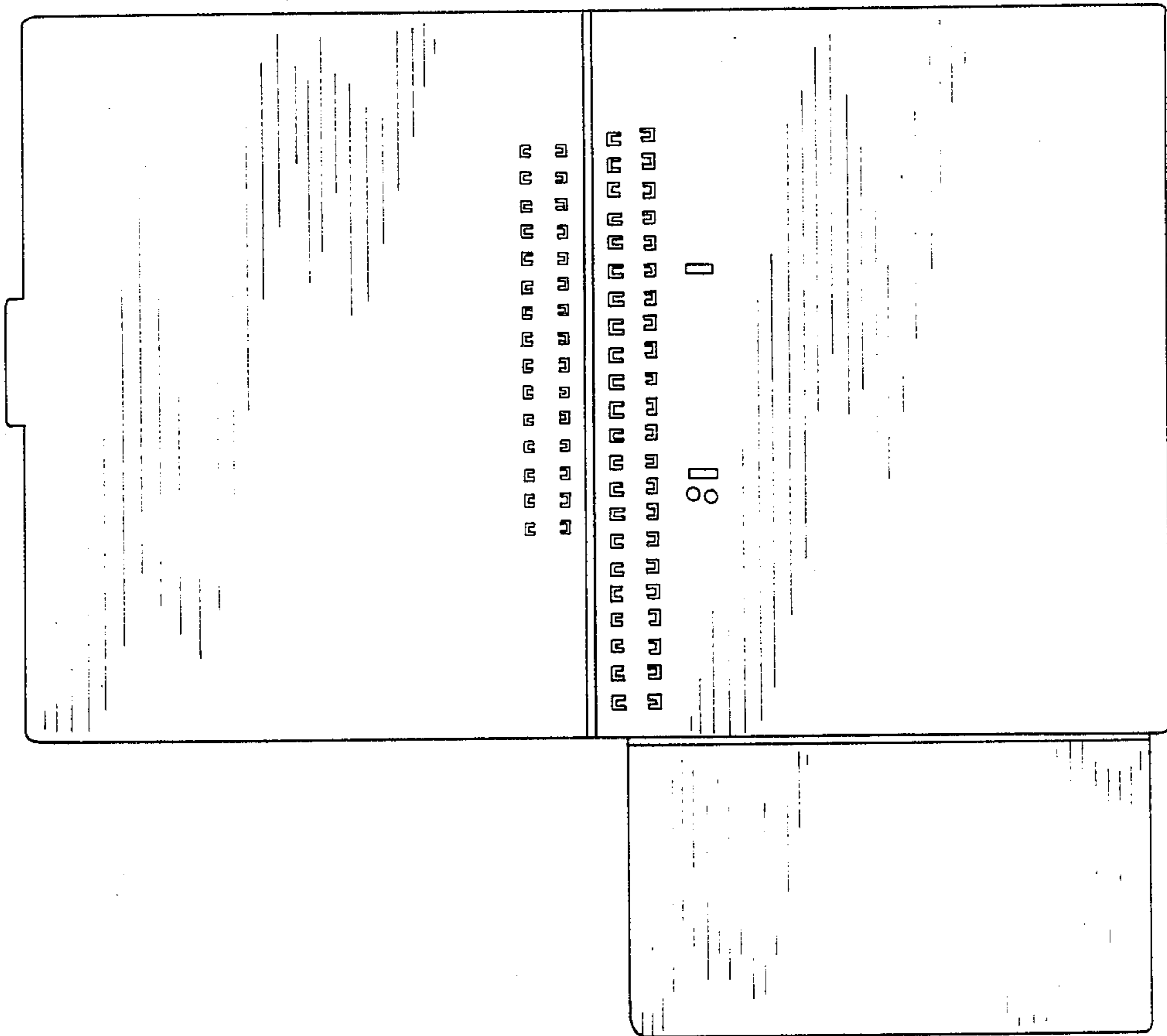


FIG. 7

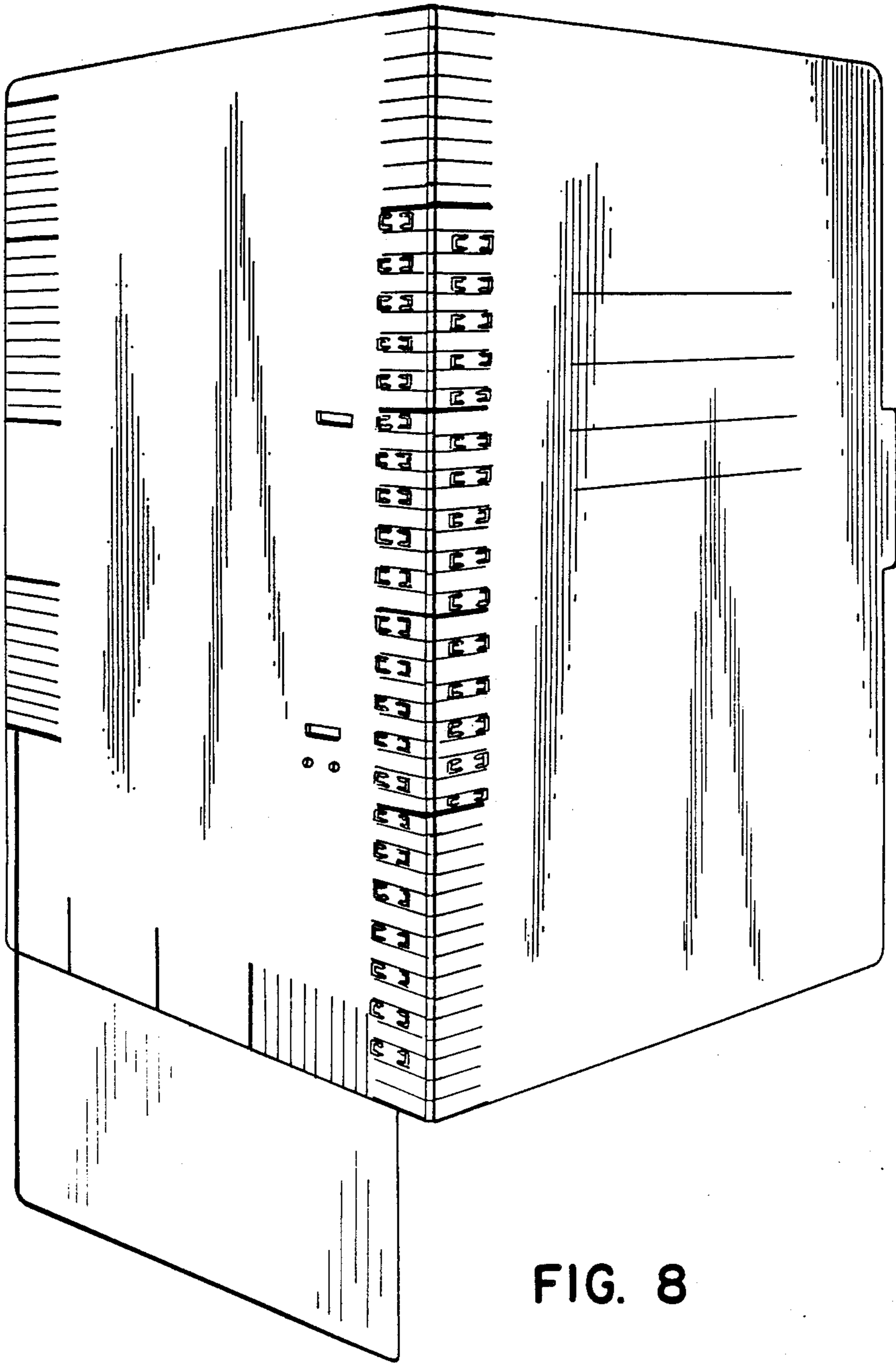


FIG. 8

UNITED STATES PATENT AND TRADEMARK OFFICE
CERTIFICATE OF CORRECTION

PATENT NO. : Des. 296,219
DATED : June 14, 1988
INVENTOR(S) : Claude Le Mer Gerard

It is certified that error appears in the above—identified patent and that said Letters Patent is hereby corrected as shown below:

Title page, inventor's name should read as follows:

Claude Le Mer Gerard

**Signed and Sealed this
First Day of November, 1988**

Attest:

DONALD J. QUIGG

Attesting Officer

Commissioner of Patents and Trademarks