

[54] **PRINTER SUPPORT LEG**

[75] Inventors: Craig D. Drake; Ross A. Jessen, both of Muscatine, Iowa

[73] Assignee: Ring King Visibles, Inc., Muscatine, Iowa

[**] Term: 14 Years

[21] Appl. No.: 763,910

[22] Filed: Aug. 8, 1985

[52] U.S. Cl. D18/23

[58] Field of Search D18/13, 22, 23; D14/107, 111, 114; D6/407, 462; 400/689-694; 312/208; 248/677, 165, 172

[56] **References Cited**

U.S. PATENT DOCUMENTS

D. 286,715	11/1986	Schriner	D6/462
4,331,312	5/1982	Lavoe	248/165 X
4,544,065	10/1985	Mueller	400/691
4,570,802	2/1986	Murphy	400/691

OTHER PUBLICATIONS

Inland Printer Stand LCS#0513-14, shown at p. 35 of Spring/Summer 1985 Catalog of Lyben Computer Systems.

Kensington Microware Universal Printer/Portable Computer Stand advertisement, copyright 1984.

Ring King Up-Write Printer Stands Model PS1215-SMK, shown in undated brochure.

Ring King Model AC0080 Printer Stand, shown in undated brochure.

Primary Examiner—Louis S. Zarfes
Attorney, Agent, or Firm—Neuman, Williams, Anderson & Olson

[57] **CLAIM**

The ornamental design for a printer support leg, as shown and described.

DESCRIPTION

FIG. 1 is a perspective view of a printer support leg showing our new design;

FIG. 2 is a top plan view thereof;

FIG. 3 is a left side elevational view thereof;

FIG. 4 is a right side elevational view thereof;

FIG. 5 is a rear end view thereof;

FIG. 6 is a front end view thereof;

FIG. 7 is a perspective view of a printer support leg showing a second embodiment of our new design wherein the leg is a mirror image of the first embodiment;

FIG. 8 is a side elevational view of a printer support leg showing a third embodiment of our new design which incorporates a cushion pad and foot pads;

FIG. 9 is a perspective view thereof.

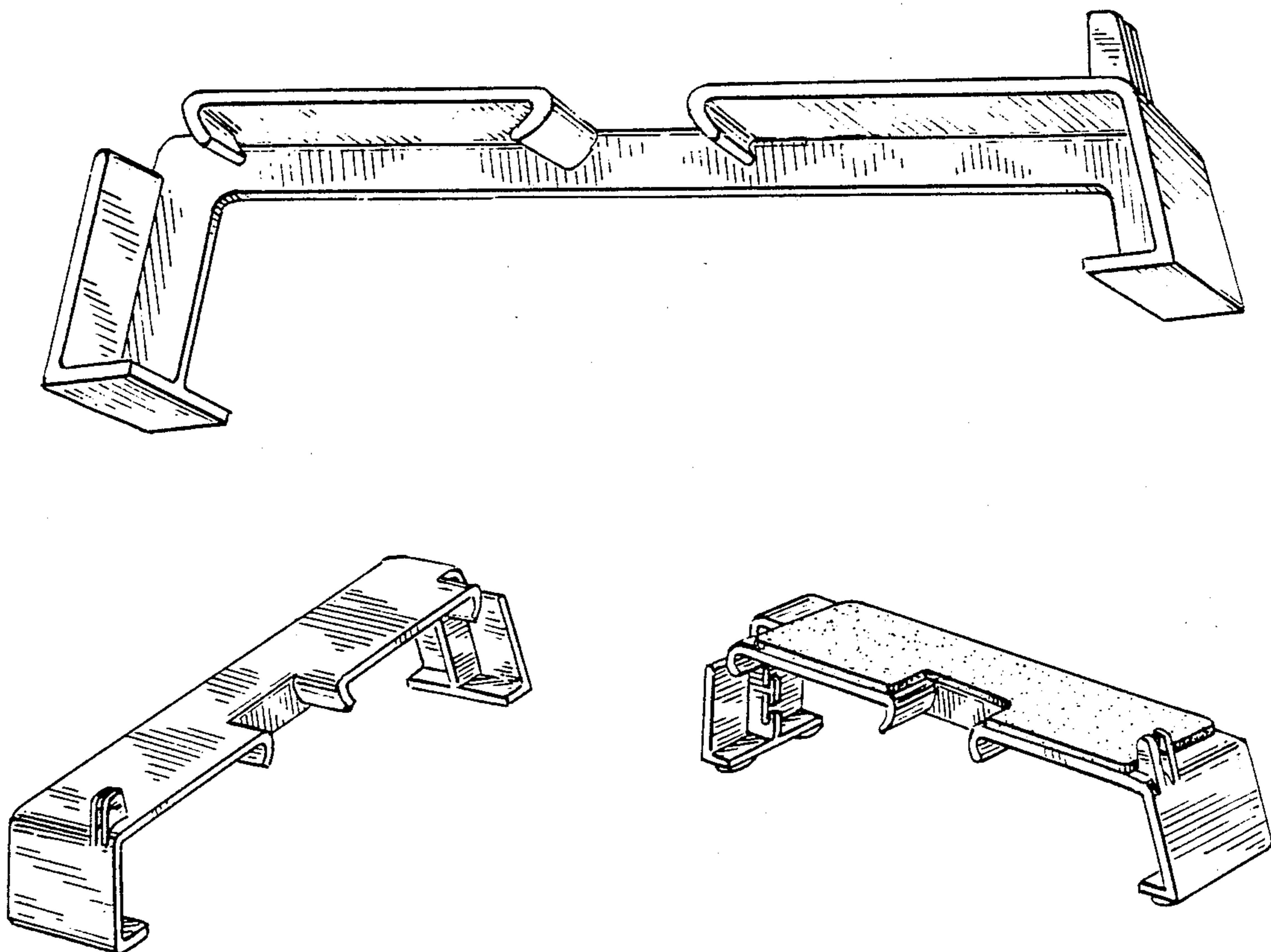


FIG. 1

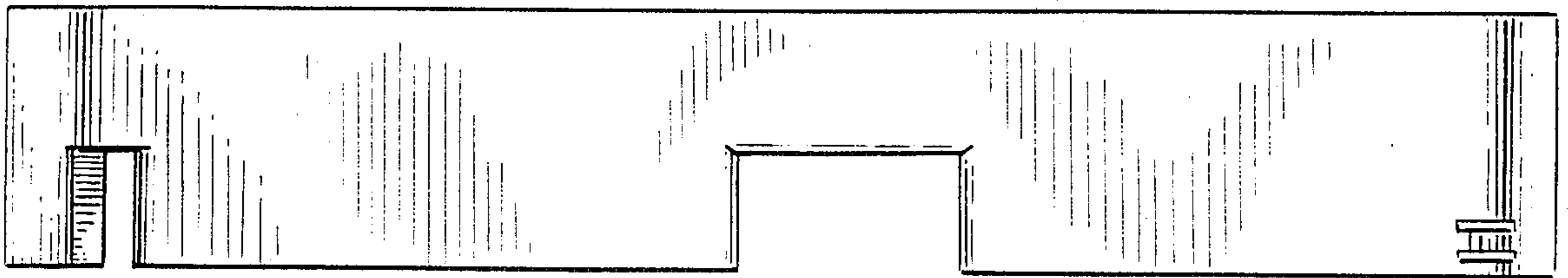
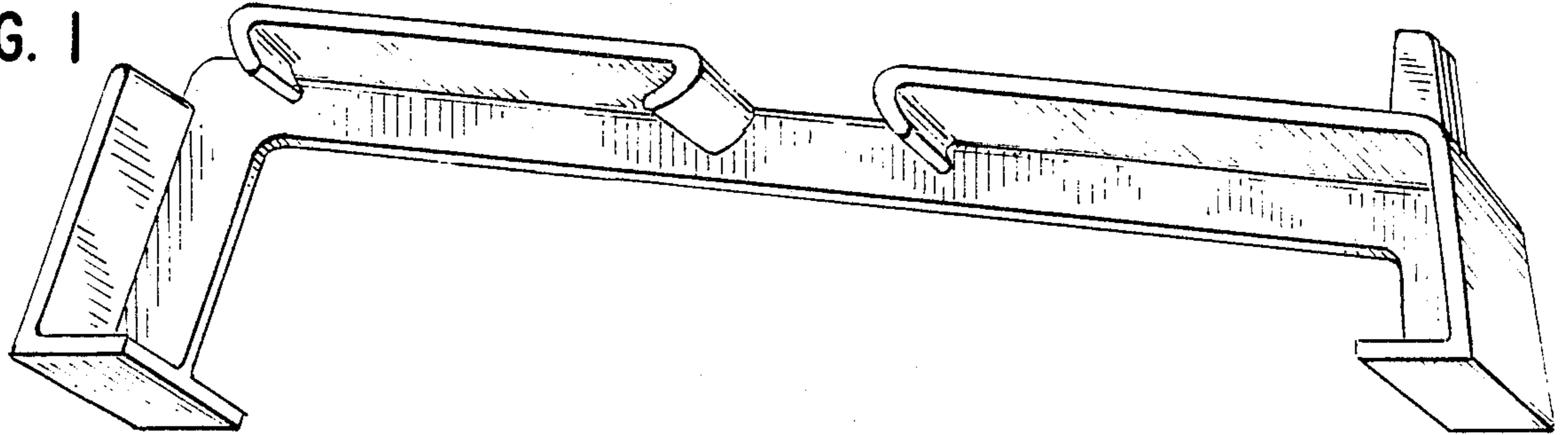


FIG. 2

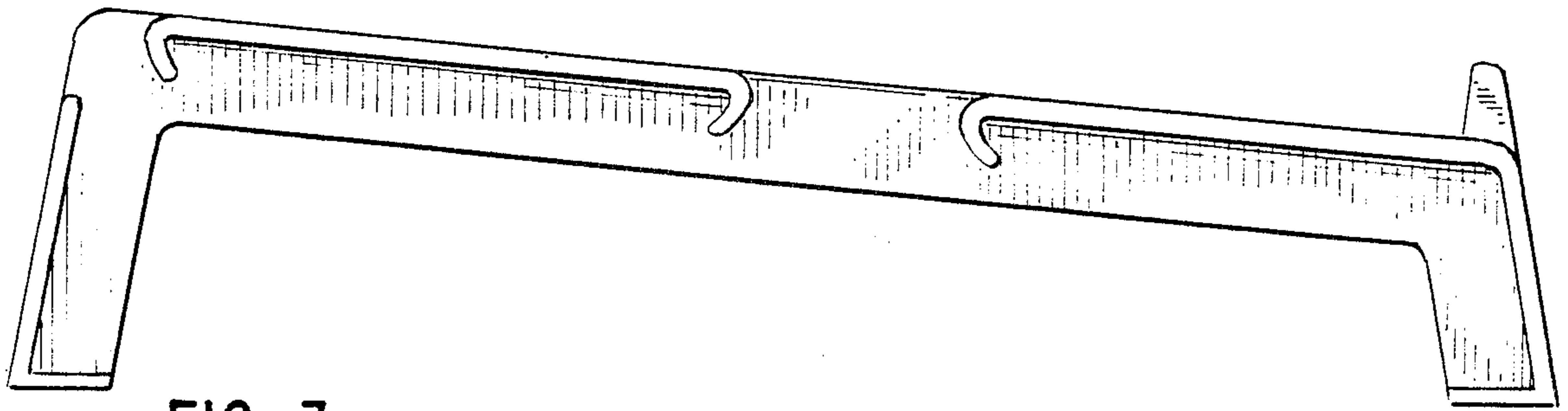


FIG. 3

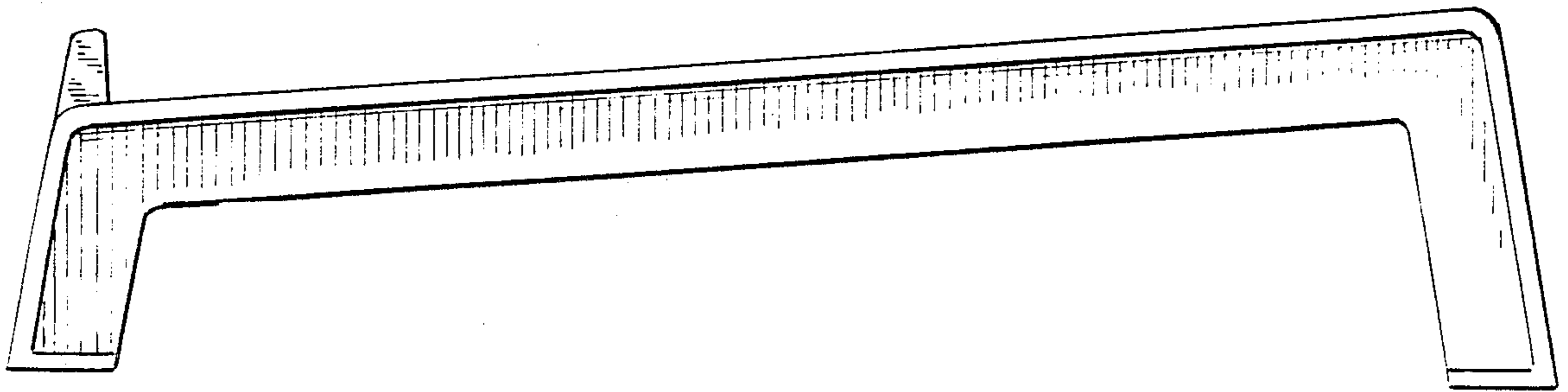


FIG. 4

FIG. 5

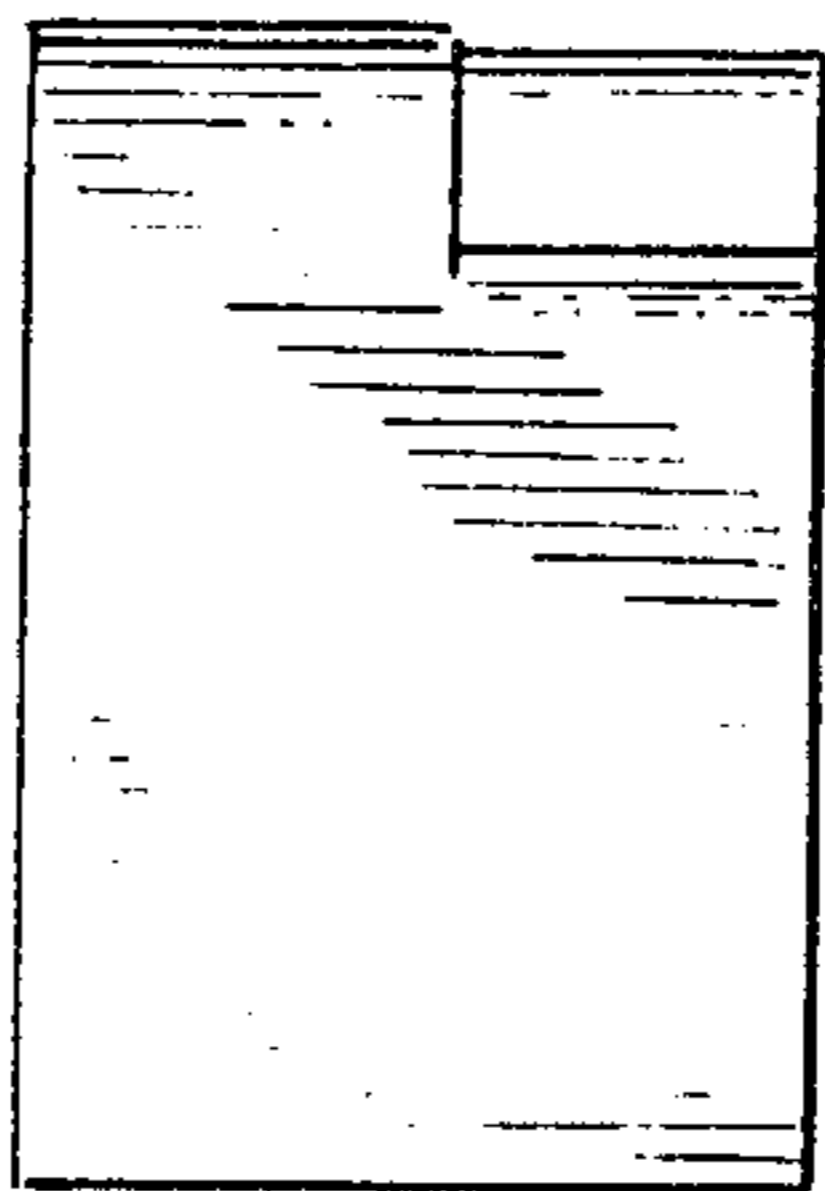


FIG. 6

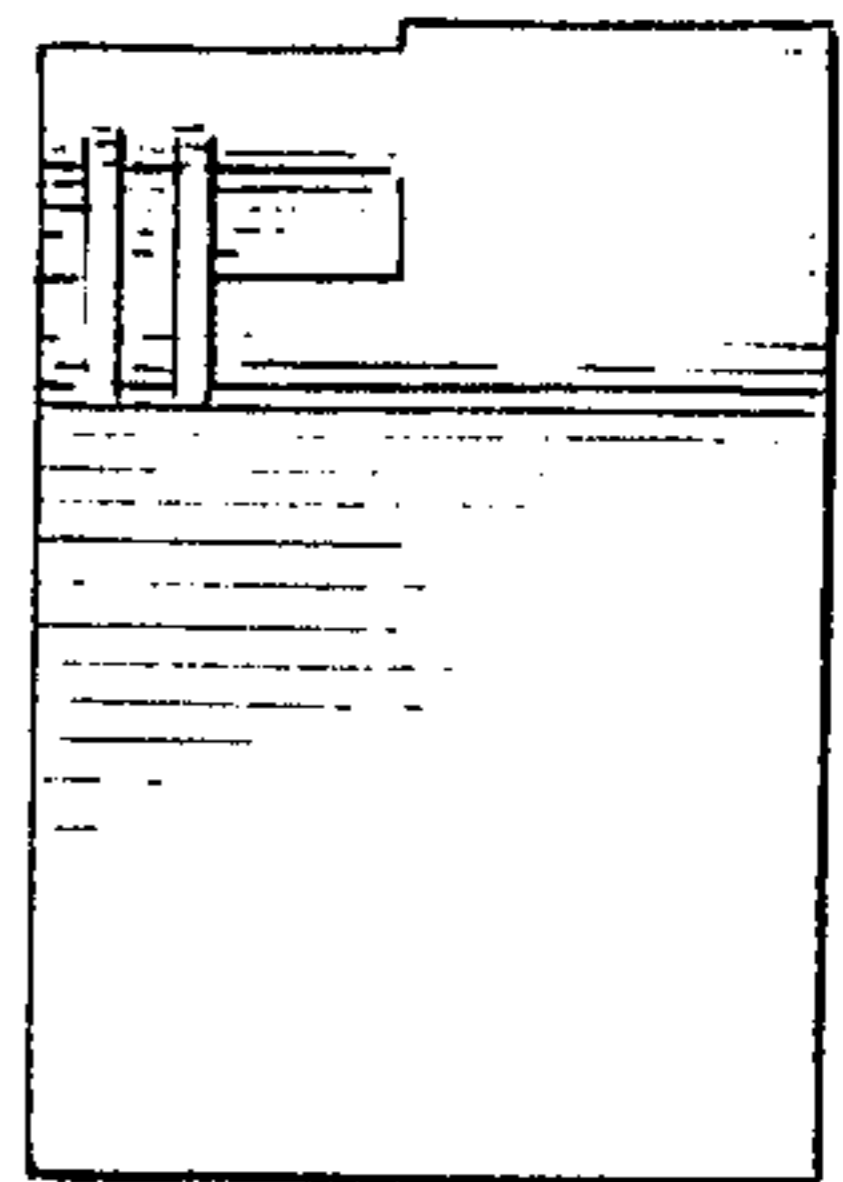


FIG. 7

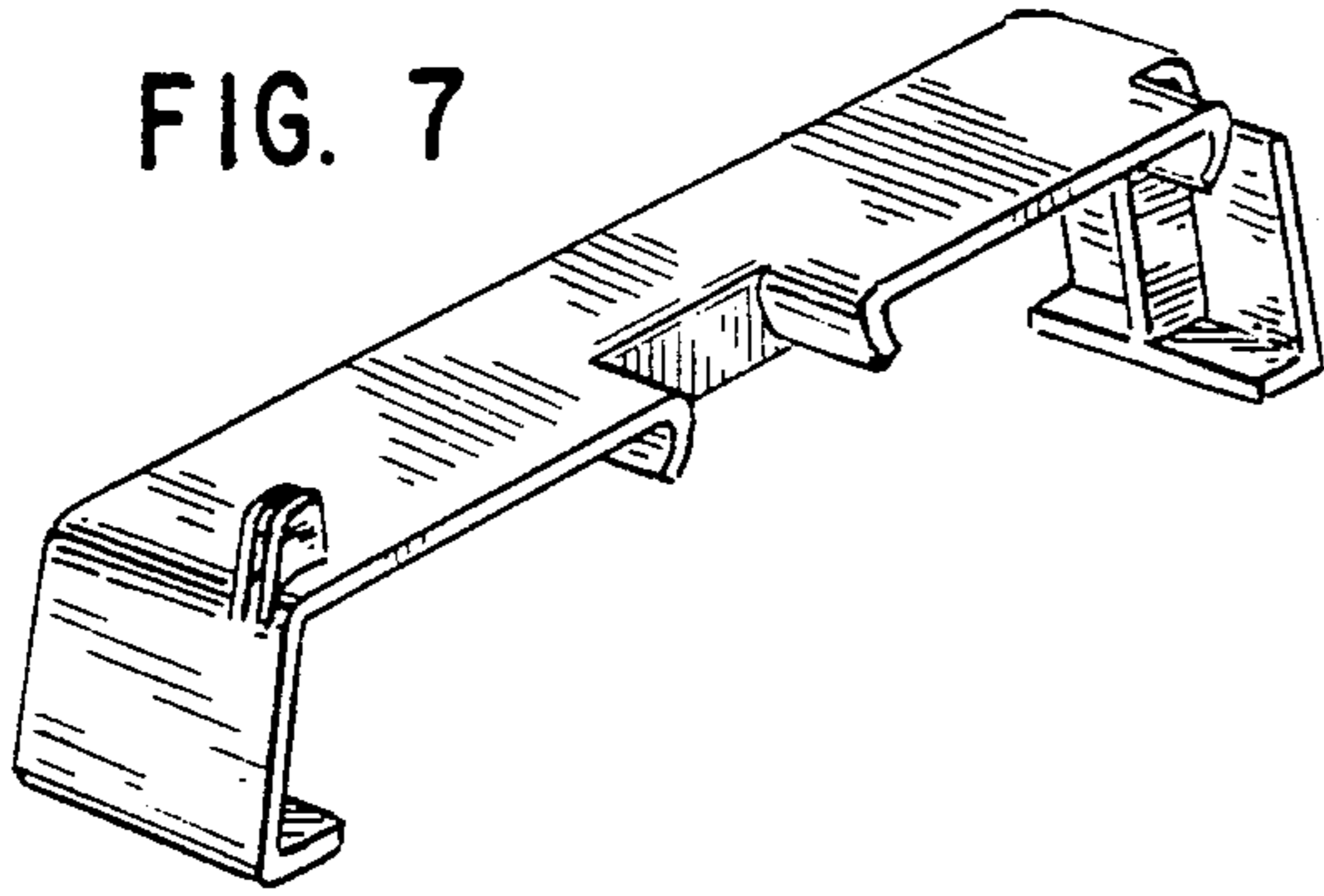


FIG. 9

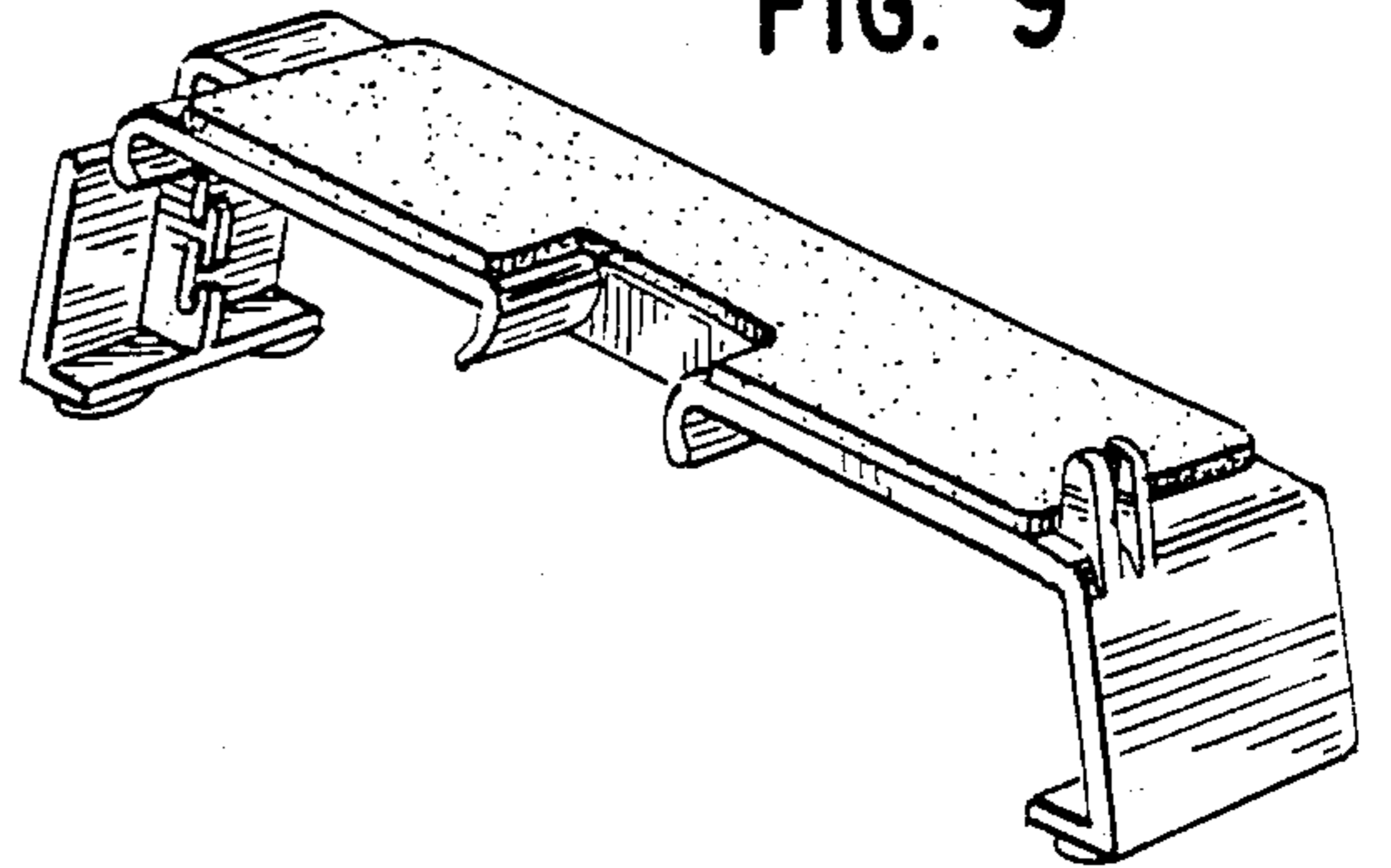


FIG. 8

