

[54] PHOTOGRAPHIC CAMERA

[75] Inventor: David E. Hansen, Fairport, N.Y.

[73] Assignee: Eastman Kodak Company, Rochester, N.Y.

[**] Term: 14 Years

[21] Appl. No.: 842,016

[22] Filed: Mar. 6, 1986

[52] U.S. Cl. D16/6; D16/1

[58] Field of Search D16/1-10; 354/83-86, 149.11, 152, 173.1, 173.11, 204, 212, 288 A-288 F, 288 M, 288 P, 288 U

[56] References Cited

U.S. PATENT DOCUMENTS

- D. 224,572 8/1972 Emmerling D16/6
- D. 279,788 7/1985 Io D16/6

D. 284,768 7/1986 Nakayama D16/1 X

OTHER PUBLICATIONS

Popular Photography, 6/85, p. 66, top left-Ricoh AF-70.

35 mm Photography, 11/84, p. 41, Yashica 'T'A-F.

35 mm Photography, 6/85, p. 45, Panasonic Camera.

Primary Examiner—Bernard Ansher

Assistant Examiner—Theodore M. Shooman

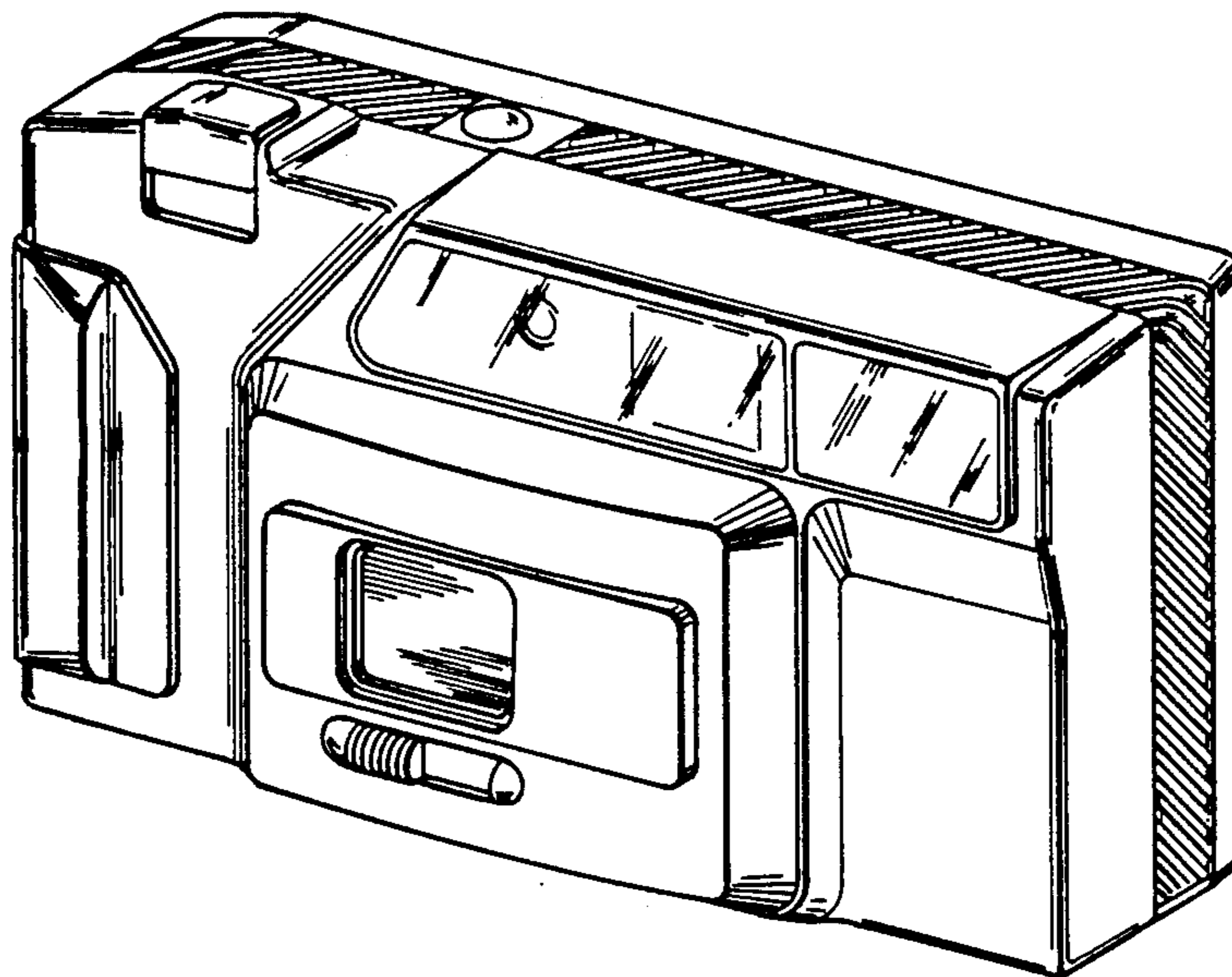
Attorney, Agent, or Firm—Roger A. Fileds

[57] CLAIM

The ornamental design for a photographic camera, as shown.

DESCRIPTION

FIG. 1 is a top and right front perspective view of a photographic camera showing my new design; and FIG. 2 is bottom and left rear perspective view thereof.



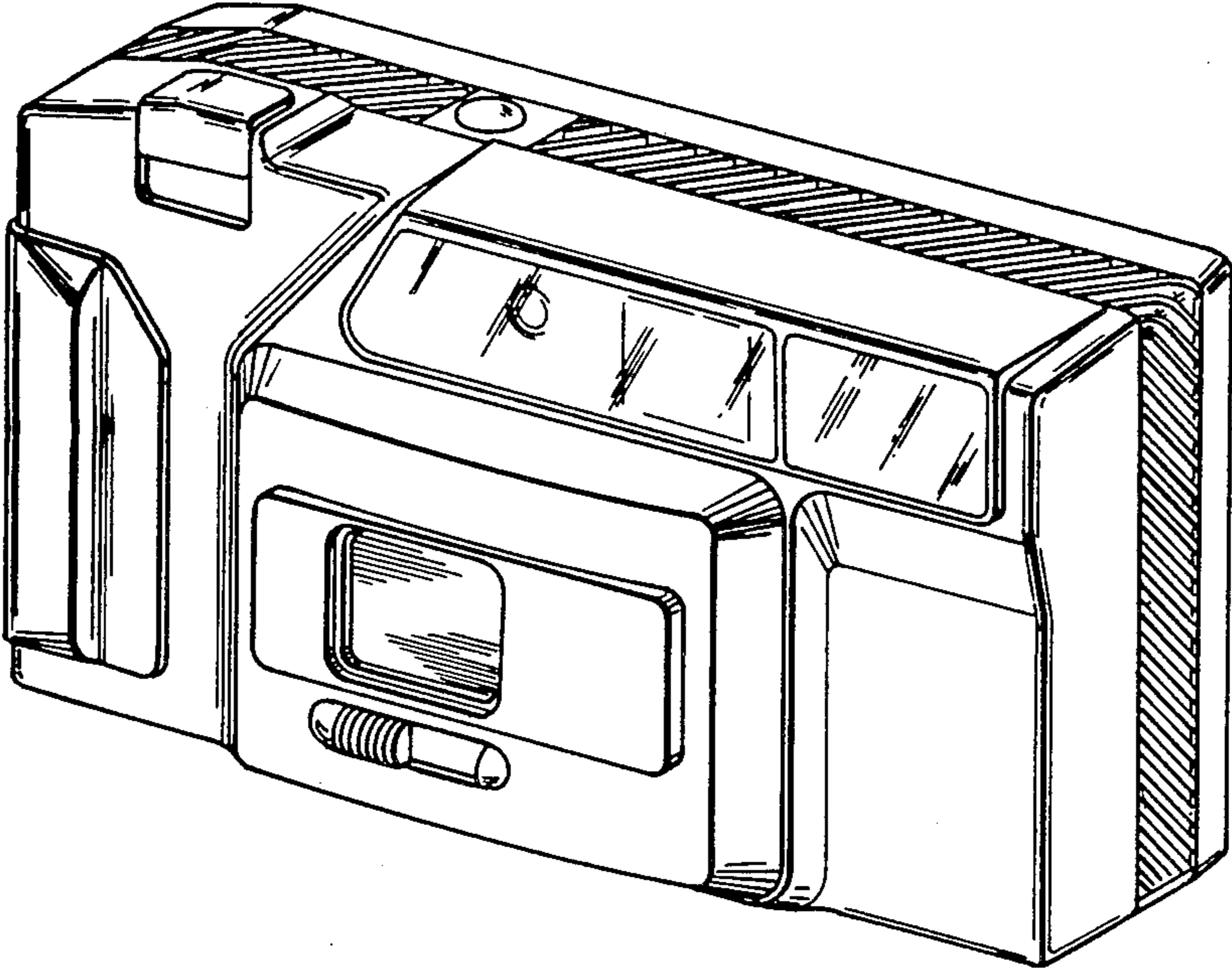


FIG. 1

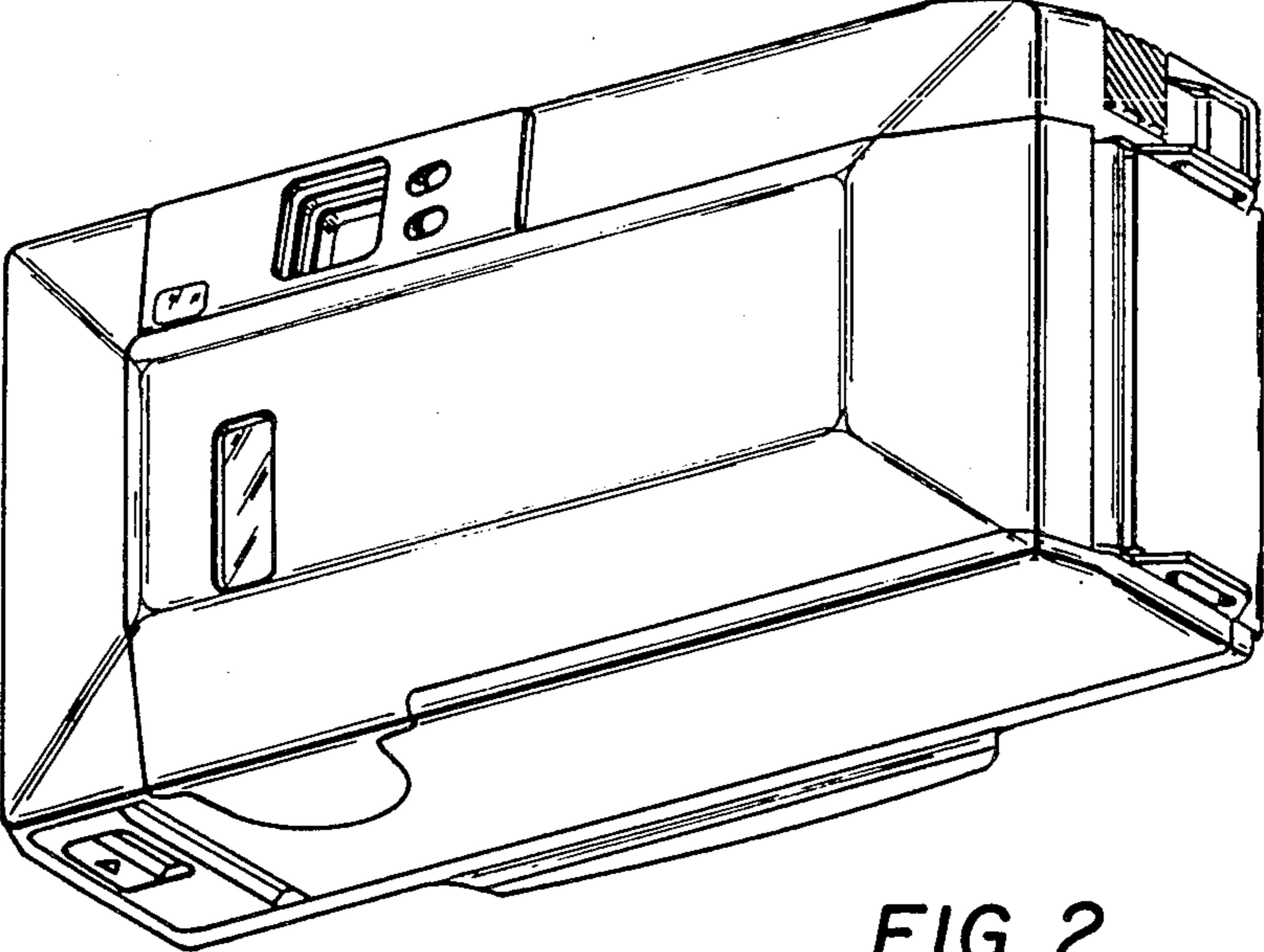


FIG. 2