

United States Patent [19]

Hansen

[11] Patent Number: **Des. 296,213**

[45] Date of Patent: **** Jun. 14, 1988**

[54] **DISK FILM CAMERA**

[75] Inventor: **David E. Hansen, Fairport, N.Y.**

[73] Assignee: **Eastman Kodak Company,
Rochester, N.Y.**

[**] Term: **14 Years**

[21] Appl. No.: **842,015**

[22] Filed: **Mar. 6, 1986**

[52] U.S. Cl. **D16/1; D16/6**

[58] Field of Search **D16/1-10;
354/83-86, 149.11, 152, 173.1, 173.11, 204, 212,
288 A-288 F, 288 M, 288 P, 288 U.**

[56] **References Cited**

U.S. PATENT DOCUMENTS

D. 263,477 3/1982 Ainslie D16/6
D. 275,491 9/1984 McClare D16/1 X

D. 277,582 2/1985 McClare D16/1 X
4,492,443 1/1985 Spencer et al. 354/204 X
4,660,950 4/1987 Cooper et al. 354/173.1

OTHER PUBLICATIONS

Hong Kong Enterprise, 9/83, p. 100, bottom left.

Primary Examiner—Bernard Ansher
Assistant Examiner—Theodore M. Shooman
Attorney, Agent, or Firm—Roger A. Fields

[57] **CLAIM**

The ornamental design for a disk film camera, as shown.

DESCRIPTION

FIG. 1 is a top and right front perspective view of a disk film camera showing my new design;
FIG. 2 is a bottom and left front perspective view thereof; and
FIG. 3 is a rear elevational view thereof.

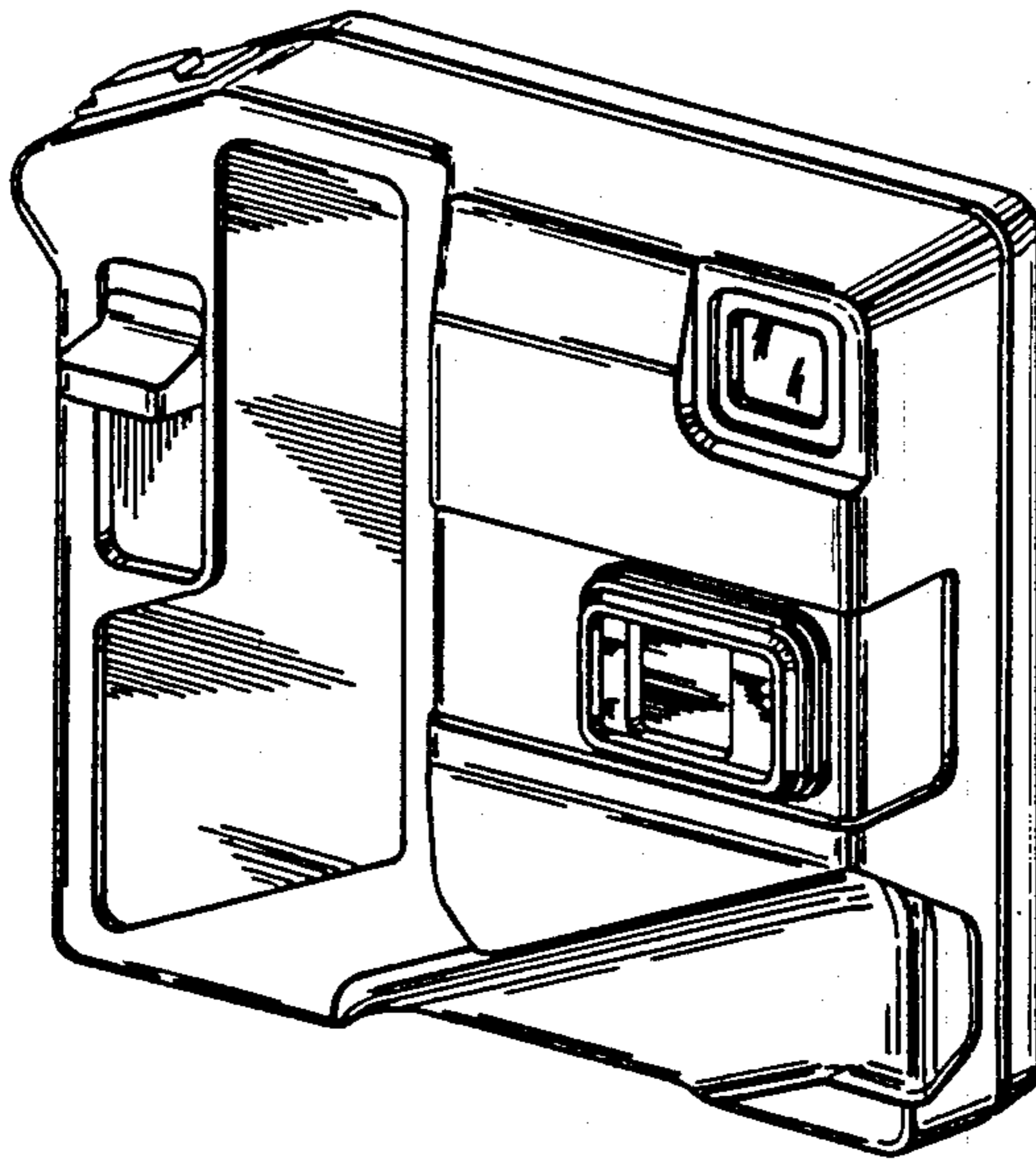


FIG. 1

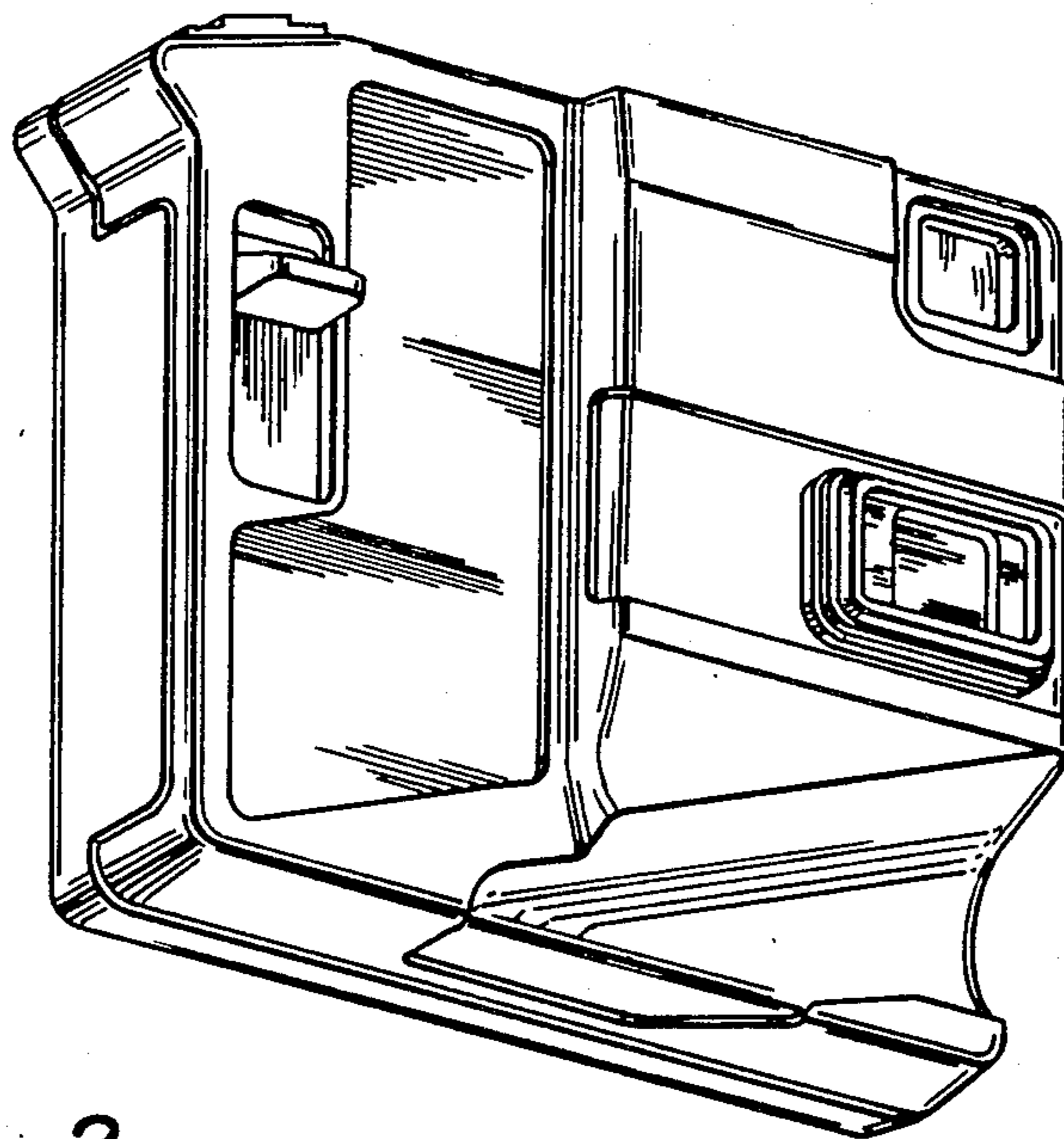
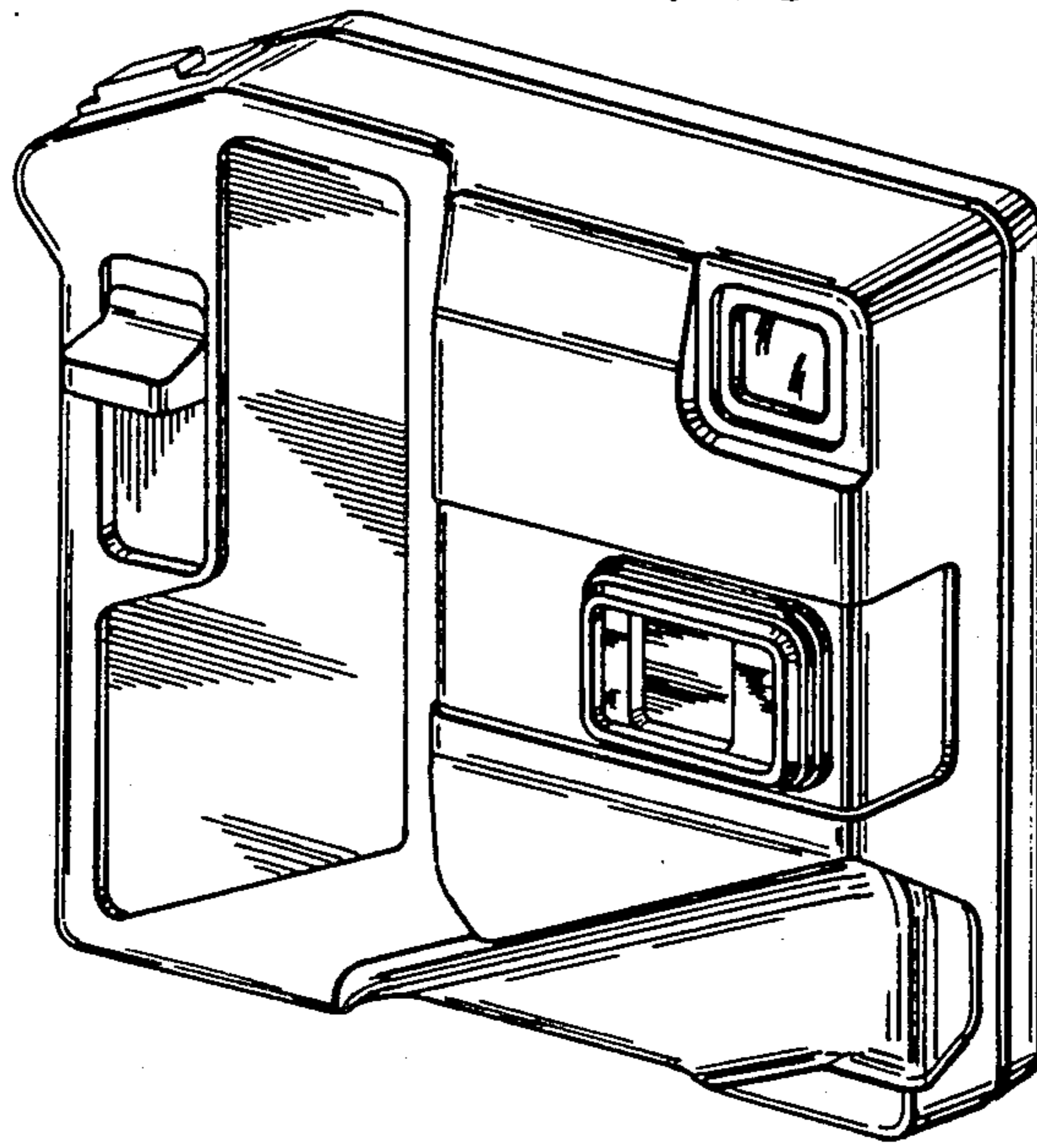


FIG. 2

FIG. 3

