

[54] COMBINED CONTROL CONSOLE AND BRACKET THEREFORE

[75] Inventor: Udo R. Klicpera, Pfronten, Fed. Rep. of Germany

[73] Assignee: MAHO Aktiengesellschaft, Pfronten, Fed. Rep. of Germany

[**] Term: 14 Years

[21] Appl. No.: 804,368

[22] Filed: Nov. 6, 1985

Related U.S. Application Data

[63] Continuation-in-part of Ser. No. 793,634, Oct. 31, 1985, abandoned.

[30] Foreign Application Priority Data

May 8, 1985 [DE] Fed. Rep. of Germany MR IV/4058

[52] U.S. Cl. D14/106

[58] Field of Search D14/100, 105, 102, 103, D14/104, 106, 107, 114; D13/12, 40, 41; 340/700, 711, 720, 365 R; 361/331, 332, 380, 390

[56] References Cited

U.S. PATENT DOCUMENTS

- D. 244,464 5/1977 Davis, Jr. D14/106
- D. 244,614 6/1977 Gilmore et al. D14/106
- D. 276,232 11/1984 Dix et al. D14/106

OTHER PUBLICATIONS

Computer Design, 3-1984, p. 163, Kontron Electronics Display monitor (left).

Primary Examiner—Susan J. Lucas

Attorney, Agent, or Firm—Lahive & Cockfield

[57] CLAIM

The ornamental design for a combined control console and bracket therefore, as shown and described.

DESCRIPTION

FIG. 1 is a top, front perspective view of a combined control console and bracket therefor showing my new design, the retractable front keyboard being in the closed position;

FIG. 2 is a top plan view thereof on a reduced scale;

FIG. 3 is a bottom plan view thereof on a reduced scale;

FIG. 4 is a side elevational view thereof on a reduced scale as seen from the right hand side of FIG. 1;

FIG. 5 is a front elevational view thereof on a reduced scale;

FIG. 6 is a rear elevational view thereof on a reduced scale;

FIG. 7 is a side elevational view thereof on a reduced scale as seen from the left hand side of FIG. 1;

FIG. 8 is a front perspective view of a second embodiment of my new design, with the keyboard in an open, operational position;

FIG. 9 is a top plan view thereof on a reduced scale;

FIG. 10 is a bottom plan view thereof on a reduced scale;

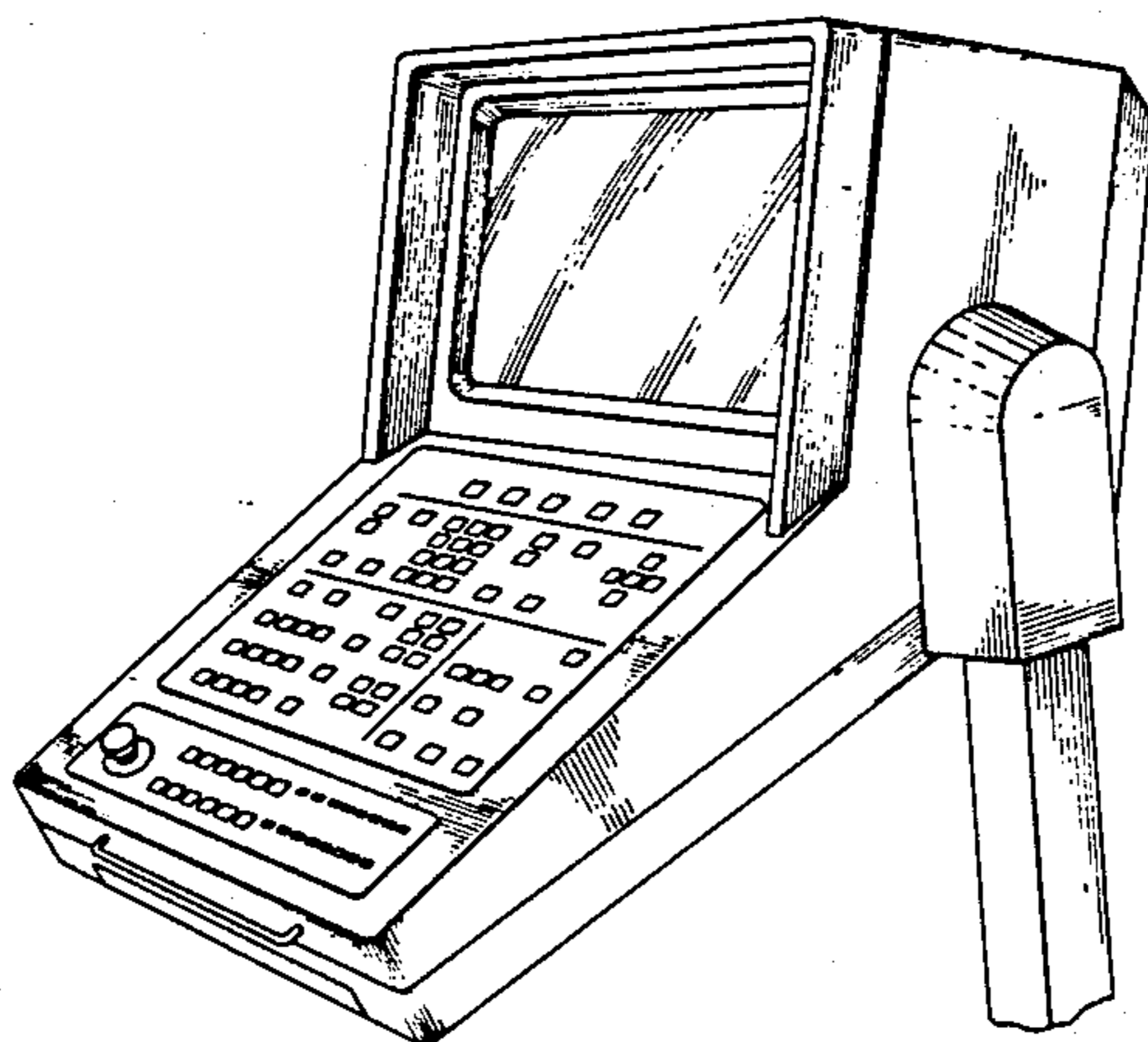
FIG. 11 is a side elevational view thereof on a reduced scale as seen from the right hand side of FIG. 8;

FIG. 12 is a front elevational view thereof on a reduced scale;

FIG. 13 is a rear elevational view thereof on a reduced scale;

FIG. 14 is a side elevational view thereof on a reduced scale as seen from the left hand side of FIG. 8.

The retractable keyboard is common to both embodiments of the design and is shown in the closed position in FIGS. 1 through 7 and in the open position in FIGS. 8 through 14.



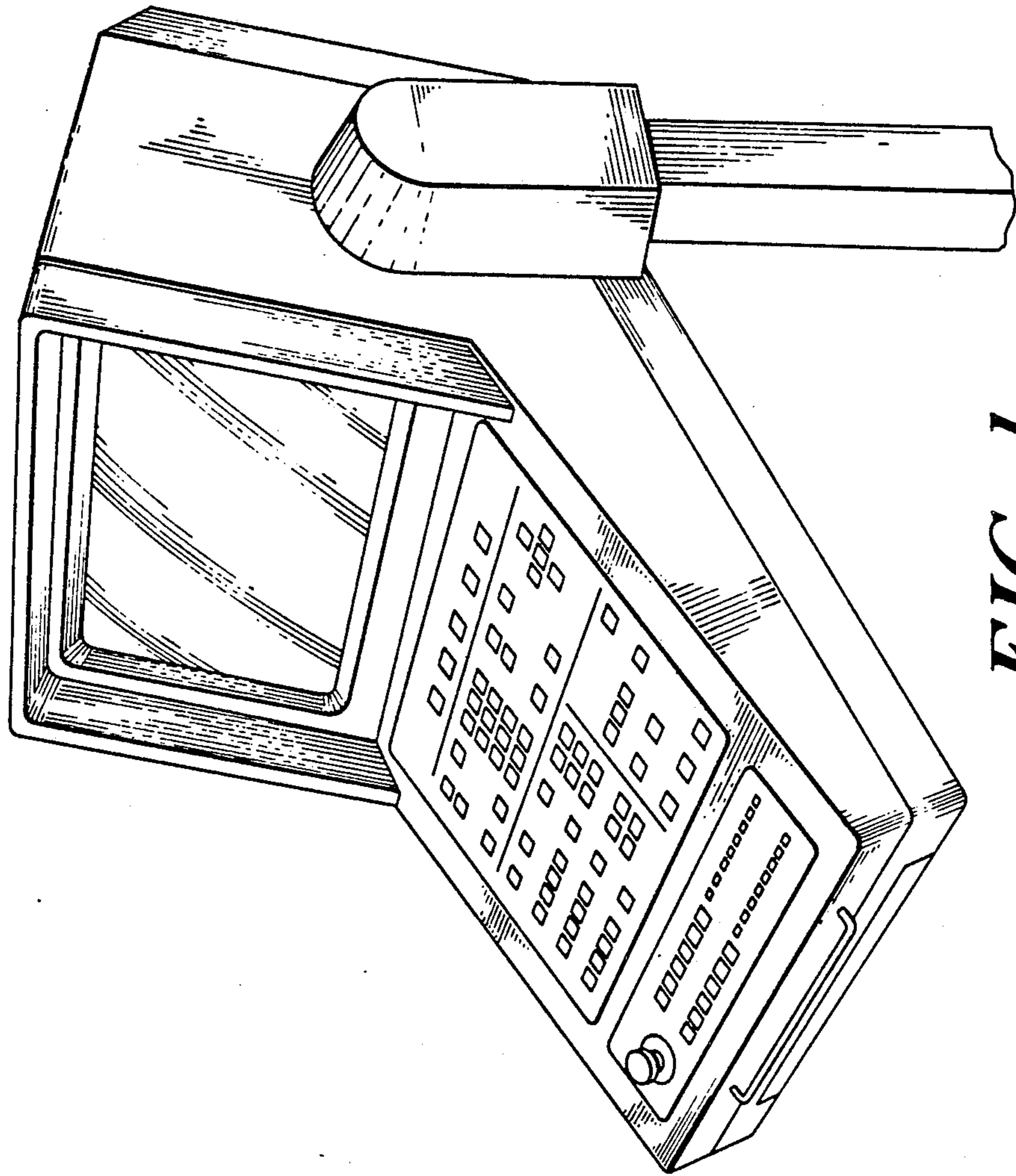


FIG. 1

FIG. 3

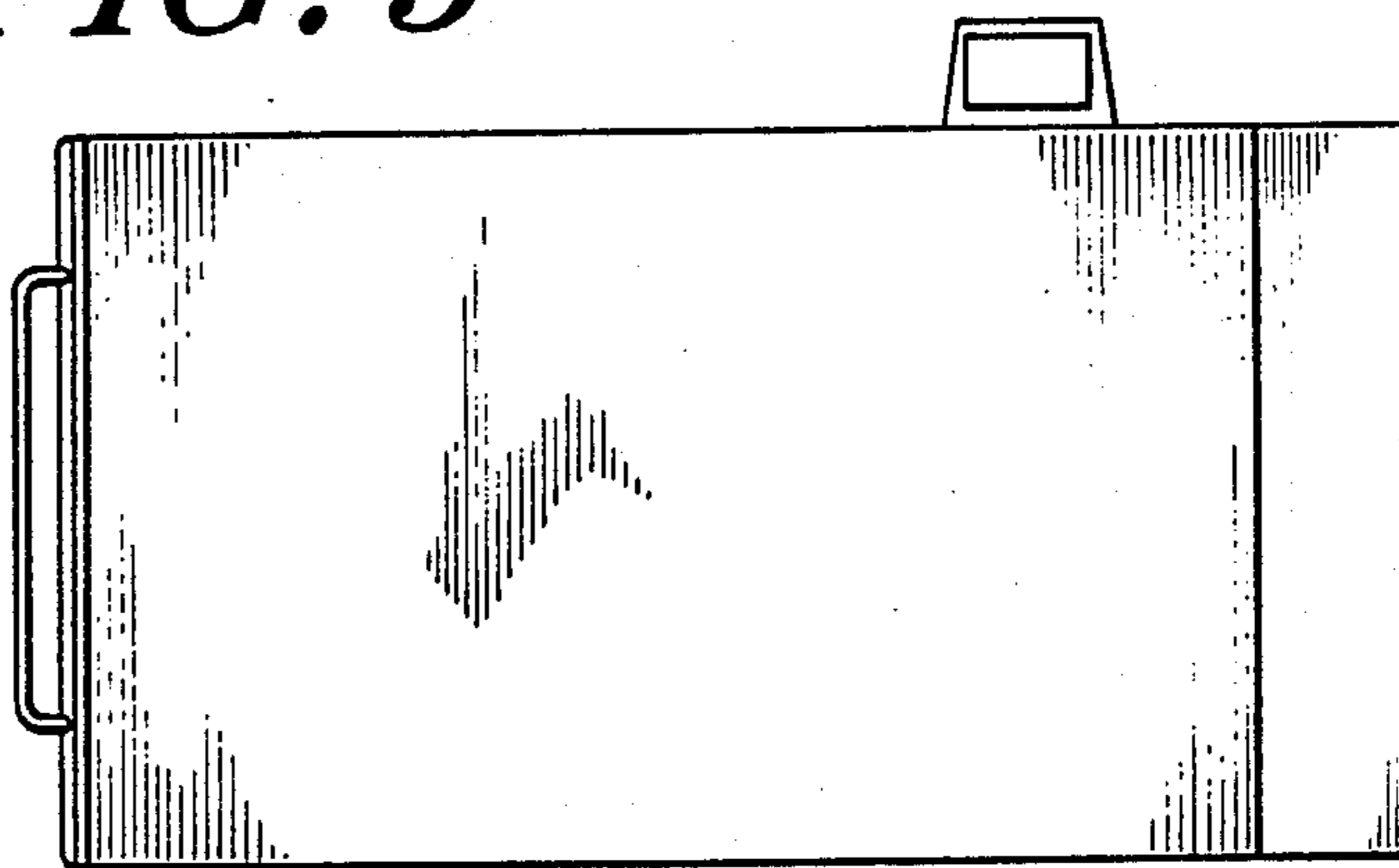


FIG. 4

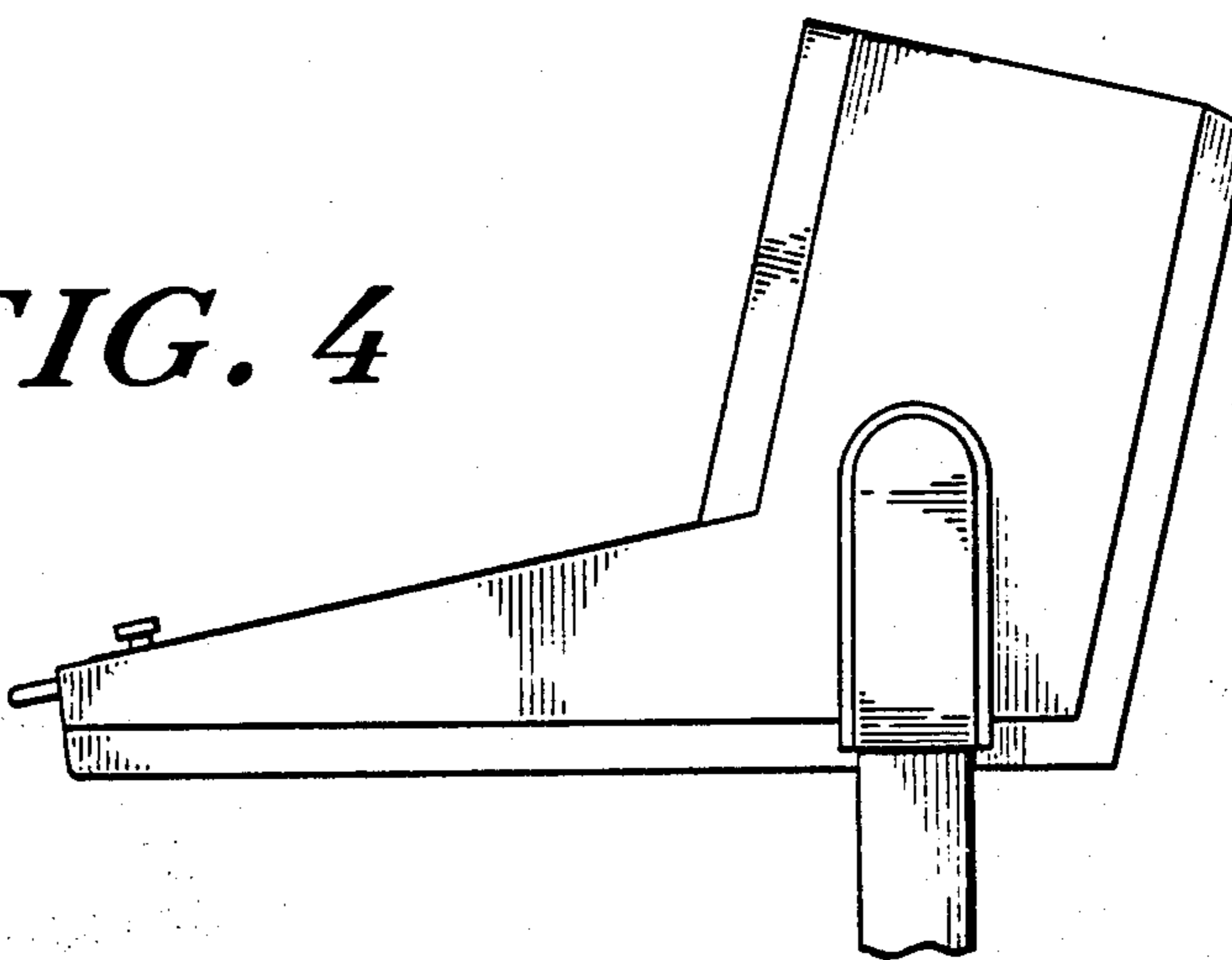
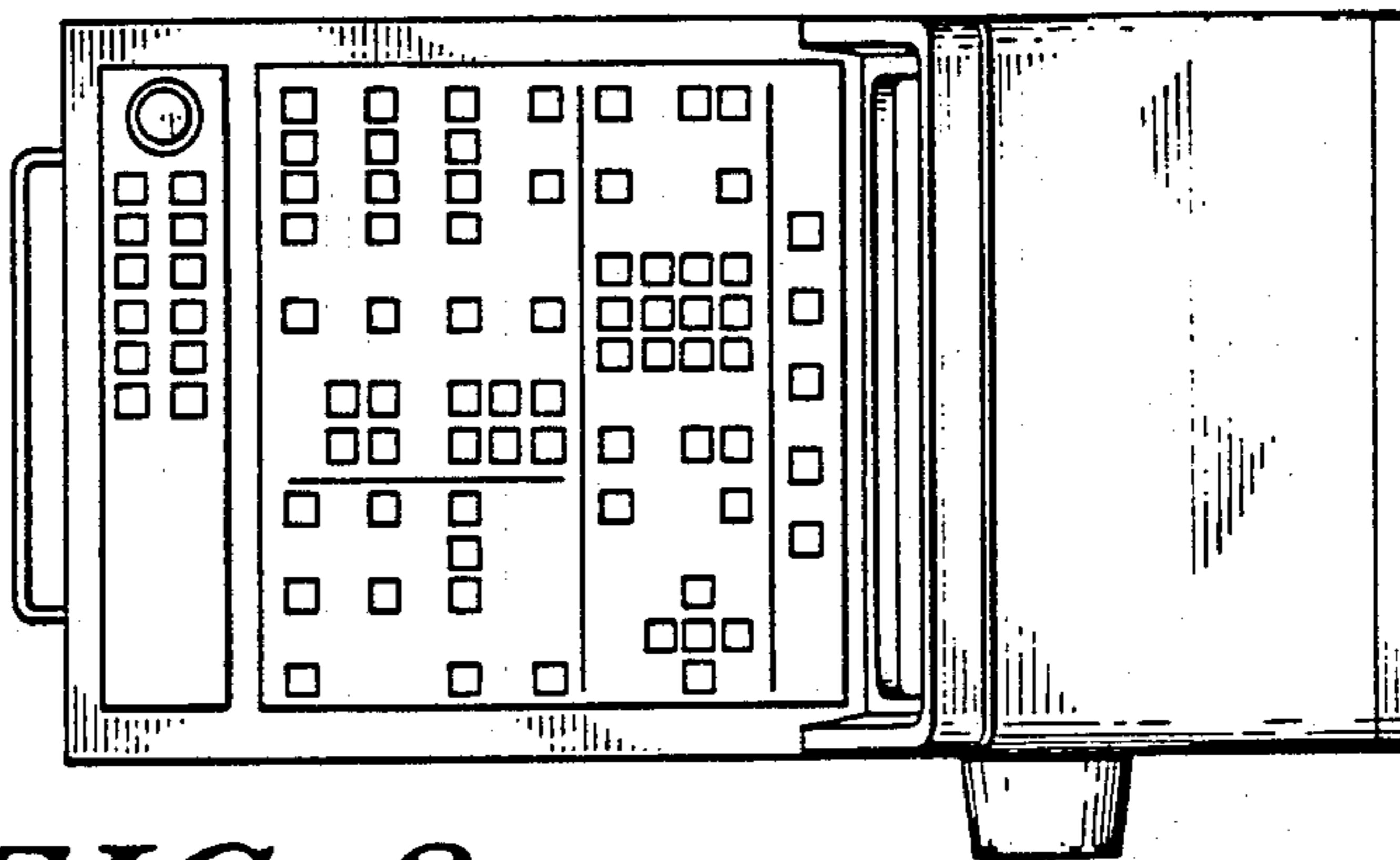


FIG. 2



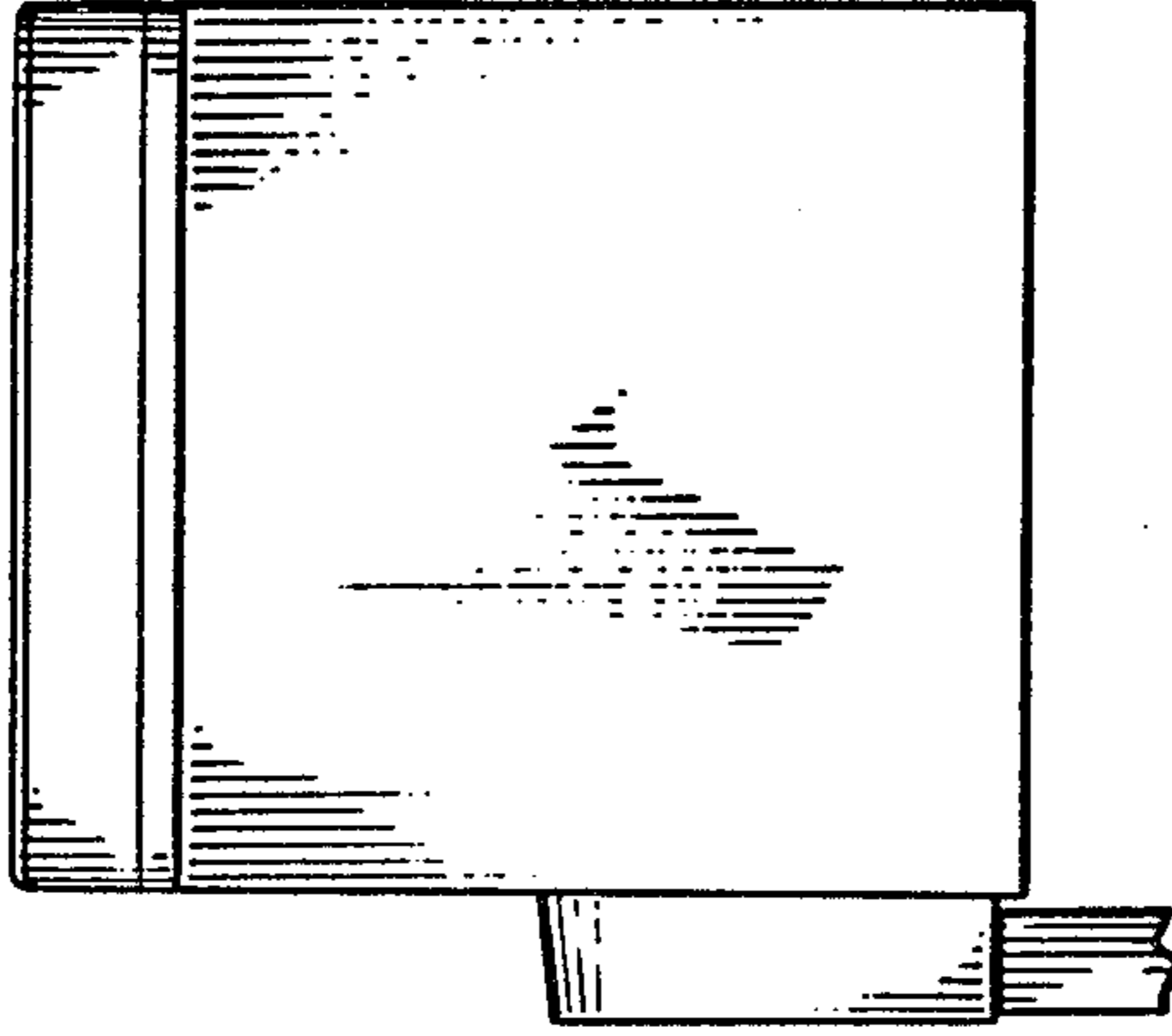


FIG. 6

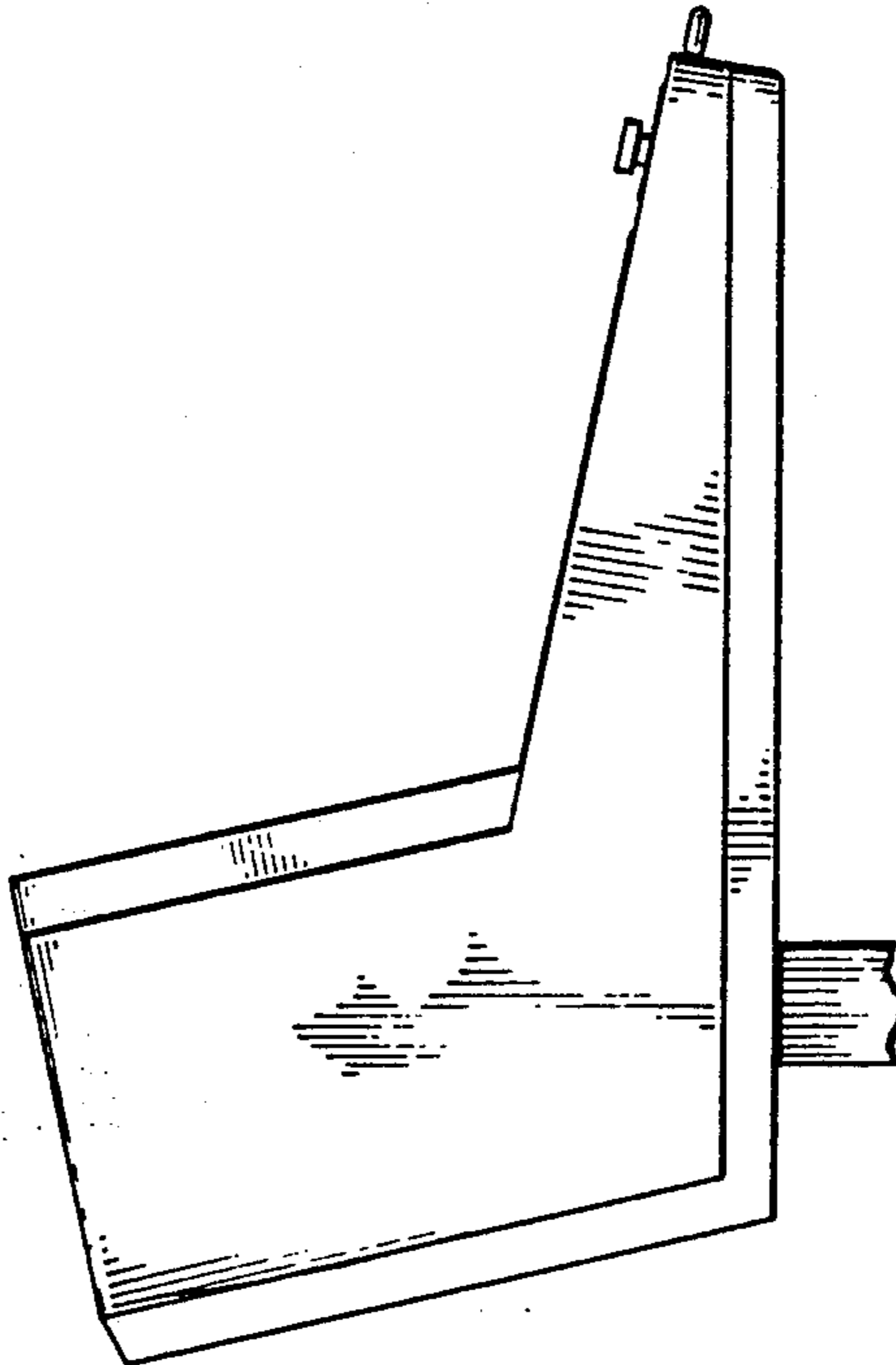


FIG. 7

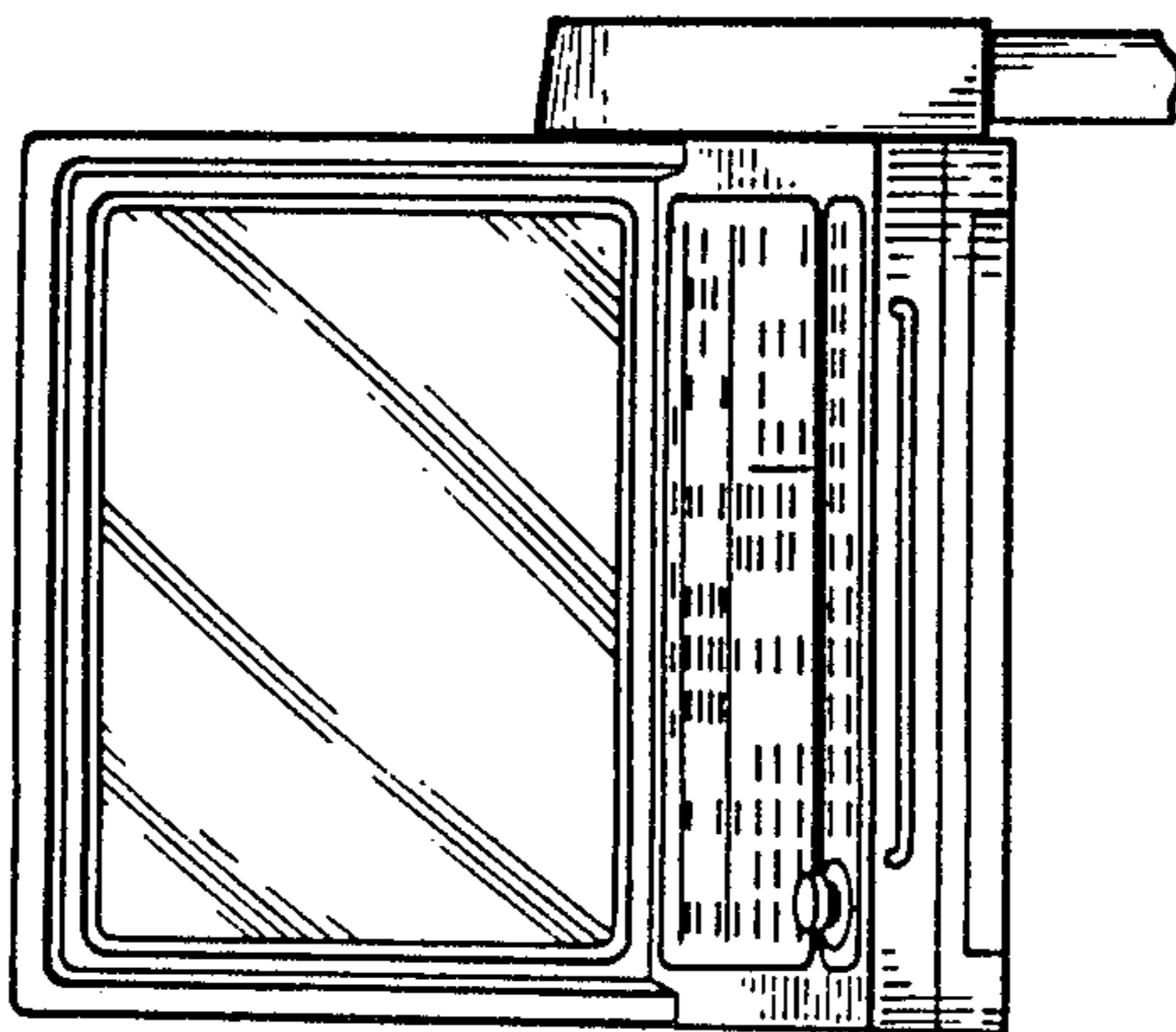


FIG. 5

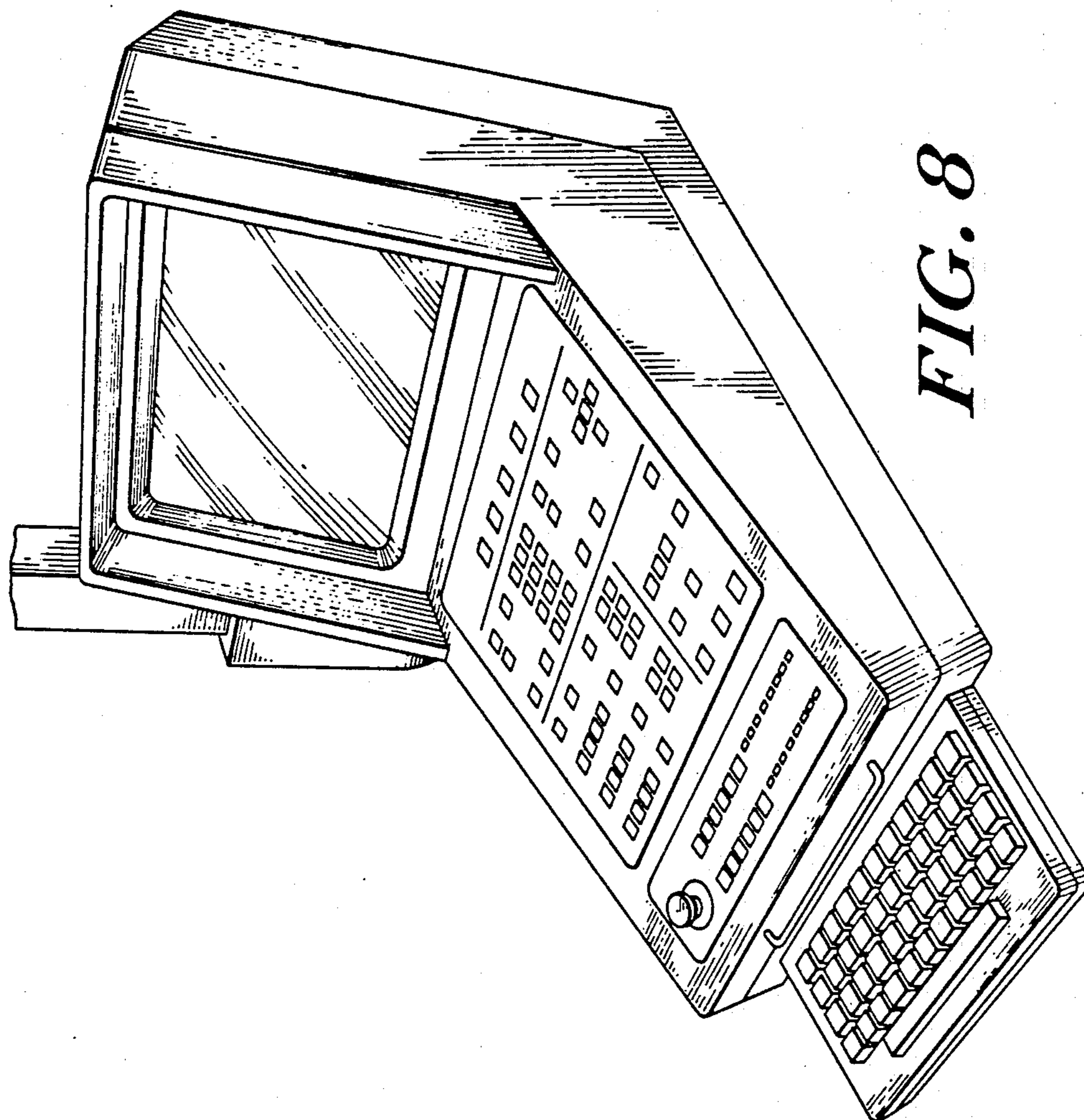


FIG. 8

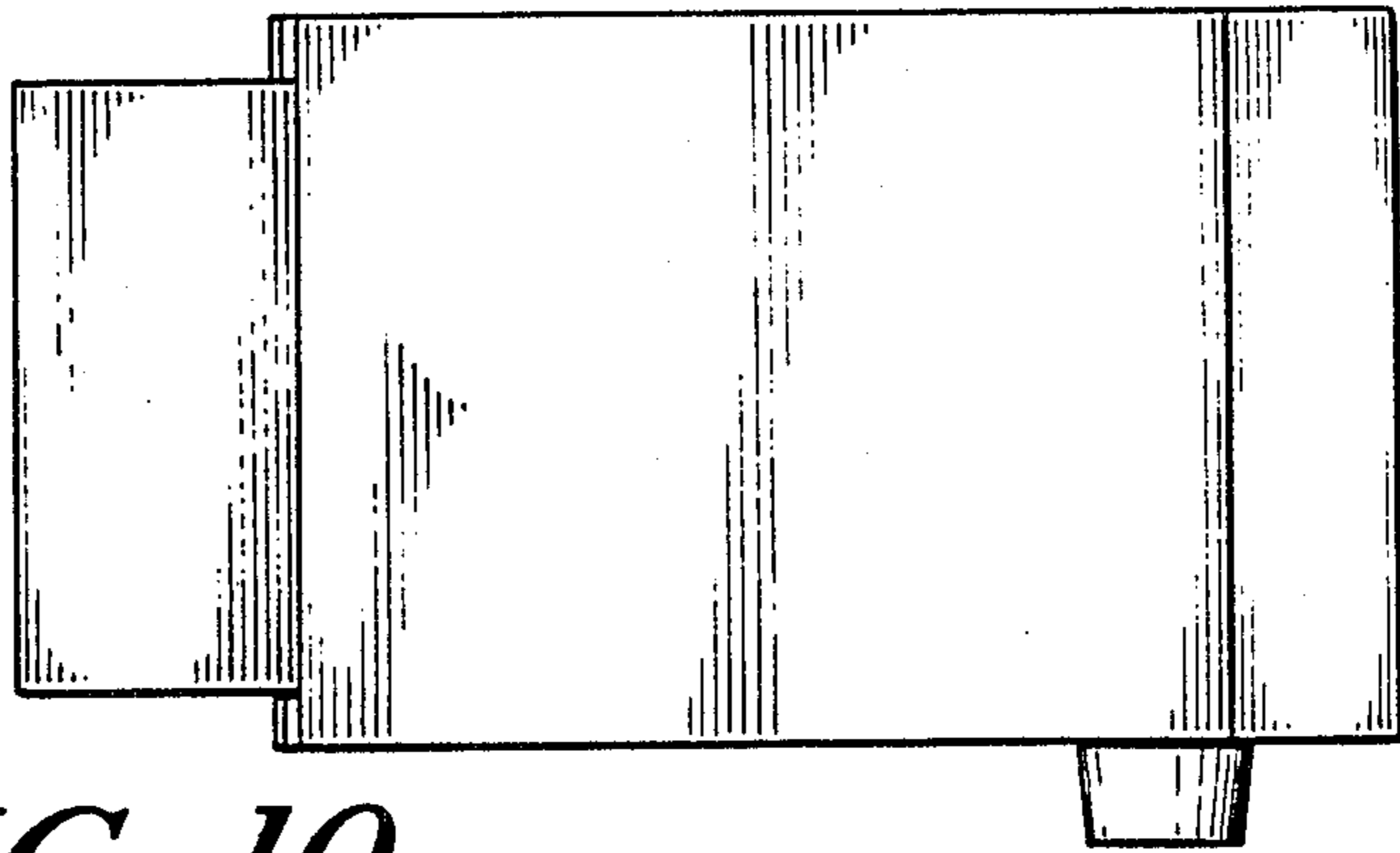


FIG. 10

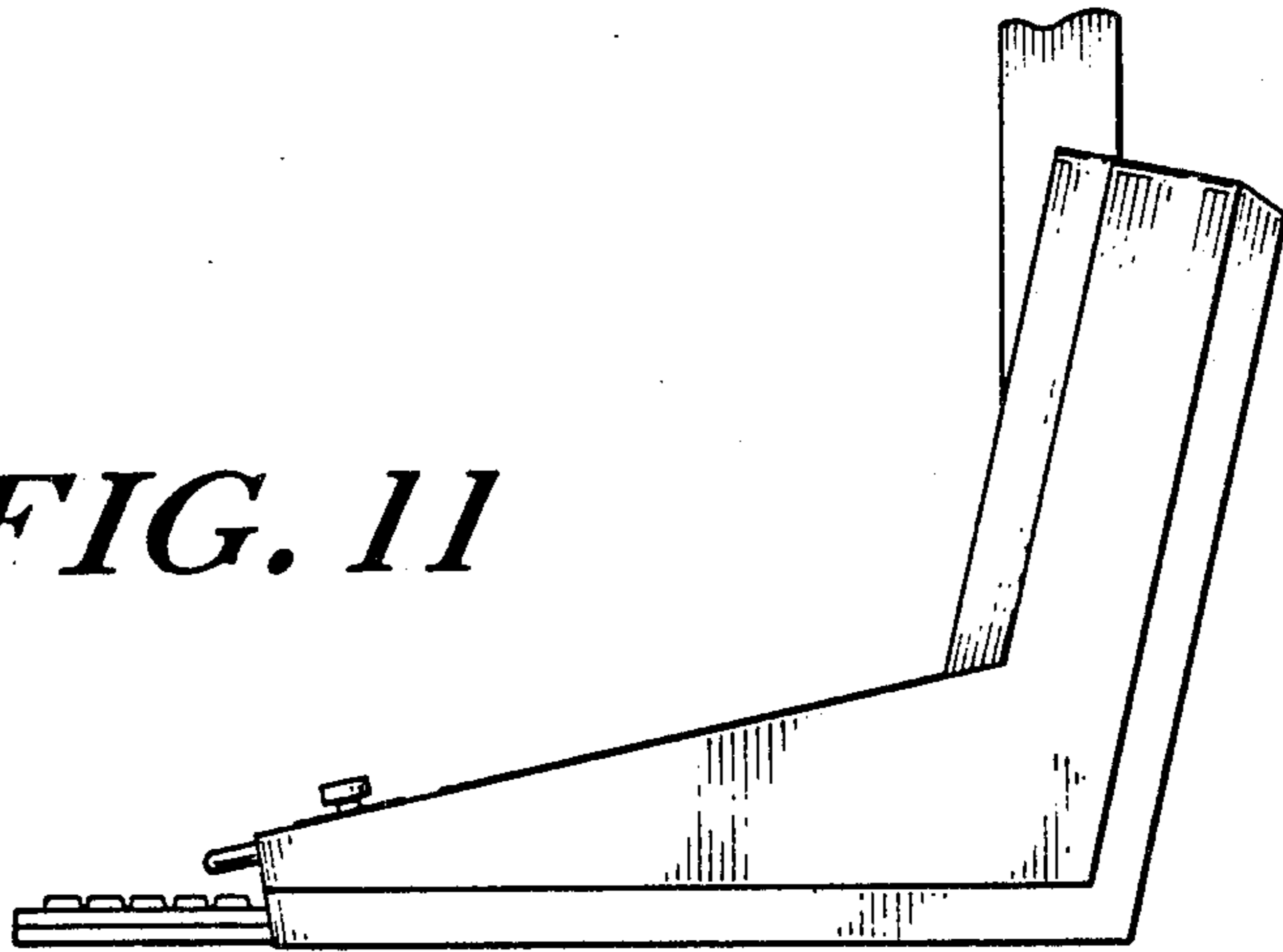


FIG. 11

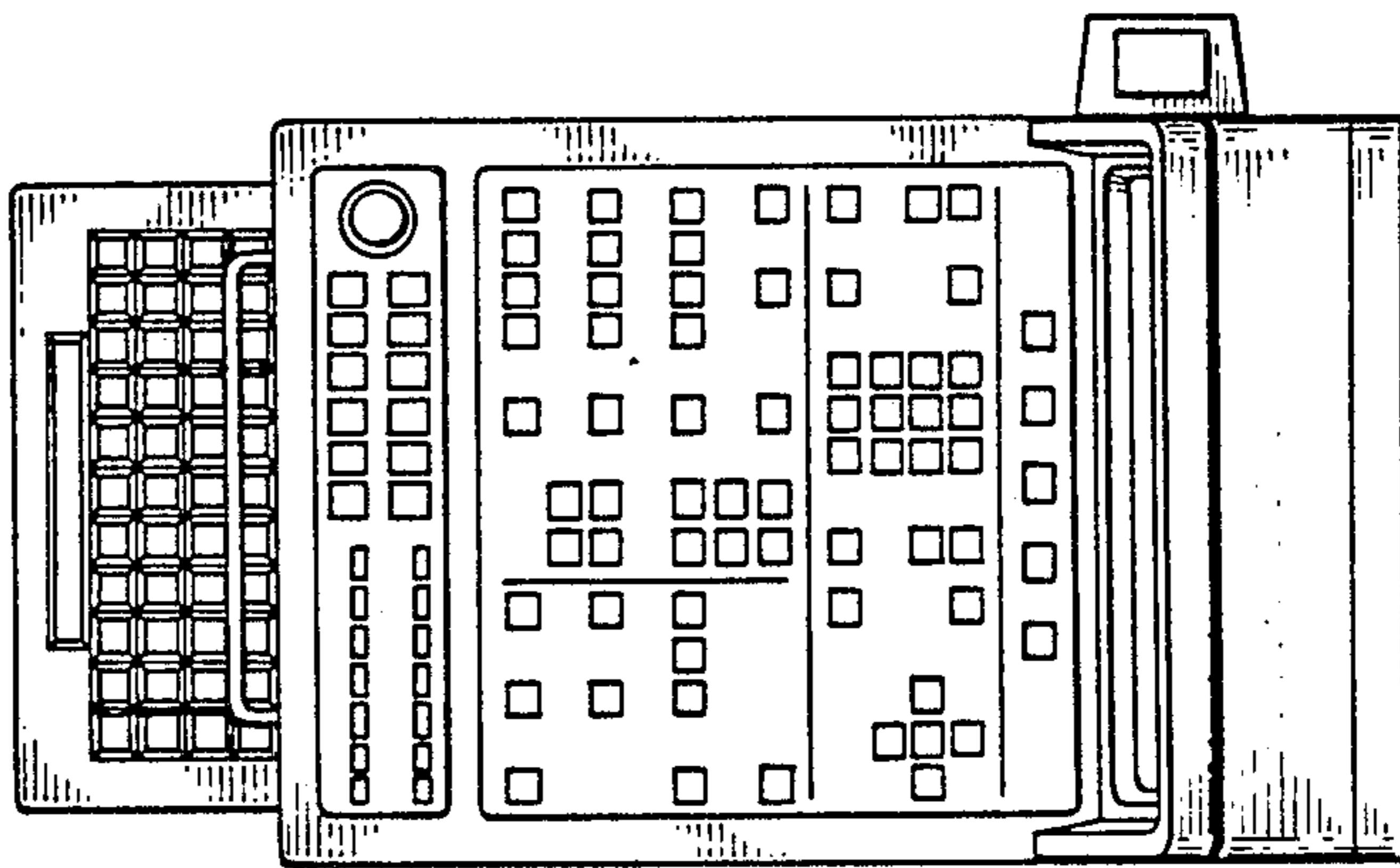


FIG. 9

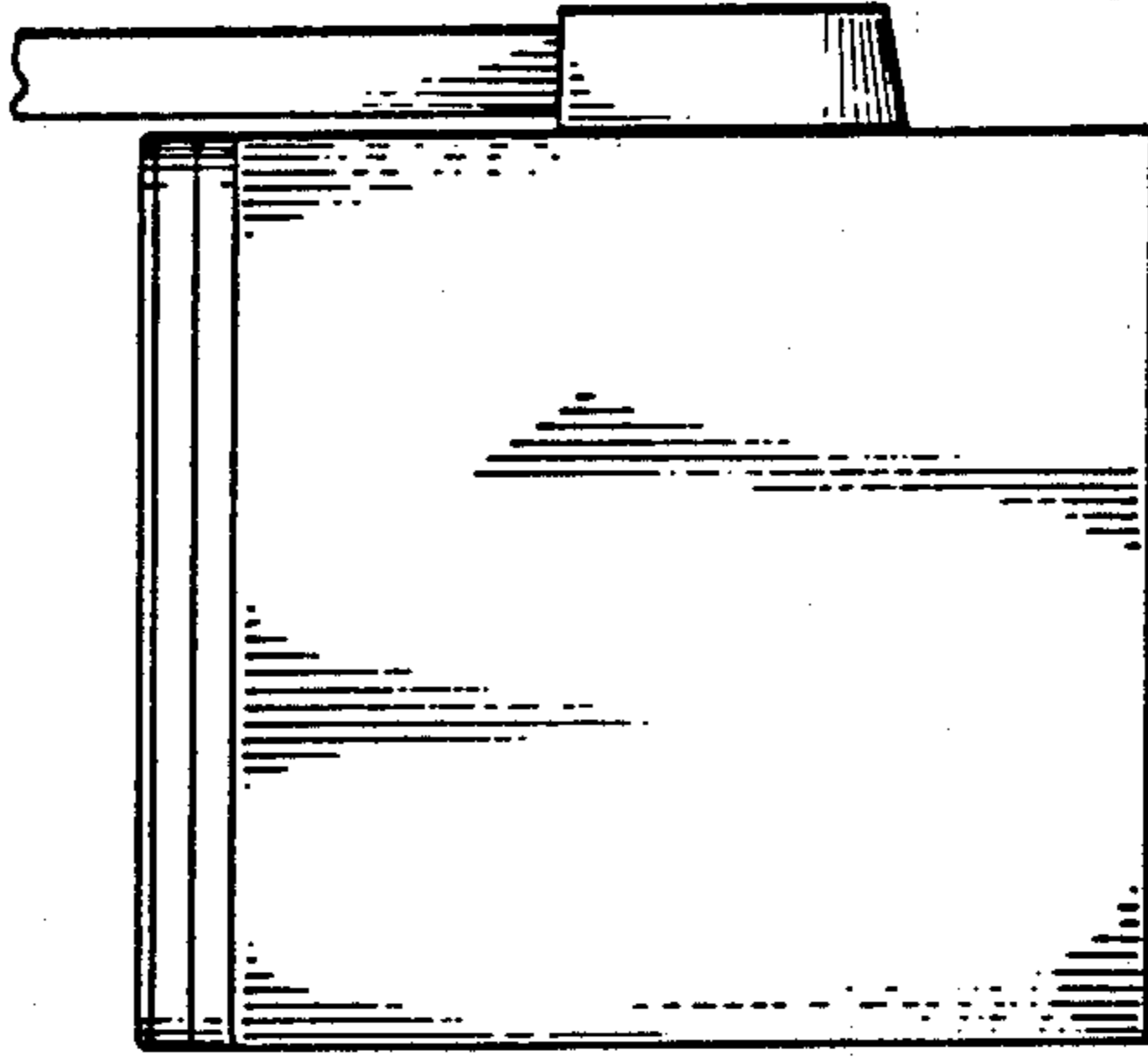


FIG. 13

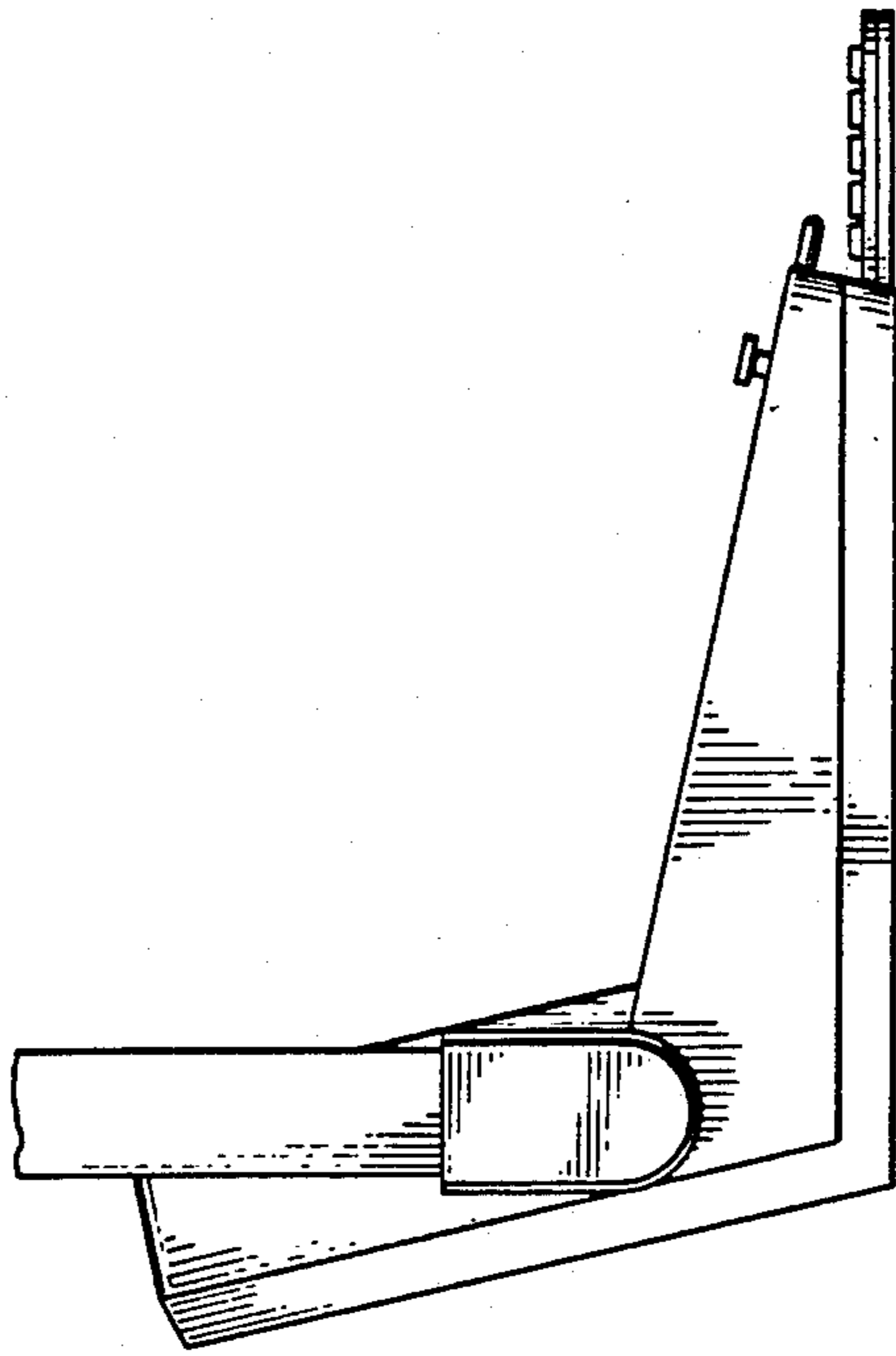


FIG. 14

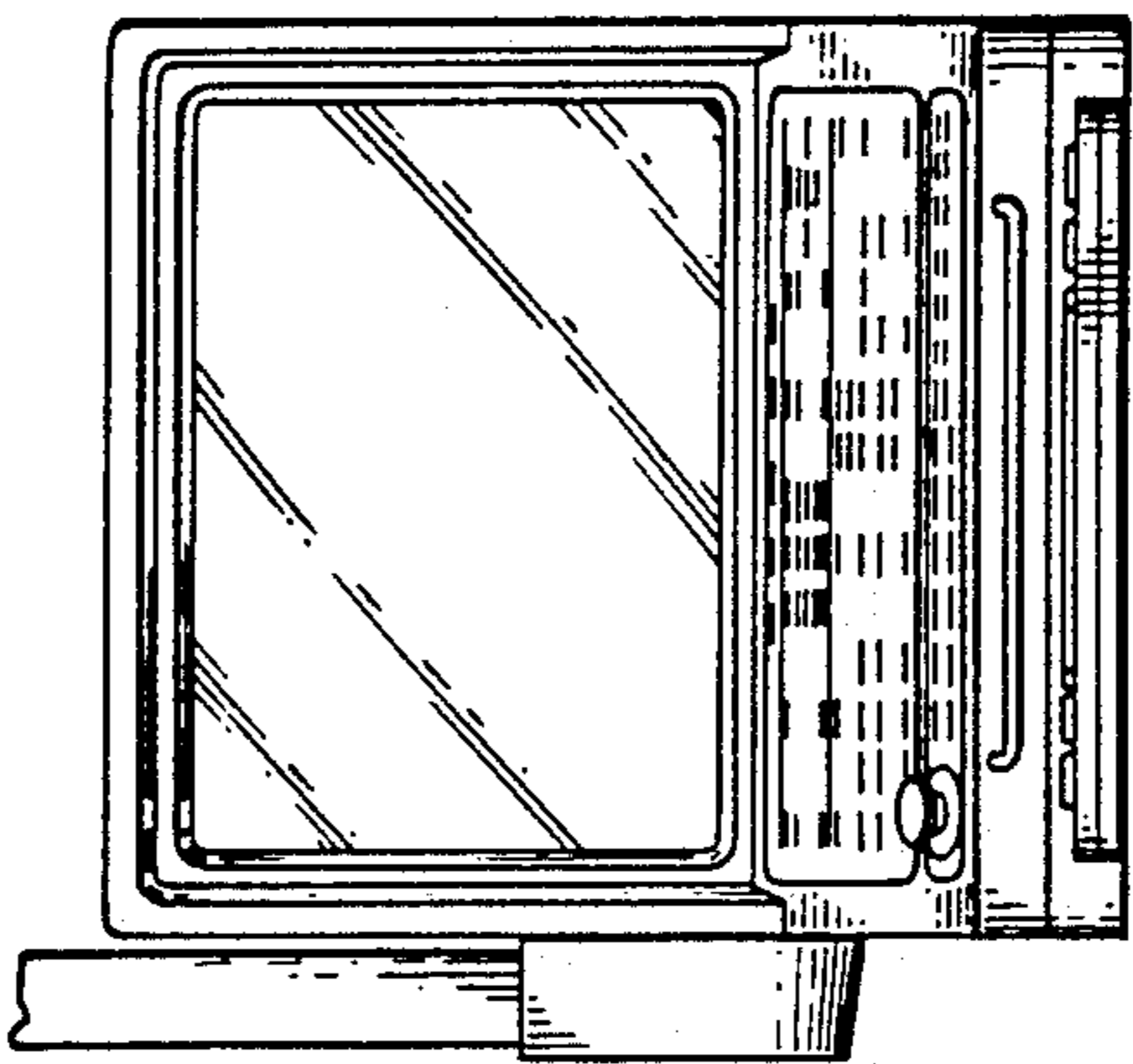


FIG. 12