

[54] FLUORESCENT LAMP SOCKET

[75] Inventors: Mitsuyuki Futatsugi; Fuminobu Takizawa; Kiyoshi Iwasawa, all of Kamakura, Japan

[73] Assignee: Mitsubishi Denki Kabushiki Kaisha, Tokyo, Japan

[**] Term: 14 Years

[21] Appl. No.: 804,365

[22] Filed: Nov. 8, 1985

[30] Foreign Application Priority Data

Aug. 14, 1985 [JP] Japan 60-34832

[52] U.S. Cl. D13/25

[58] Field of Search D26/1, 2, 3, 26; 313/485, 493, 318; D13/25; 339/50 R-55, 144 R, 146, 119 L, 206 L, 176 L, 177 L, 182 L, 184 L, 191 L

[56] References Cited

U.S. PATENT DOCUMENTS

D. 109,716 5/1938 Kende D26/2
4,426,602 1/1984 Mollet et al. 313/318 X

OTHER PUBLICATIONS

Leecraft Wedgebase Lighting System catalog, 1983, p. 3, wedge base #23-40PL.

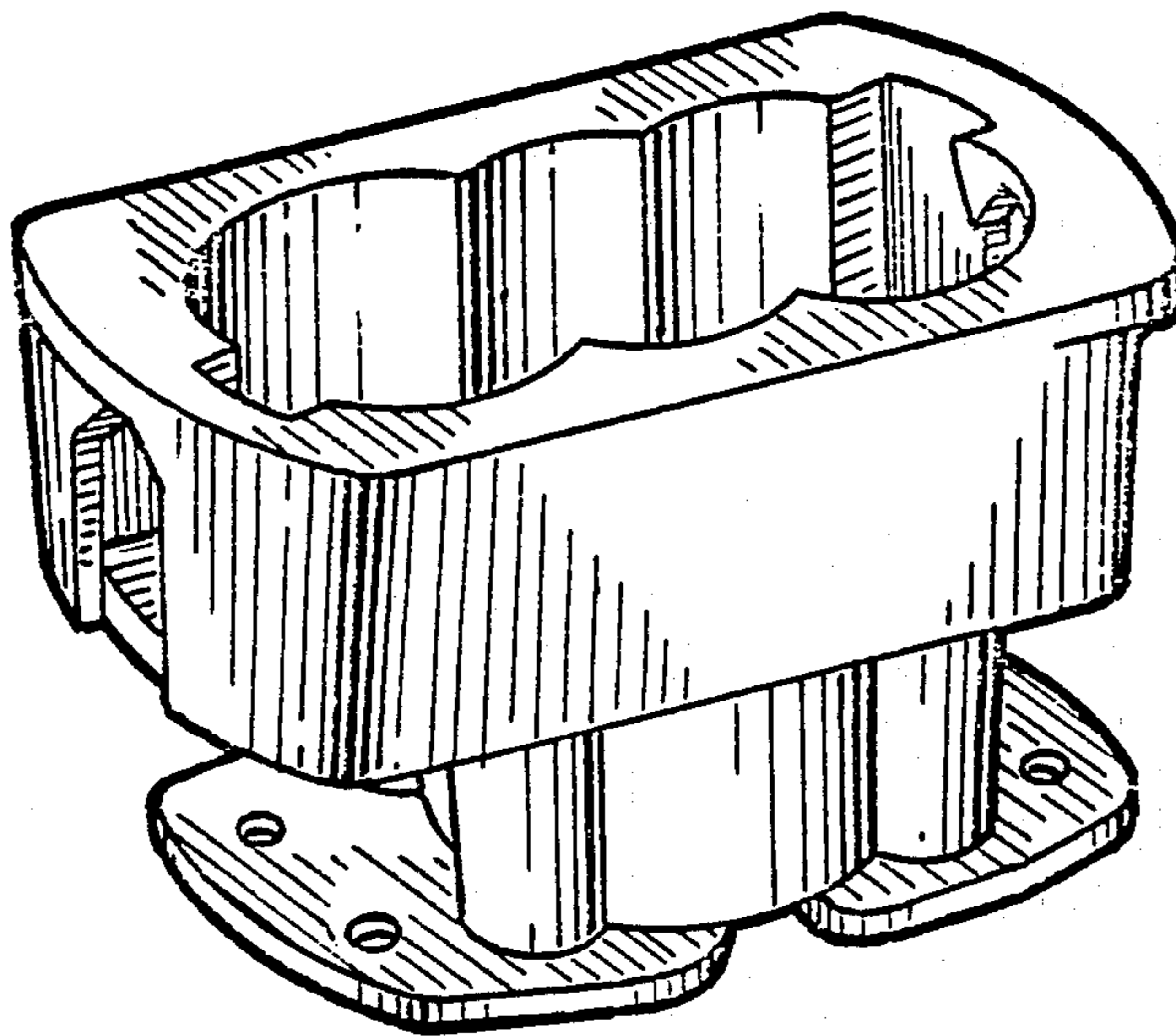
Primary Examiner—Susan J. Lucas
Attorney, Agent, or Firm—Oblon, Fisher, Spivak, McClelland & Maier

[57] CLAIM

An ornamental design for a fluorescent lamp socket, as shown and described.

DESCRIPTION

FIG. 1 is a front elevational view of a fluorescent lamp socket showing our new design;
FIG. 2 is a rear elevational view thereof;
FIG. 3 is a left side view thereof, the right side being a mirror image;
FIG. 4 is a top plan view thereof;
FIG. 5 is a bottom plan view thereof;
FIG. 6 is an enlarged sectional view as taken along line 6-6 of FIG. 4;
FIG. 7 is an enlarged sectional view as taken along line 7-7 of FIG. 1;
FIG. 8 is a top, front and left side perspective view thereof; and
FIG. 9 is a bottom, rear right side perspective view thereof.



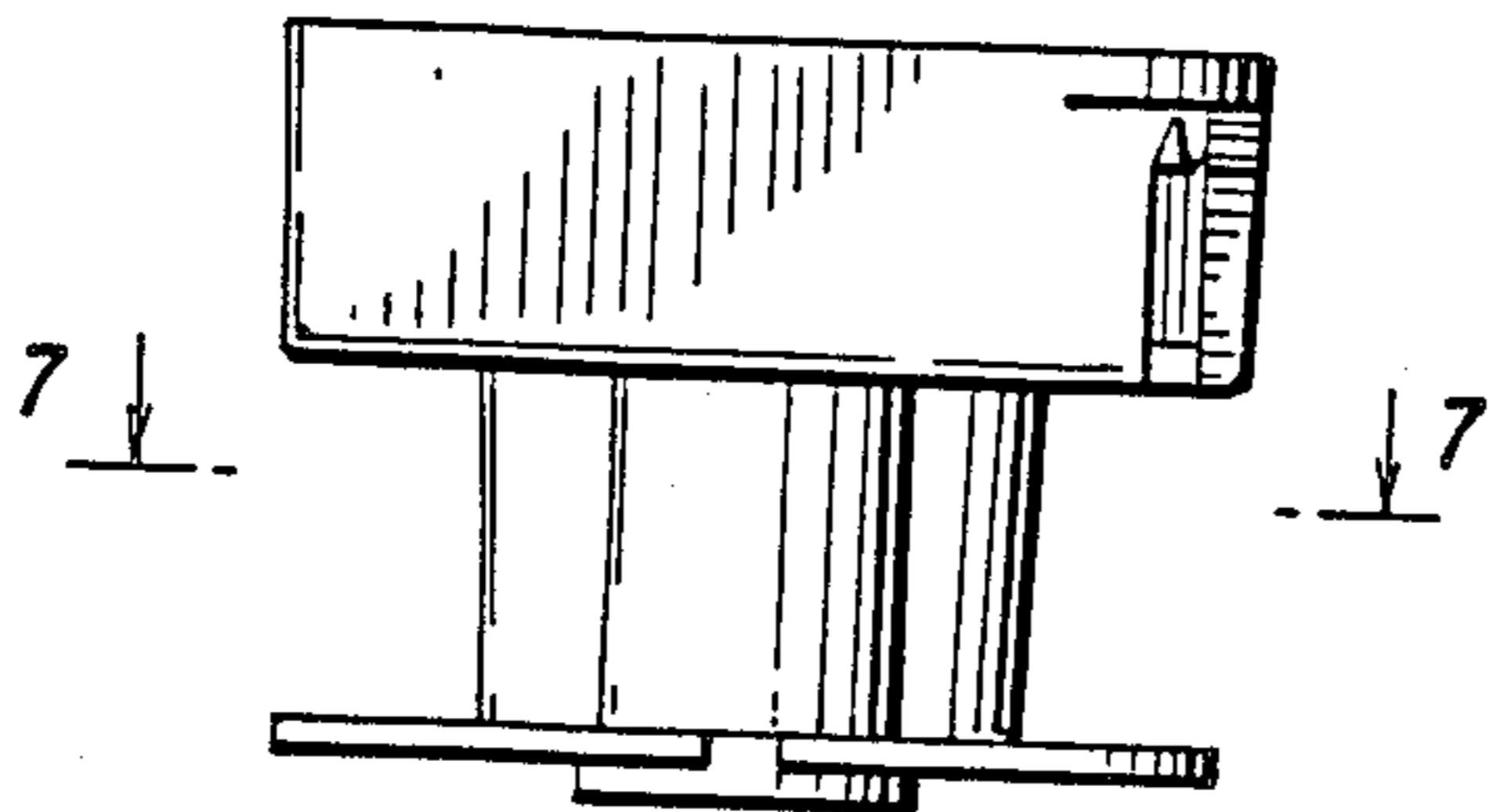


FIG. 1

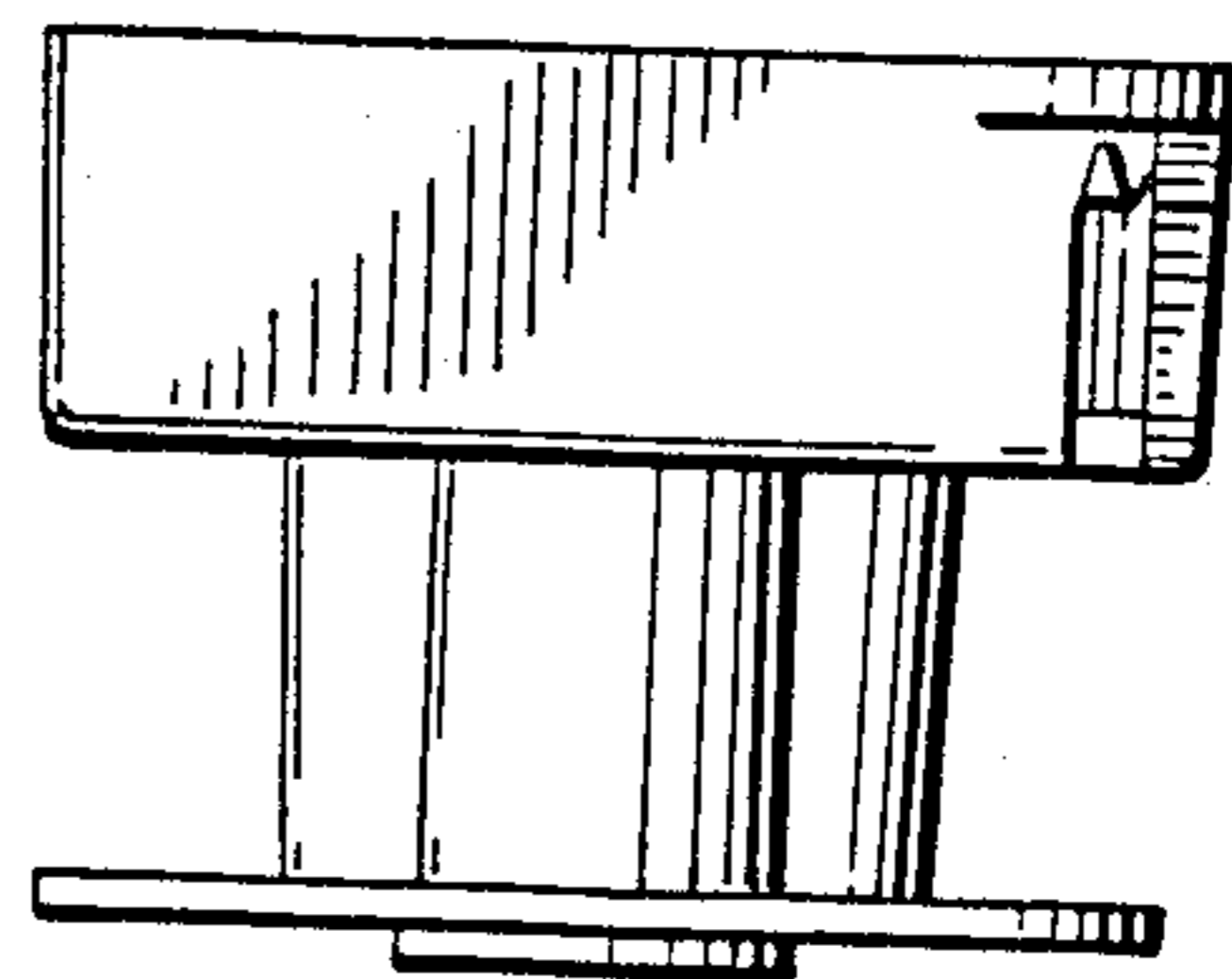


FIG. 2

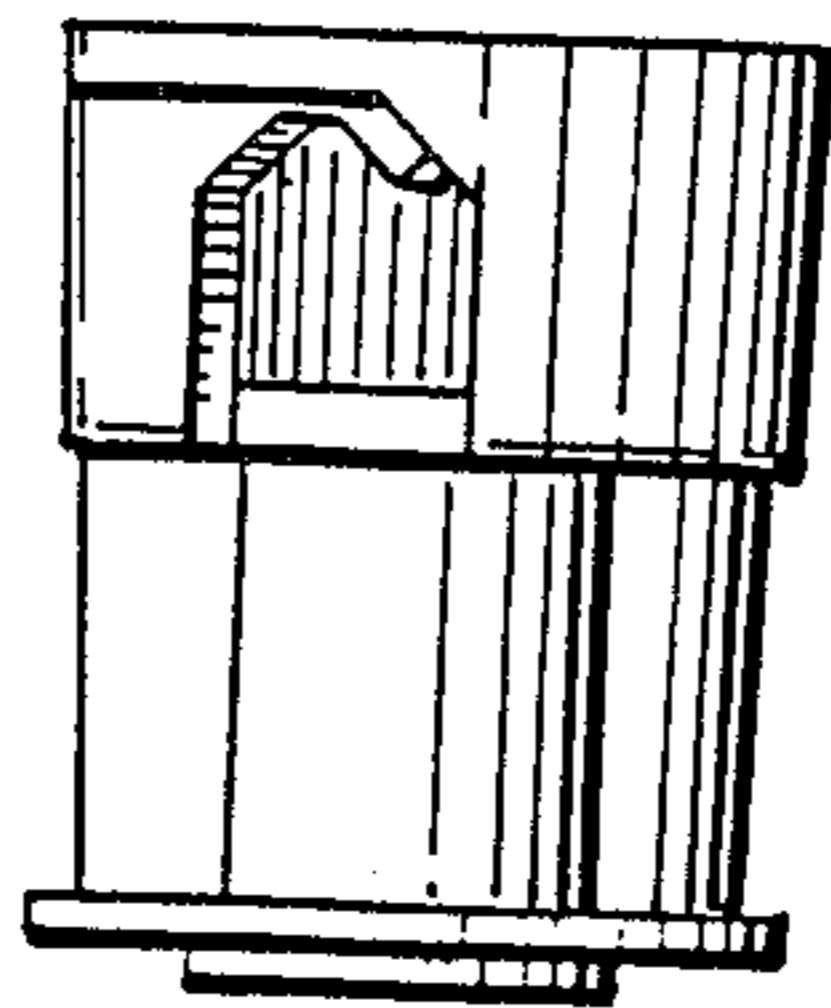


FIG. 3

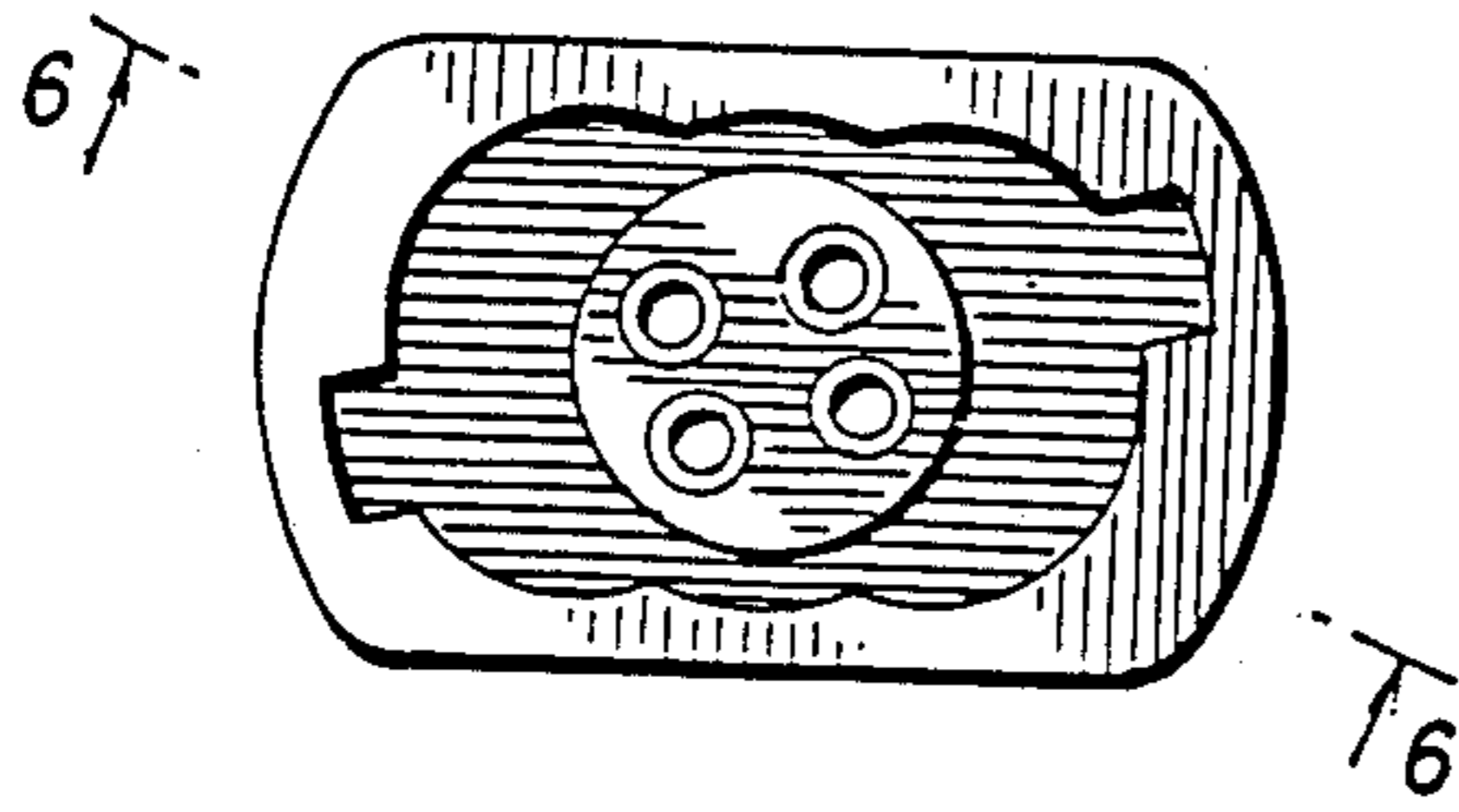


FIG. 4

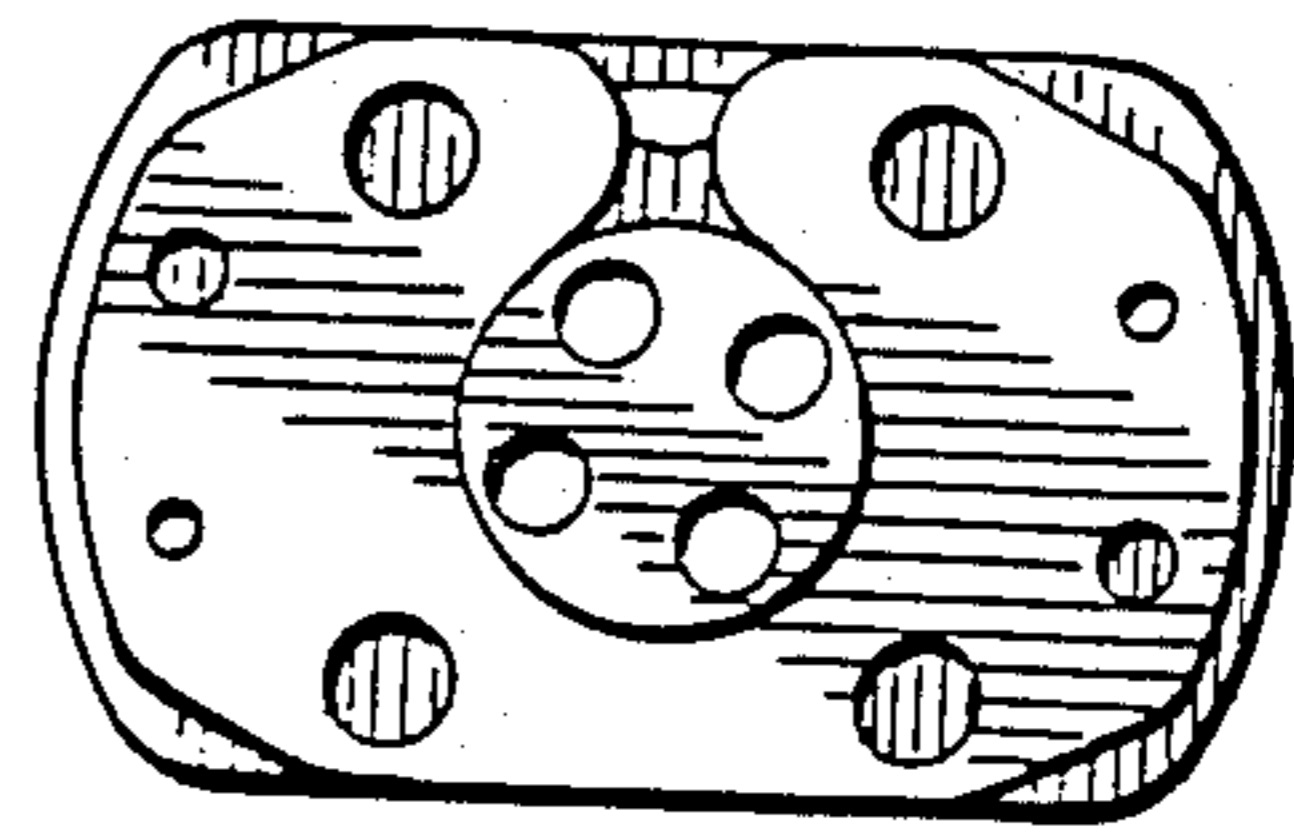


FIG. 5

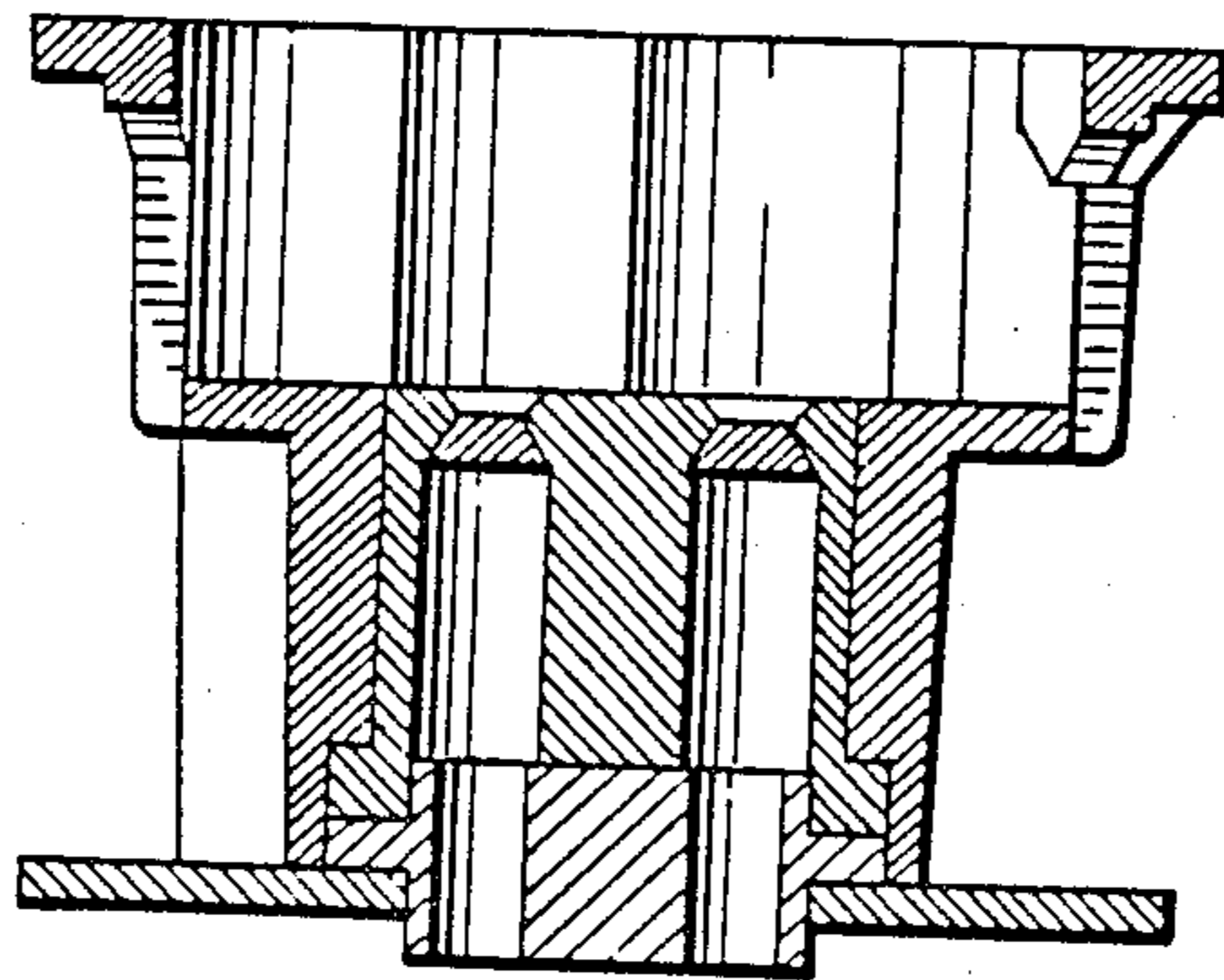


FIG. 6

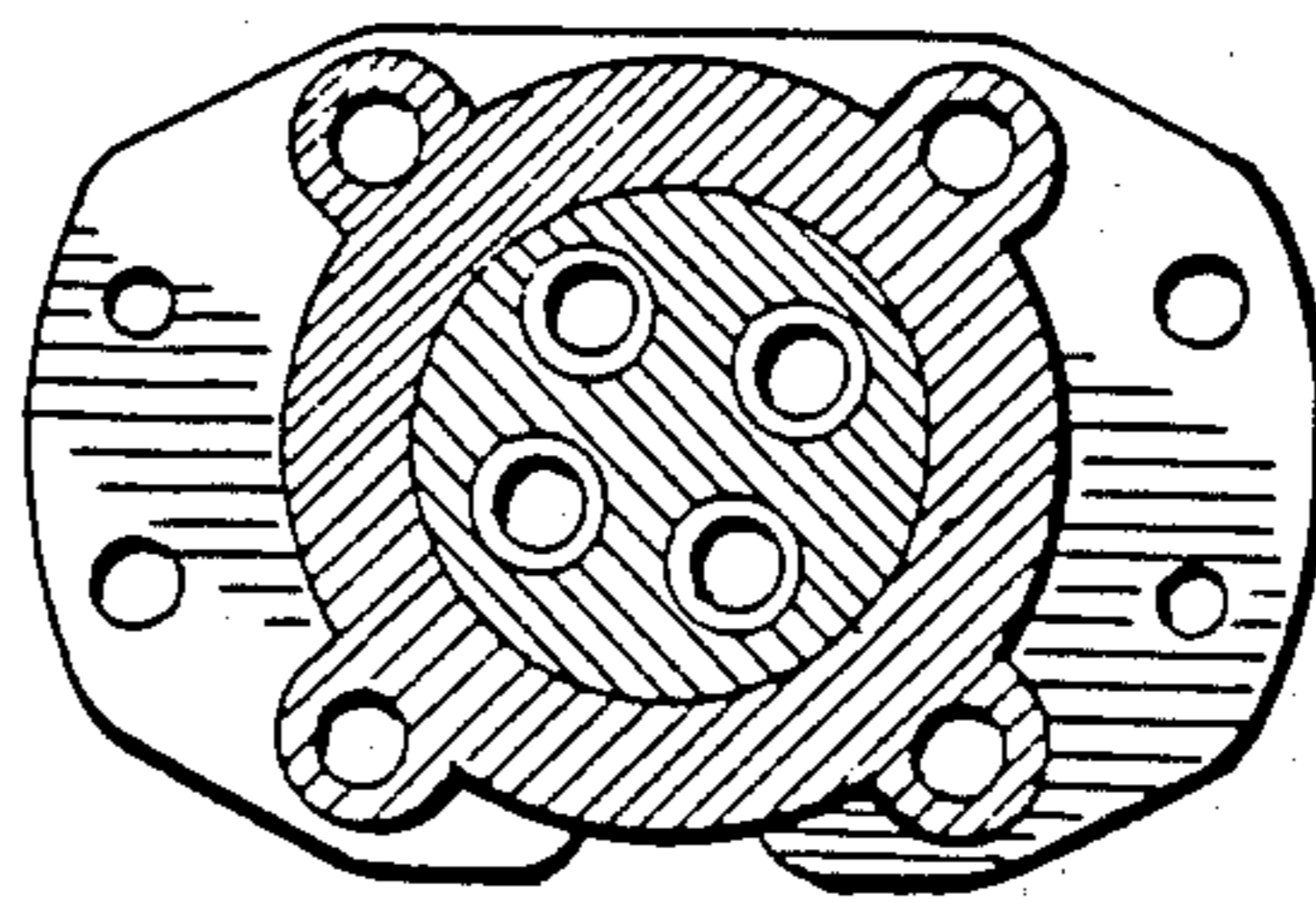


FIG. 7

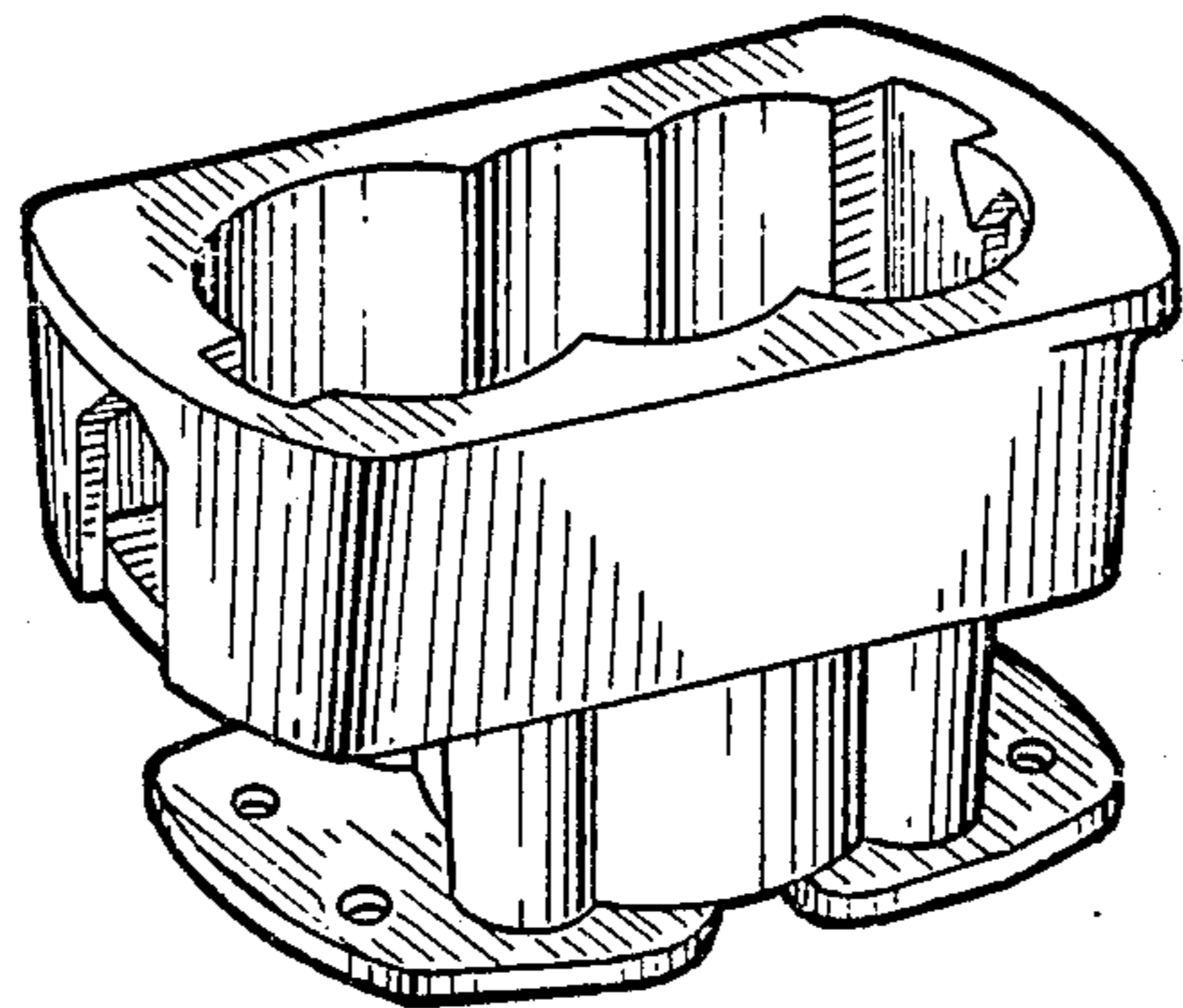


FIG. 8

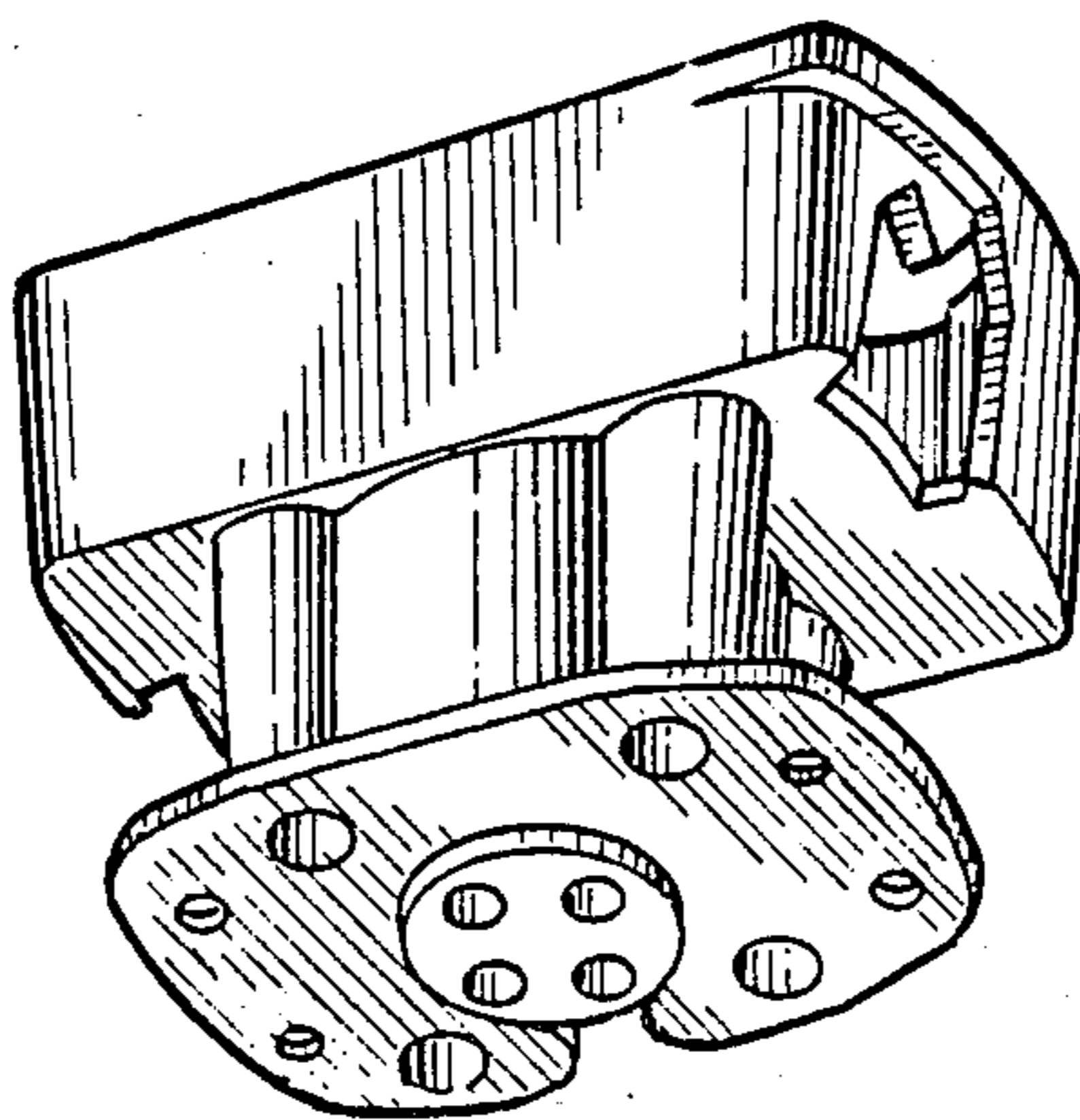


FIG. 9