

[54] STEERING COLUMN-MOUNTED ALERT DISPLAY

[75] Inventor: George A. Wooldridge, Warren, Mich.

[73] Assignee: United Technologies Automotive, Inc., Dearborn, Mich.

[**] Term: 14 Years

[21] Appl. No.: 762,901

[22] Filed: Aug. 6, 1985

[52] U.S. Cl. D12/177

[58] Field of Search D12/177; 74/552; 200/61.54

[56] References Cited

U.S. PATENT DOCUMENTS

- D. 276,037 10/1984 Montgomery D12/177
- D. 276,038 10/1984 Montgomery D12/177
- 4,421,960 12/1983 Arima et al. 200/61.54
- 4,485,371 11/1984 Yamada et al. 200/61.54

Primary Examiner—James M. Gandy

[57] CLAIM

The ornamental design of a steering column-mounted alert display, as shown and described.

DESCRIPTION

FIG. 1 is a front, left side and top perspective view of a steering column-mounted alert display showing my new design.

FIG. 2 is a top plan view thereof, the back being plain and smooth.

FIG. 3 is an enlarged front elevational view thereof. The broken lines in the drawing are for illustrative purposes only and form no part of the claimed design.

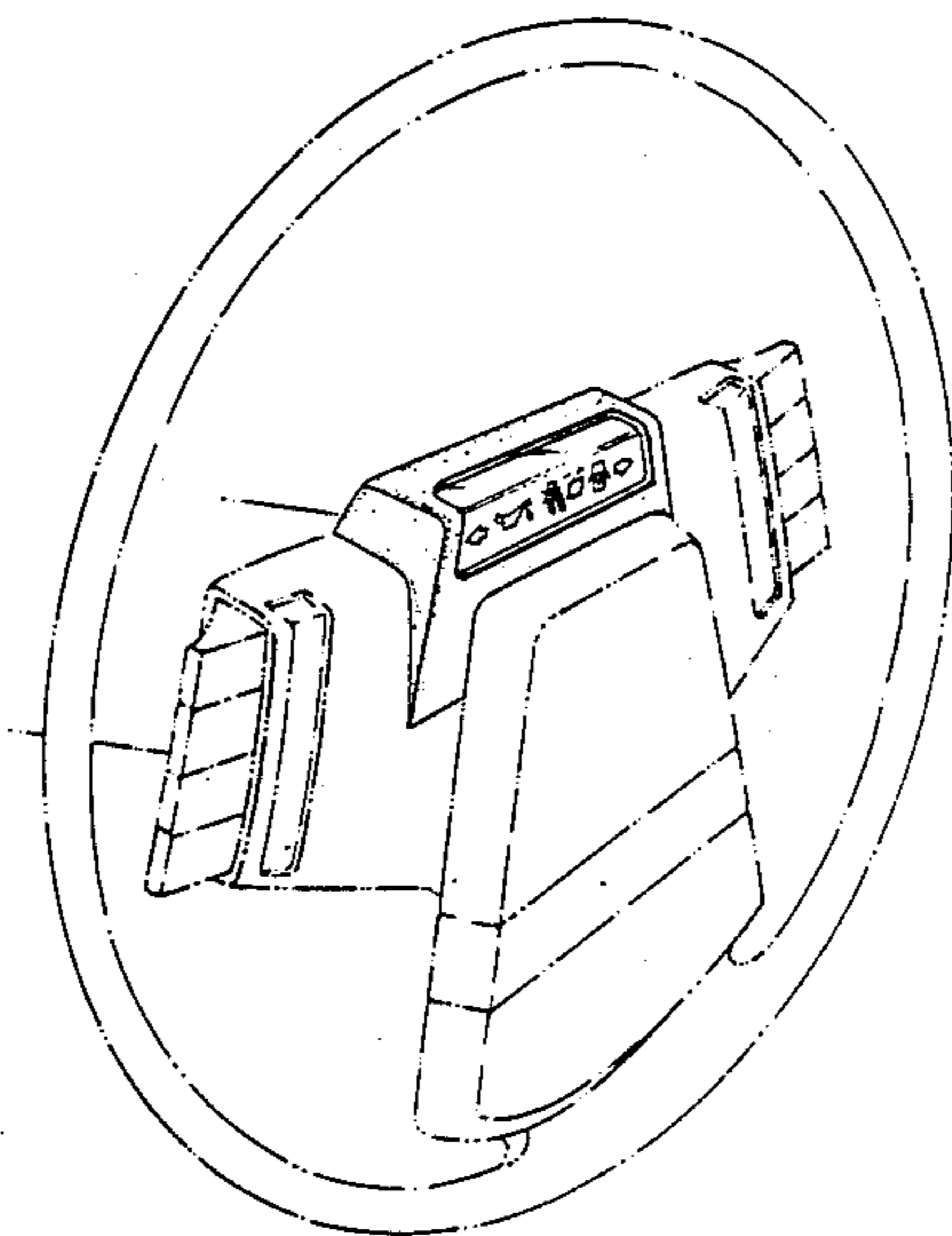


FIG. 1

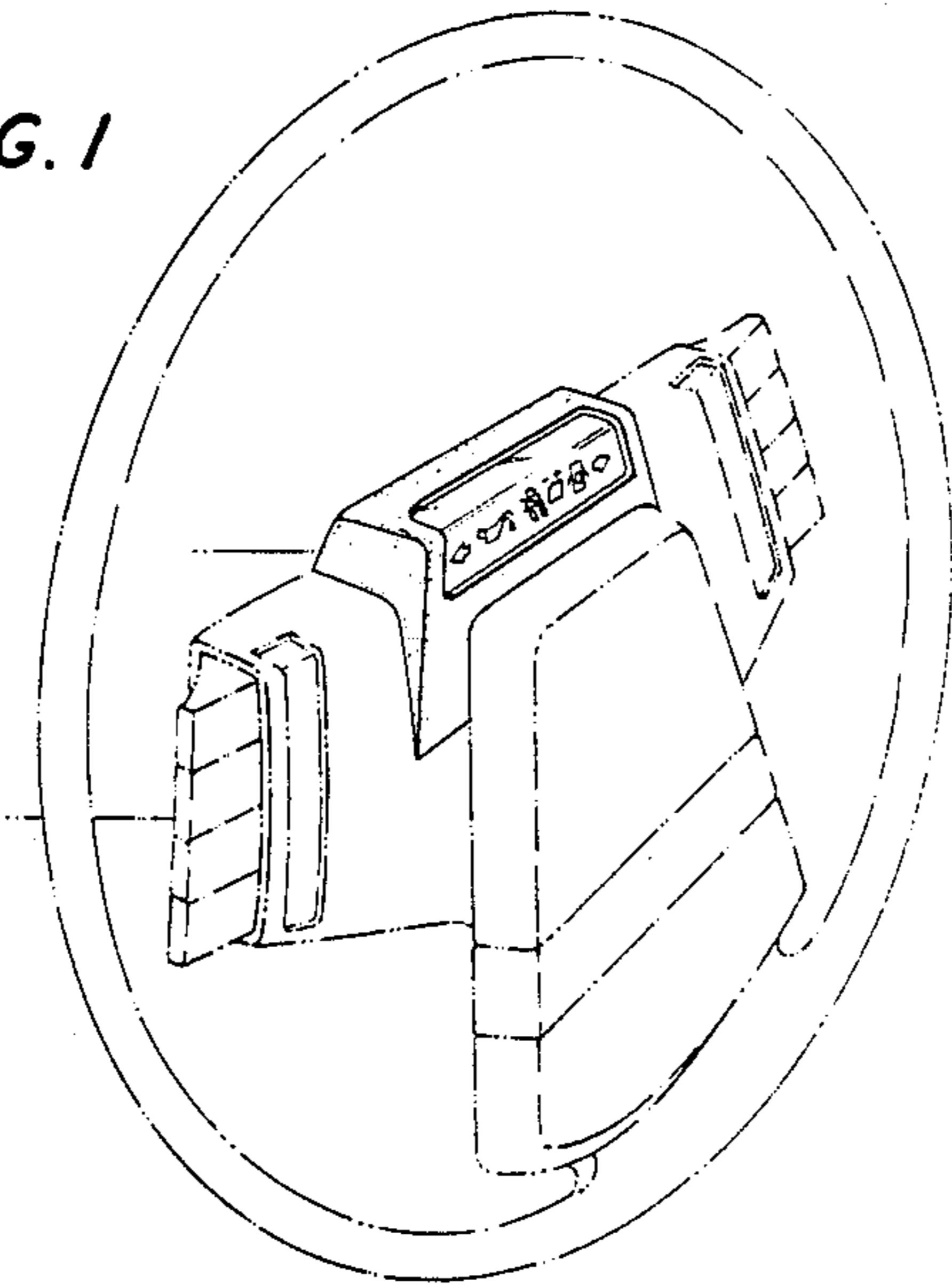


FIG. 2

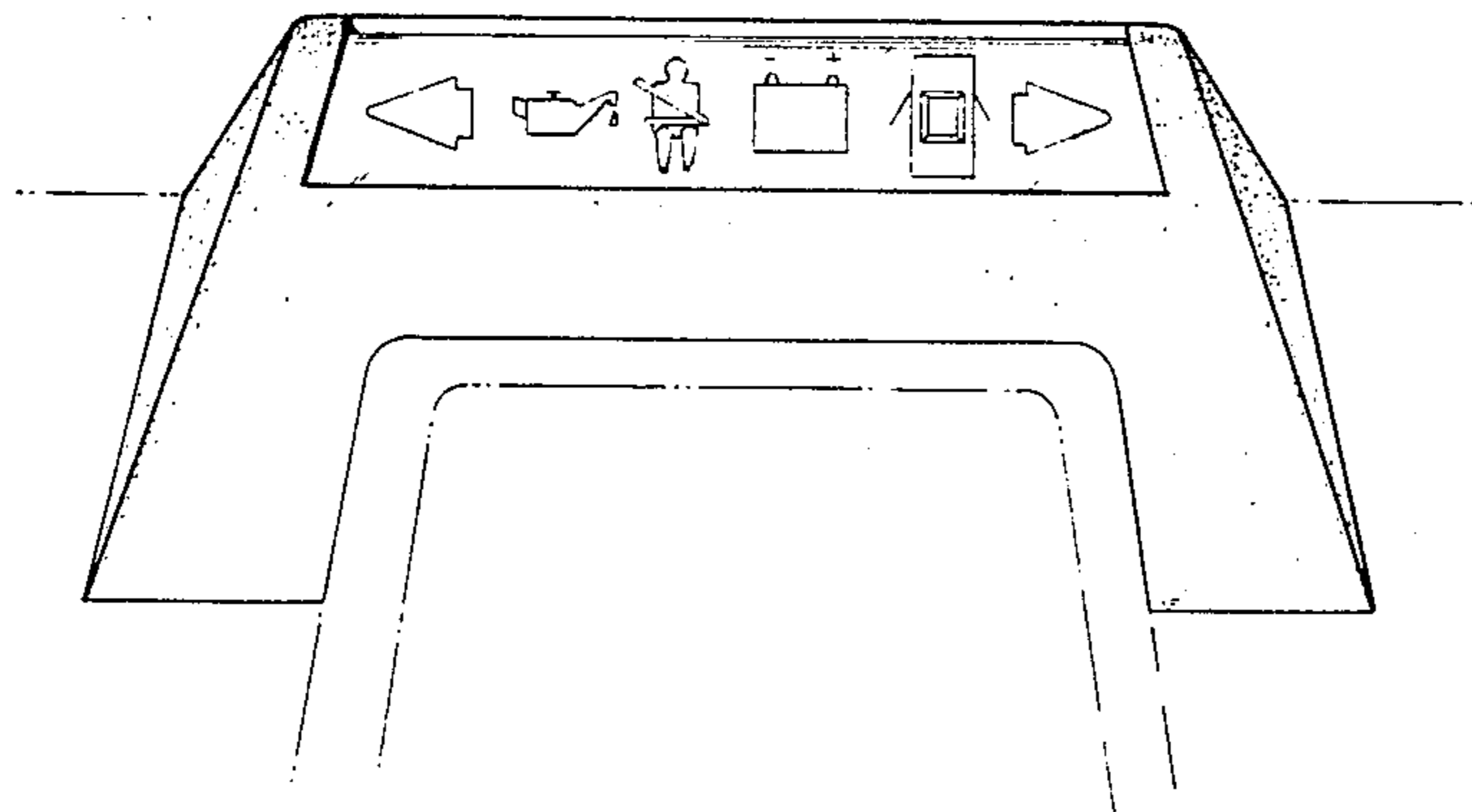
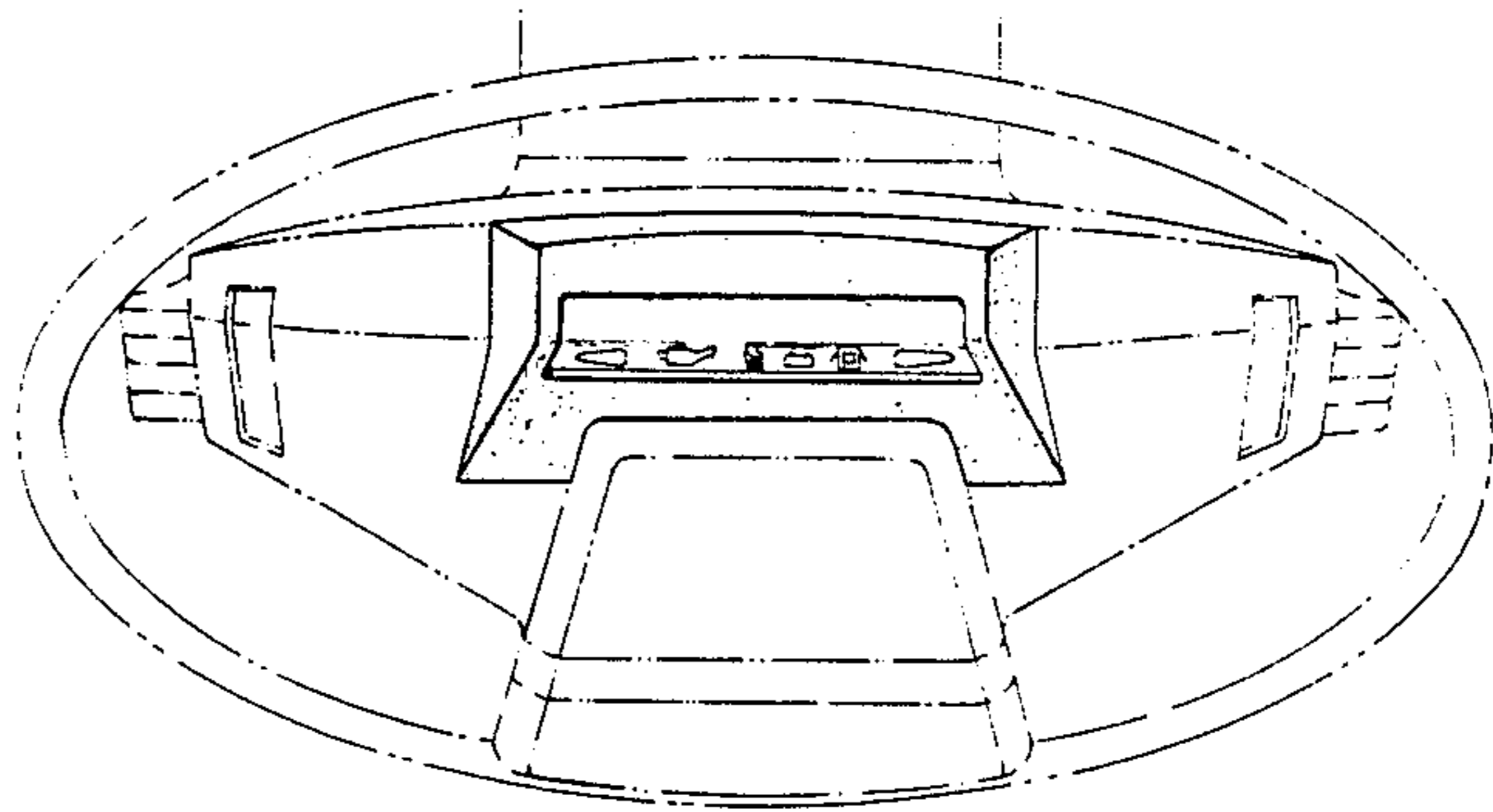


FIG. 3