

[54] TRAILER ROLLER

[75] Inventor: James C. Buchanan, Auburndale, Fla.

[73] Assignee: Moeller Manufacturing Company, Greenville, Miss.

[**] Term: 14 Years

[21] Appl. No.: 741,130

[22] Filed: Jun. 4, 1985

[52] U.S. Cl. D12/106; D12/150; D12/135; D34/29

[58] Field of Search D34/29, 35; D12/135, D12/150, 106; 414/529, 534; 193/37

[56] References Cited

U.S. PATENT DOCUMENTS

D. 221,424	8/1971	Golden	D12/135
D. 239,457	4/1976	Chesler	D12/135
D. 249,679	9/1978	Rotheiser	D12/135
4,210,235	7/1980	Johnson	193/37

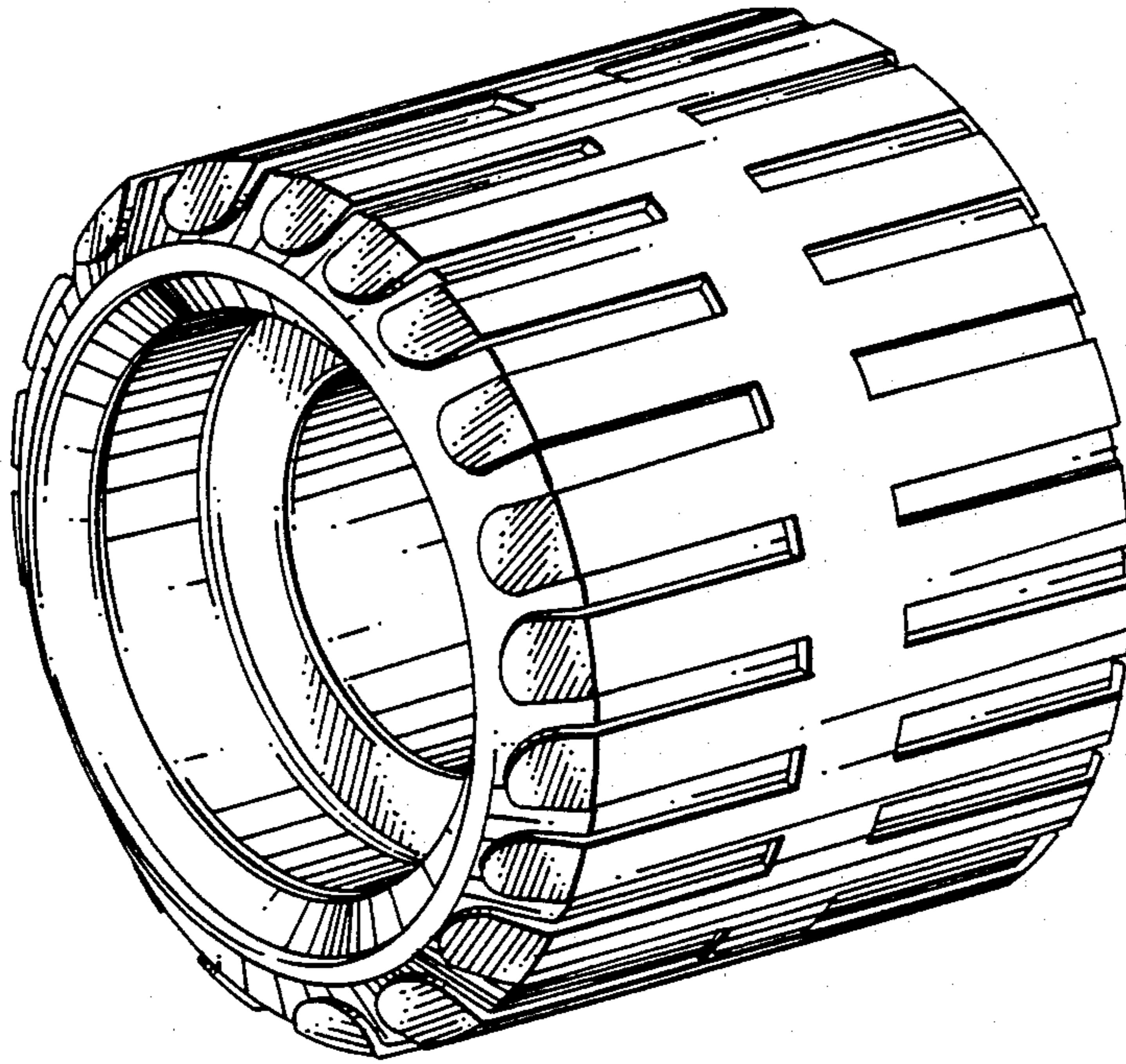
Primary Examiner—James M. Gandy
Attorney, Agent, or Firm—Duckworth, Allen, Dyer & Doppelt

[57] CLAIM

The ornamental design for a trailer roller, as shown and described.

DESCRIPTION

FIG. 1 is a perspective view of a trailer roller incorporating my design;
FIG. 2 is a side elevation view thereof, the opposite side being a mirror image of that shown; and,
FIG. 3 is a front elevation view thereof, the rear view being a mirror image of that shown.



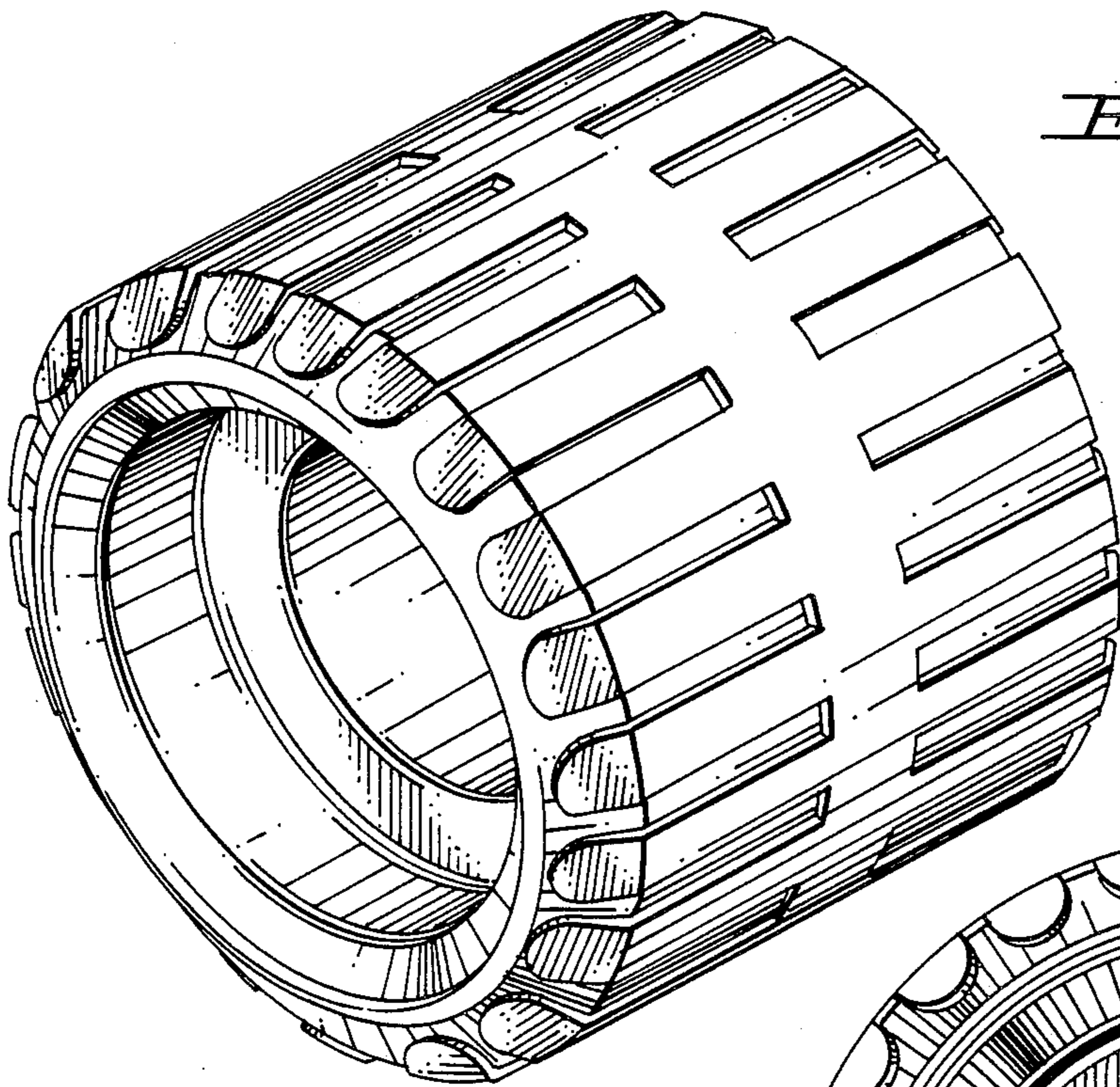


FIG. 1

FIG. 2

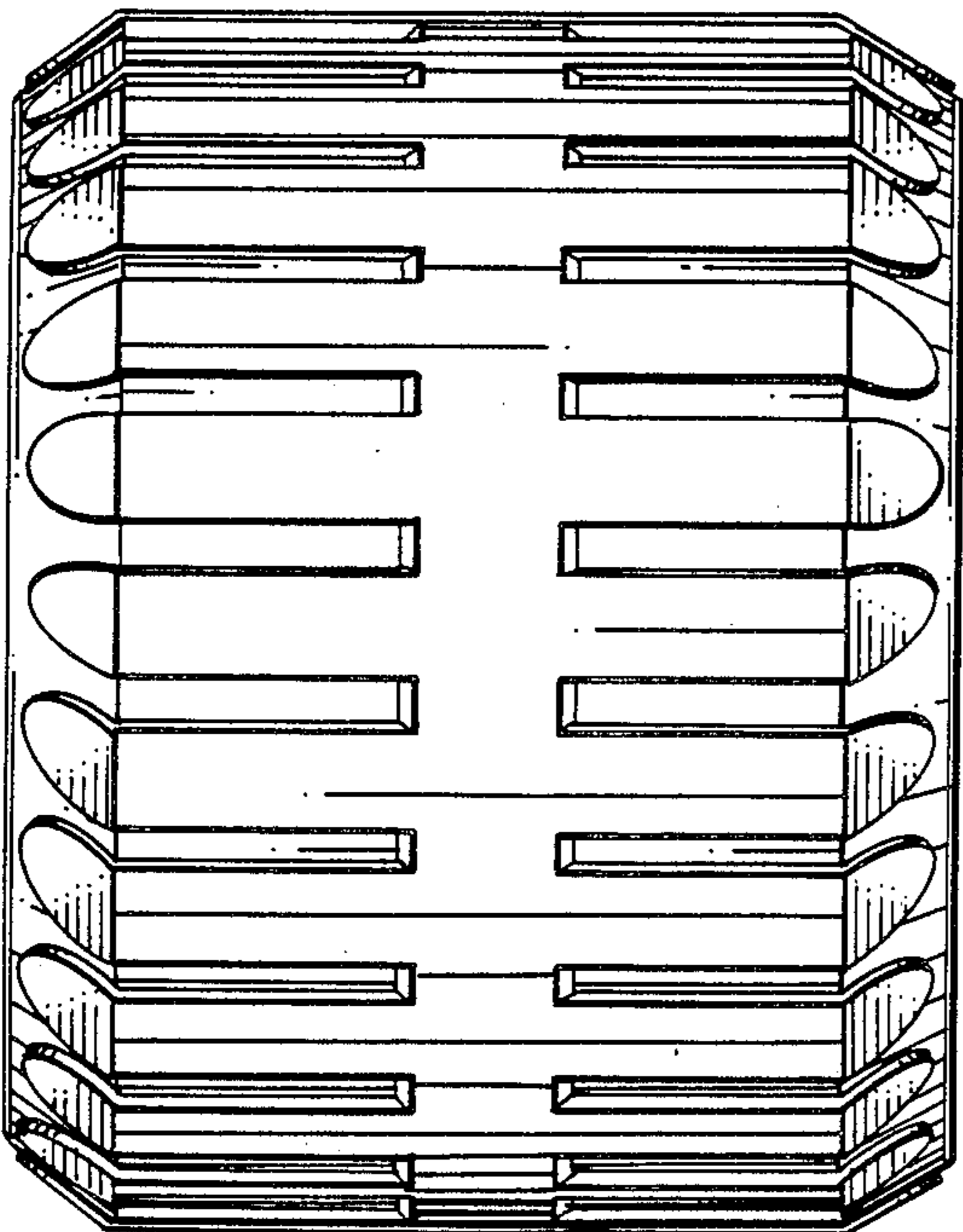
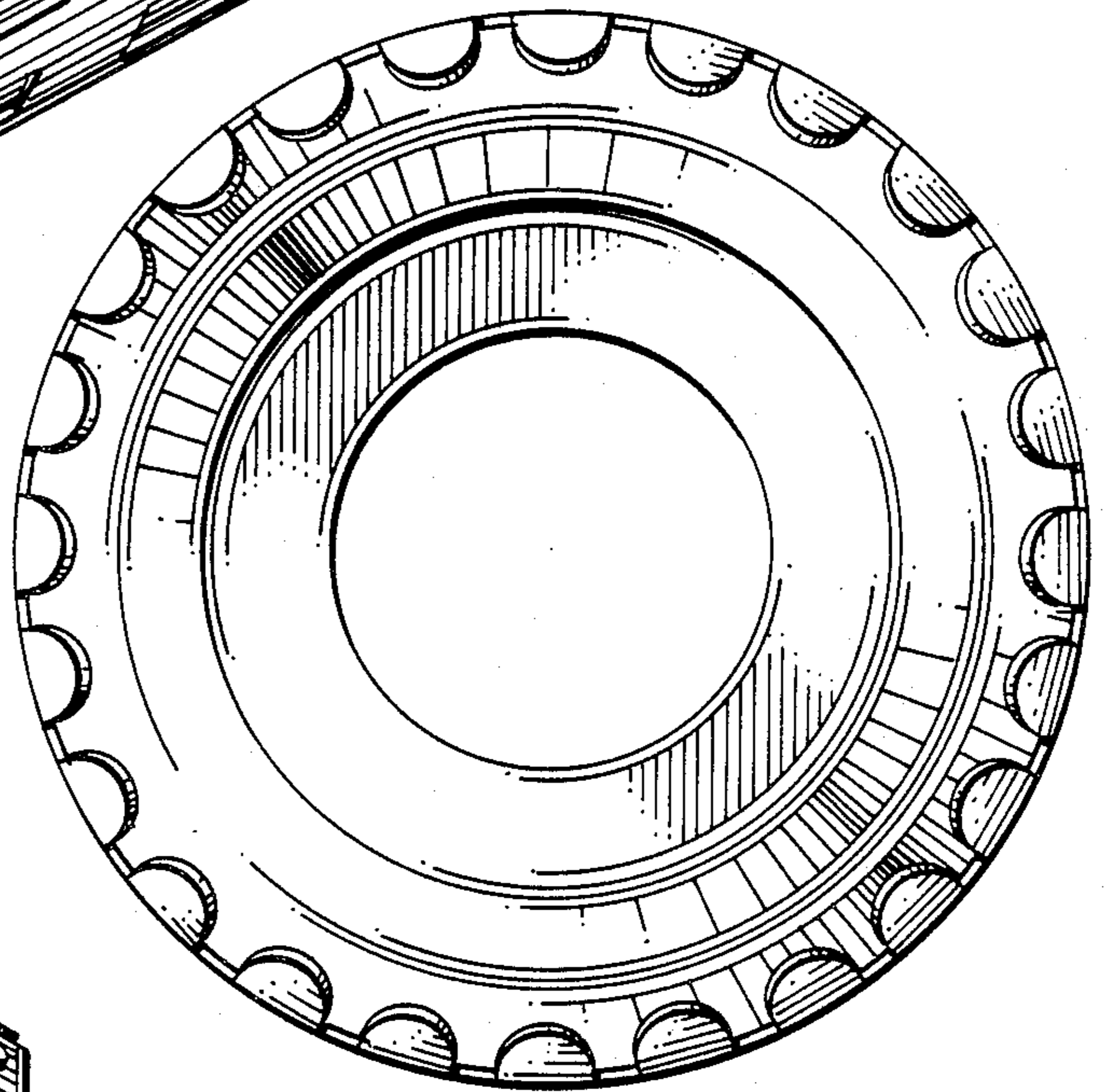


FIG. 3