

[54] FOOT-OPERATED CABINET DOOR OPENER

[75] Inventor: Ralph H. Marx, Phoenix, Ariz.

[73] Assignee: Richard W. Marx, Pomona, Calif.

[**] Term: 14 Years

[21] Appl. No.: 787,730

[22] Filed: Oct. 15, 1985

[52] U.S. Cl. D8/400

[58] Field of Search D8/400; 292/255

[56] References Cited

U.S. PATENT DOCUMENTS

- 2,053,084 9/1936 Hooper et al. 292/255
- 3,030,102 4/1962 Smith 292/255

4,068,872 1/1978 Smith 292/255

Primary Examiner—B. J. Bullock
Attorney, Agent, or Firm—Warren F. B. Lindsley

[57] CLAIM

The ornamental design for a foot-operated cabinet door opener, as shown and described.

DESCRIPTION

FIG. 1 is a perspective view taken from the top, front, right side of a foot-operated cabinet door opener, showing my new design;

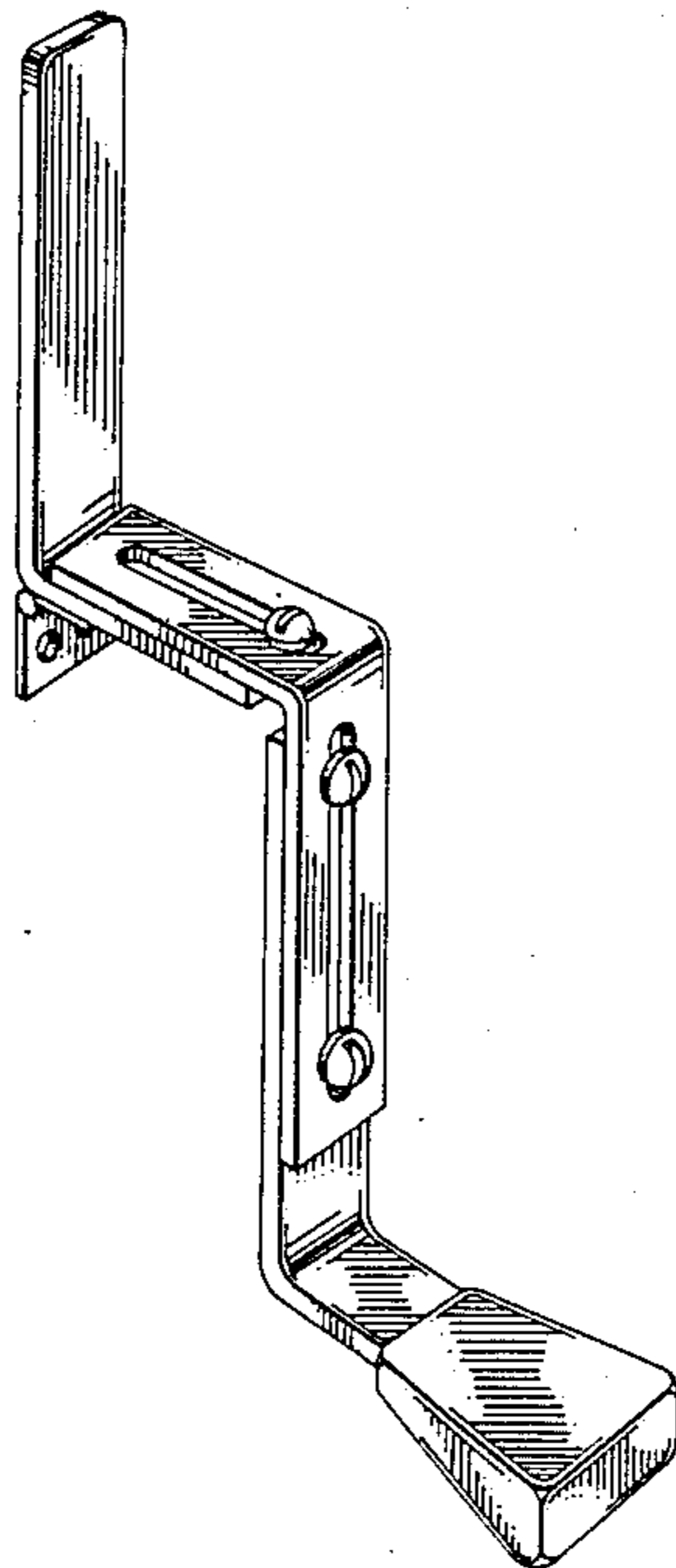
FIG. 2 is a top view thereof;

FIG. 3 is a bottom view thereof;

FIG. 4 is a front view thereof;

FIG. 5 is a back view thereof; and

FIG. 6 is a right side view thereof.



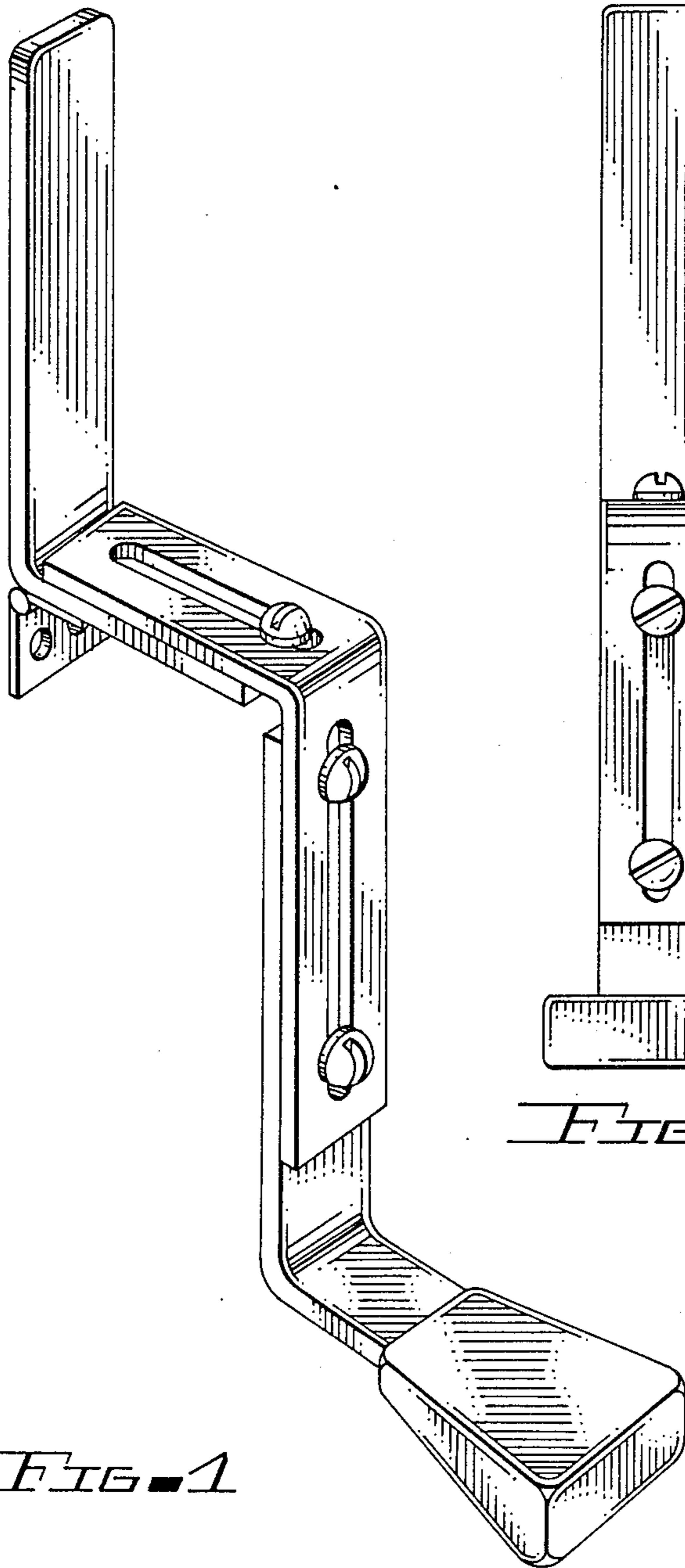


FIG. 1

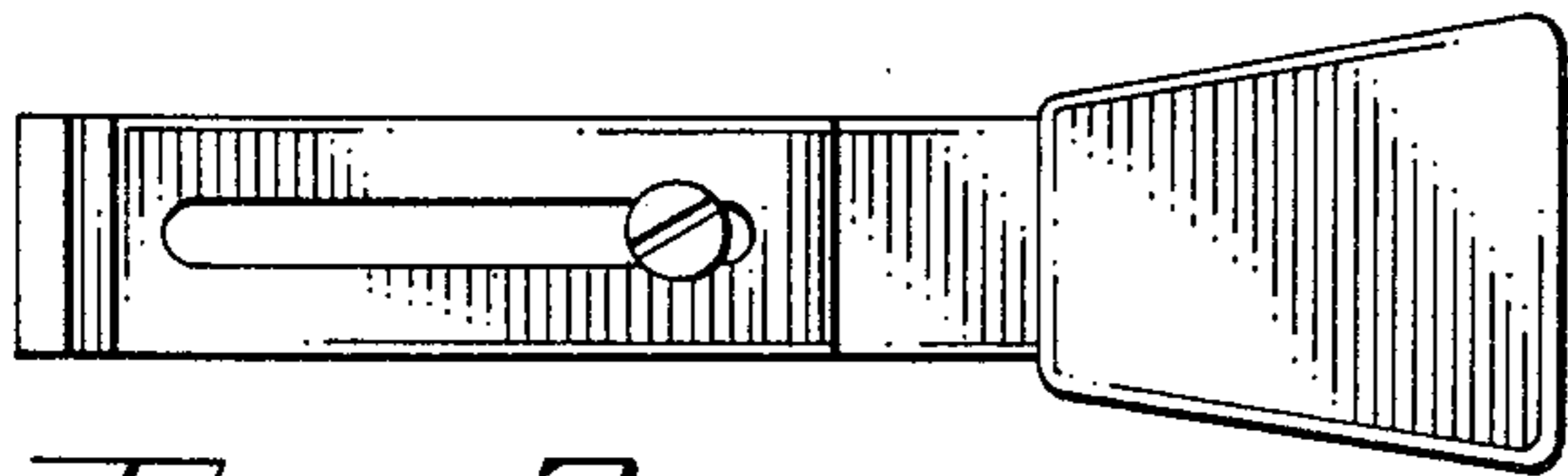


FIG. 2

FIG. 3

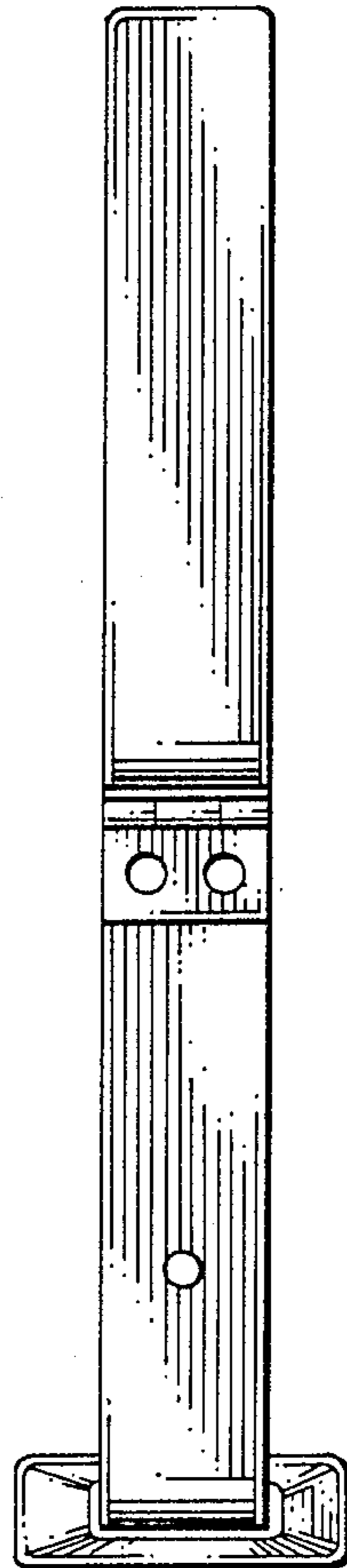
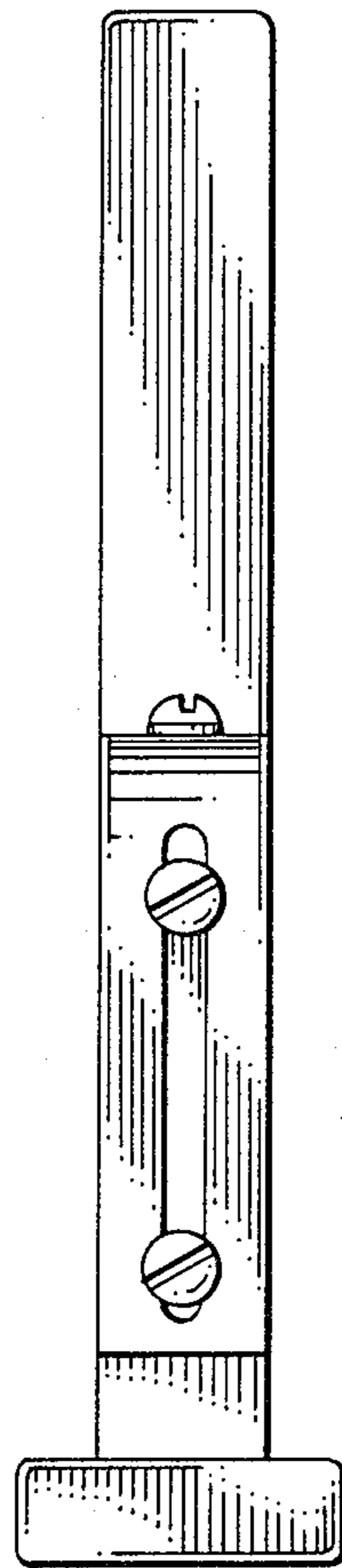
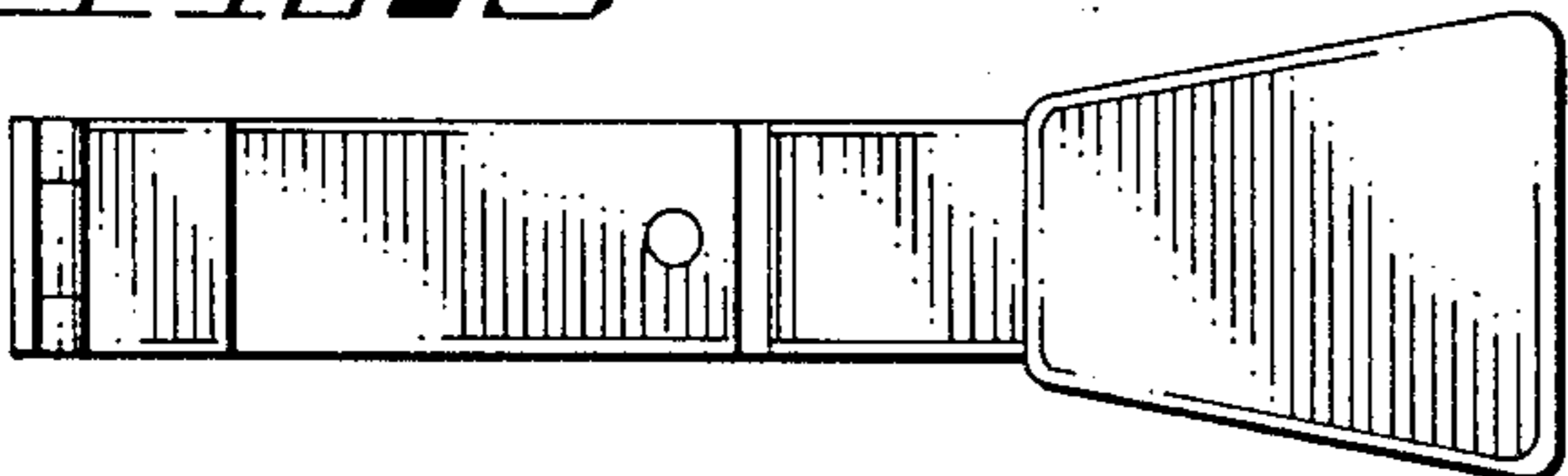


FIG. 4 FIG. 5

FIG. 6

