

[54] DOVETAIL MOUNTING PLATE OR SIMILAR ARTICLE

[75] Inventor: Nicholas Mischenko, Mt. Prospect, Ill.

[73] Assignee: Motorola, Inc., Schaumburg, Ill.

[**] Term: 14 Years

[21] Appl. No.: 24,103

[22] Filed: Mar. 9, 1987

| | | | |
|-----------|---------|-----------------------|-----------|
| 850,889 | 4/1907 | Kelly | 403/381 |
| 1,067,910 | 7/1913 | Florey | 403/381 |
| 1,468,786 | 9/1923 | Knechtel | 403/381 |
| 3,082,555 | 3/1963 | Hill | 403/381 |
| 3,353,567 | 11/1967 | Isreeli | D8/395 X |
| 3,961,227 | 1/1976 | De Luca et al. | 379/438 |
| 4,019,298 | 4/1977 | Johnson | 403/381 |
| 4,049,126 | 9/1977 | Holverson | 248/303 |
| 4,564,732 | 1/1986 | Lancaster et al. | 403/381 X |
| 4,681,476 | 7/1987 | Miscenko | 403/42 |

Primary Examiner—Horace B. Fay
Attorney, Agent, or Firm—Rolland R. Hackbart

Related U.S. Application Data

[62] Division of Ser. No. 858,427, May 1, 1986, Pat. No. 4,681,476.

[52] U.S. Cl. D8/380; 403/381

[58] Field of Search D8/380, 356; 403/381, 403/331, 42; 379/438

References Cited

U.S. PATENT DOCUMENTS

| | | | |
|------------|--------|--------------|---------|
| D. 285,286 | 8/1986 | Sharpe | D8/356 |
| 113,825 | 4/1871 | Barton | 403/381 |

[57] CLAIM

The ornamental design for a dovetail mounting plate or similar article, substantially as shown and described.

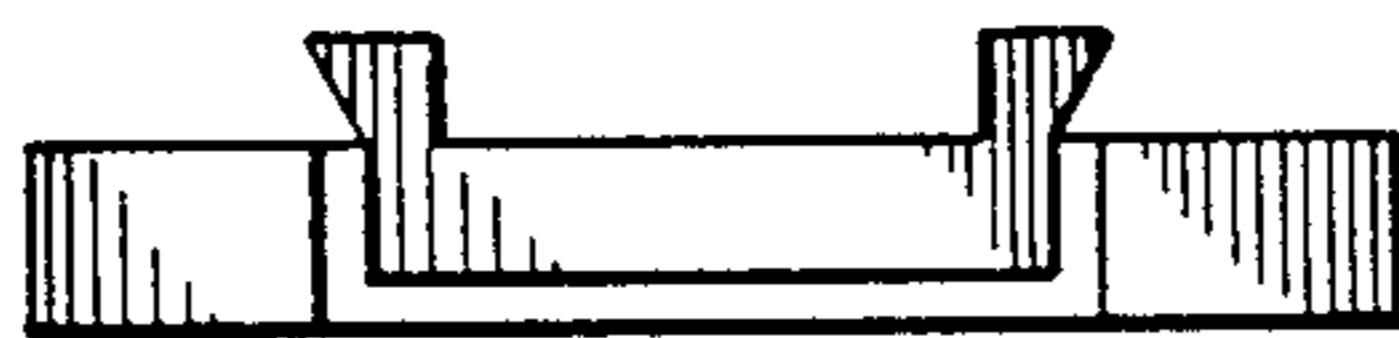
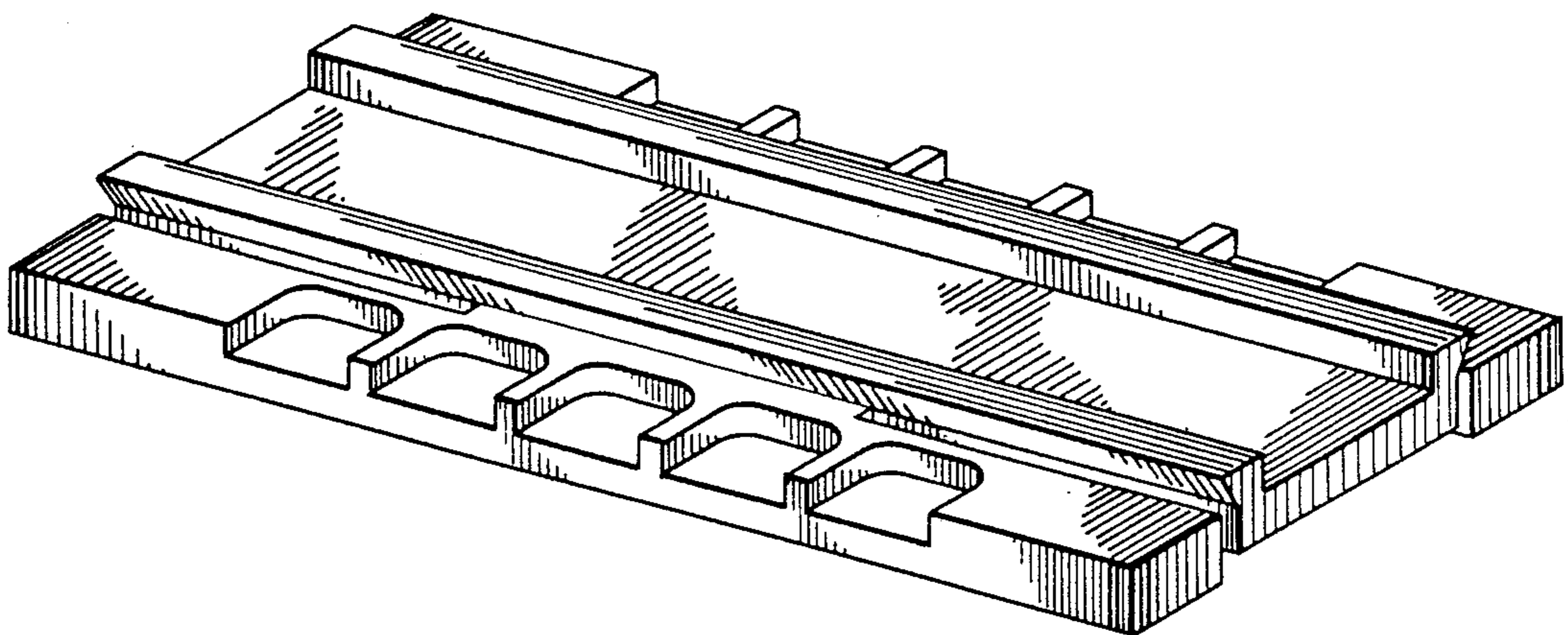
DESCRIPTION

FIG. 1 is a front, top and left side perspective view of a dovetail mounting plate or similar article showing my new design;

FIG. 2 is a right side elevational view thereof;

FIG. 3 is a rear elevational view thereof; and

FIG. 4 is a bottom plan view thereof.



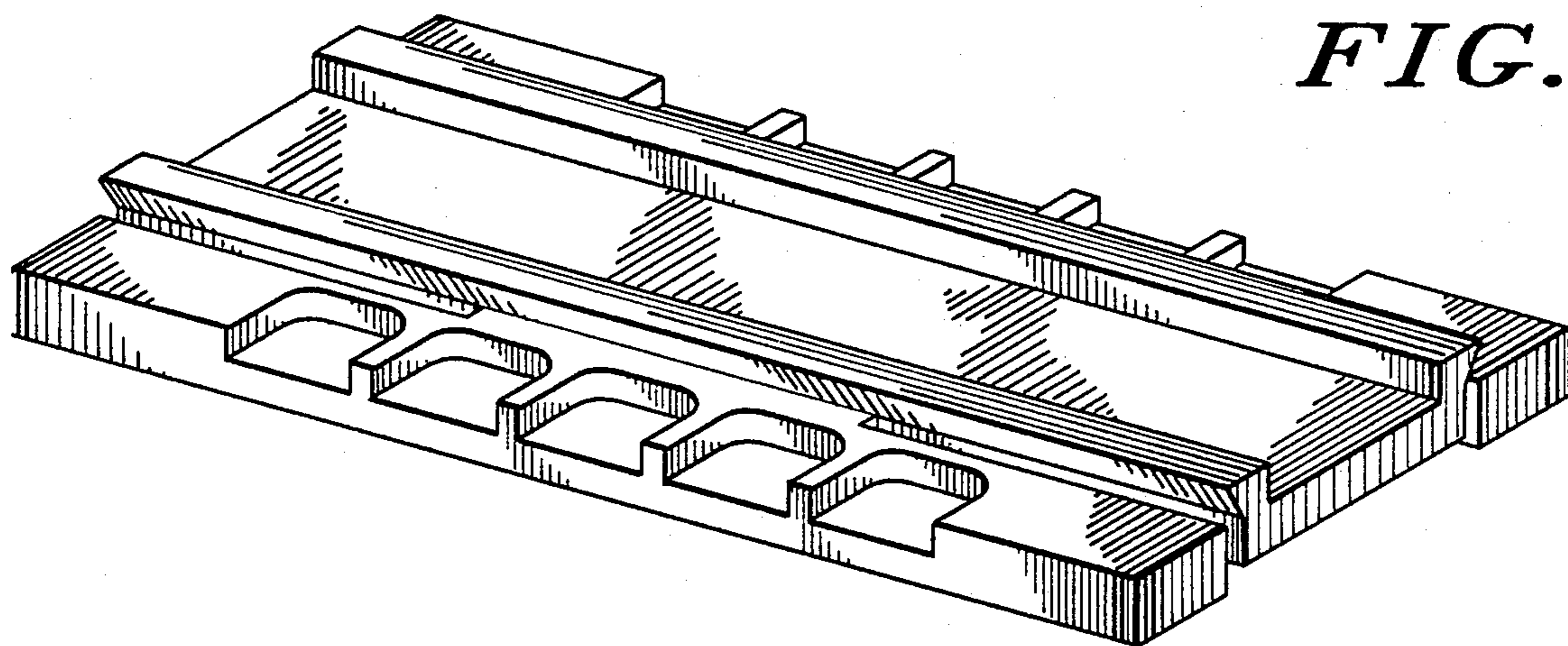


FIG. 1

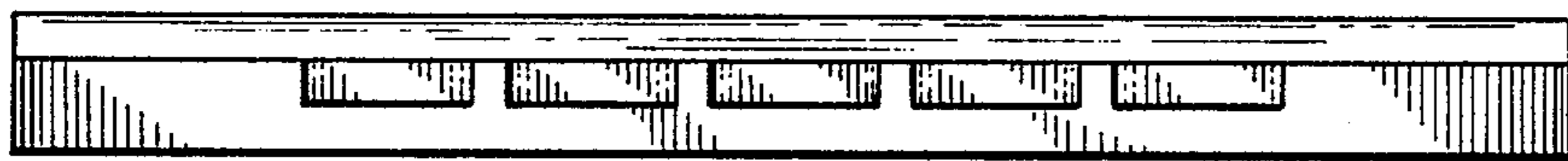


FIG. 2

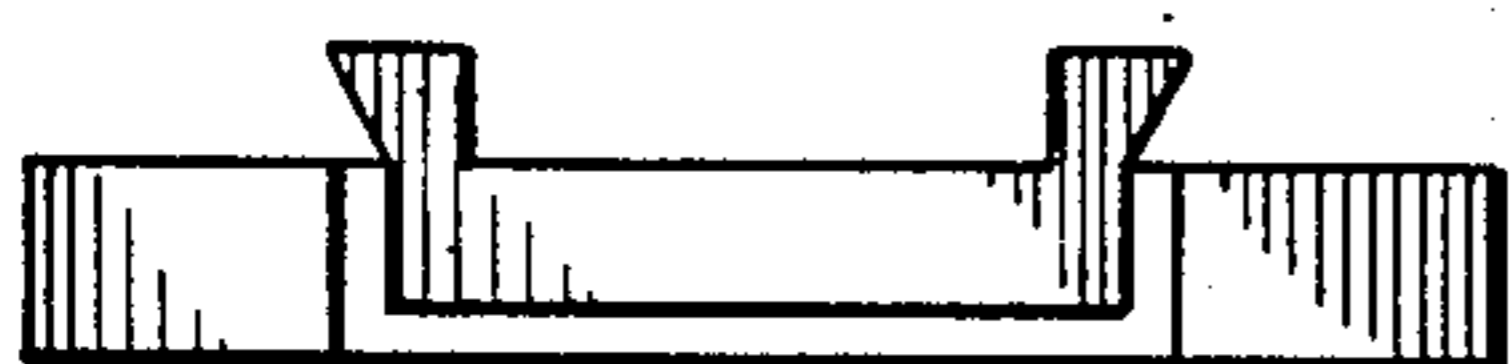


FIG. 3

FIG. 4

