

[54] STAPLER (I)

[76] Inventor: William H. N. Chi, No. 32, Kuang Cheng Rd., Ta Li Hsiang, Taichung Hsien, Taiwan

[*] Notice: The portion of the term of this patent subsequent to Jun. 7, 2002 has been disclaimed.

[**] Term: 14 Years

[21] Appl. No.: 726,524

[22] Filed: Apr. 24, 1985

[52] U.S. Cl. D8/49

[58] Field of Search D8/49, 50; 227/120, 227/128

[56] References Cited

U.S. PATENT DOCUMENTS

D. 232,804 9/1974 Power D8/50
D. 244,253 5/1977 Power et al. D8/50
3,630,428 12/1971 Olney et al. 227/128

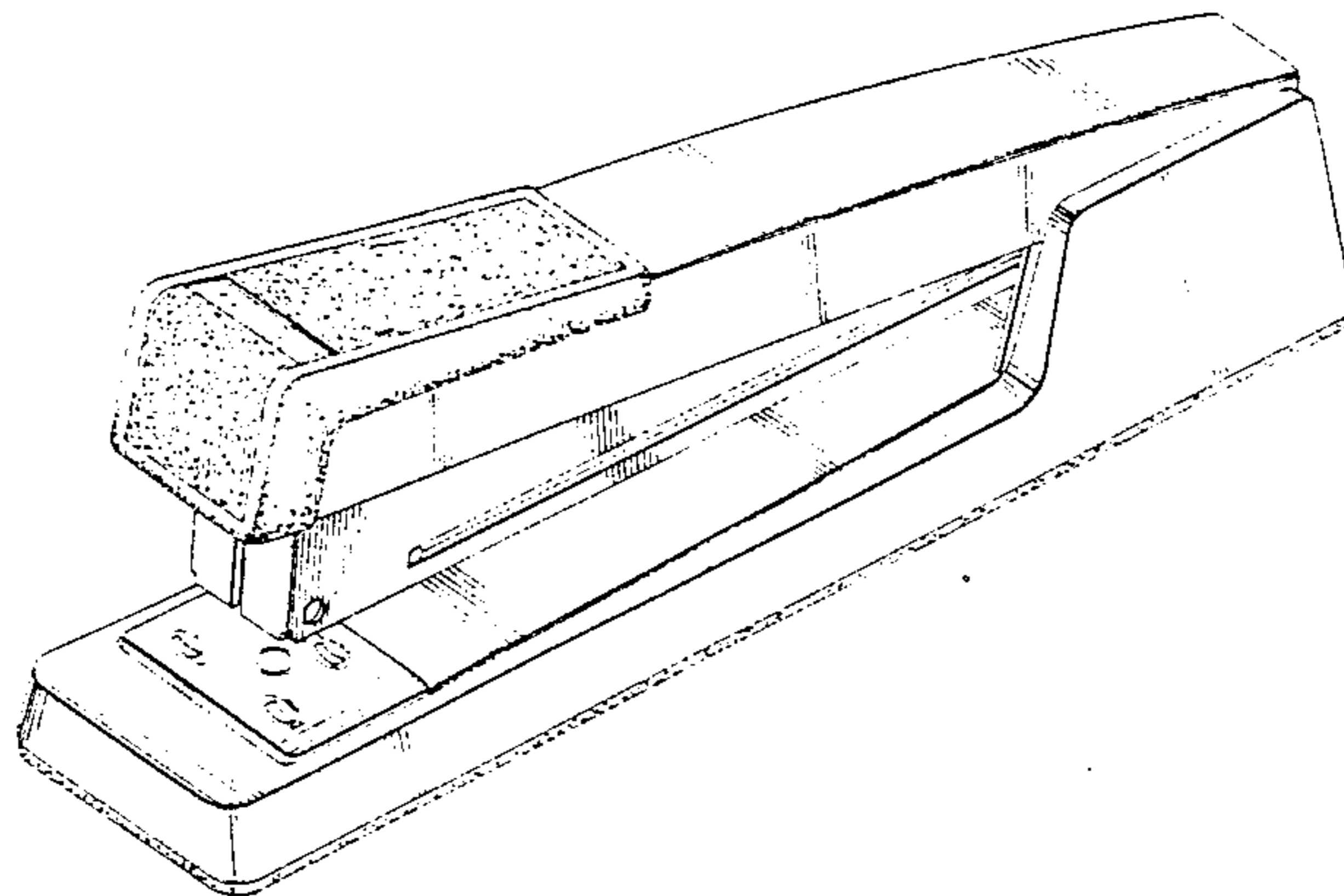
Primary Examiner—Bernard Ansher
Assistant Examiner—Terry Pfeffer
Attorney, Agent, or Firm—Klauber & Jackson

[57] CLAIM

The ornamental design for a stapler (I), as shown and described.

DESCRIPTION

FIG. 1 is a perspective view of a stapler (I) showing my new design;
FIG. 2 is a right side elevational view thereof;
FIG. 3 is a left side elevational view thereof;
FIG. 4 is a front elevational view thereof;
FIG. 5 is a rear elevational view thereof;
FIG. 6 is a top plan view thereof; and
FIG. 7 is a bottom plan view thereof.



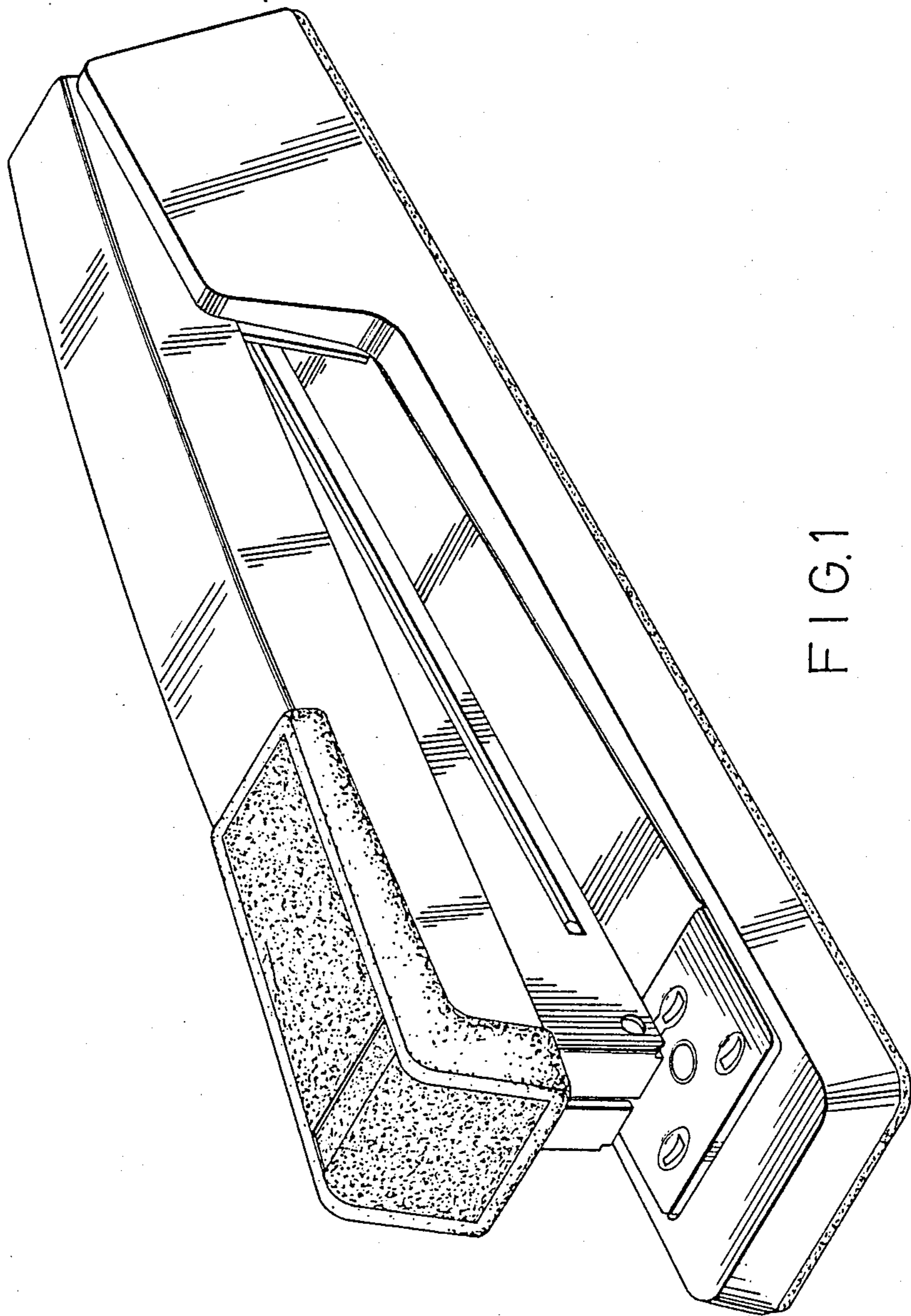


FIG. 1

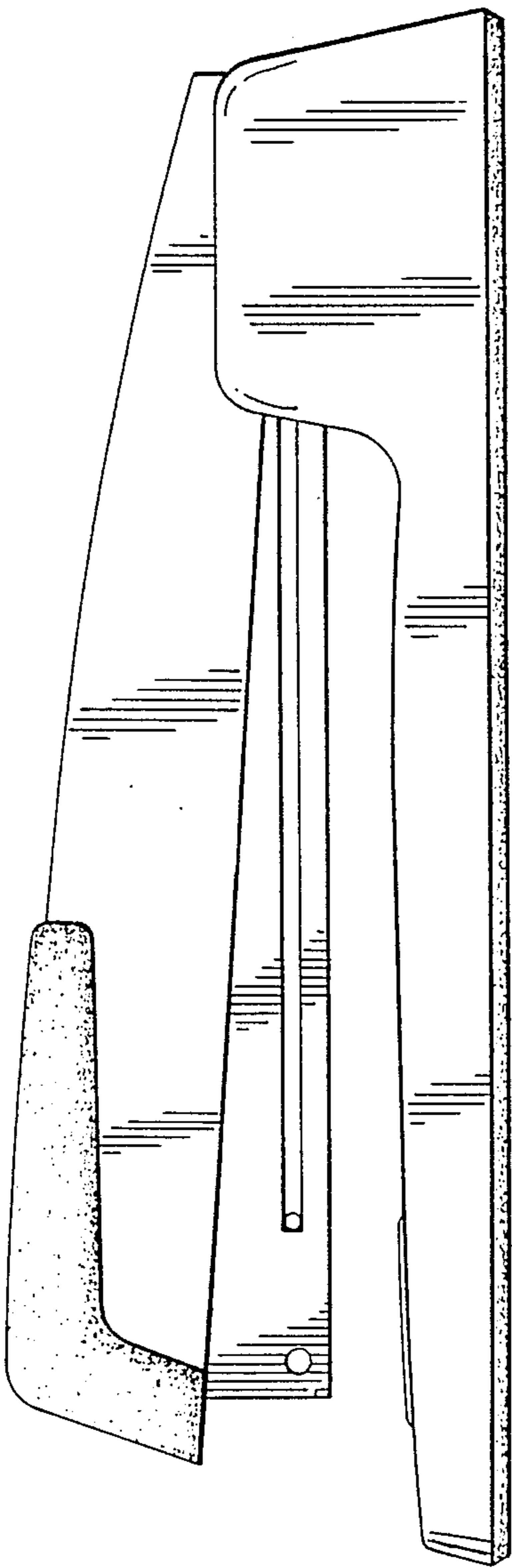


FIG. 2

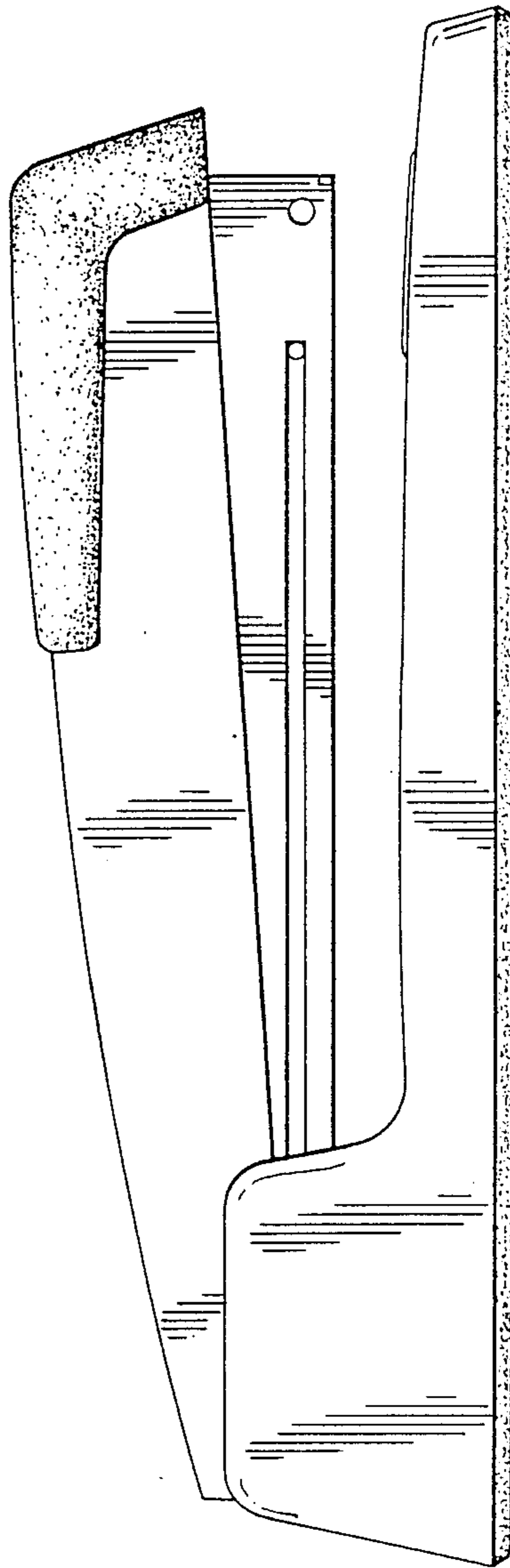


FIG. 3

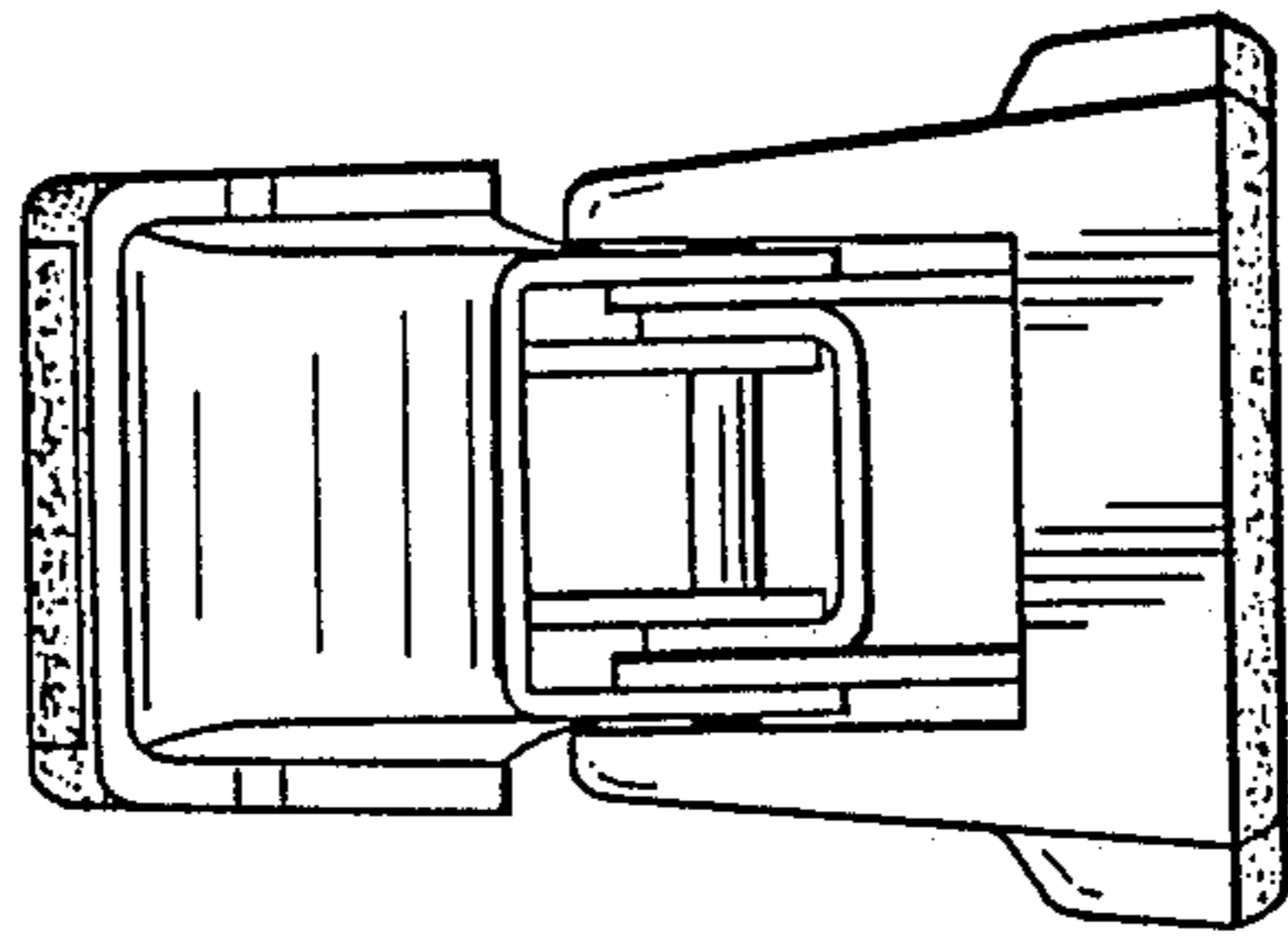


FIG. 5

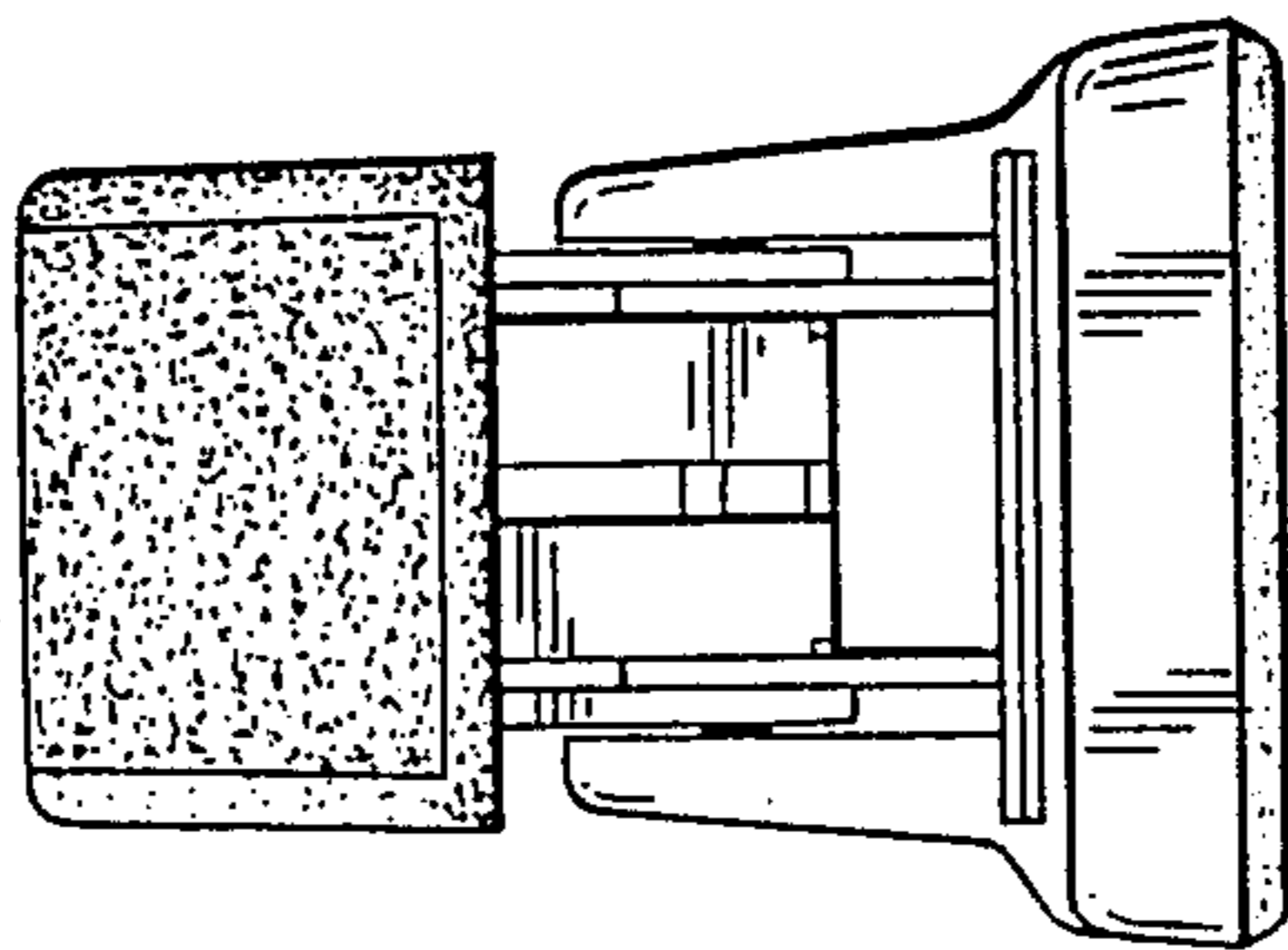


FIG. 4

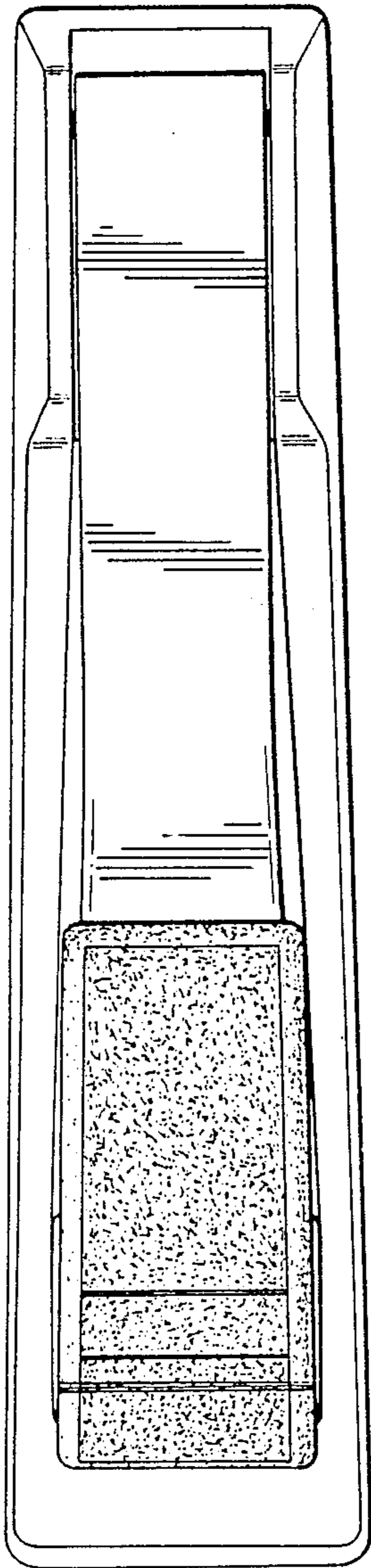


FIG. 6

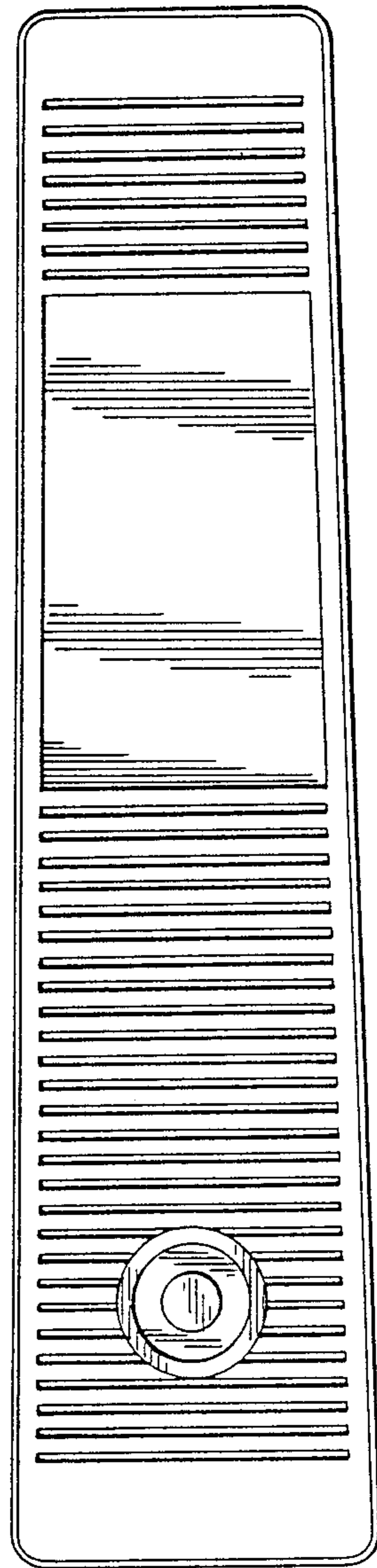


FIG. 7