

**United States Patent** [19]  
**Jack**

[11] **Patent Number: Des. 296,180**

[45] **Date of Patent: \*\* Jun. 14, 1988**

[54] **COFFEEMAKER**

[75] **Inventor: Alister Jack, Grijpskerk, Netherlands**

[73] **Assignee: U.S. Philips Corporation, New York, N.Y.**

[\*\*] **Term: 14 Years**

[21] **Appl. No.: 774,200**

[22] **Filed: Sep. 9, 1985**

[52] **U.S. Cl. .... D7/309**

[58] **Field of Search ..... D7/300, 309, 310, 312, D7/305, 311**

[56] **References Cited**

**U.S. PATENT DOCUMENTS**

D. 228,053 8/1973 Knox et al. .... D7/309

D. 246,410 11/1977 Harms et al. .... D7/309  
D. 269,314 6/1983 Sato ..... D7/309  
D. 277,539 2/1985 Elkerbout ..... D7/309

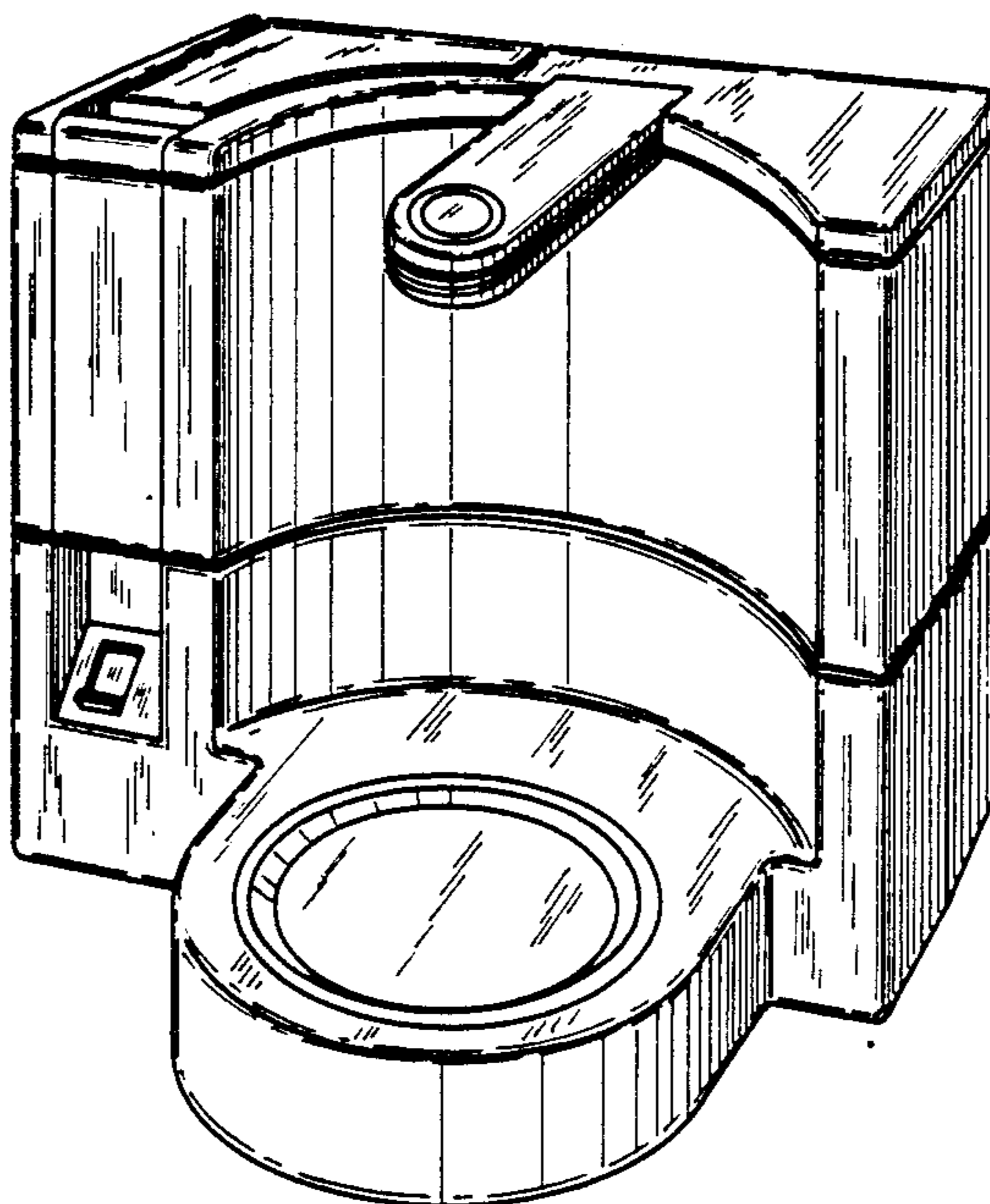
*Primary Examiner—Winifred E. Herrmann  
Attorney, Agent, or Firm—Rolf E. Schneider*

[57] **CLAIM**

The ornamental design for a coffeemaker, as shown.

**DESCRIPTION**

FIG. 1 is a front, top and right side perspective view of a coffeemaker showing my new design;  
FIG. 2 is a front elevational view thereof;  
FIG. 3 is a rear elevational view thereof;  
FIG. 4 is a right side elevational view thereof;  
FIG. 5 is a left side elevational view thereof;  
FIG. 6 is a top plan view thereof;  
FIG. 7 is a bottom plan view thereof.



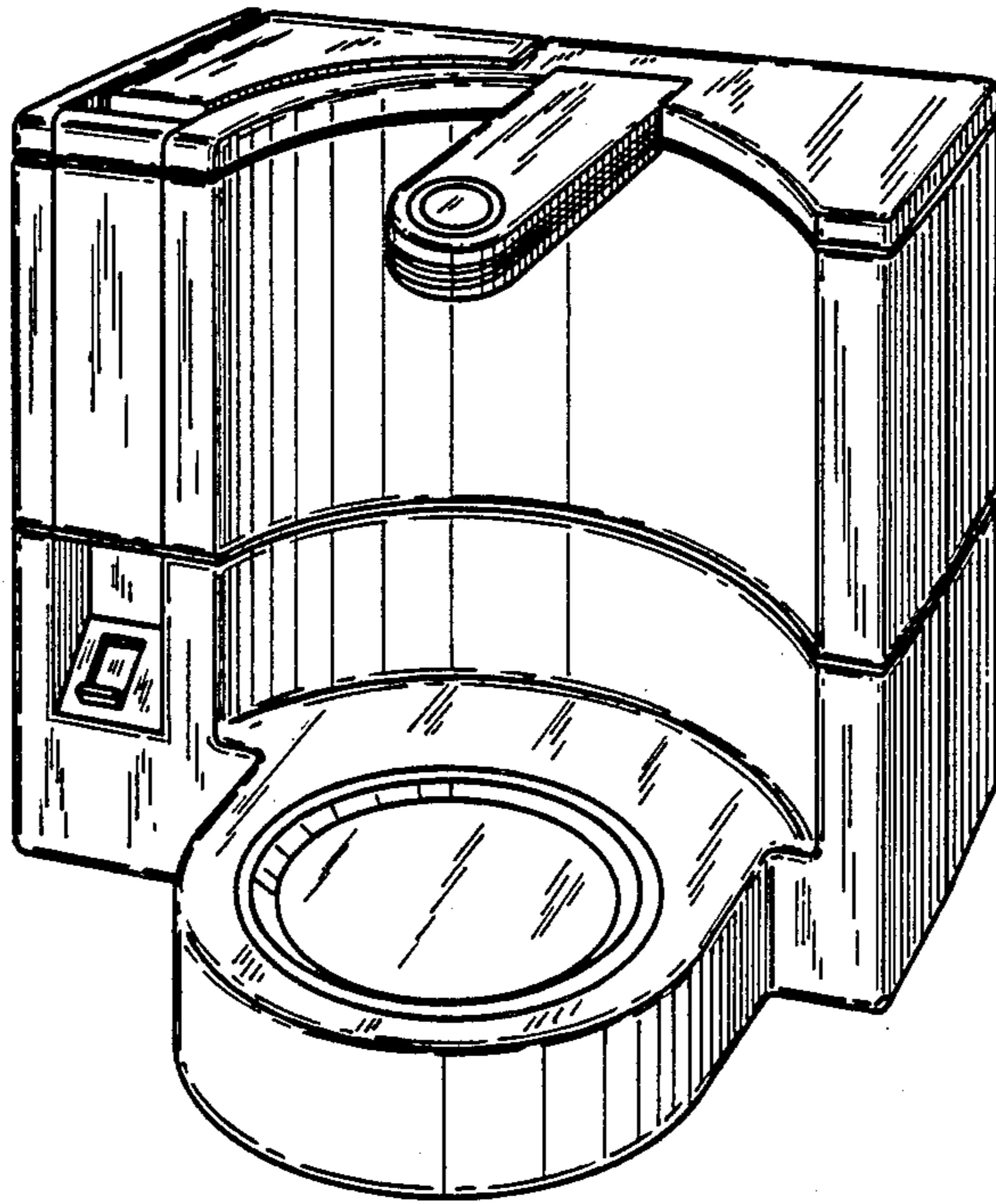


FIG.1

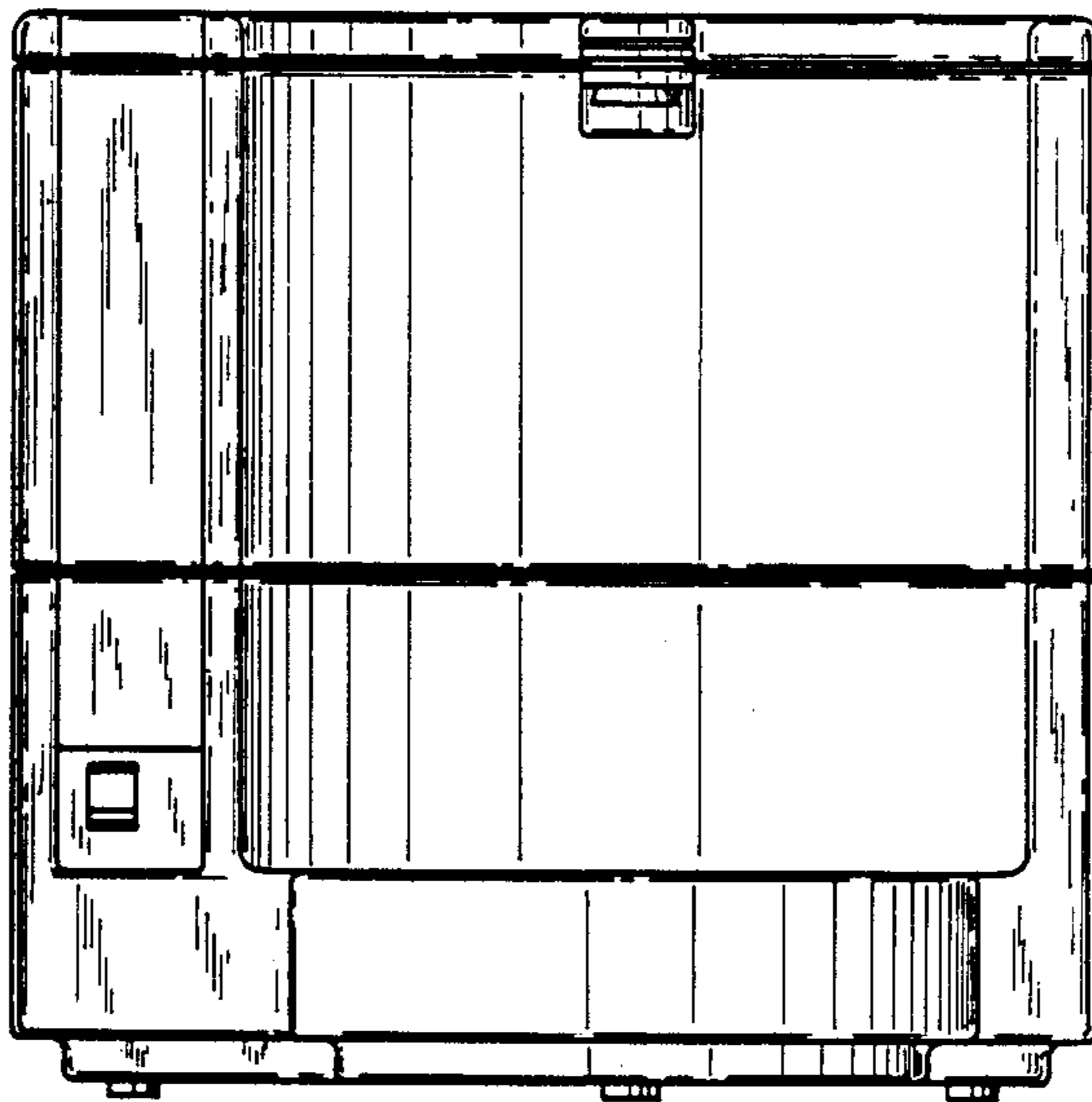


FIG. 2

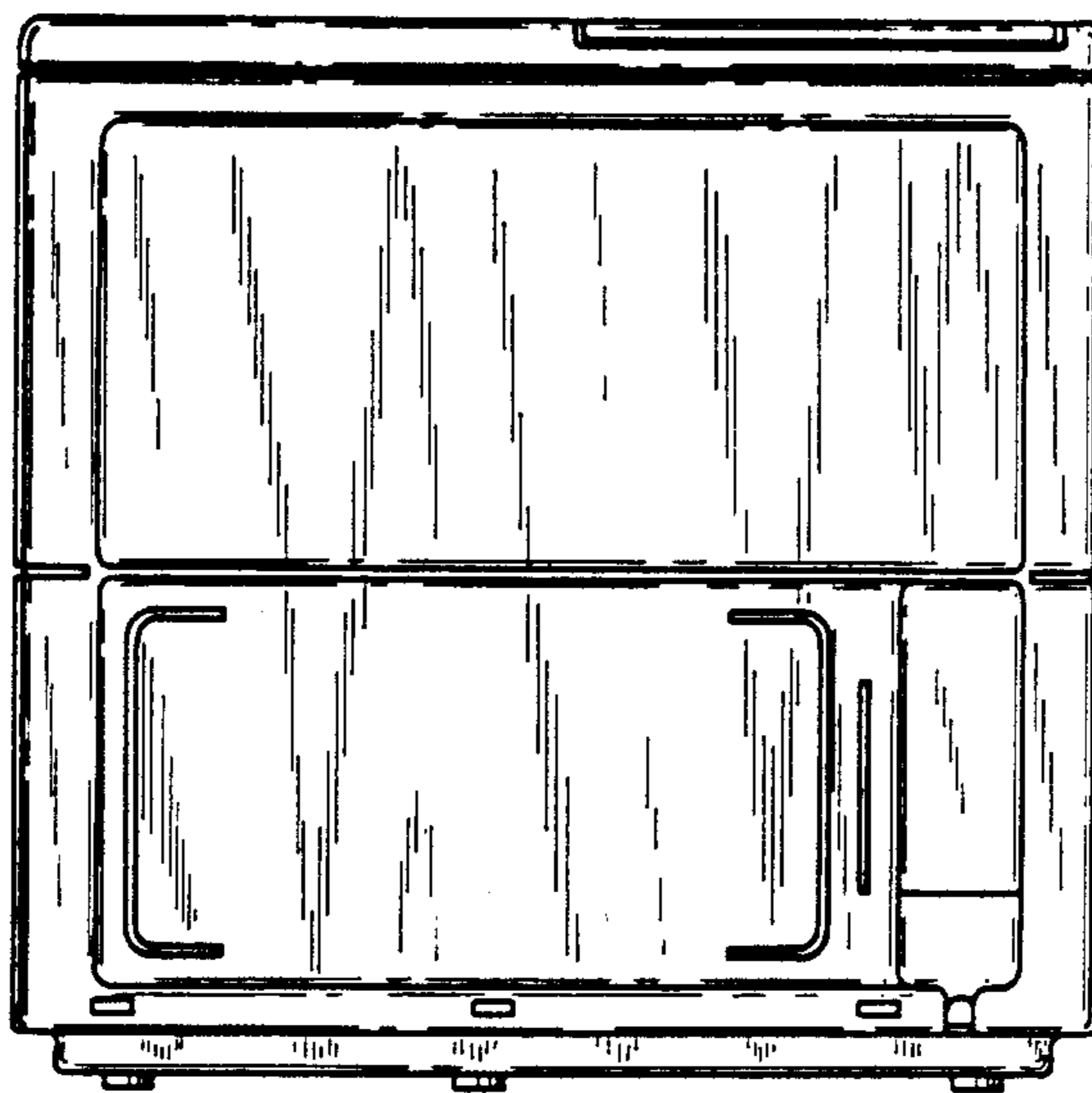


FIG. 3

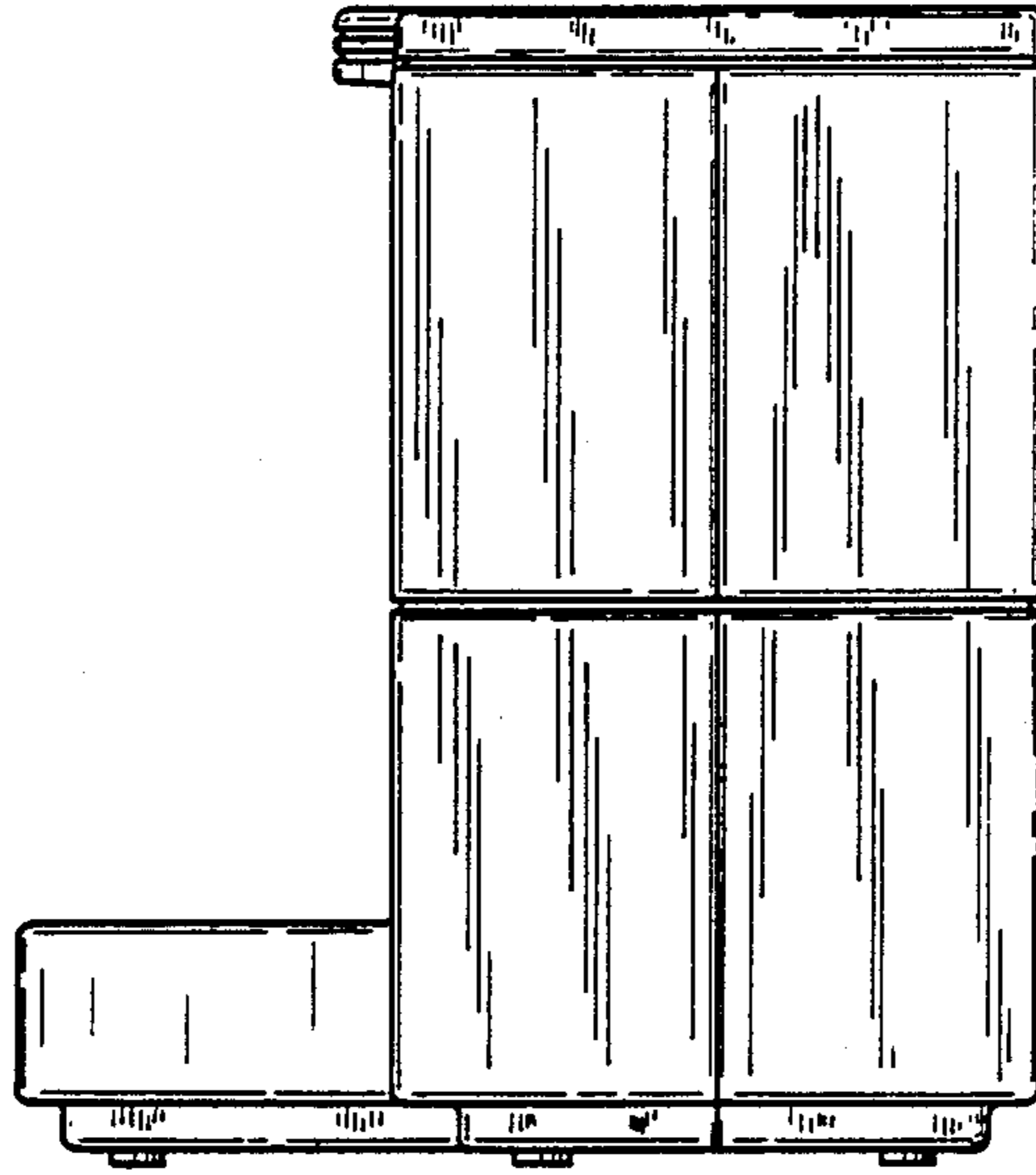


FIG. 4

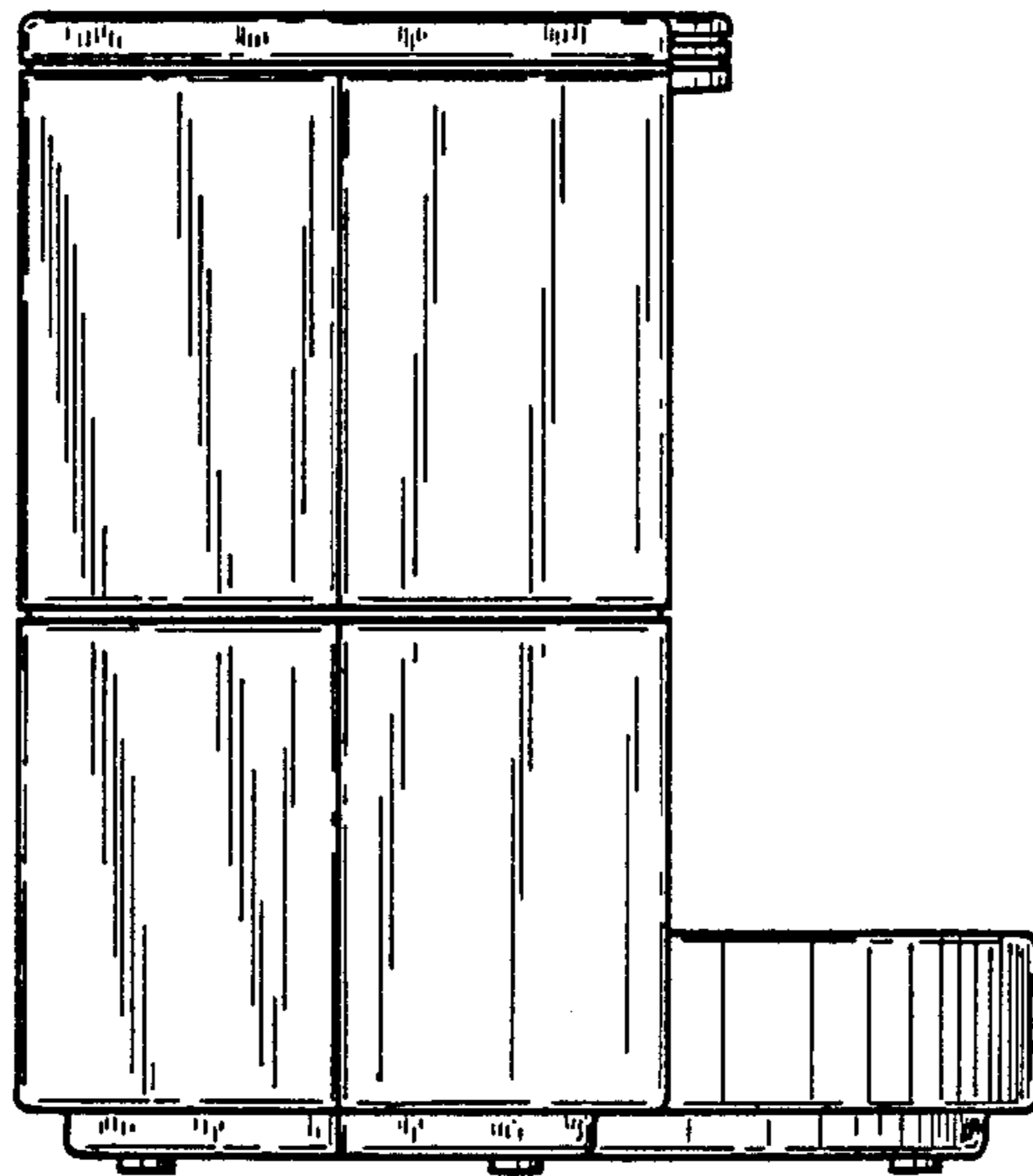


FIG. 5

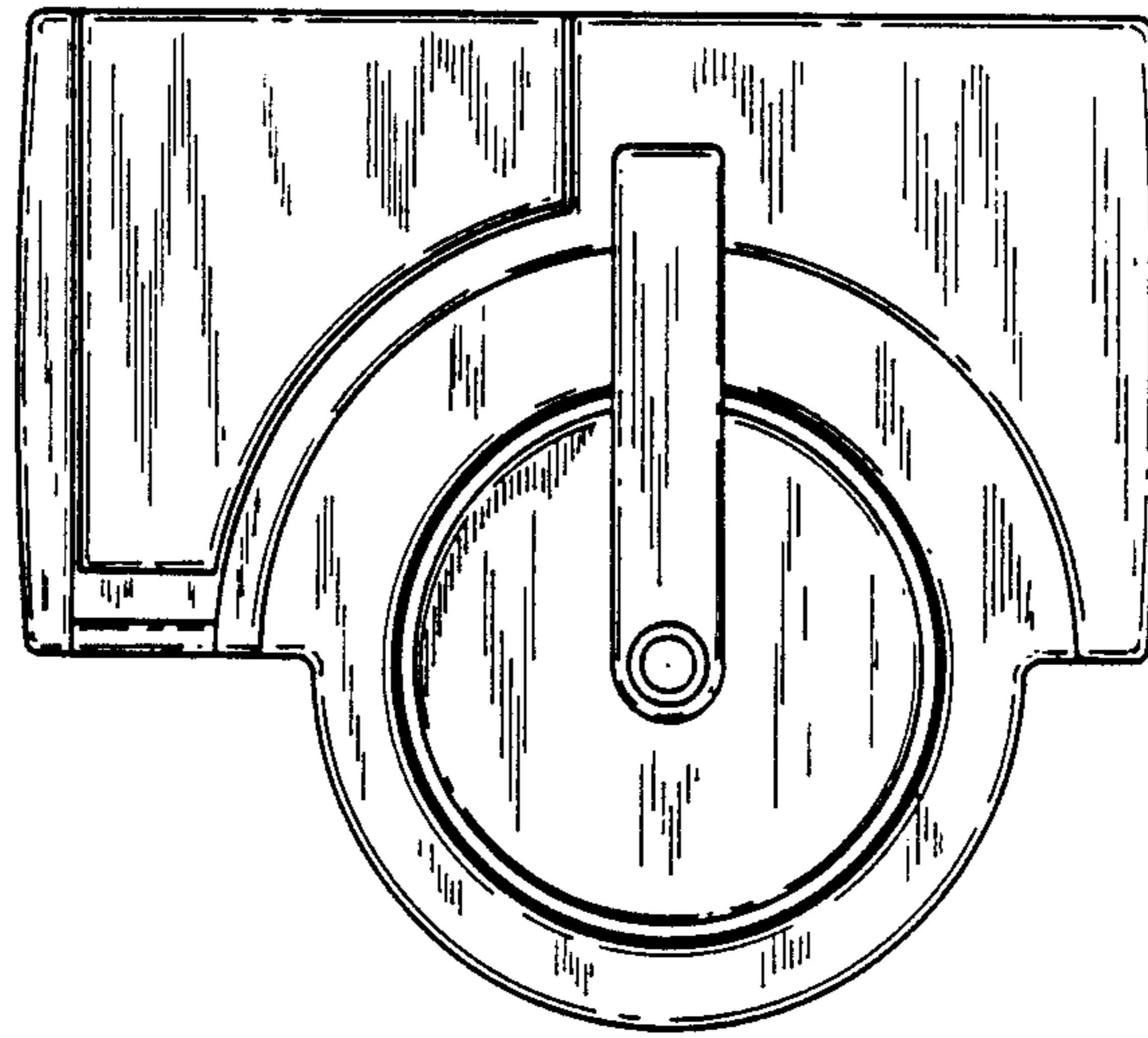


FIG. 6

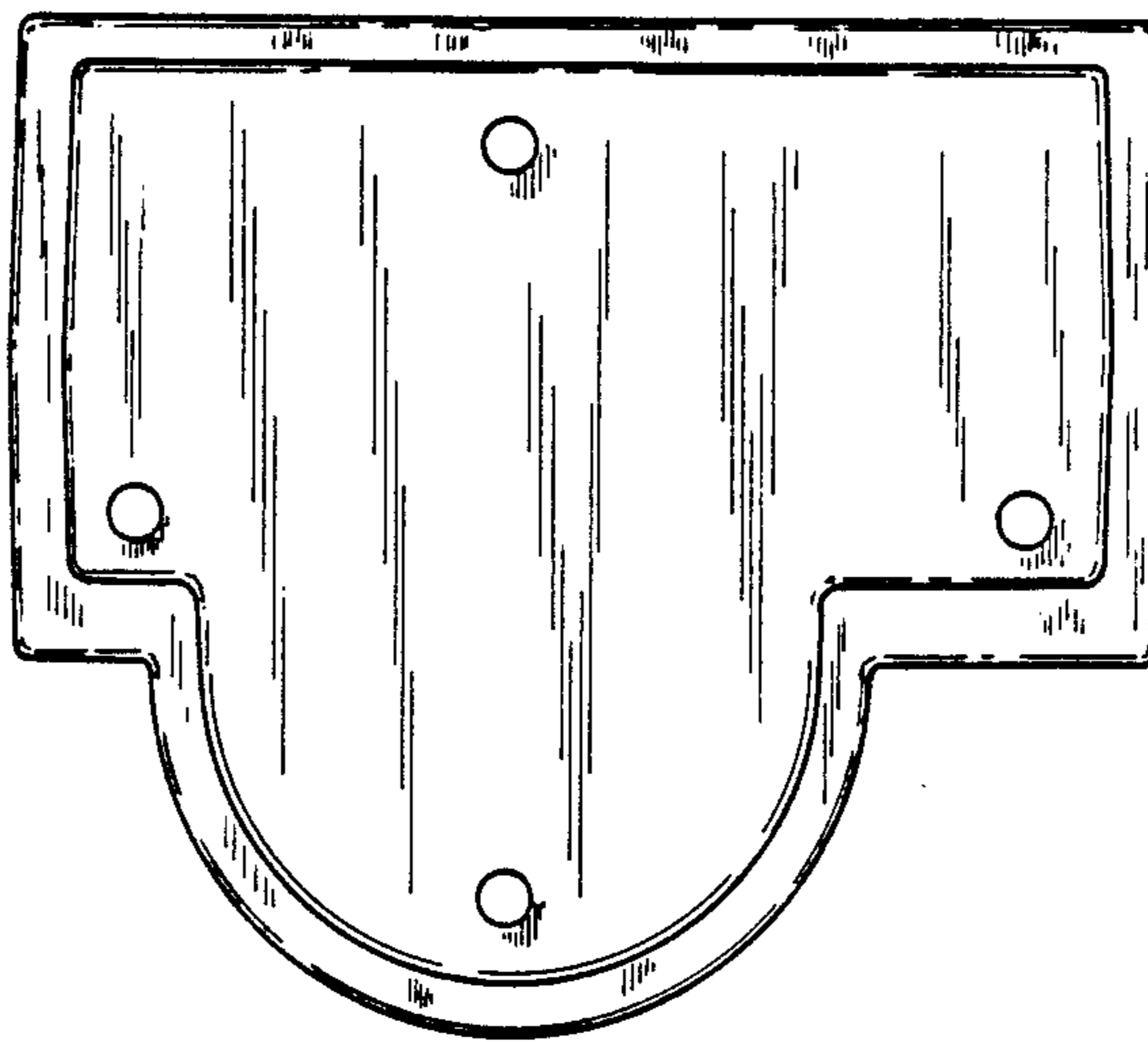


FIG. 7