

[54] **FRENCH FRY CUTTER**
[76] **Inventor: Andrew M. Glenn, 5221 Gilmore, St. Louis, Mo. 63120**
[**] **Term: 14 Years**
[21] **Appl. No.: 806,834**
[22] **Filed: Nov. 27, 1985**
[52] **U.S. Cl. D7/43**
[58] **Field of Search D7/43, 106, 99; 30/301, 30/302, 314, 315**

2,478,515 8/1949 Vincent D7/43 X

Primary Examiner—Bernard Ansher
Assistant Examiner—Terry Pfeffer
Attorney, Agent, or Firm—Terry M. Gernstein

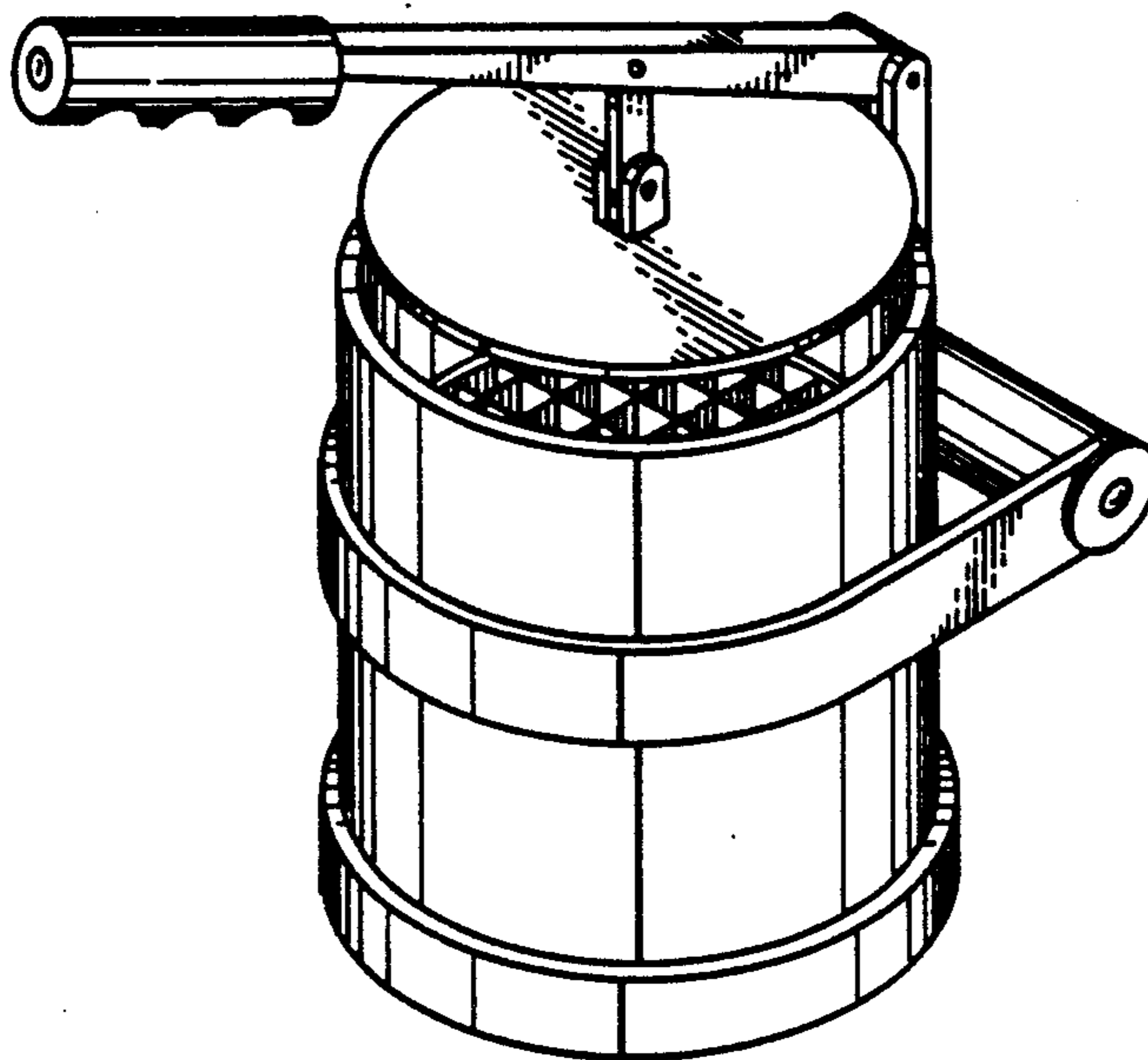
[57] **CLAIM**

The ornamental design for a french fry cutter, as shown and described.

DESCRIPTION

FIG. 1 is a right side elevation view of a french fry cutter showing my new design;
FIG. 2 is a front elevation view thereof.
FIG. 3 is a top plan view thereof.
FIG. 4 is a bottom plan view thereof.
FIG. 5 is a perspective view thereof.

[56] **References Cited**
U.S. PATENT DOCUMENTS
D. 280,690 9/1985 Bloxham D7/43
1,979,199 10/1934 Haynes D7/106 X



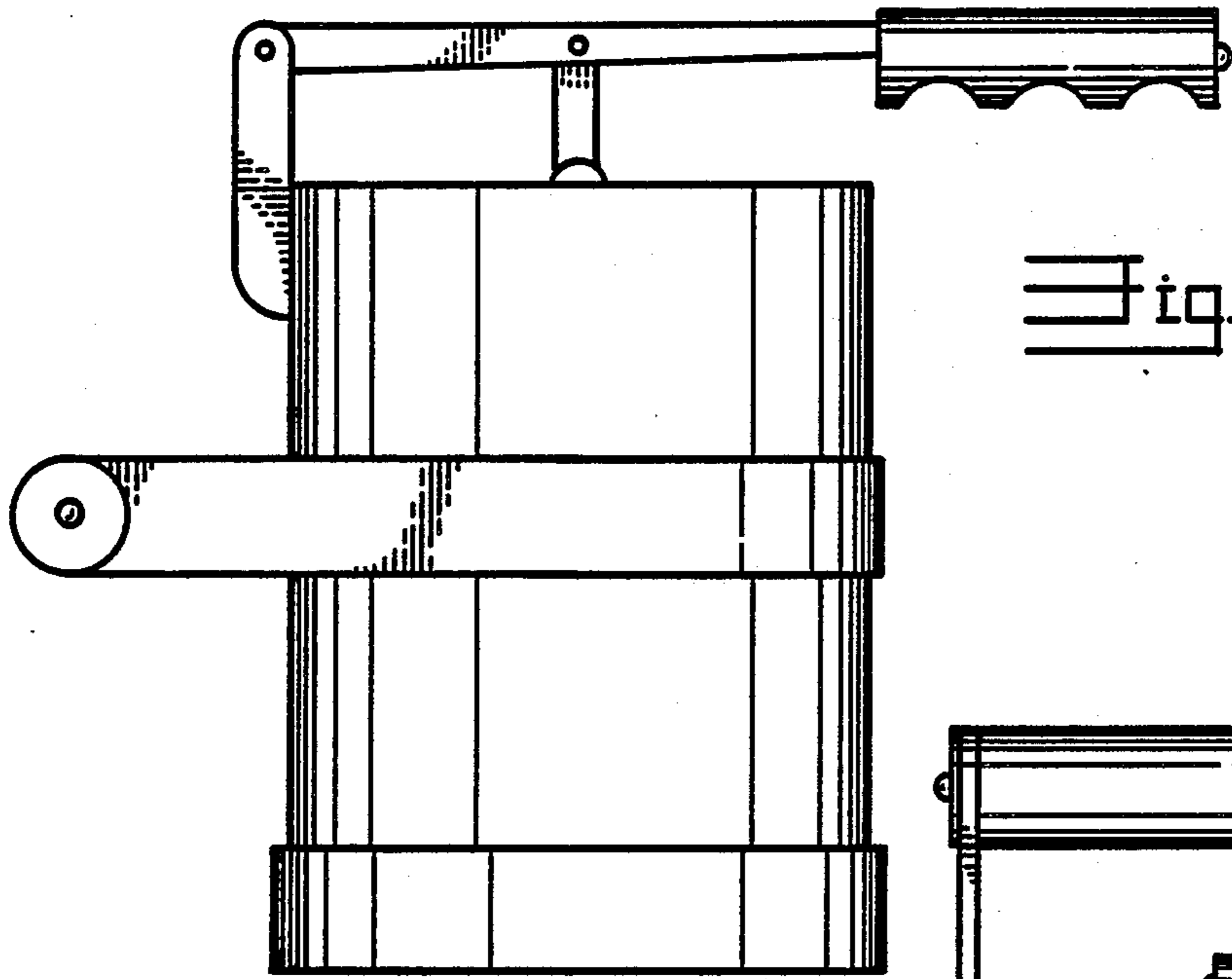


Fig. 1

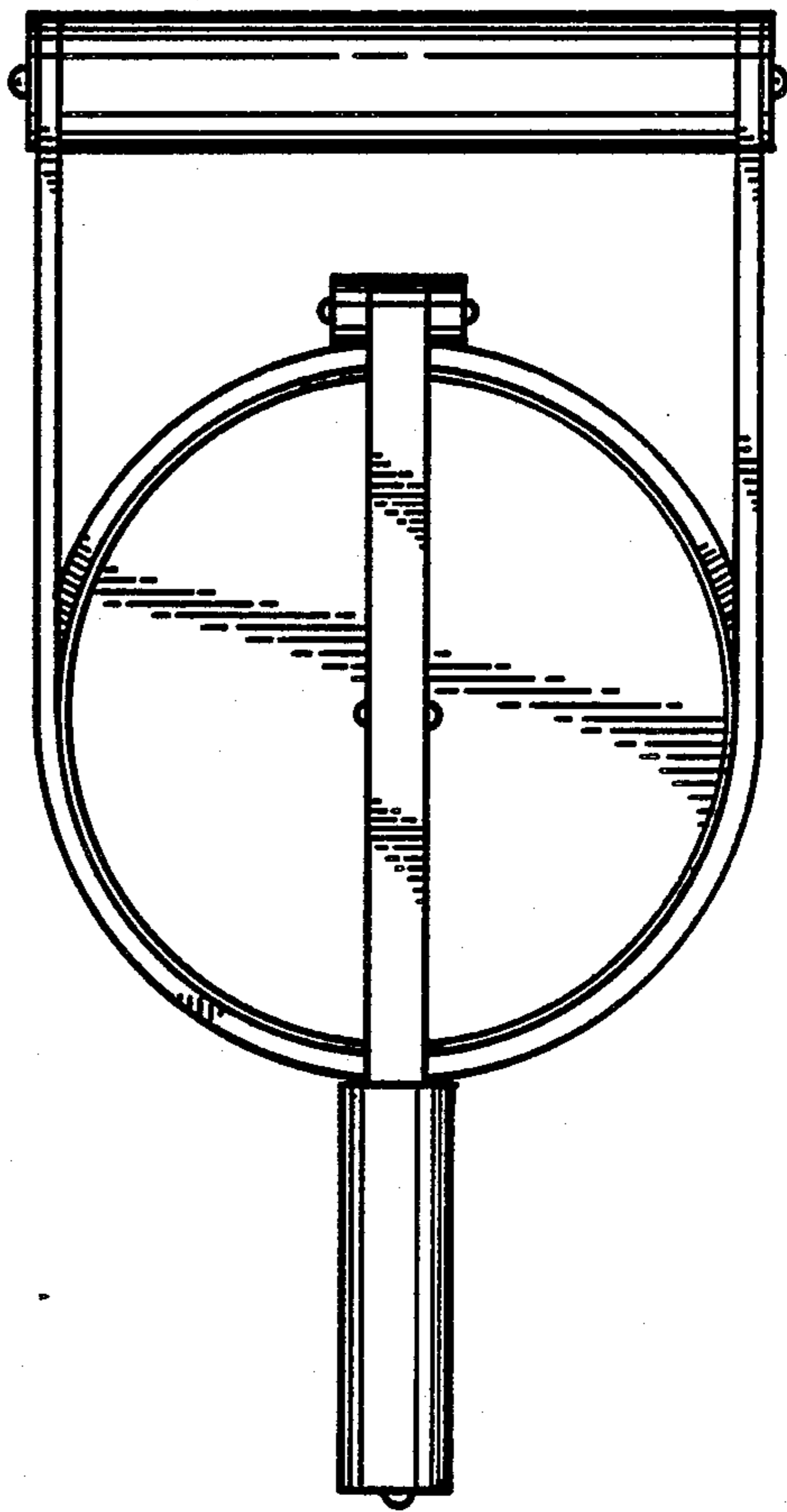
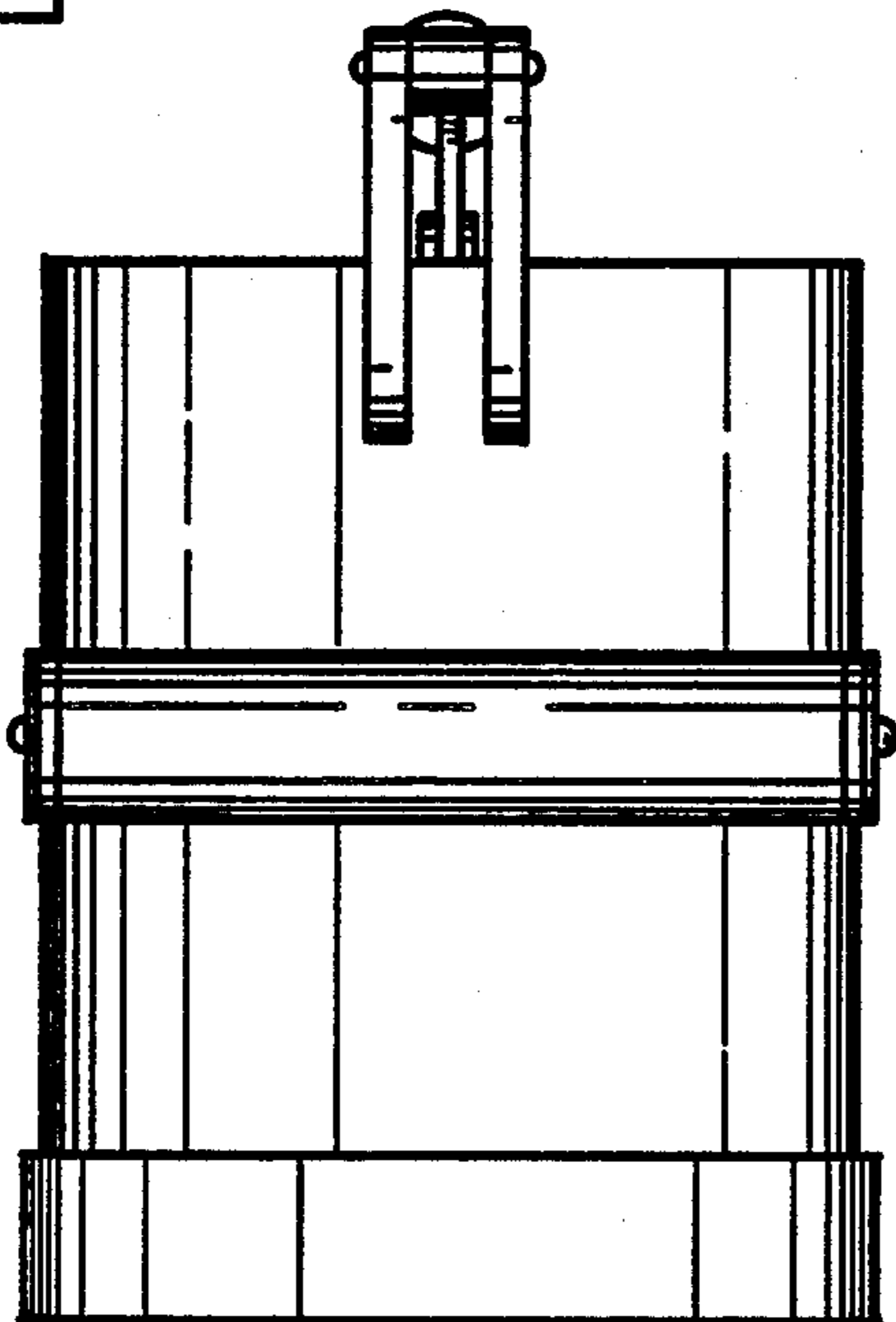


Fig. 2

Fig. 2



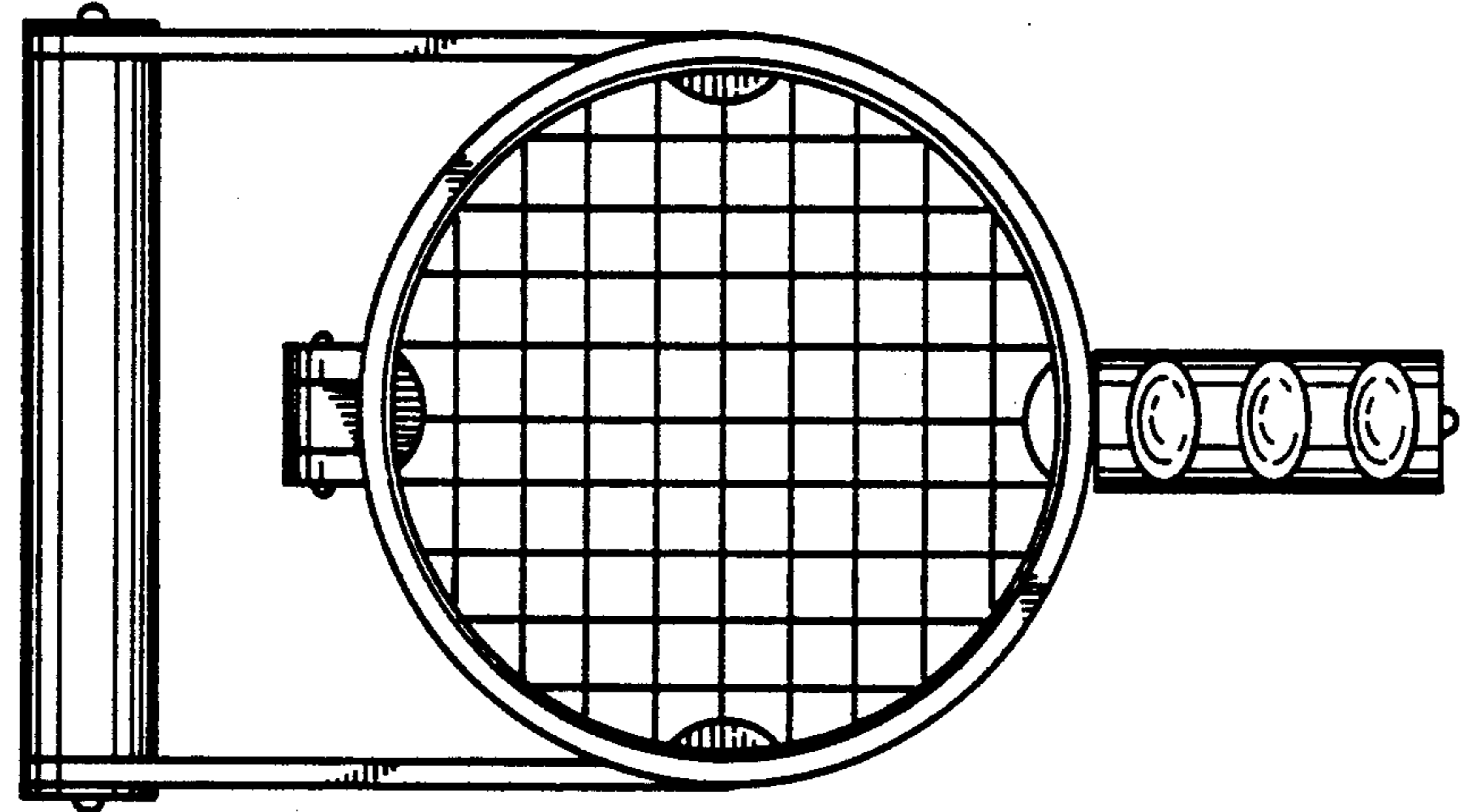


Fig. 4

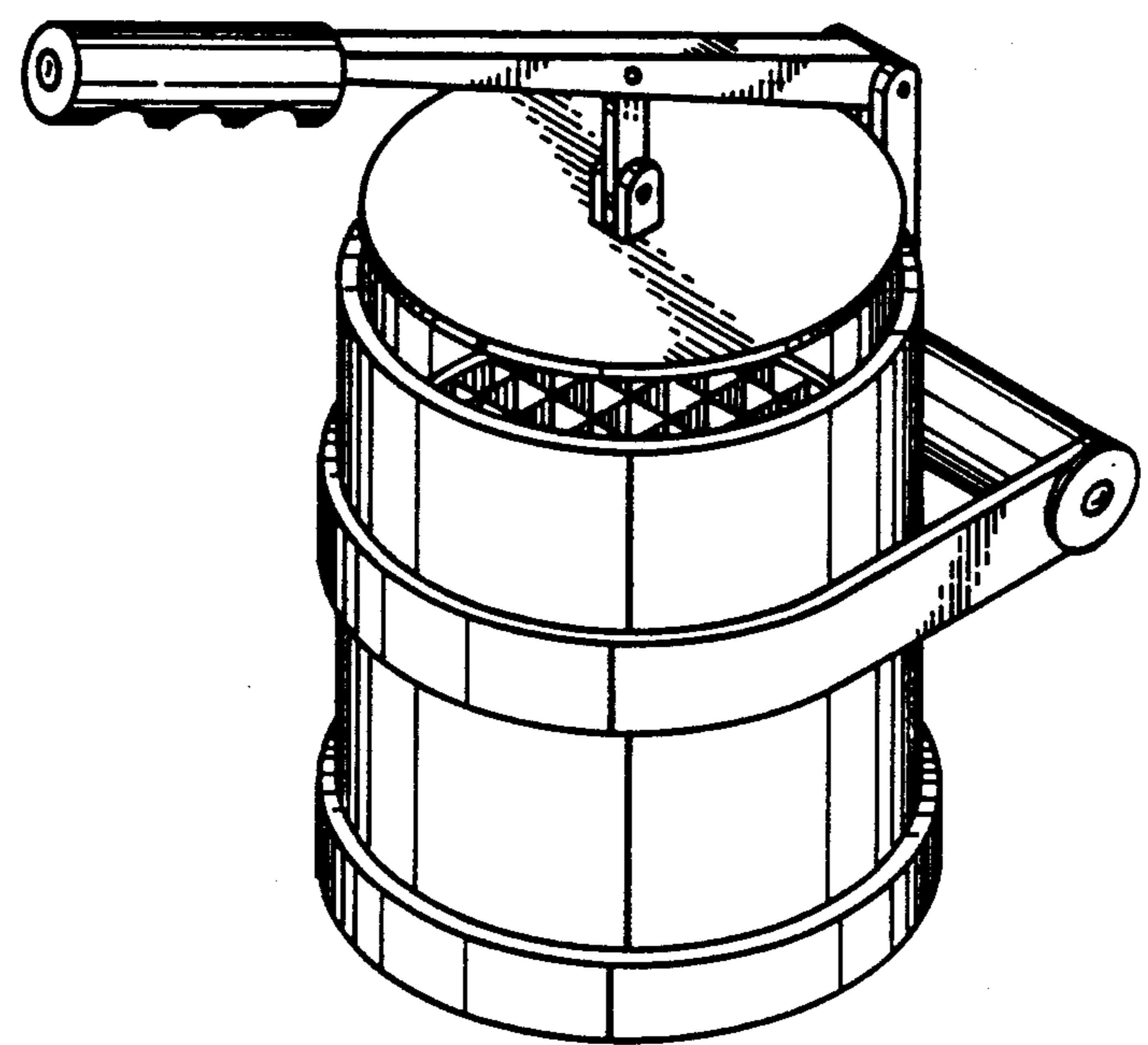


Fig. 5