

[54] WALL SHELF

[75] Inventors: Peter S. Fayerman, Bryn Mawr; Leslie A. Meck, Blandan, both of Pa.

[73] Assignee: Baldwins Hardware Corporaton, Reading, Pa.

[**] Term: 14 Years

[21] Appl. No.: 789,175

[22] Filed: Oct. 18, 1985

[52] U.S. Cl. D6/572; D8/351; D8/352

[58] Field of Search D6/567, 572, 574; D8/352, 381, 351; 248/235, 239, 250; 211/88, 90, 134, 153; 108/152

[56] References Cited

U.S. PATENT DOCUMENTS

- D. 204,801 5/1966 Rhoades D8/352
- D. 274,023 5/1984 Boroch D6/574
- 4,376,521 3/1983 Walters 211/90

FOREIGN PATENT DOCUMENTS

- 0713088 10/1931 France 211/90
- 0267569 9/1929 Italy 248/235

OTHER PUBLICATIONS

J.C. De Jong & Co. Cat. No. 704; p. C-1; ornament #1905 (second from left, top row).

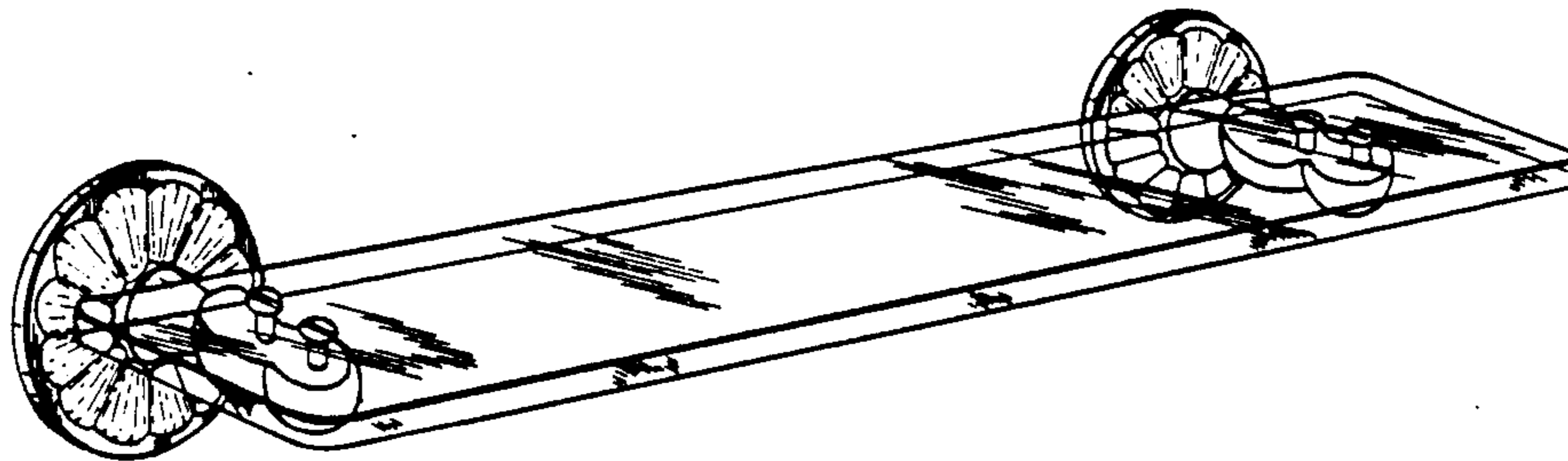
Primary Examiner—B. J. Bullock
Attorney, Agent, or Firm—Steven L. Permut; Malcolm L. Sutherland

[57] CLAIM

The ornamental design for a wall shelf, as shown and described.

DESCRIPTION

FIG. 1 is a perspective view of a wall shelf showing our new design;
 FIG. 2 is an enlarged top plan view thereof;
 FIG. 3 is a front elevational view thereof, the rear being unornamented;
 FIG. 4 is an enlarged bottom plan view thereof;
 FIG. 5 is an enlarged left side elevational view thereof, the side opposite being a mirror image thereof;
 FIG. 6 is a perspective view of a second embodiment of the design of FIG. 1;
 FIG. 7 is an enlarged top plan view of FIG. 6;
 FIG. 8 is an enlarged front elevational view of FIG. 6;
 FIG. 9 is an enlarged bottom plan view of FIG. 6;
 FIG. 10 is an enlarged left side elevational view of FIG. 6, the side opposite being a mirror image.



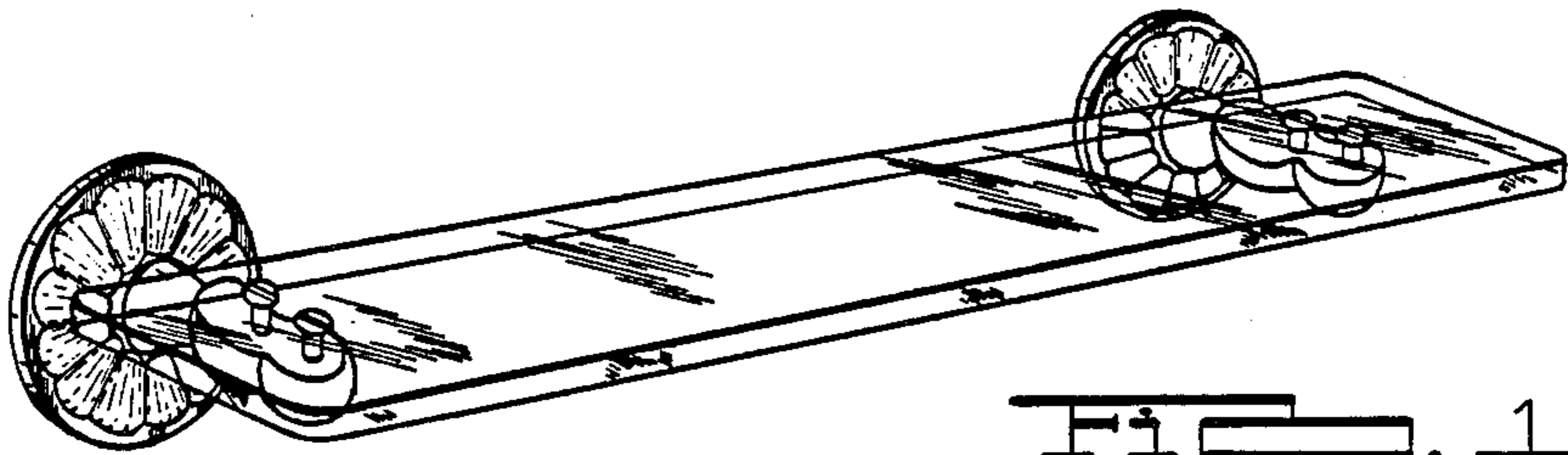


Fig. 1.

Fig. 2.

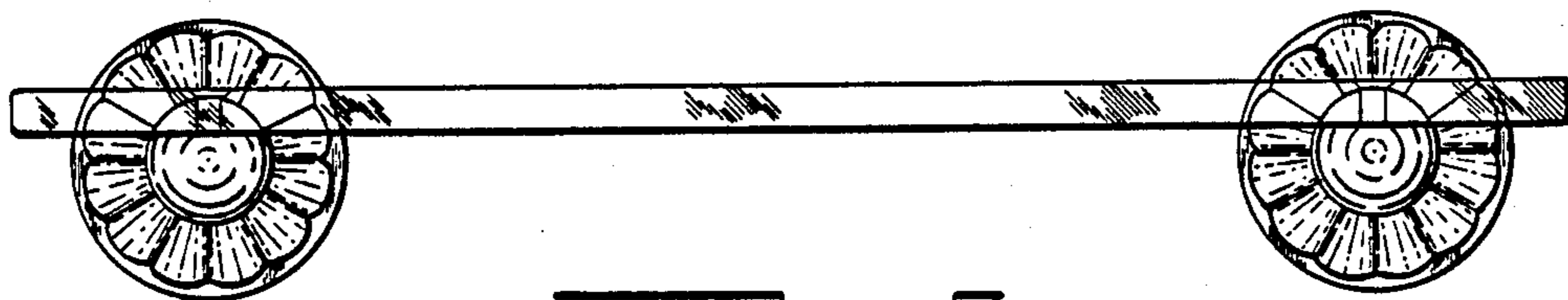
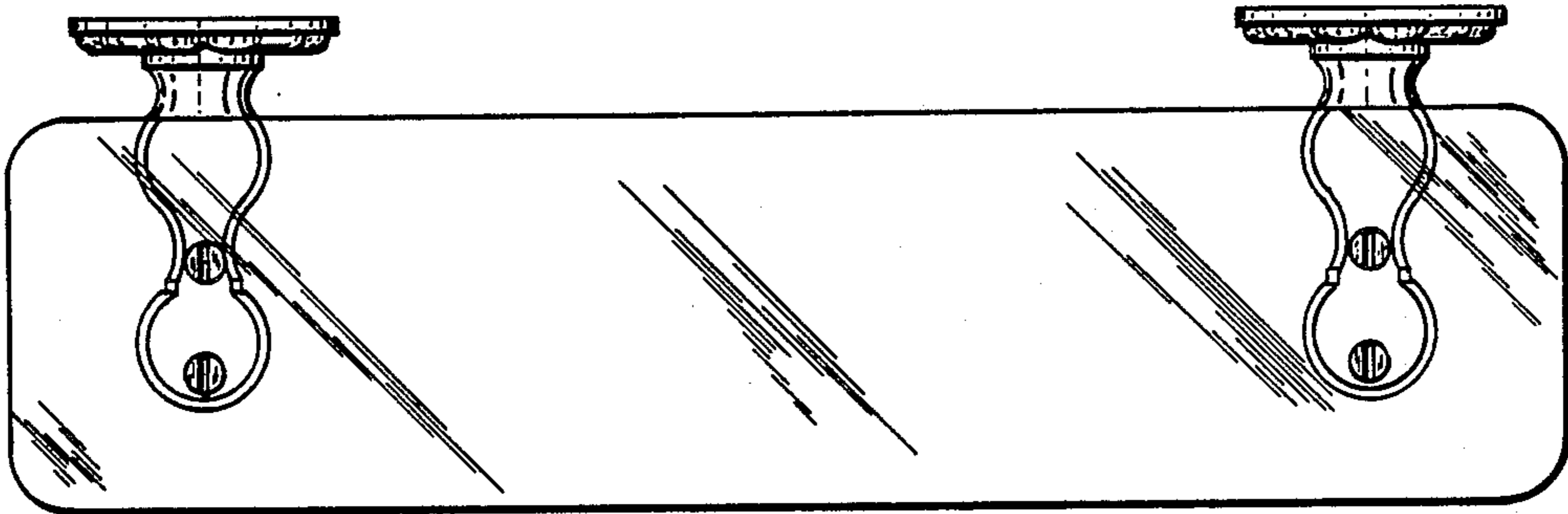


Fig. 3.

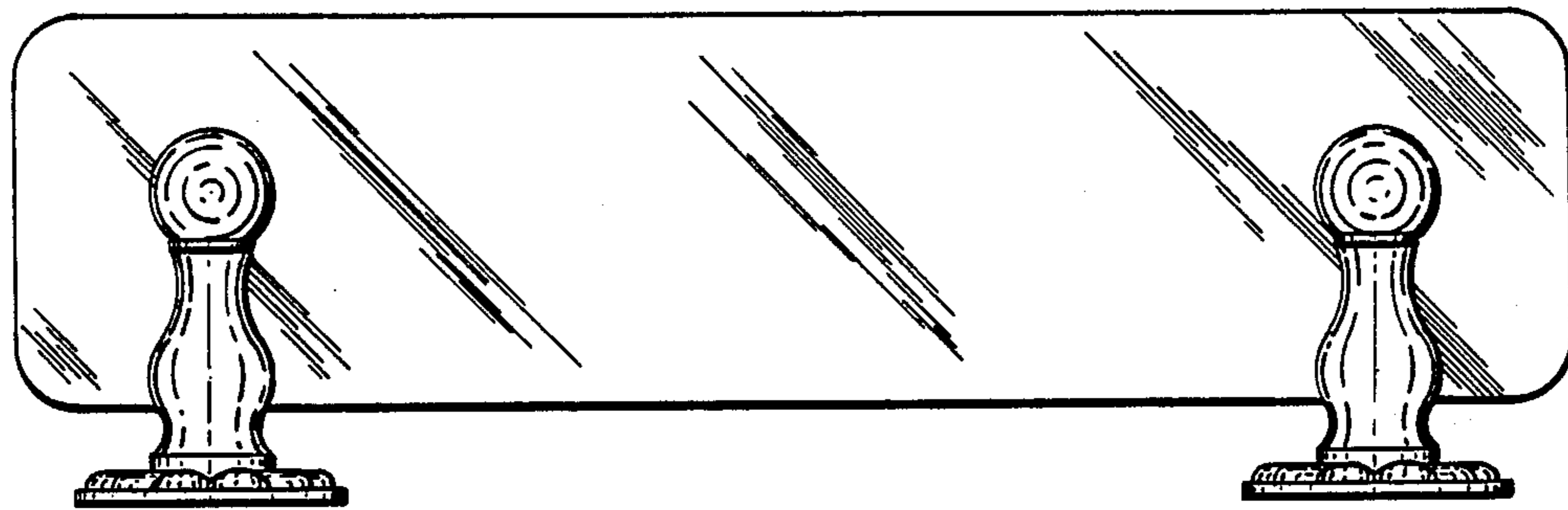


Fig. 4.

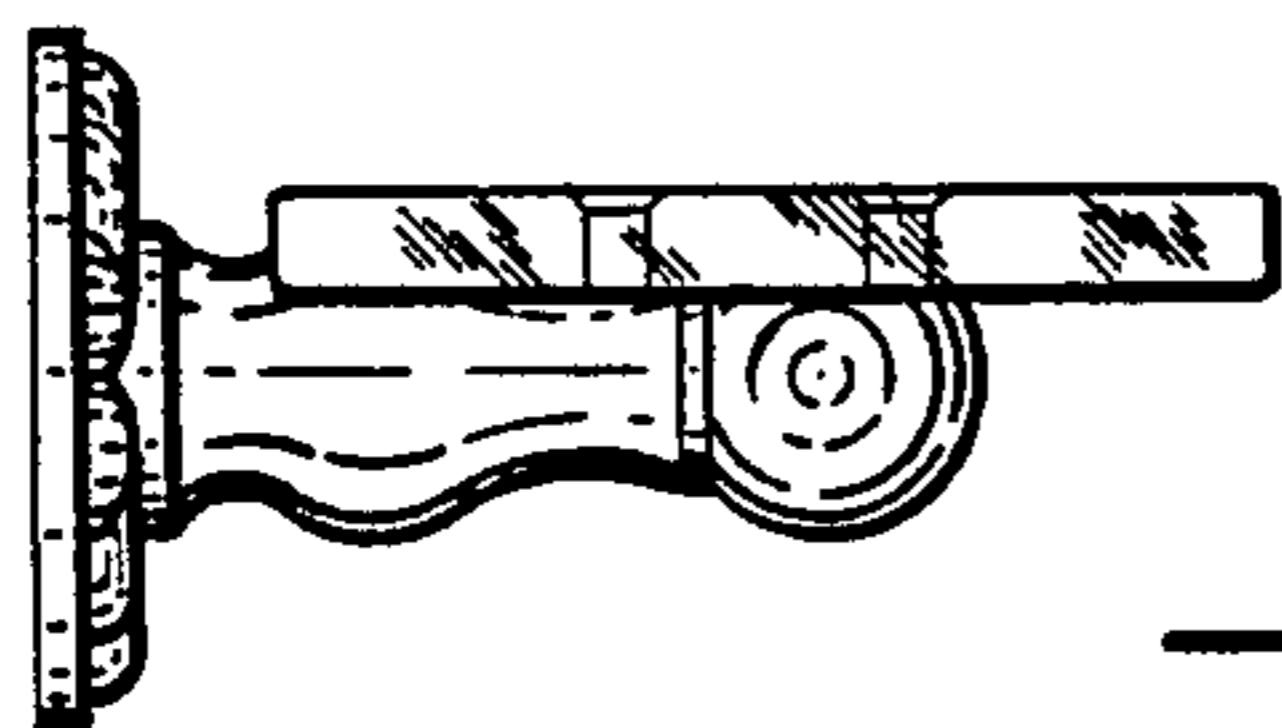


Fig. 5.

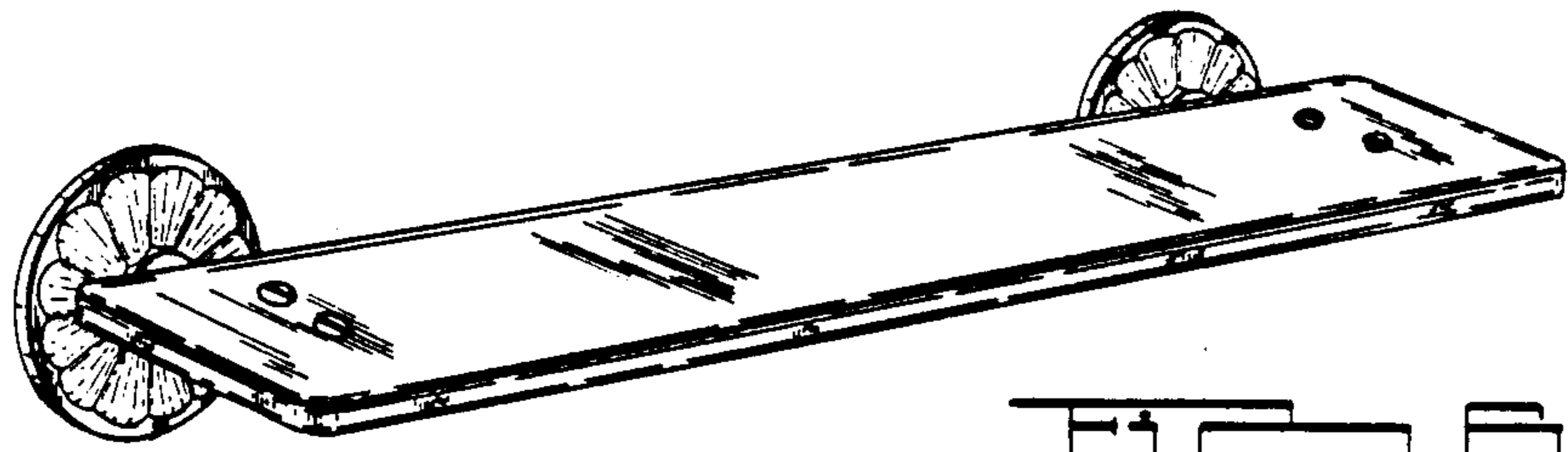


Fig. 6.

Fig. 7.

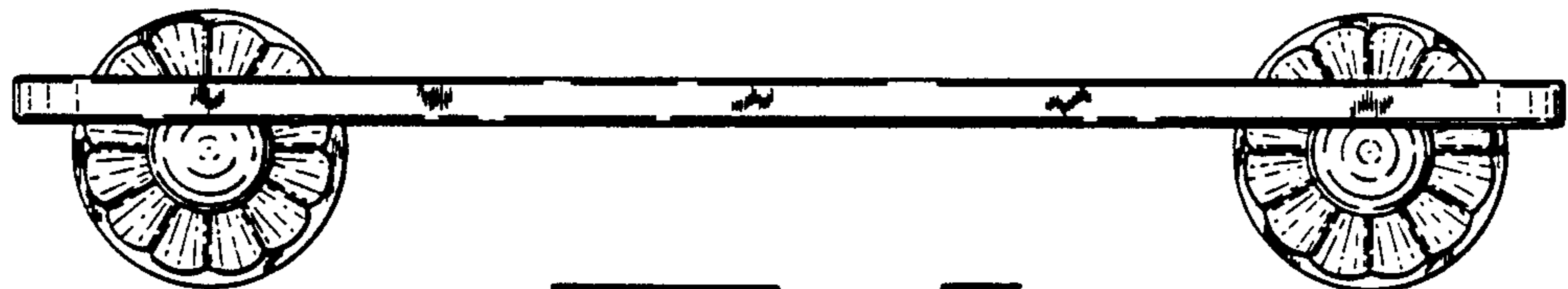
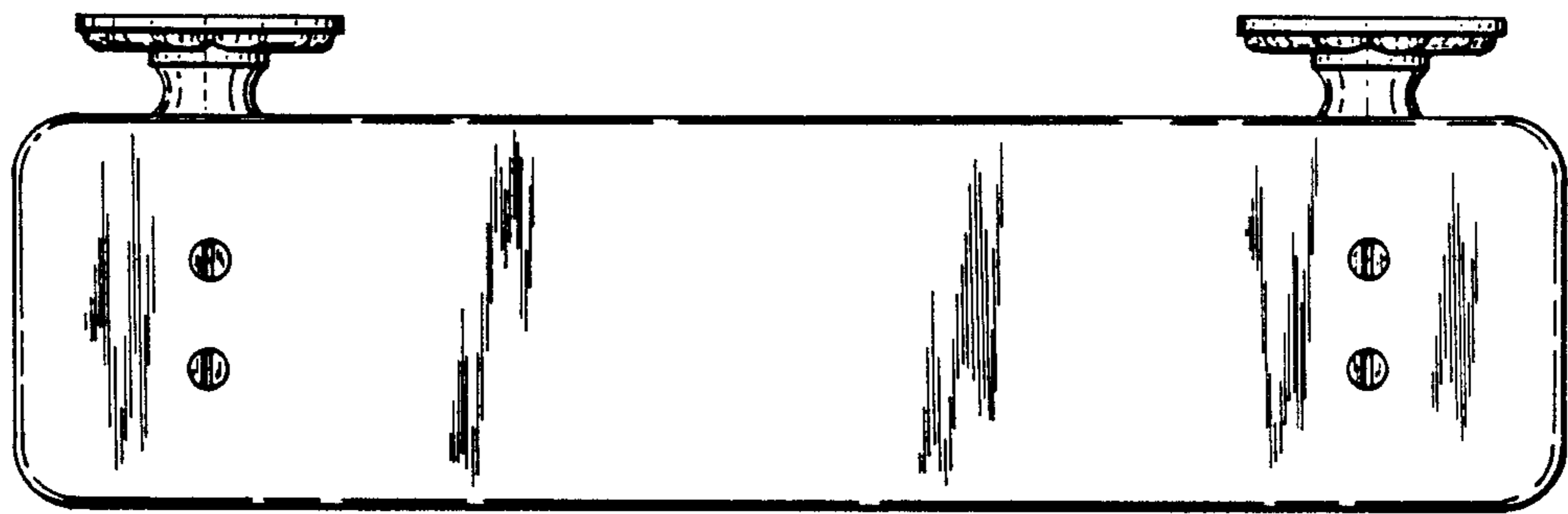


Fig. 8.

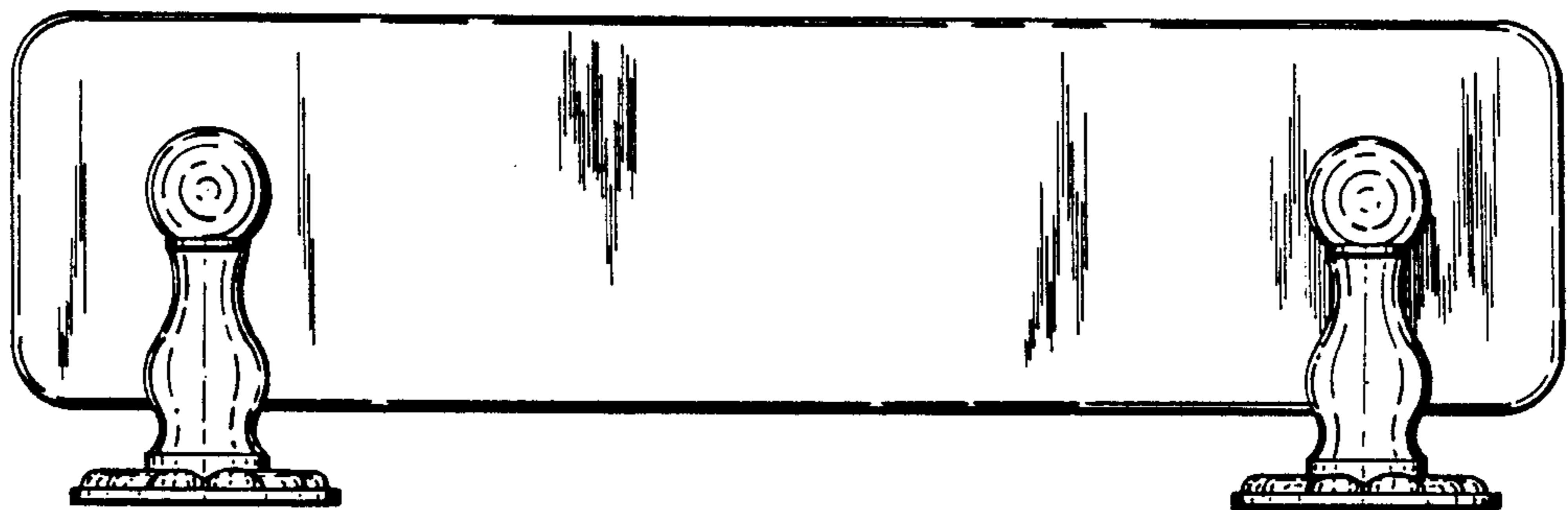


Fig. 9.

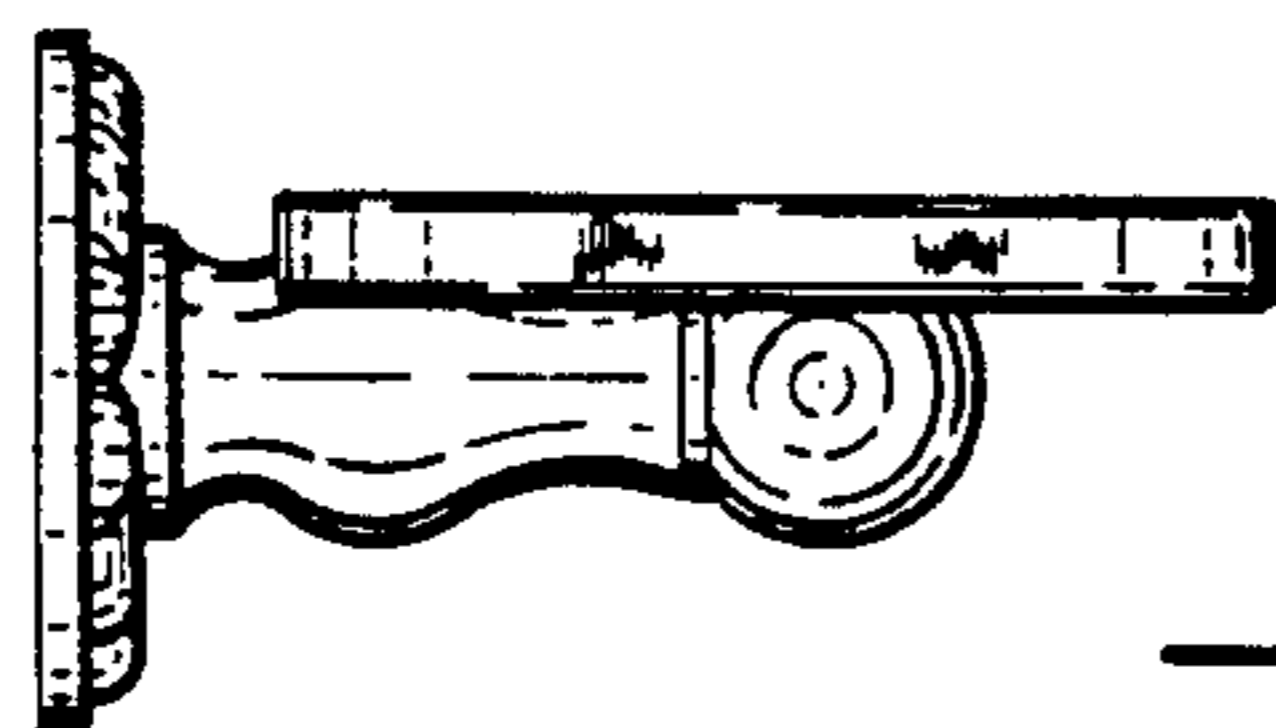


Fig. 10.