

[54] **BOTTOM OUTFEED ELEMENT FOR A CREPE PAPER DISPENSER**

[75] **Inventor:** Jan Iwarsson, Gothenburg, Sweden

[73] **Assignee:** Molnlycke Aktiebolag, Gothenburg, Sweden

[**] **Term:** 14 Years

[21] **Appl. No.:** 806,268

[22] **Filed:** Nov. 20, 1985

[30] **Foreign Application Priority Data**

May 20, 1985 [SE] Sweden 85-1310

[52] **U.S. CL.** D6/518

[58] **Field of Search** D6/512, 515, 518;
221/16, 33, 47, 303, 309; 312/37-40, 42;
225/28; 206/233, 409

[56] **References Cited**

U.S. PATENT DOCUMENTS

D. 237,536 11/1975 Hagglund et al. D6/522

D. 237,537 11/1975 Hagglund et al. D6/522

D. 285,995 10/1986 Minost D6/522

4,373,687 2/1983 Zicko 206/409 X

4,524,895 6/1985 Lunden 225/77 X

FOREIGN PATENT DOCUMENTS

2421178 11/1974 Fed. Rep. of Germany 221/33

Primary Examiner—Wallace R. Burke

Assistant Examiner—Brian N. Vinson

Attorney, Agent, or Firm—Young & Thompson

[57] **CLAIM**

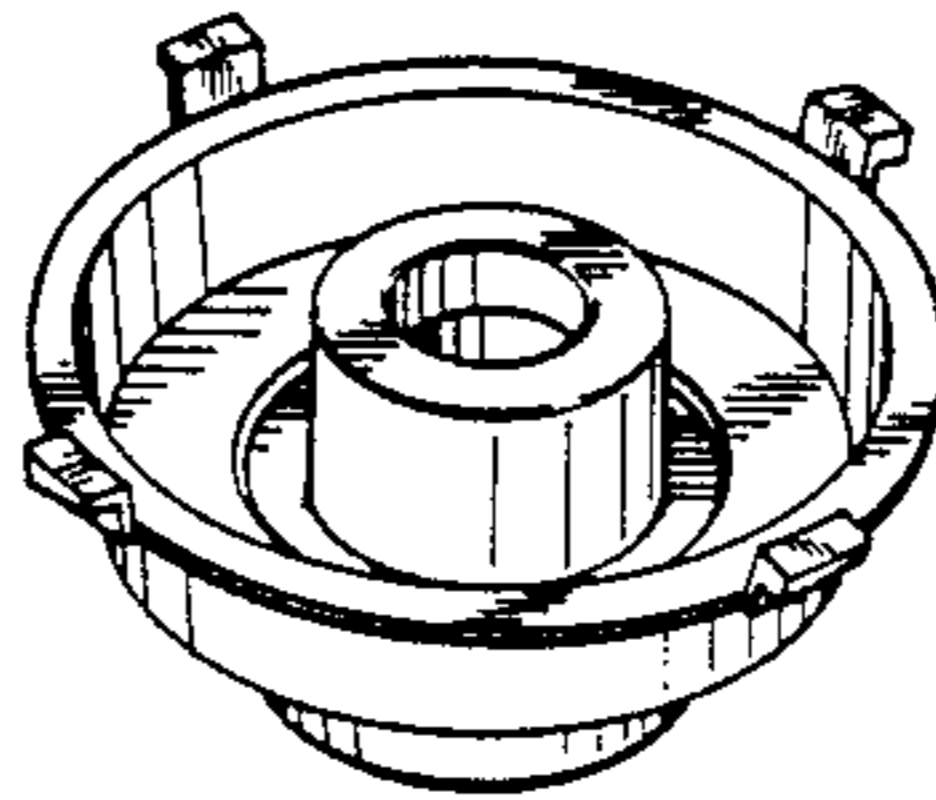
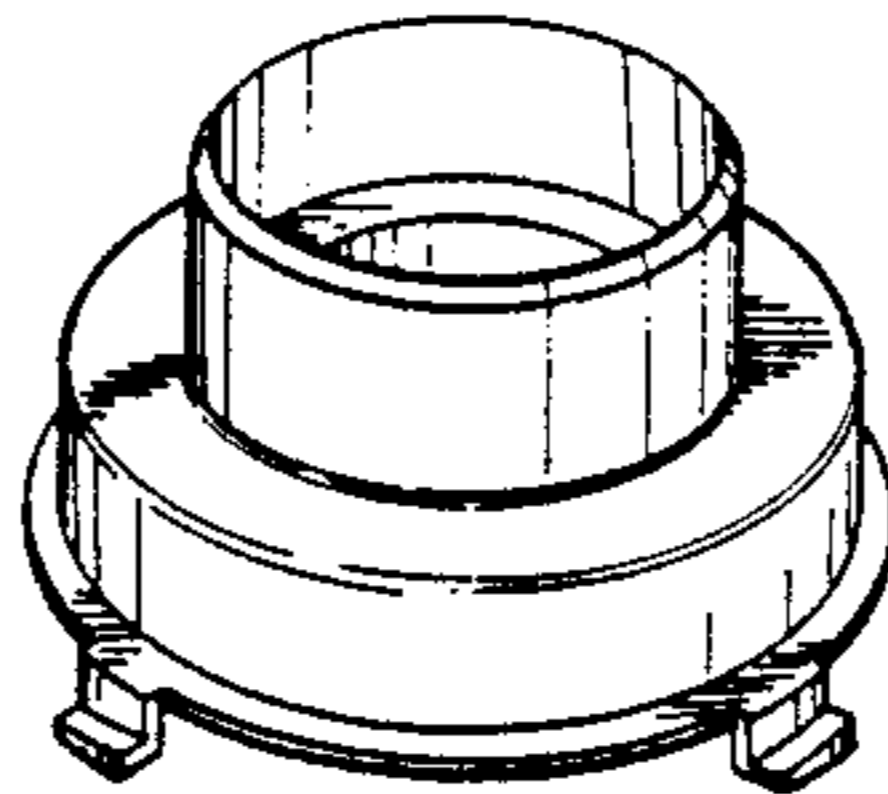
The ornamental design for a bottom outfeed element for a crepe paper dispenser, as shown and described.

DESCRIPTION

FIG. 1 is a top perspective view of a bottom outfeed element for a crepe paper dispenser showing my new design; and

FIG. 2 is a bottom perspective view thereof.

The sides opposite those shown in FIGS. 1 and 2 are identical thereto.



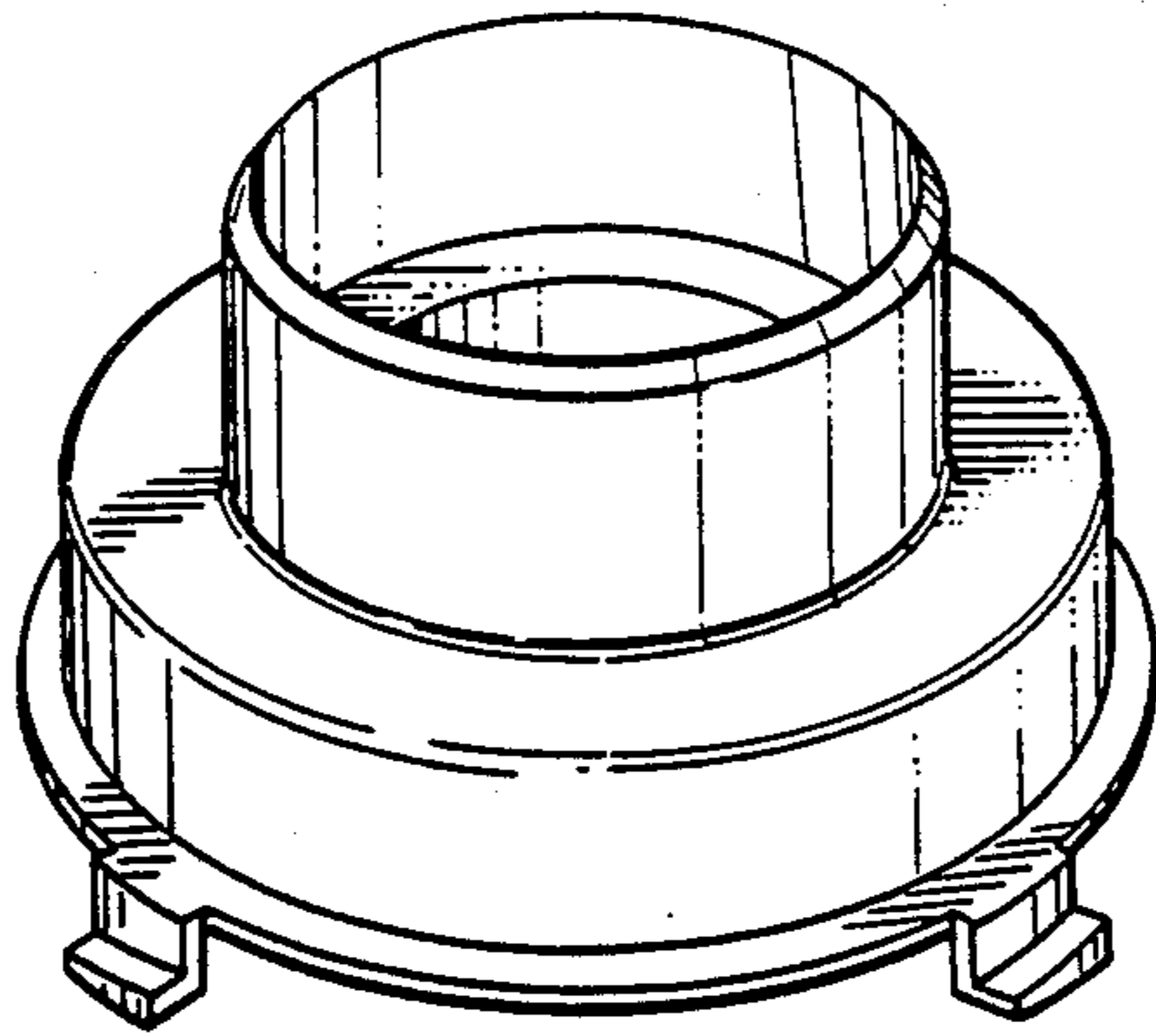


FIG. 1

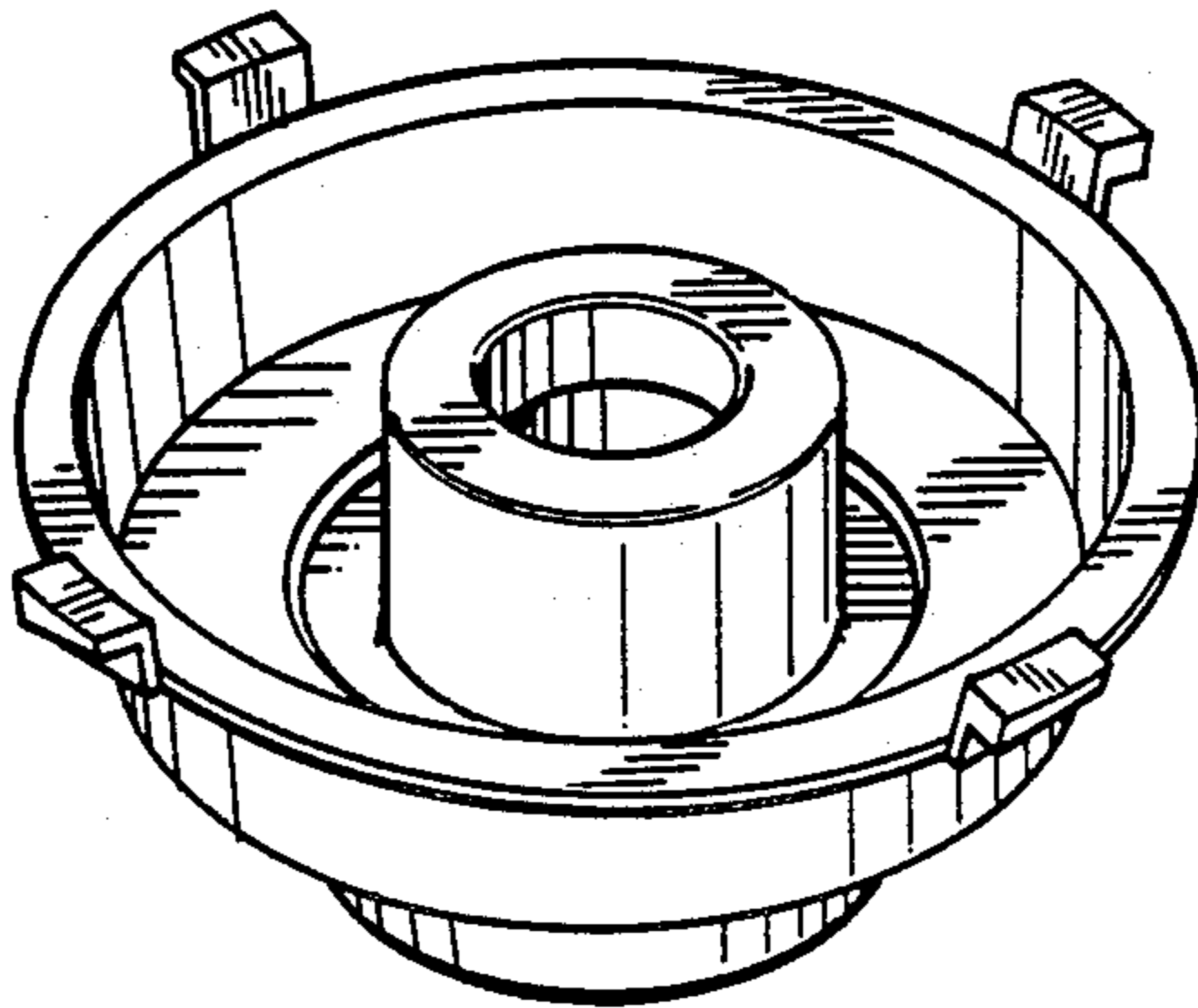


FIG. 2