

[54] TABLE BASE

[75] Inventor: Ed E. Murry, Coldwater, Miss.

[73] Assignee: Chromcraft Furniture Corporation,  
Senatobia, Miss.

[\*\*] Term: 14 Years

[21] Appl. No.: 859,727

[22] Filed: May 5, 1986

[52] U.S. Cl. .... D6/499; D6/495

[58] Field of Search ..... D6/449, 480, 484, 486,  
D6/487, 488, 495, 498, 499; 248/188, 188.7

[56] References Cited

U.S. PATENT DOCUMENTS

D. 159,609	8/1950	Goldberg .....	D6/487
D. 164,365	8/1951	Hebert .....	D6/486 X
D. 240,382	7/1976	Hendrickson et al. ....	D6/487
D. 270,318	8/1983	Murry .....	D6/499
D. 279,634	7/1985	Platner .....	D6/487

2,954,953	10/1960	Mallet-Prevost, Jr. ....	D6/498 X
3,990,663	11/1976	Hendrickson et al. ....	248/188.7
4,700,915	10/1987	Killian .....	248/188.1

OTHER PUBLICATIONS

Chromcraft catalog, "Chrome Collection", table No. T82C 334 01.

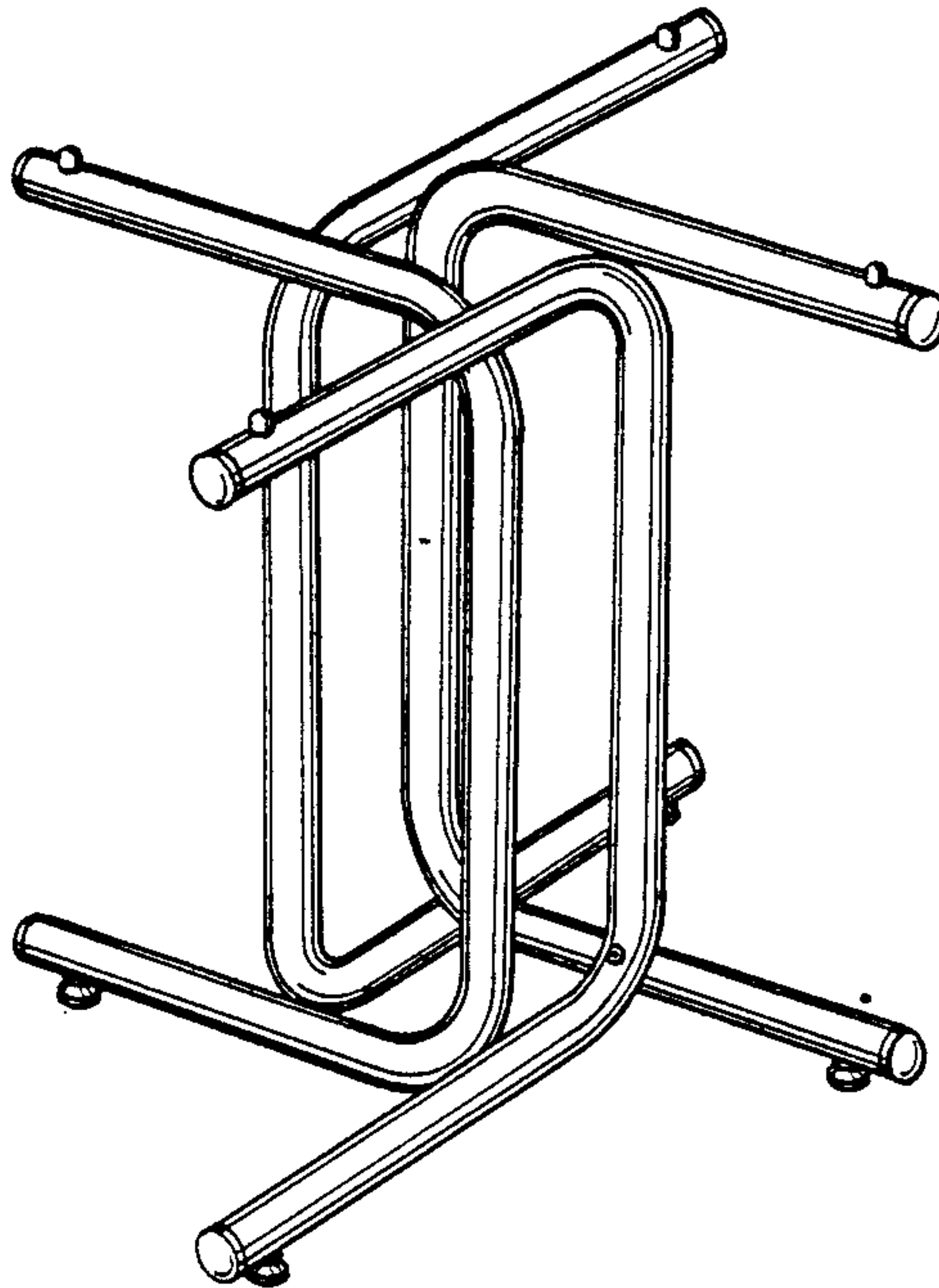
Primary Examiner—Bruce W. Dunkins  
Attorney, Agent, or Firm—Wolf, Greenfield & Sacks

[57] CLAIM

The ornamental design for a table base, as shown and described.

DESCRIPTION

FIG. 1 is an elevational view of a table base showing one of the four identical sides of my design; FIG. 2 is a top plan view; FIG. 3 is a bottom plan view; and FIG. 4 is a perspective view thereof. The table top depicted in broken lines in FIG. 1 has been shown for illustrative purposes only.



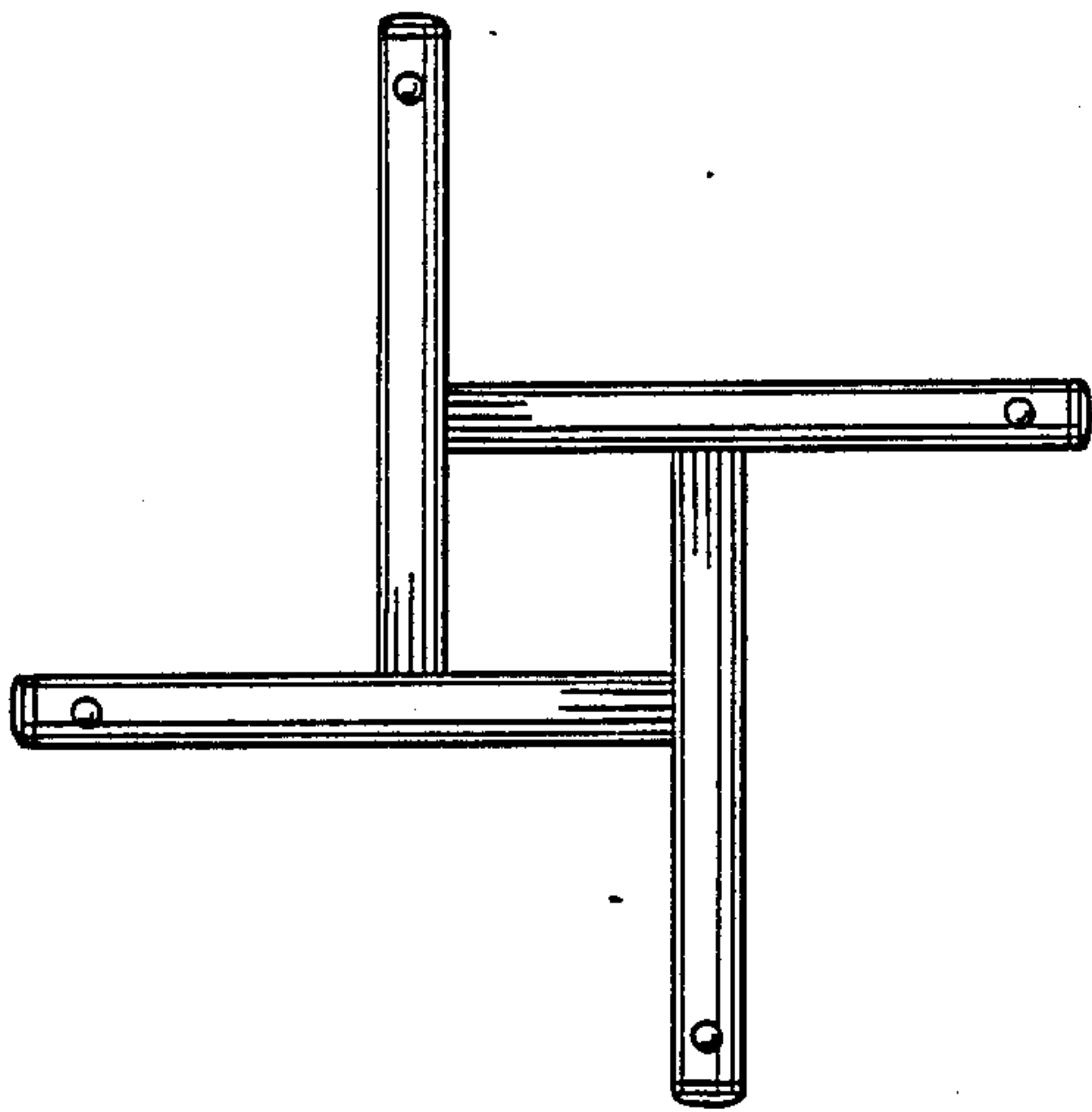
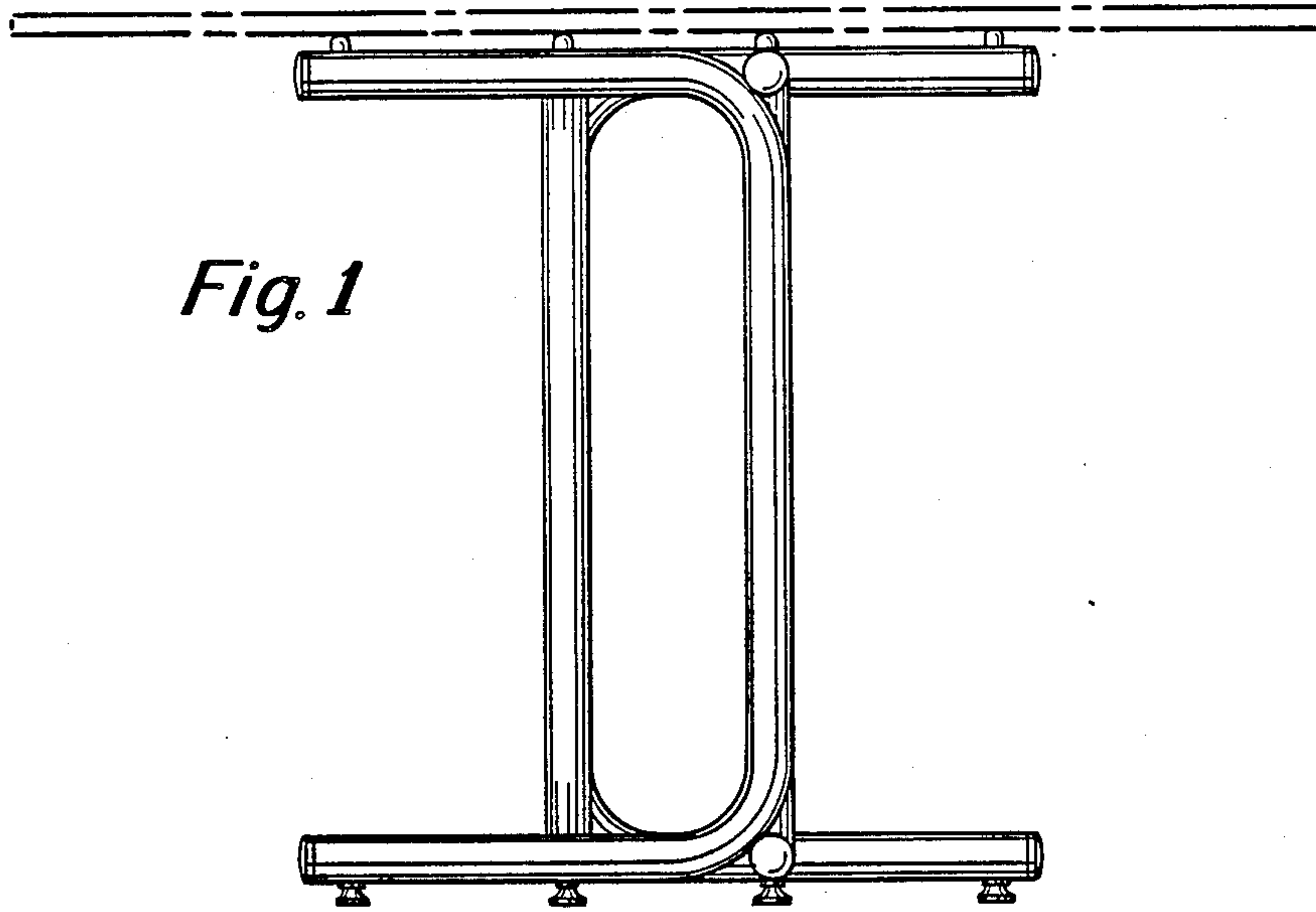
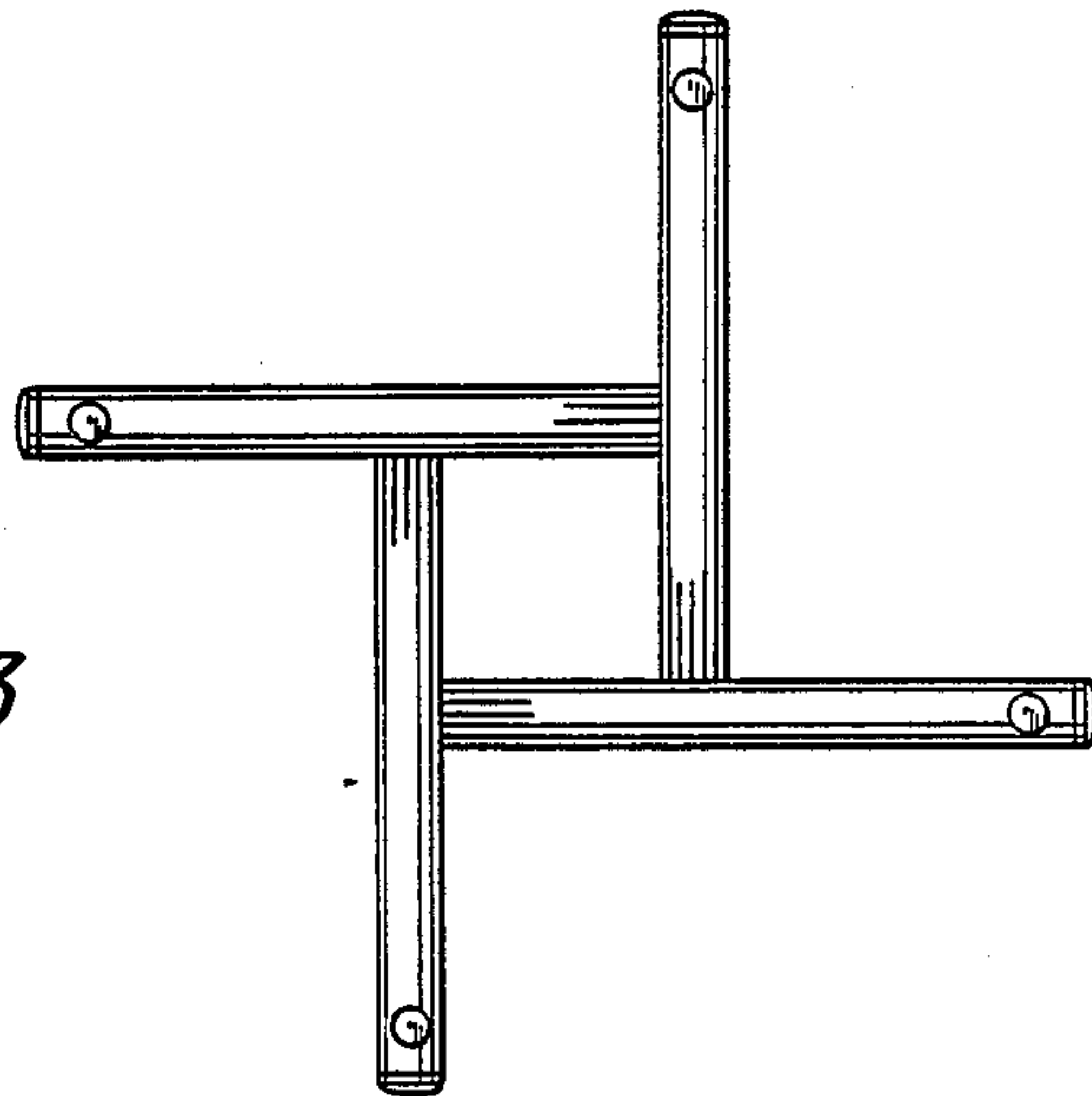
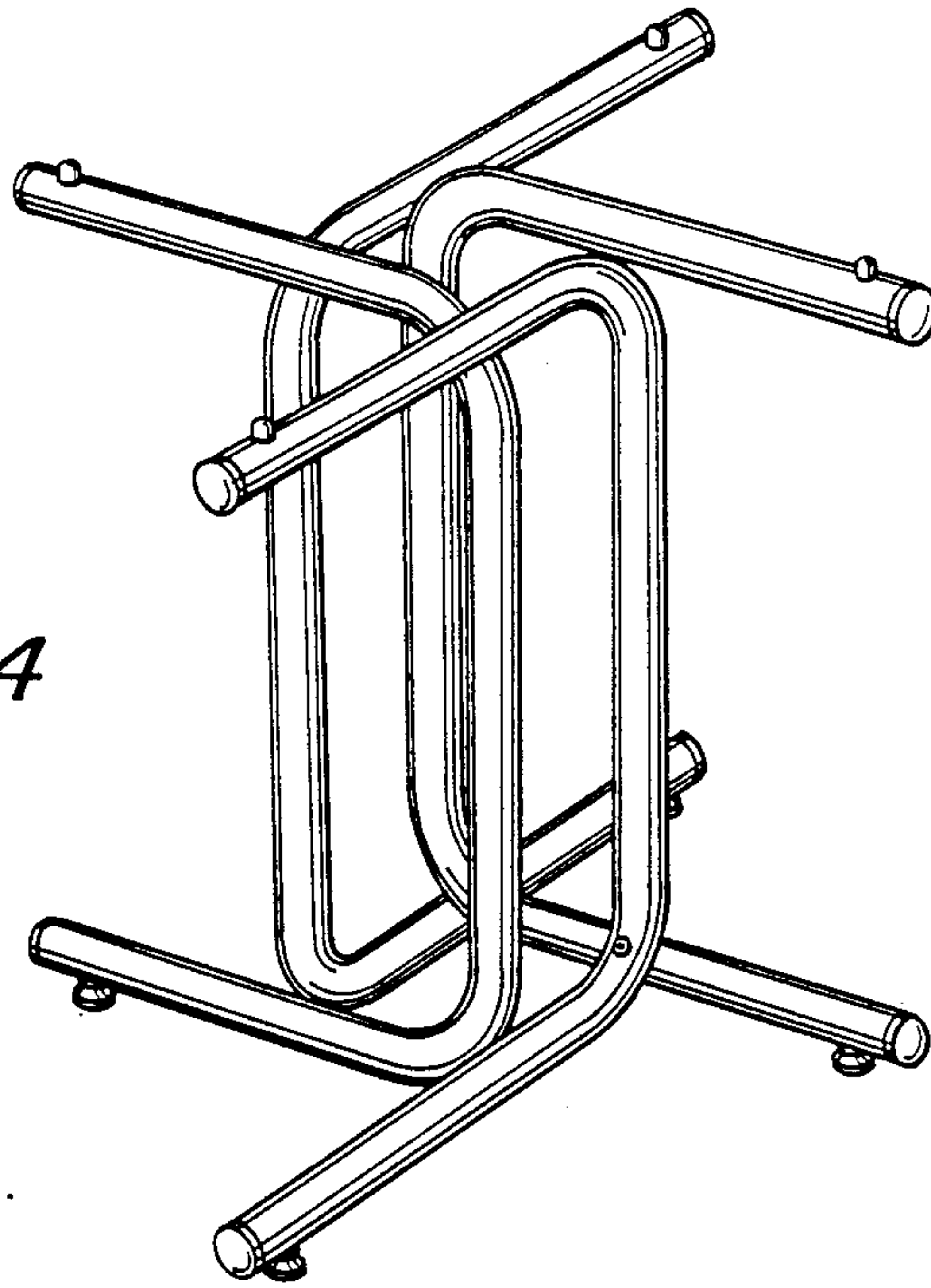


Fig. 2

Fig. 3





*Fig. 4*