

[54] COMBINED TABLE TOP AND SUPPORT THEREFOR

[75] Inventor: Richard D. Berry, Jr., Hickory, N.C.

[73] Assignee: Design Institute America, Inc., Montpelier, Ohio

[**] Term: 14 Years

[21] Appl. No.: 814,909

[22] Filed: Dec. 30, 1985

[52] U.S. Cl. D6/487; D6/484; D6/486; D6/511

[58] Field of Search D6/480, 482, 484, 486, D6/487, 488, 489

[56] References Cited

U.S. PATENT DOCUMENTS

D. 169,261	4/1953	Keal	D6/486 X
D. 197,722	3/1964	Crawford	D6/482
D. 222,589	11/1971	Leaver	D6/486
D. 222,836	1/1972	Sciarrino et al.	D6/486
D. 225,598	12/1972	Leaver	D6/486 X
D. 235,084	5/1975	Kephart	D6/485 X
D. 291,393	8/1987	Livi	D6/482

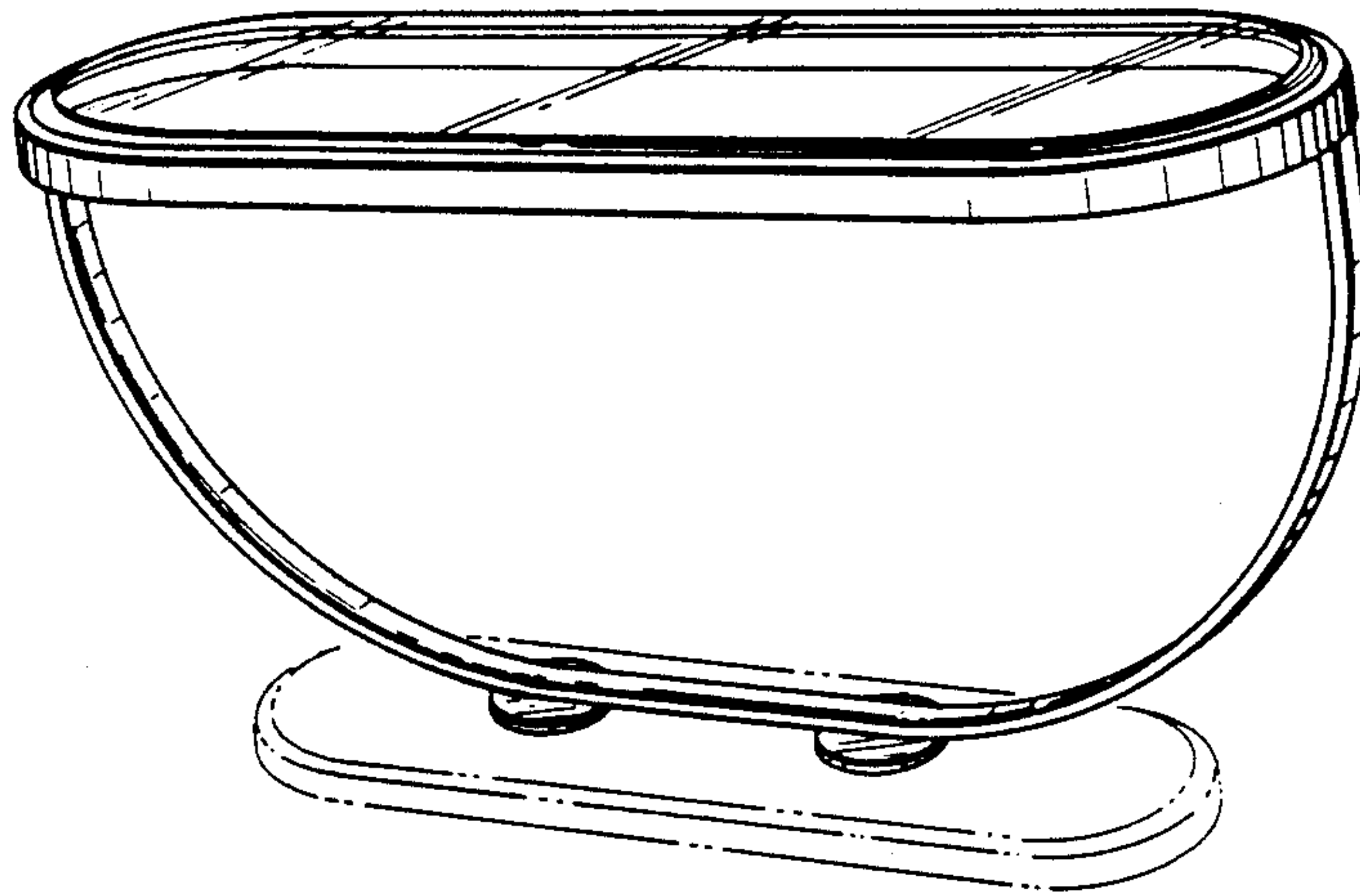
Primary Examiner—Bruce W. Dunkins
Attorney, Agent, or Firm—Marshall & Melhorn

[57] CLAIM

The ornamental design of a combined table top and support therefor, as shown and described.

DESCRIPTION

FIG. 1 is a perspective view of one embodiment of a combined table top and support therefor embodying my new design;
 FIG. 2 is a top plan view thereof;
 FIG. 3 is a bottom plan view thereof;
 FIG. 4 is a side elevational view, thereof;
 FIG. 5 is a front elevational view thereof;
 FIG. 6 is a perspective view of a second embodiment of a combined table top and support therefor embodying my design;
 FIG. 7 is a top plan view thereof;
 FIG. 8 is a bottom plan view thereof;
 FIG. 9 is a side elevational view thereof;
 FIG. 10 is a front elevational view thereof;
 FIG. 11 is a perspective view of a third embodiment of a combined table top and support therefor embodying my design;
 FIG. 12 is a top plan view thereof;
 FIG. 13 is a bottom plan view thereof;
 FIG. 14 is a side elevational view thereof; and
 FIG. 15 is a front elevational view thereof.
 The broken lines in the drawings are for a illustrative purposes only.



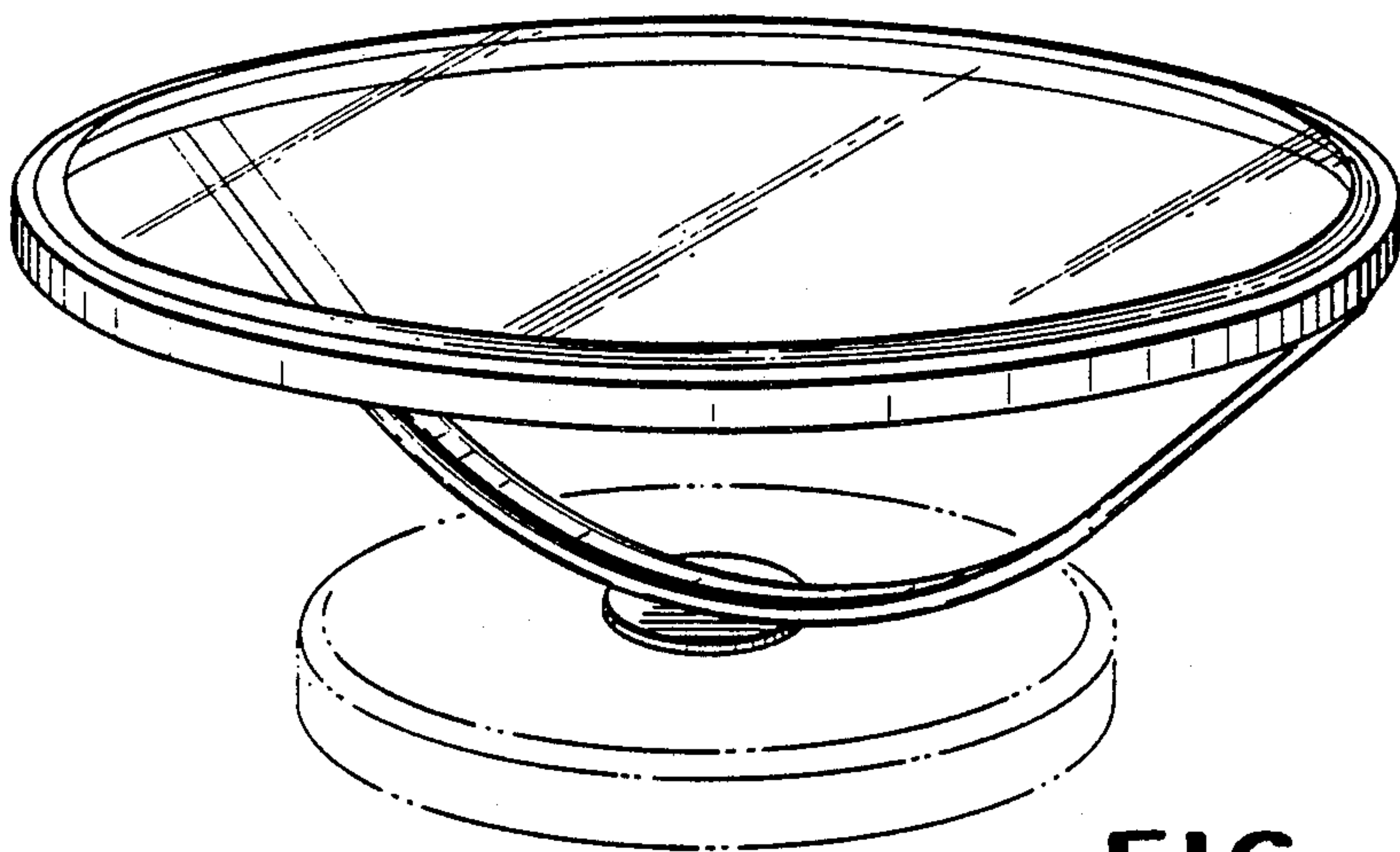


FIG. 1

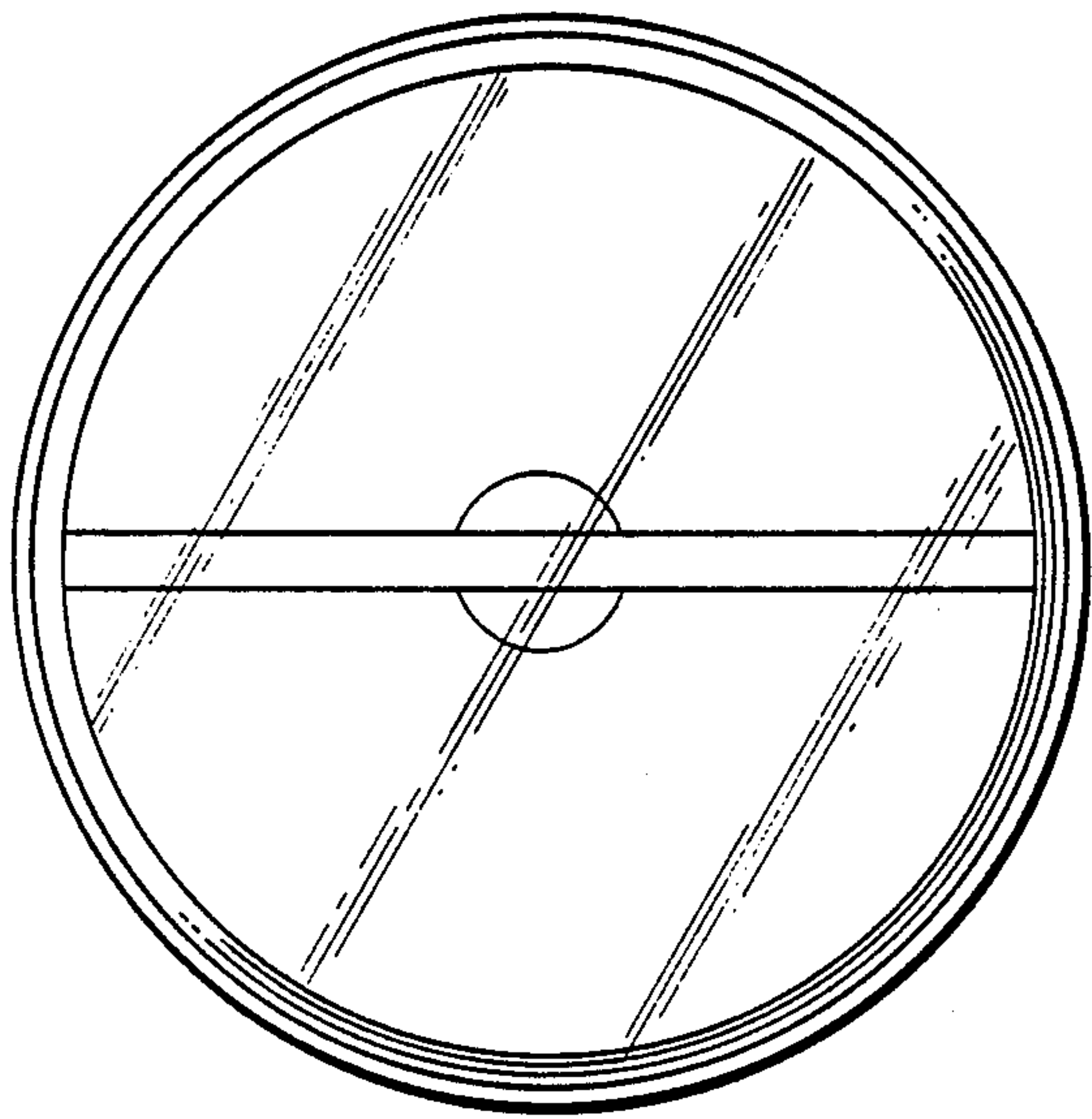


FIG. 2

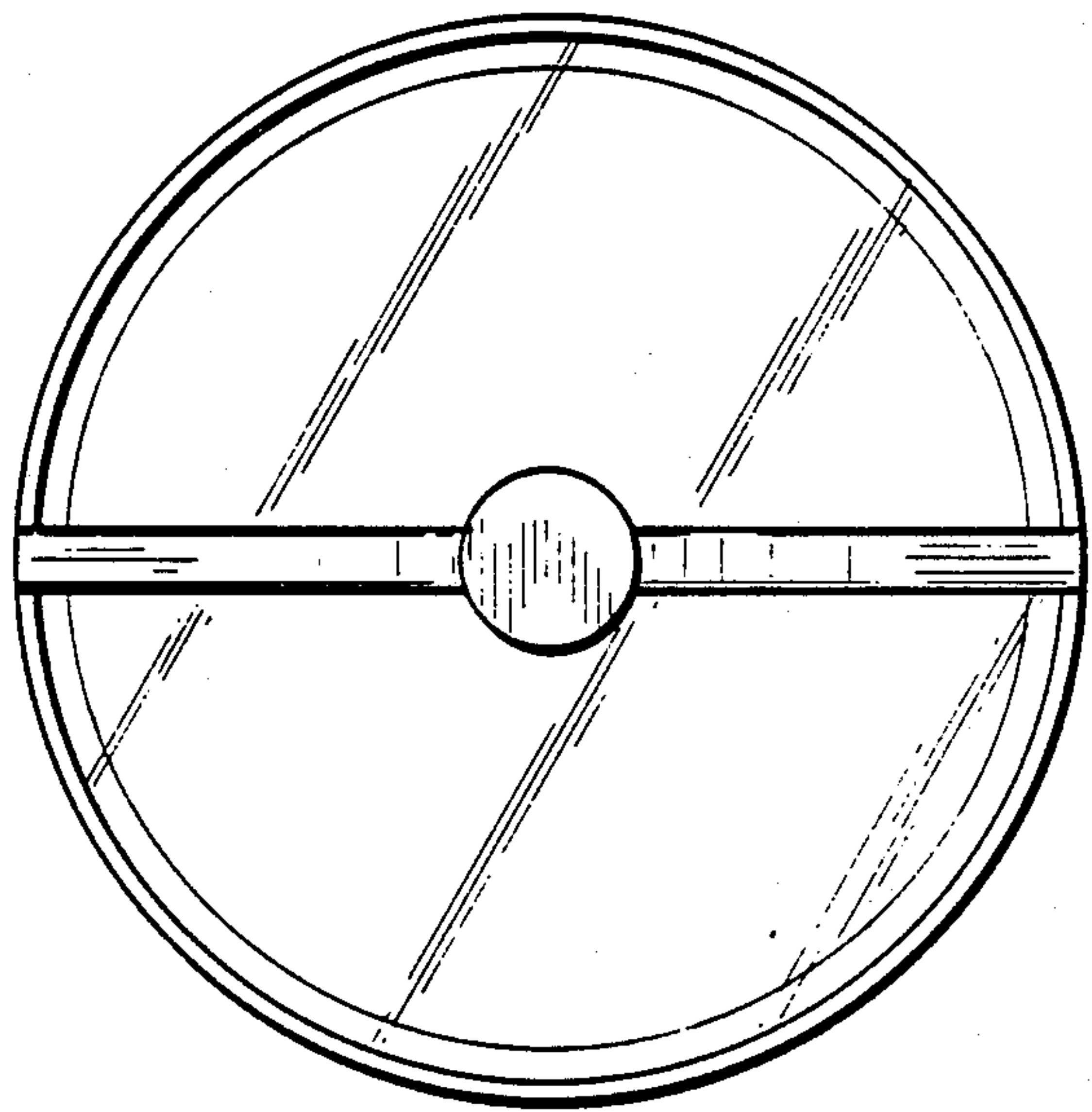


FIG. 3

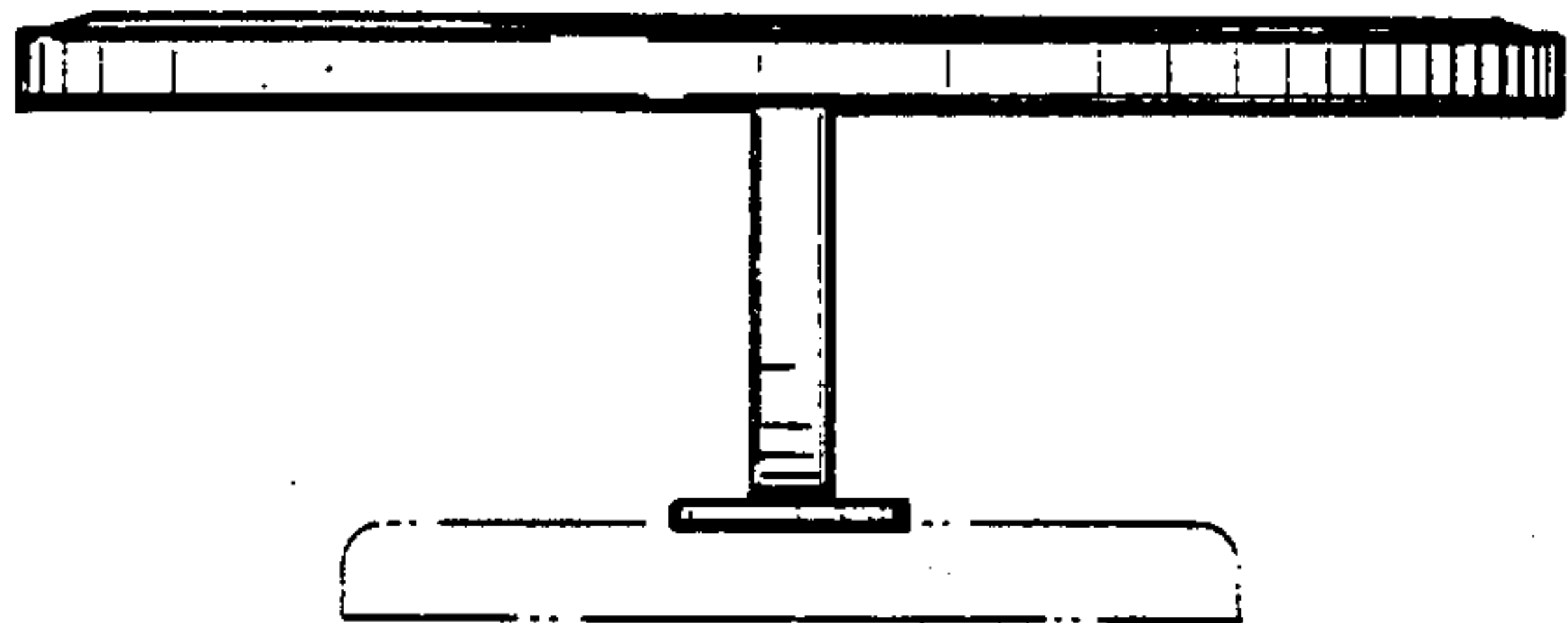


FIG. 4

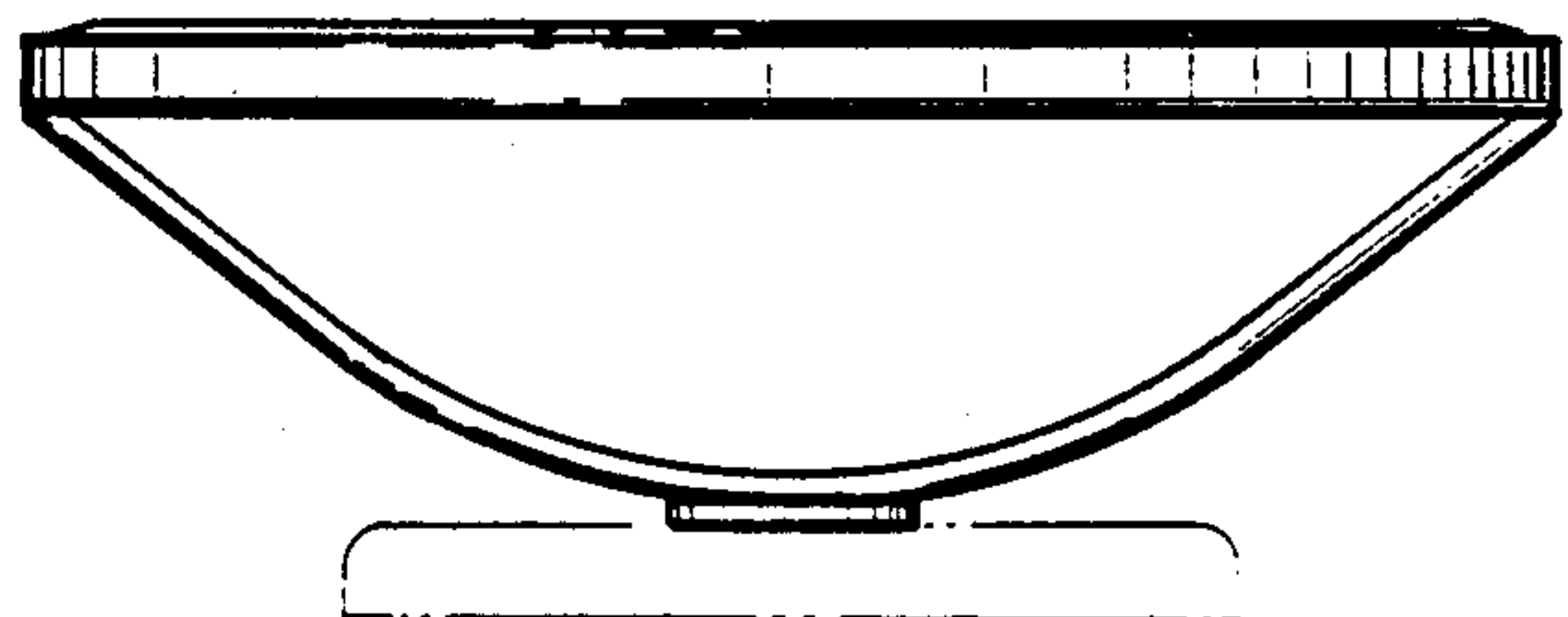


FIG. 5

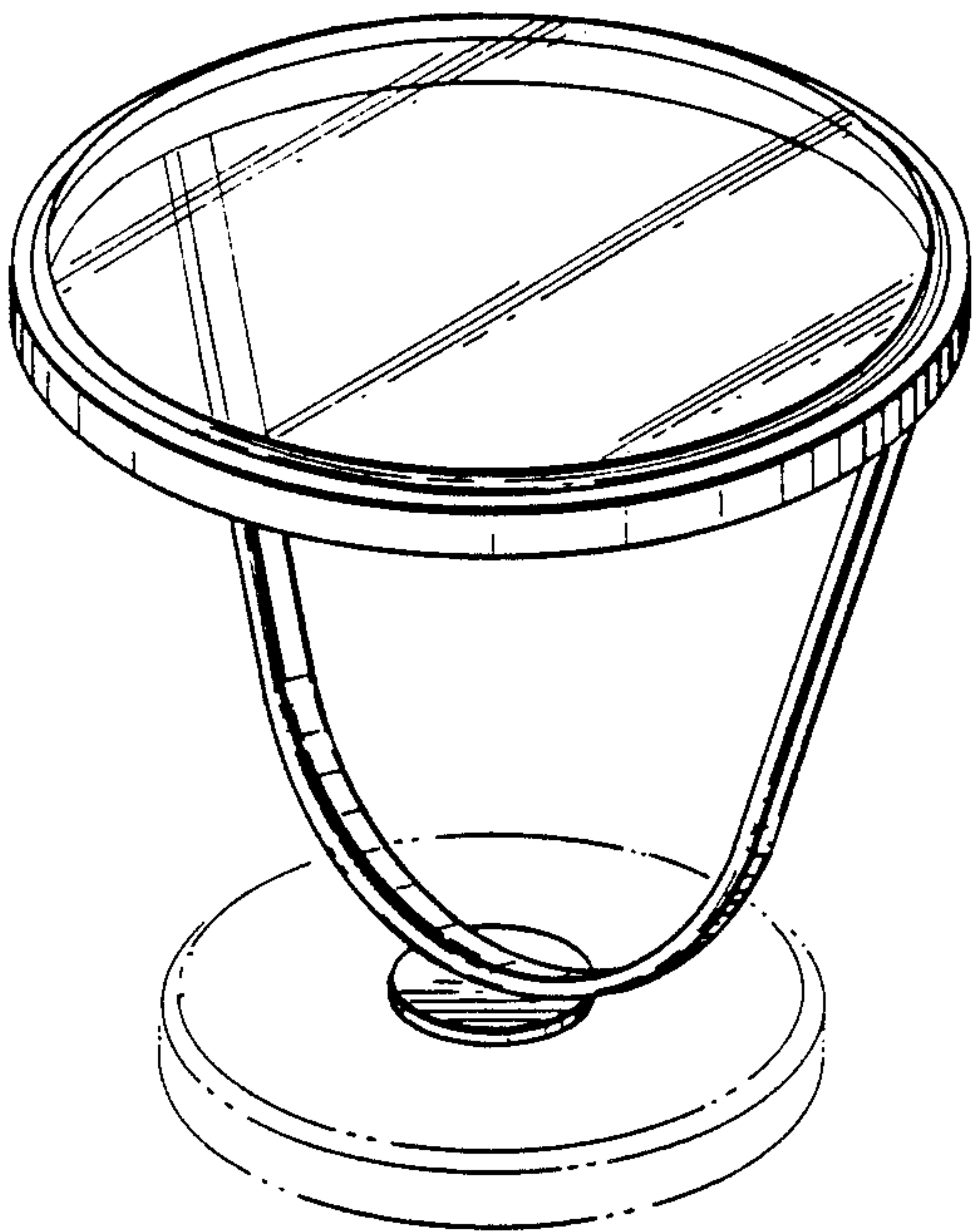


FIG. 6

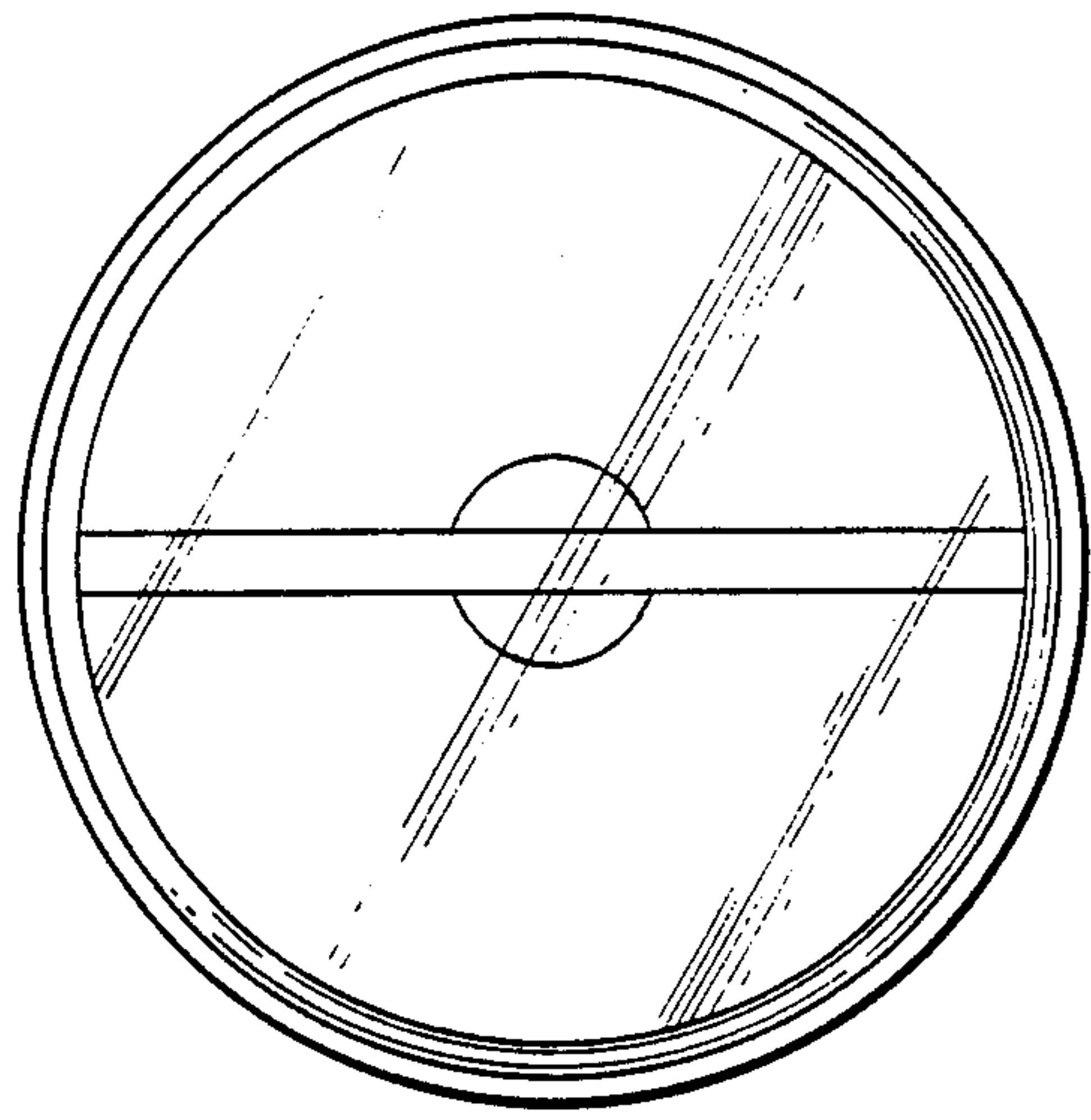


FIG. 7

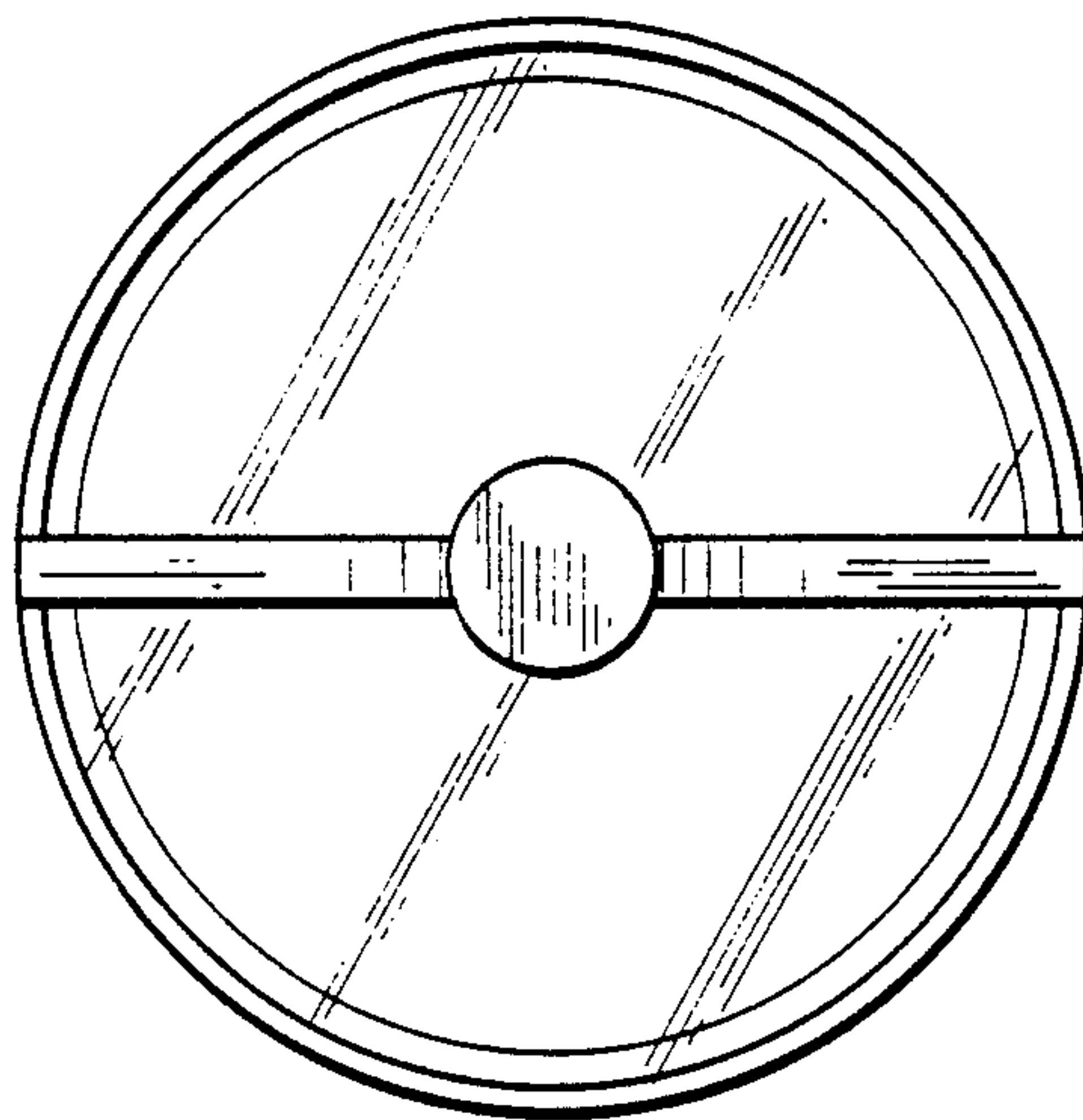


FIG. 8

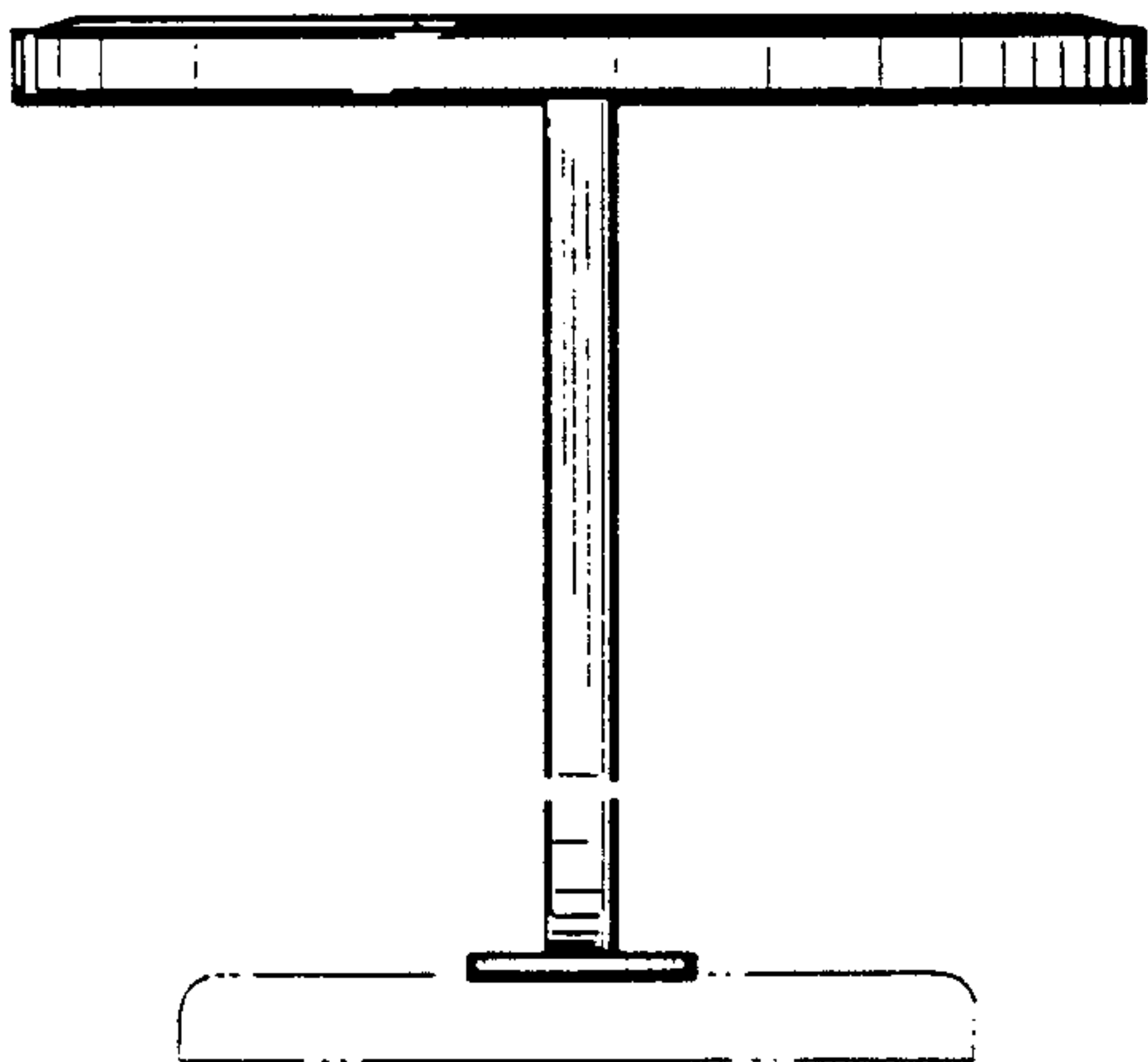


FIG. 9

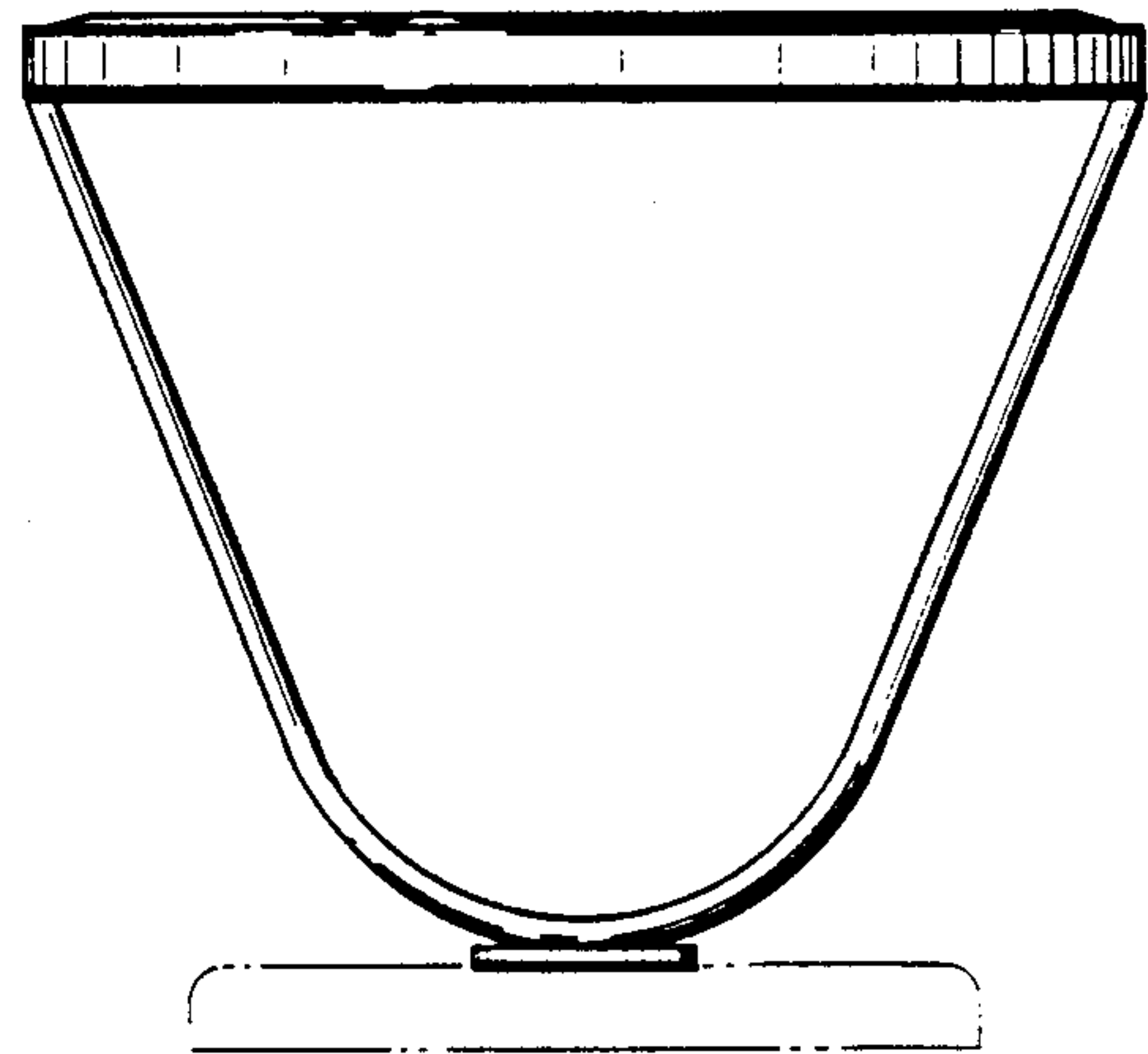


FIG. 10

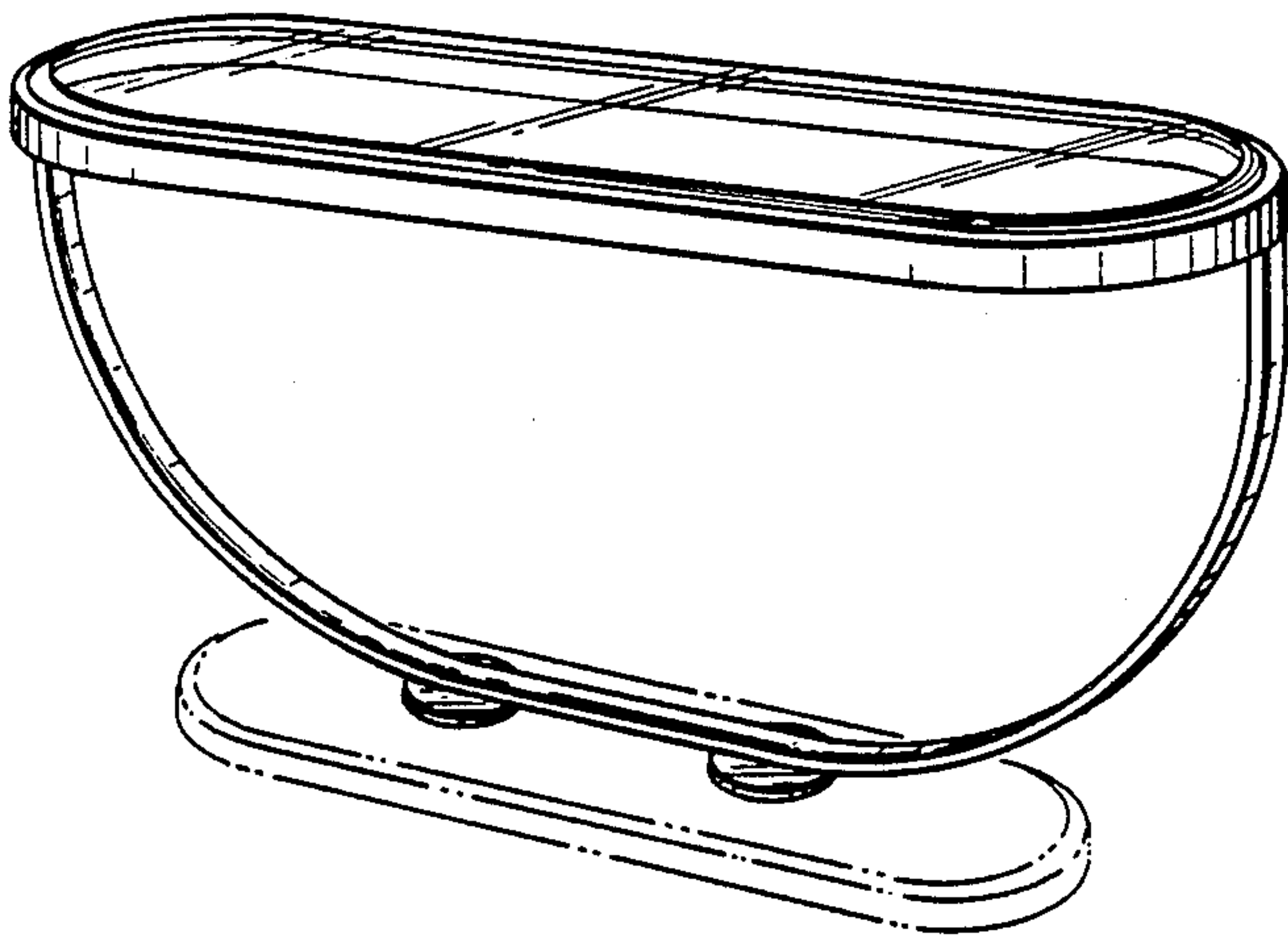


FIG. 11

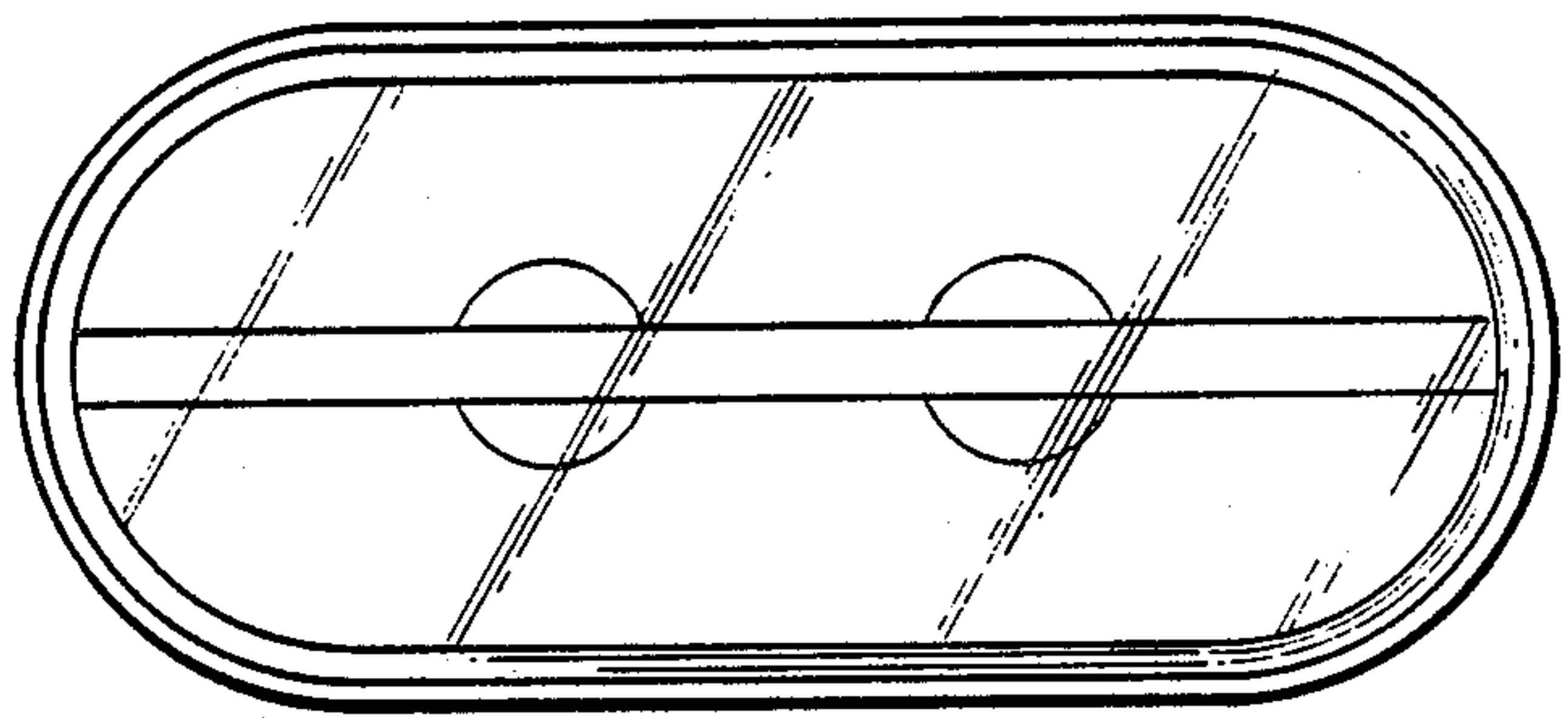


FIG. 12

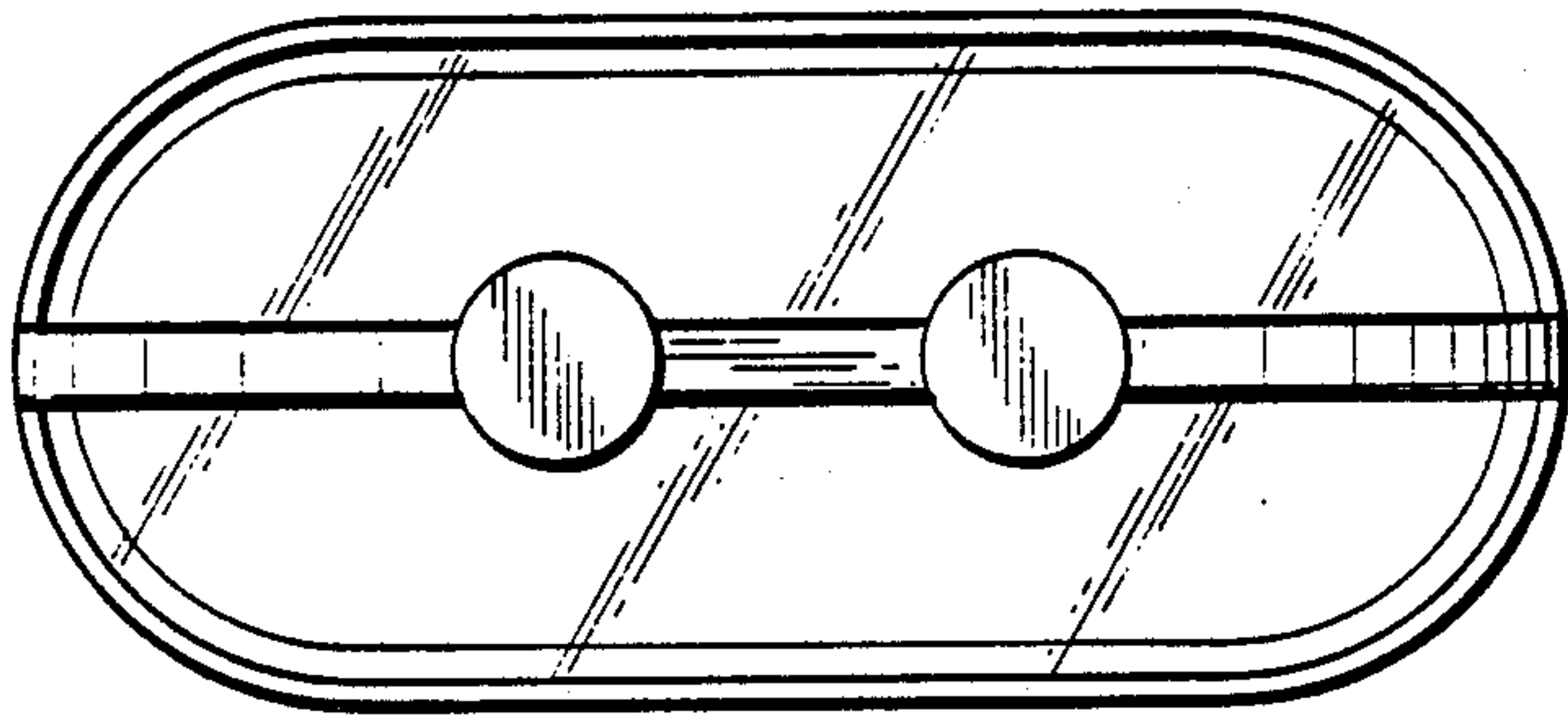


FIG. 13

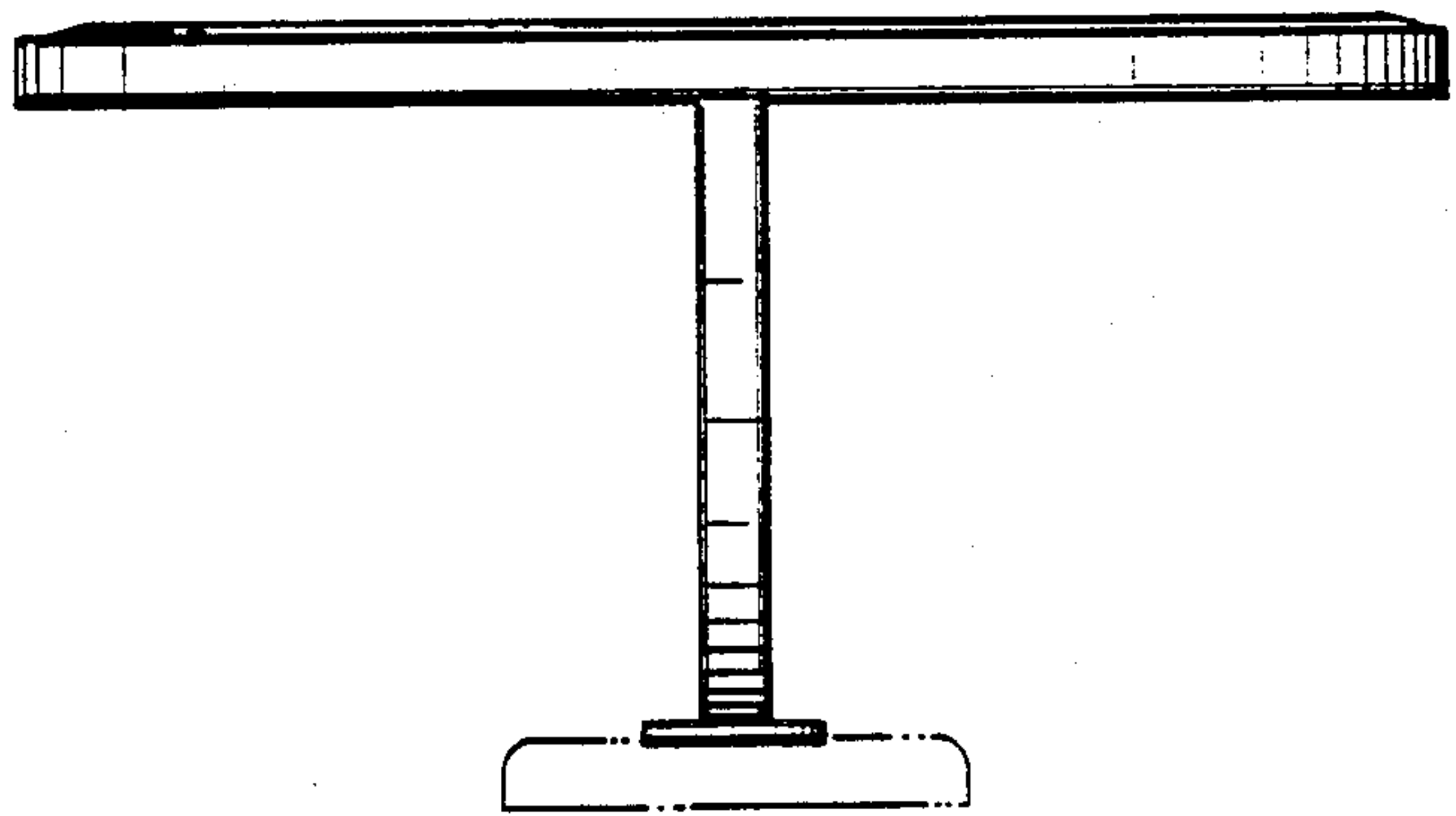


FIG. 14

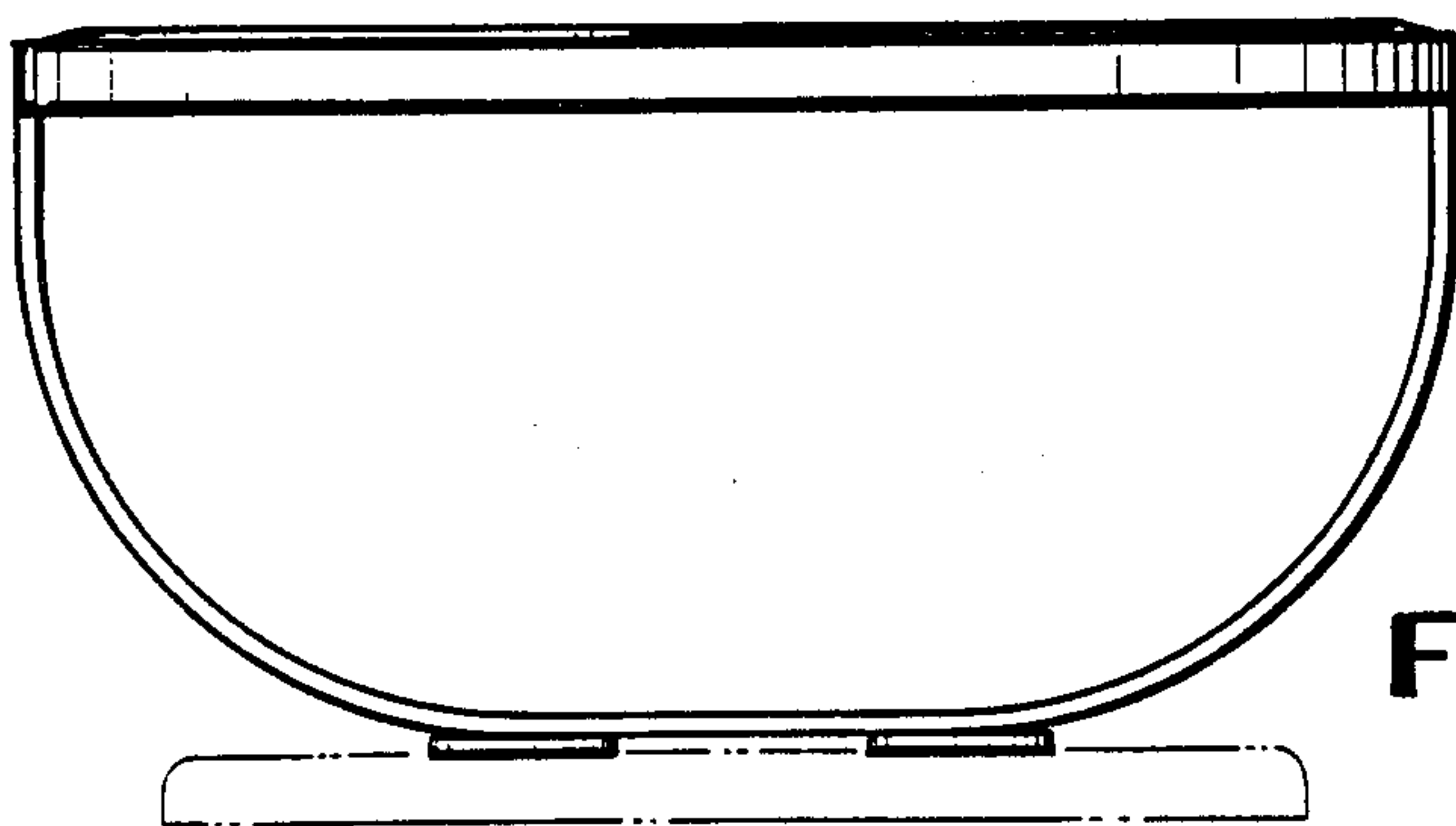


FIG. 15