

United States Patent [19]

Allen, Jr. et al.

[11] Patent Number: **Des. 296,162**

[45] Date of Patent: **** Jun. 14, 1988**

[54] STORAGE RACK FOR SOFTWARE DISCS

D. 252,334 7/1979 Small D19/90

[75] Inventors: **John C. Allen, Jr., Norwalk;**
Kimberly J. Allen, Darien, both of
Conn.

[73] Assignee: **Datasecure Systems, Inc., Norwalk,**
Conn.

[**] Term: **14 Years**

[21] Appl. No.: **735,458**

[22] Filed: **May 17, 1985**

[52] U.S. Cl. **D6/407; D6/474; D6/553;**
D19/90

[58] Field of Search **D6/468, 407, 474, 553;**
D19/75, 86, 90; 211/13, 40, 41, 42, 72

[56] **References Cited**

U.S. PATENT DOCUMENTS

D. 55,077	5/1920	Page	D6/474 X
D. 129,374	9/1941	Guild	D19/90
D. 202,315	9/1965	Tucker	D19/90
D. 250,960	1/1979	Bitner, Jr. et al.	D19/90

OTHER PUBLICATIONS

Office Appliances, 3/65, p. 68; item #796, top left on page.

Modern Office Accessories, p. 1; item #OA111, top right on page.

Primary Examiner—Carmen H. Vales

Attorney, Agent, or Firm—F. Eugene Davis, IV; Mark P. Stone

[57] CLAIM

The ornamental design for a storage rack for software discs, as shown.

DESCRIPTION

FIG. 1 is a perspective view of a storage rack for software discs showing our new design;

FIG. 2 is a rear elevational view thereof;

FIG. 3 is a bottom plan view thereof;

FIG. 4 is a left side elevational view thereof;

FIG. 5 is a right side elevational view thereof;

FIG. 6 is a front elevational view thereof; and

FIG. 7 is a top plan view thereof.

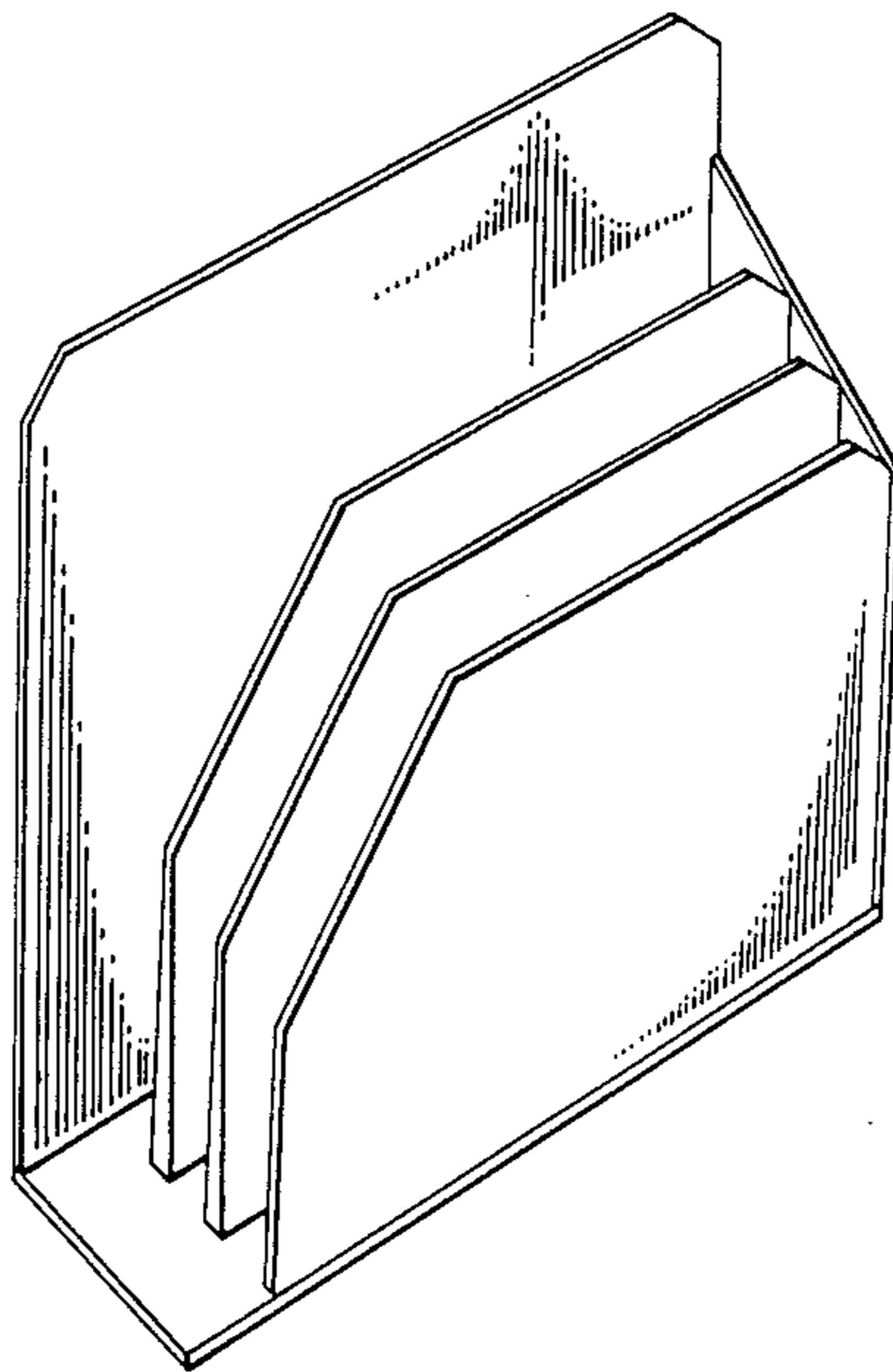


FIG. 1

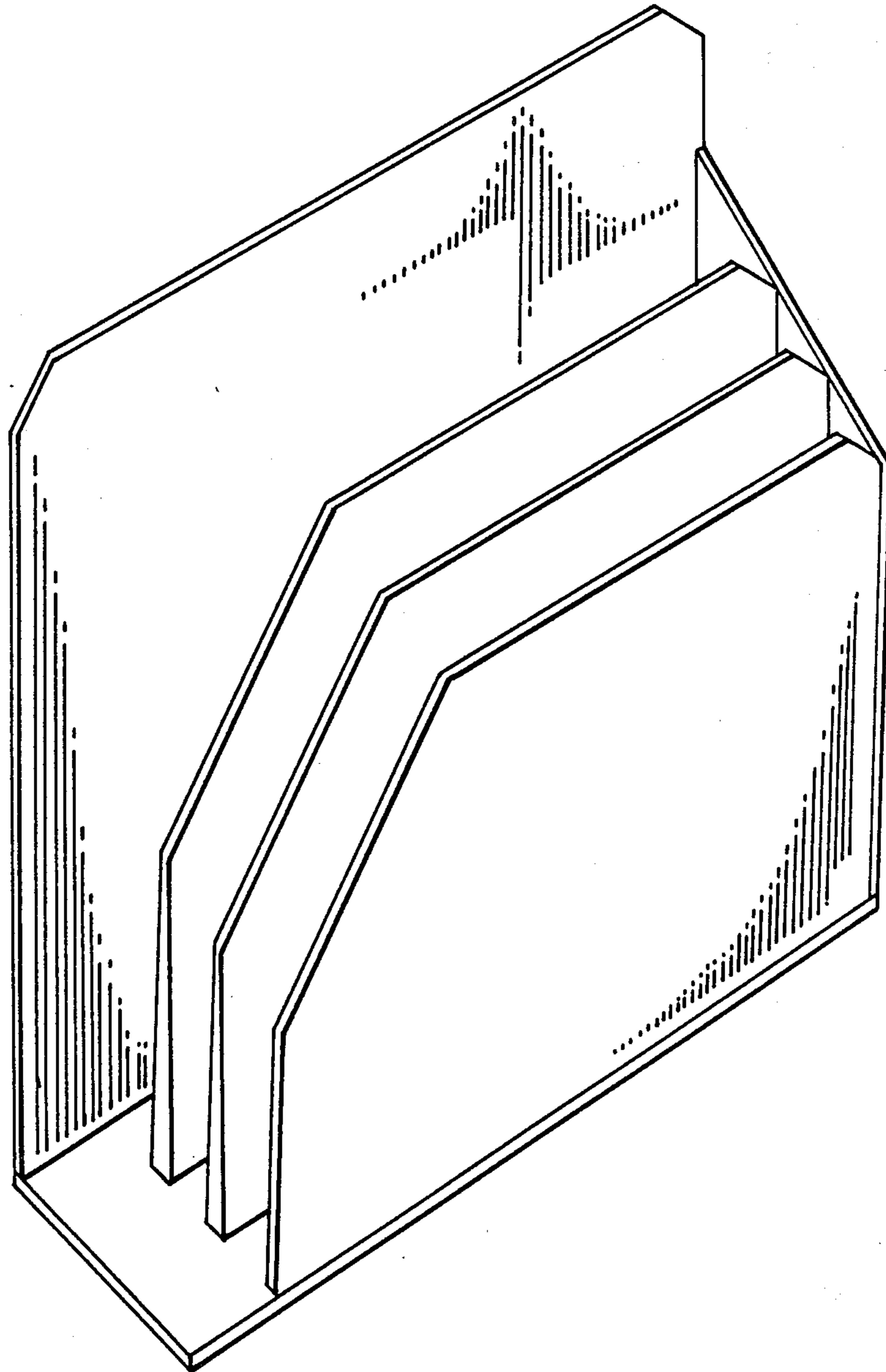


FIG. 2

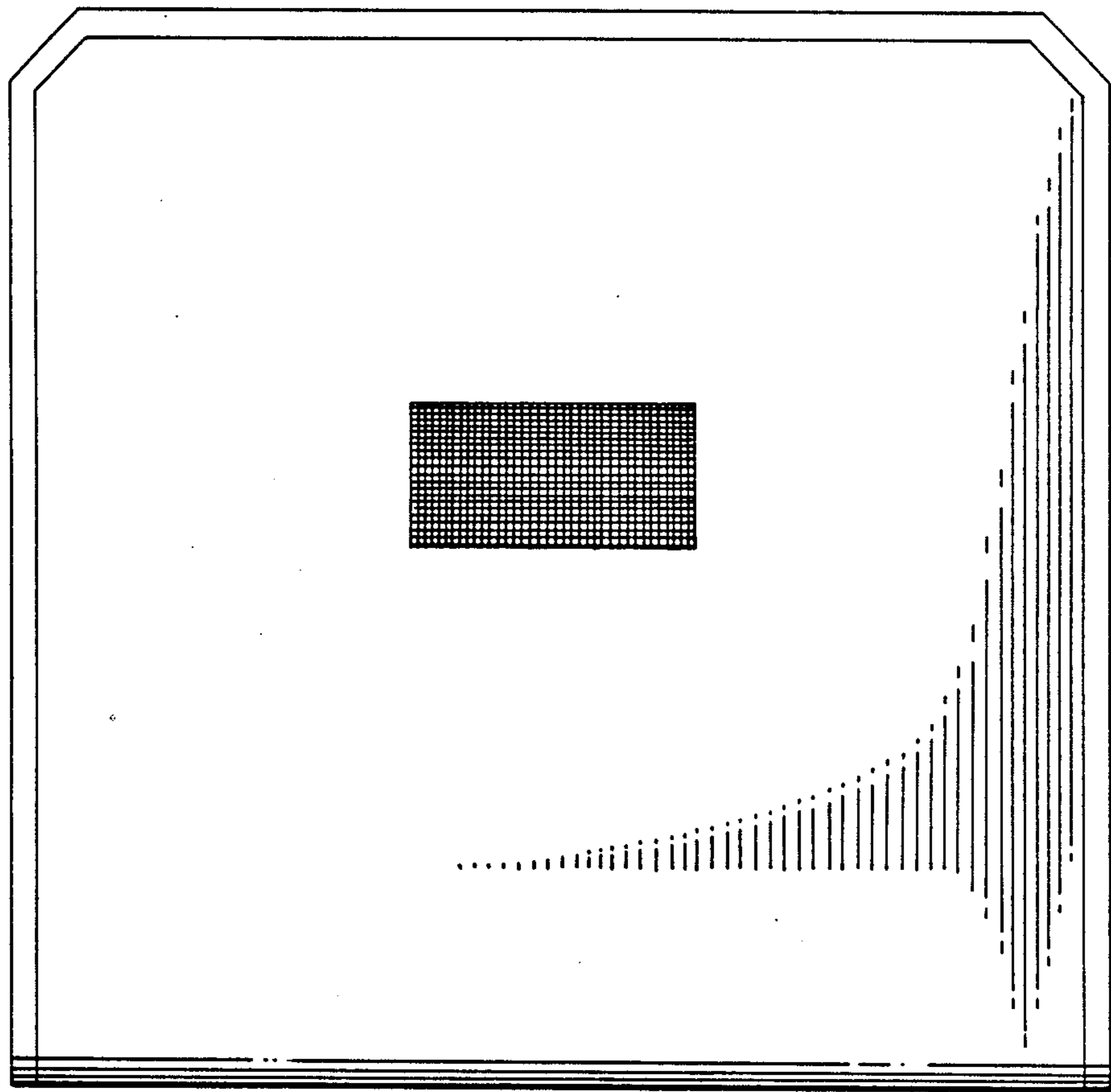


FIG. 3

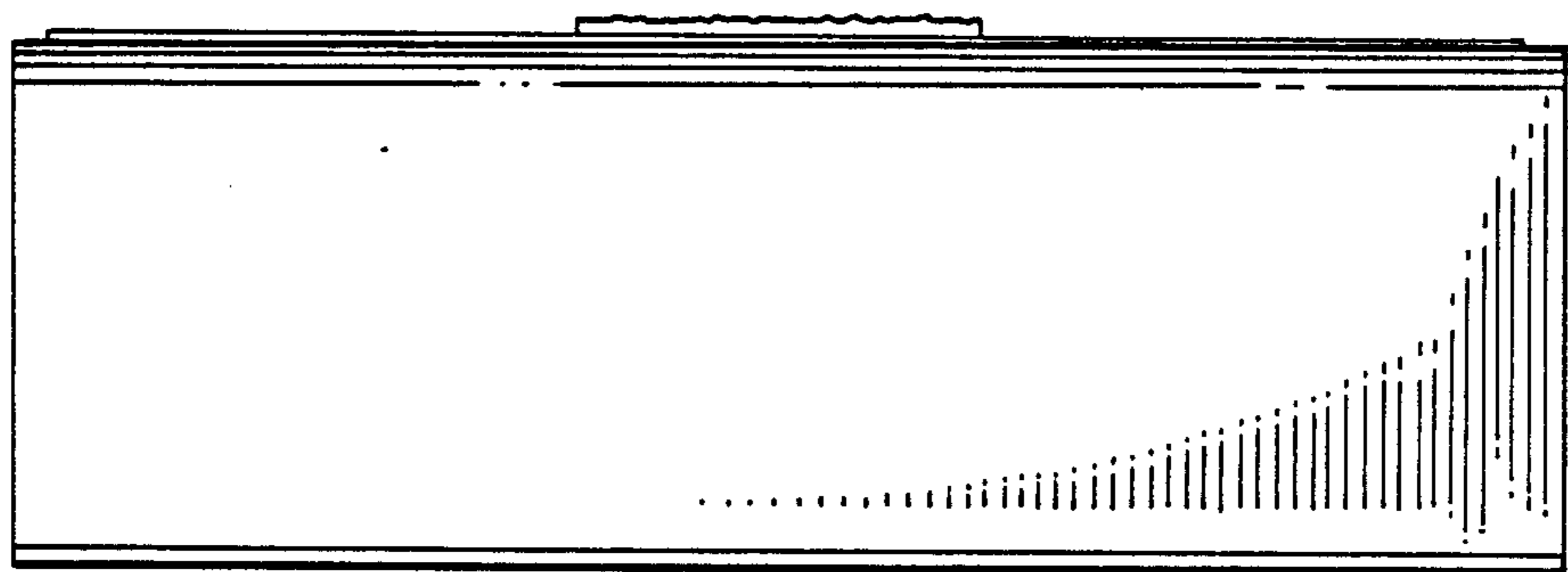


FIG. 4

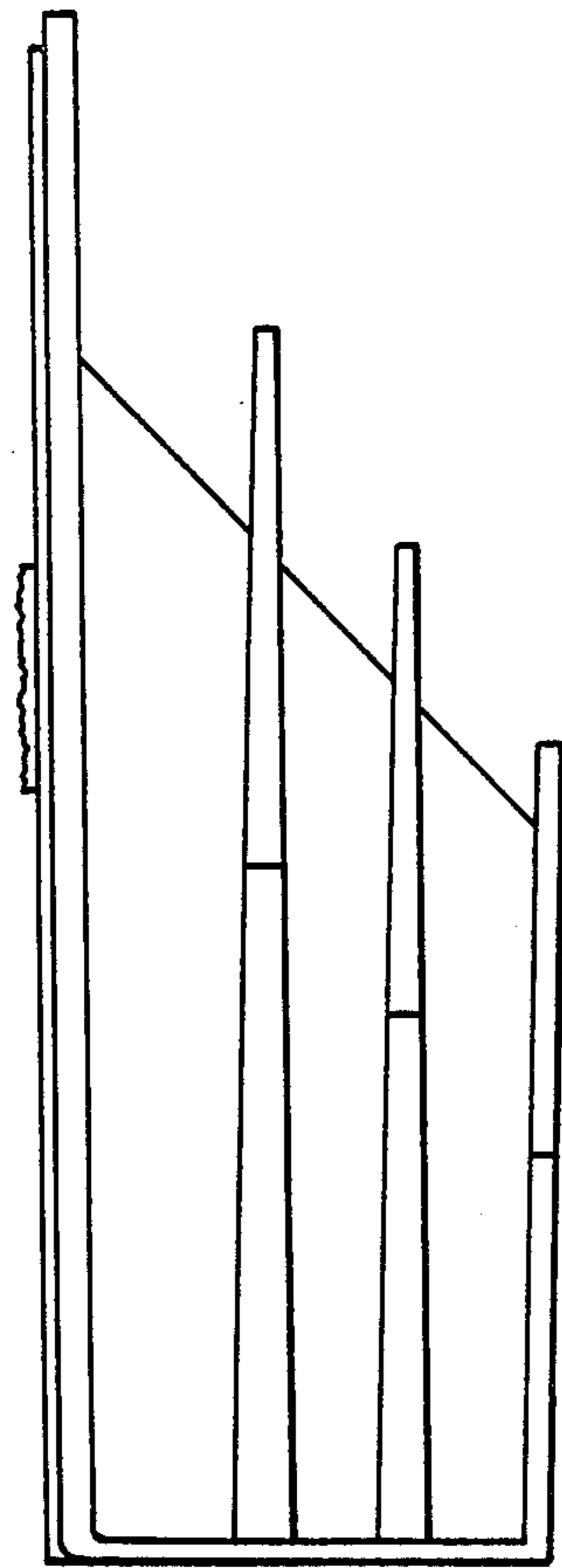


FIG. 5

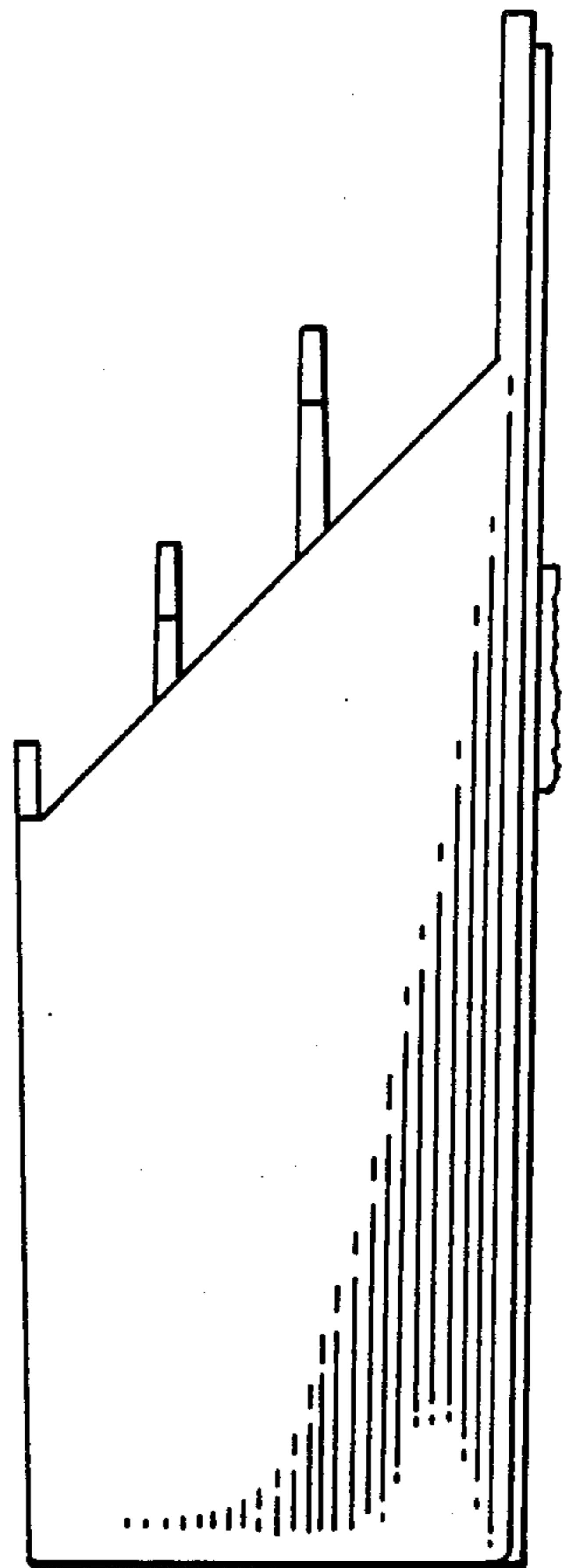


FIG. 6

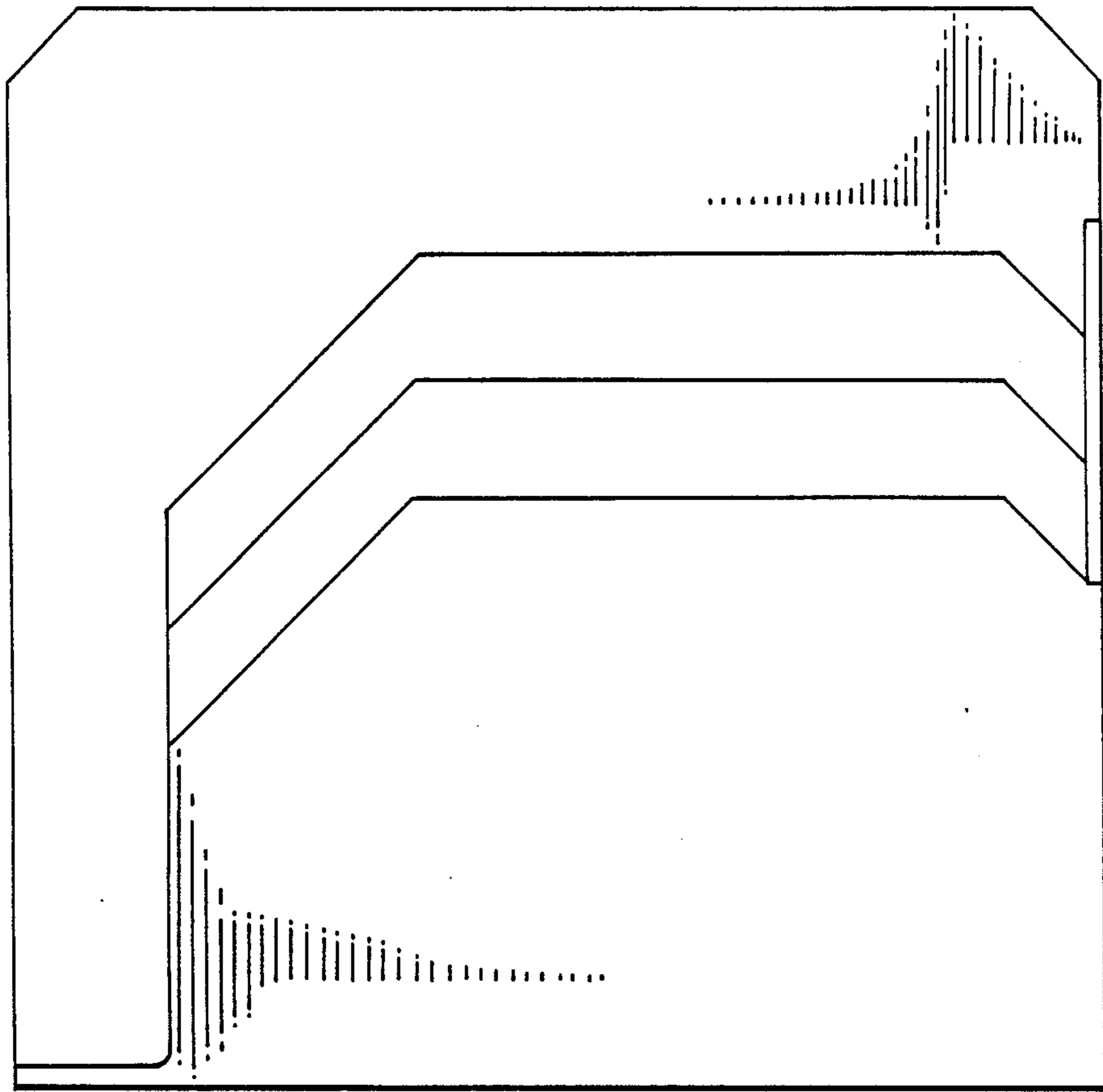


FIG. 7

