

[54] COMMERCIAL ART EASEL

[57] CLAIM

[76] Inventor: Andrew Rhodes, 51 Watson Ave., Ossining, N.Y. 10562

The ornamental design for a commercial art easel, as shown and described.

[**] Term: 14 Years

DESCRIPTION

[21] Appl. No.: 764,570

FIG. 1 is a front elevational view of a commercial art easel showing my new design;

[22] Filed: Aug. 12, 1985

FIG. 2 is a side elevational view thereof;

[52] U.S. Cl. D6/300

FIG. 3 is a rear elevational view thereof;

[58] Field of Search D6/300, 310; 248/448,

FIG. 4 is a top plan view thereof;

248/449, 460, 463

FIG. 5 is a bottom plan view thereof;

FIG. 6 is an enlarged side elevation in carrying condition with telescoped upper view thereof;

[56] References Cited

U.S. PATENT DOCUMENTS

D. 252,549	8/1979	Lee	D6/300 X
2,912,203	11/1959	Townsend	248/448
4,042,203	8/1977	Warkentin	248/449

FIG. 7 is a front elevational view of a second embodiment of that shown in FIG. 1;

FIG. 8 is a side elevational view of that shown in FIG. 7;

FIG. 9 is a side elevational view of that shown in FIG. 7;

FIG. 10 is a top plan view of that shown in FIG. 7; and

FIG. 11 is a bottom plan view of that shown in FIG. 7;

FIG. 12 is a front right perspective view of the embodiment shown in FIG. 1 thereof;

FIG. 13 is a front right perspective view of the embodiment shown in FIG. 7.

Primary Examiner—Bernard Ansher
Assistant Examiner—Terry Pfeffer
Attorney, Agent, or Firm—Howard C. Miskin

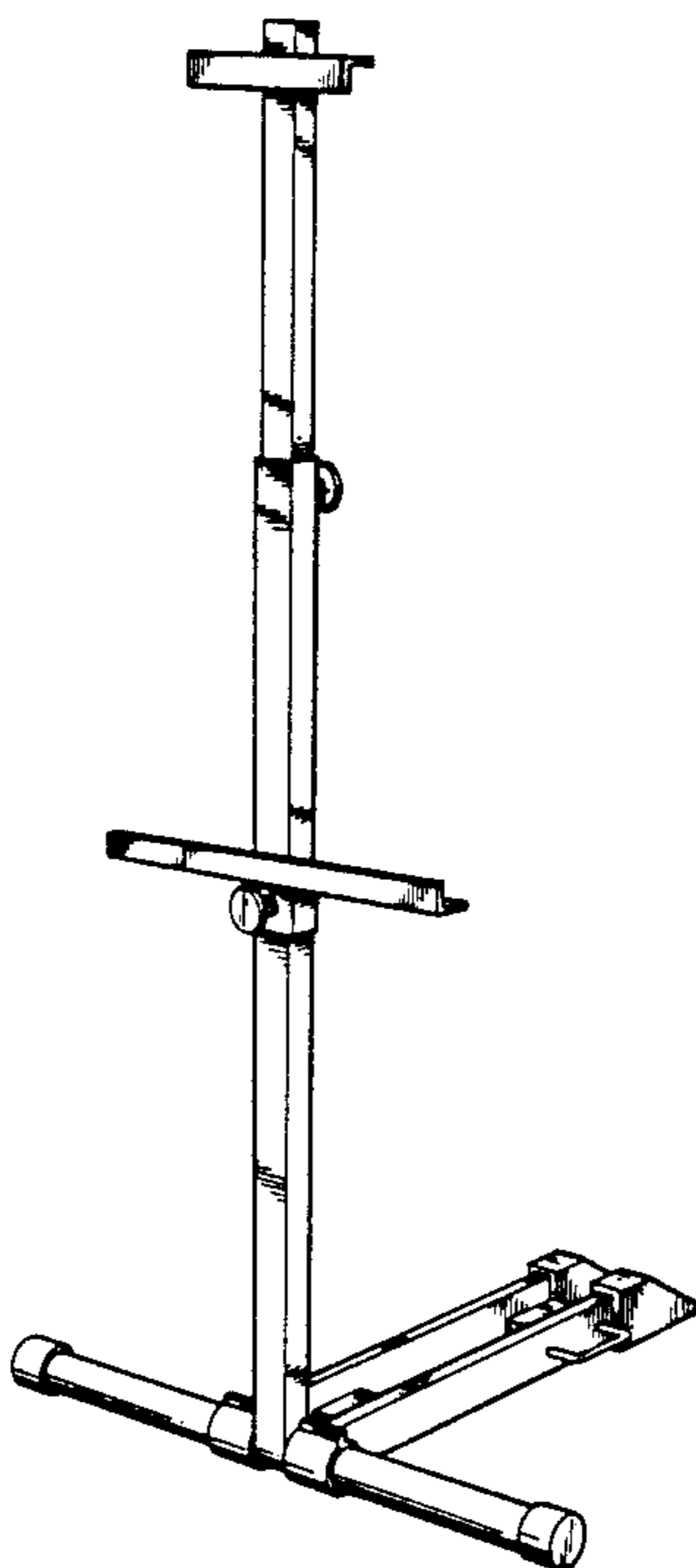
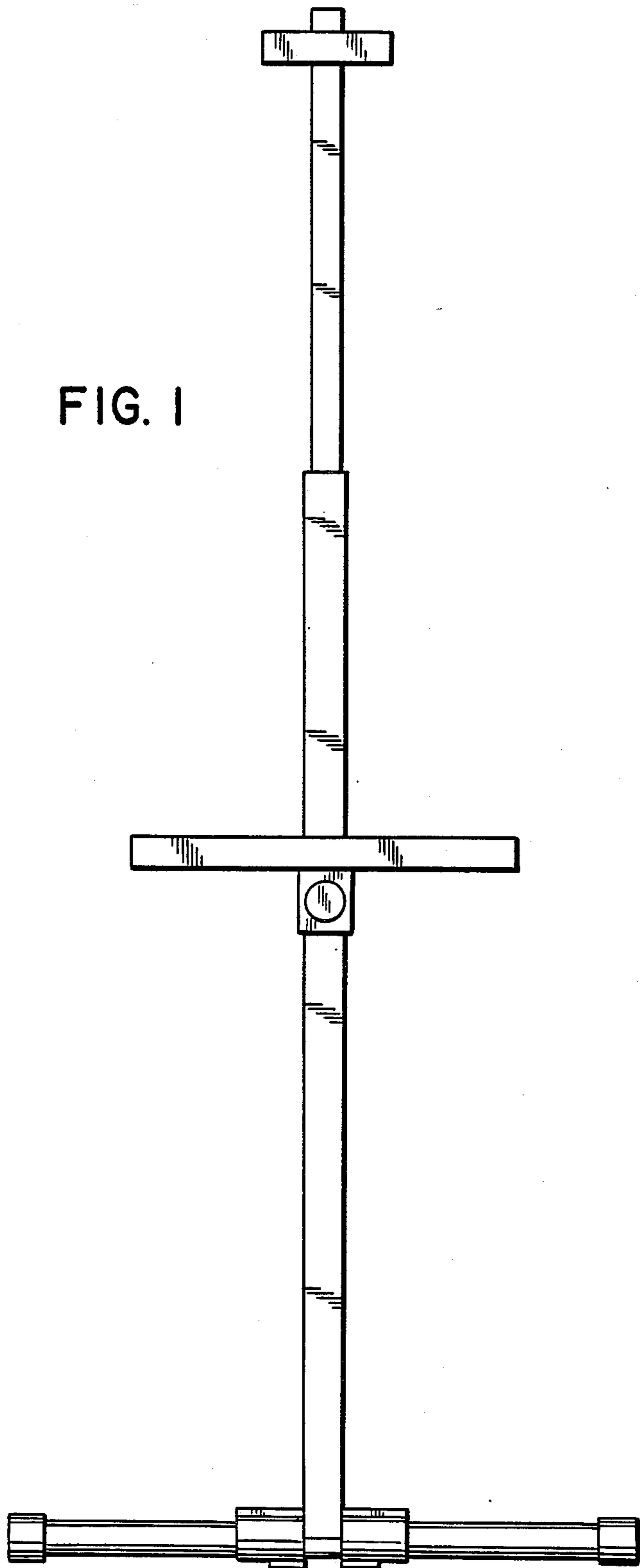


FIG. 1



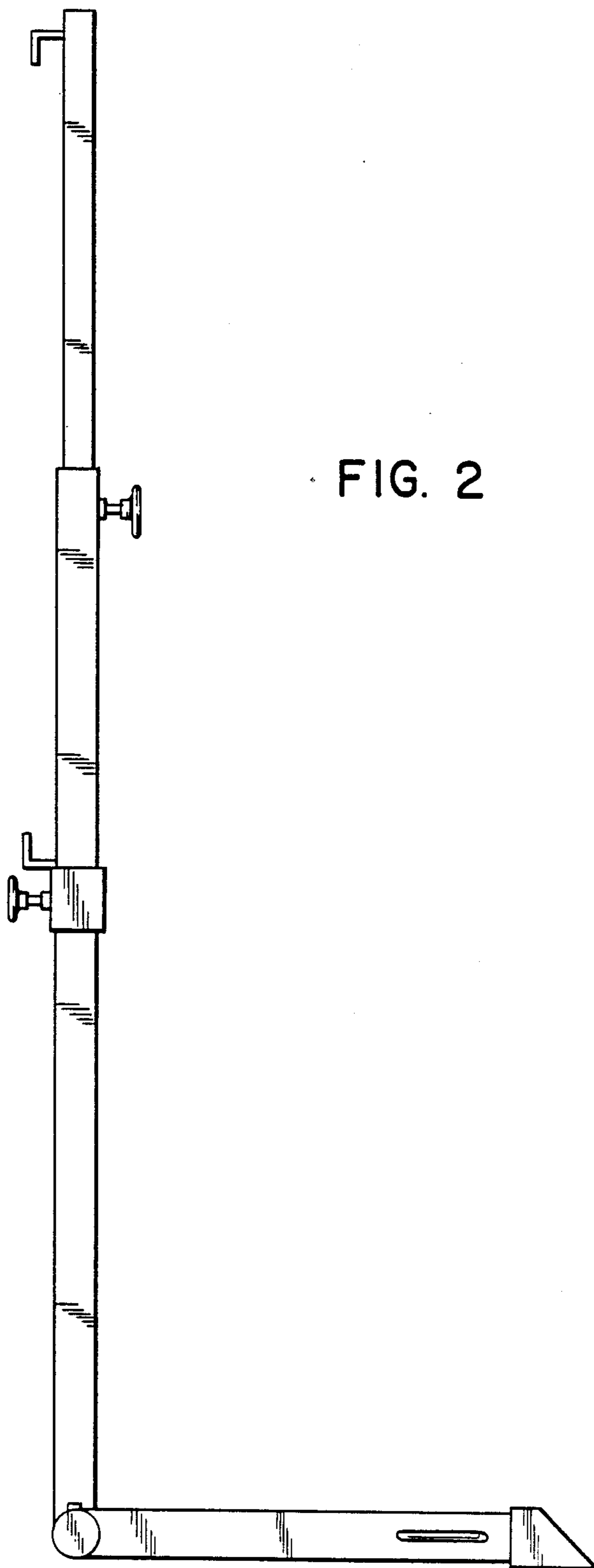


FIG. 2

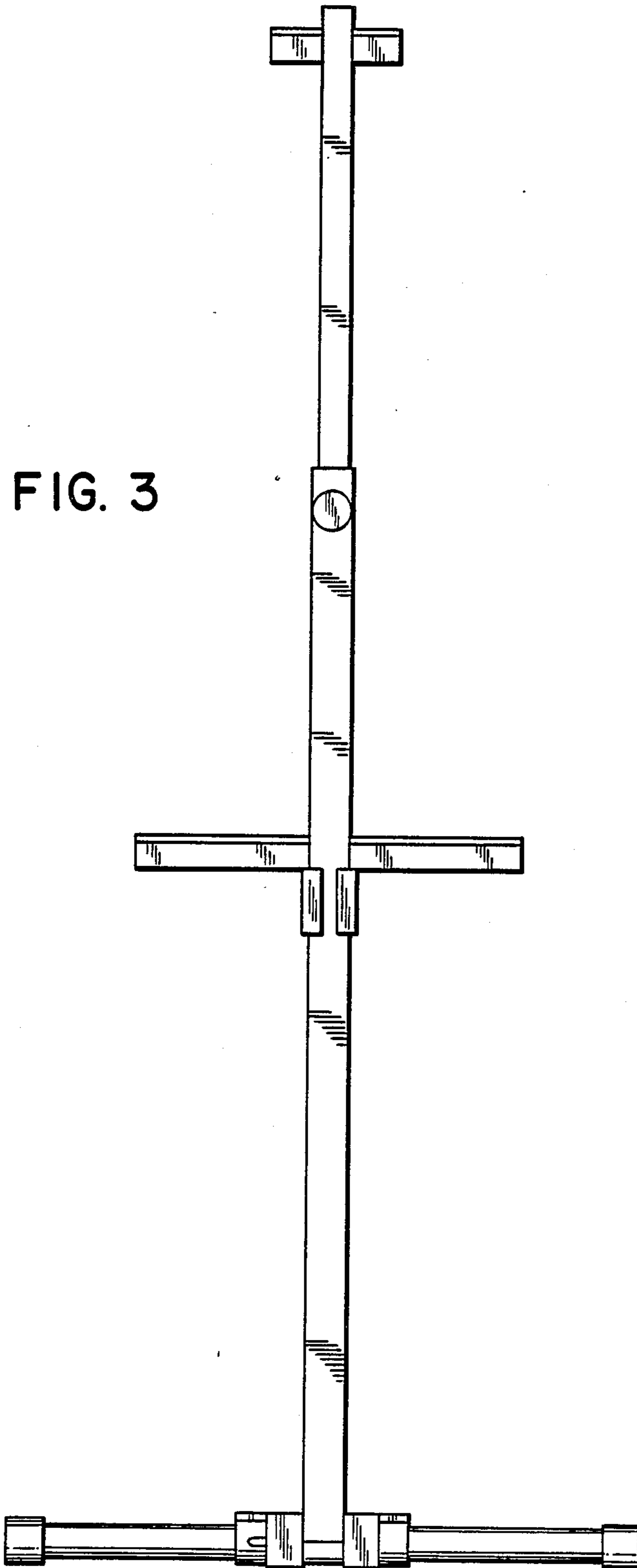


FIG. 3

FIG. 4

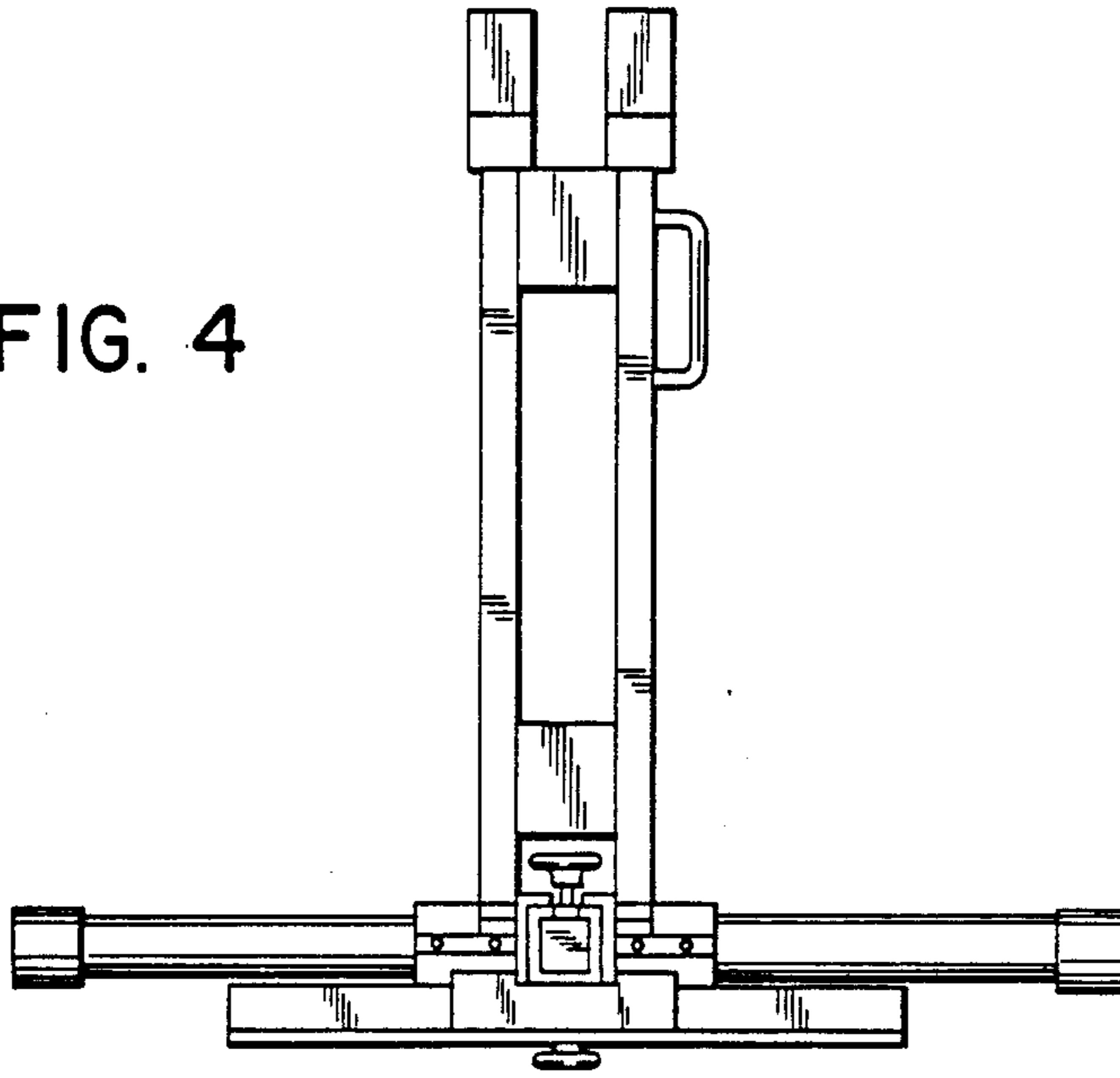
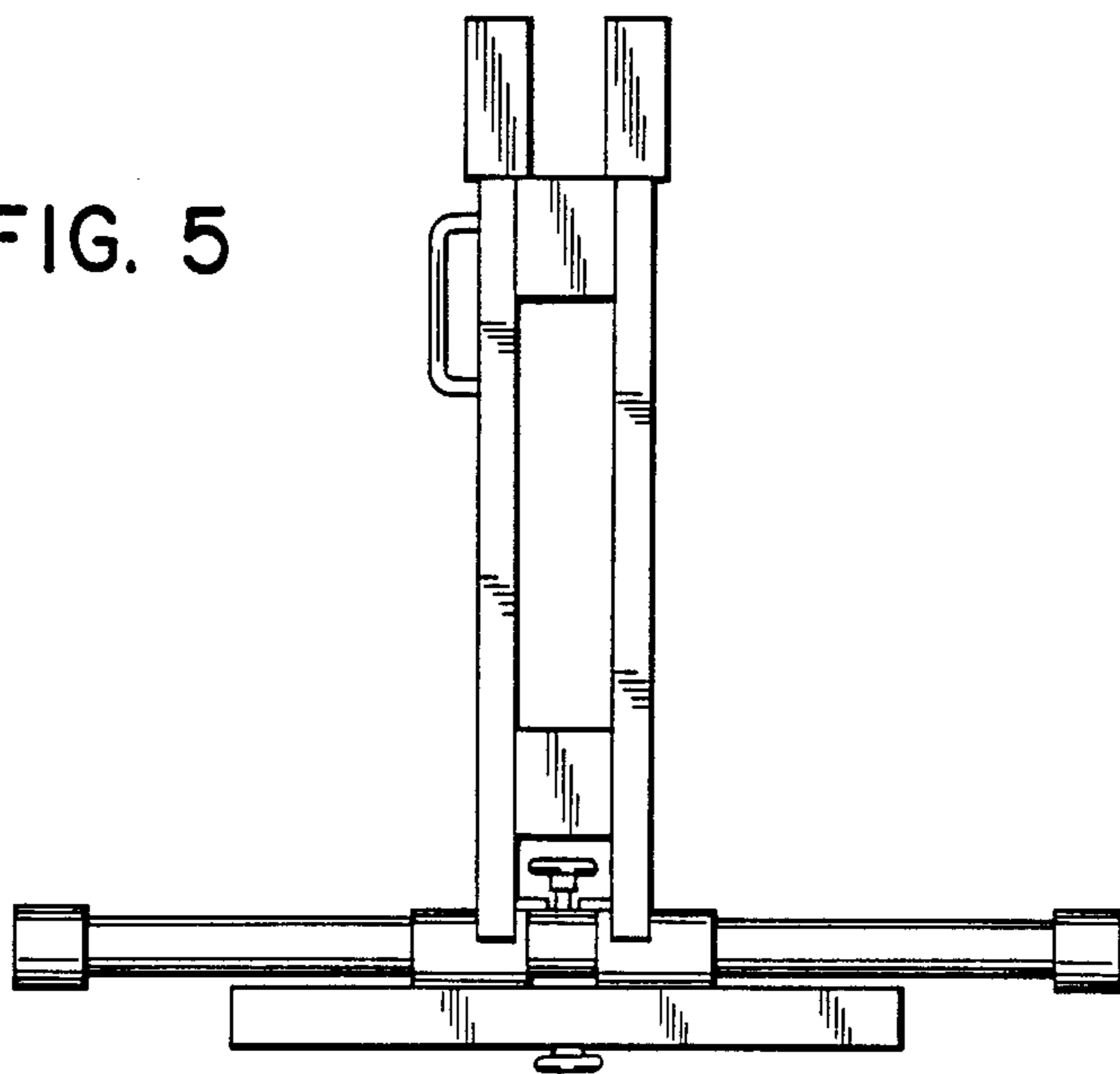


FIG. 5



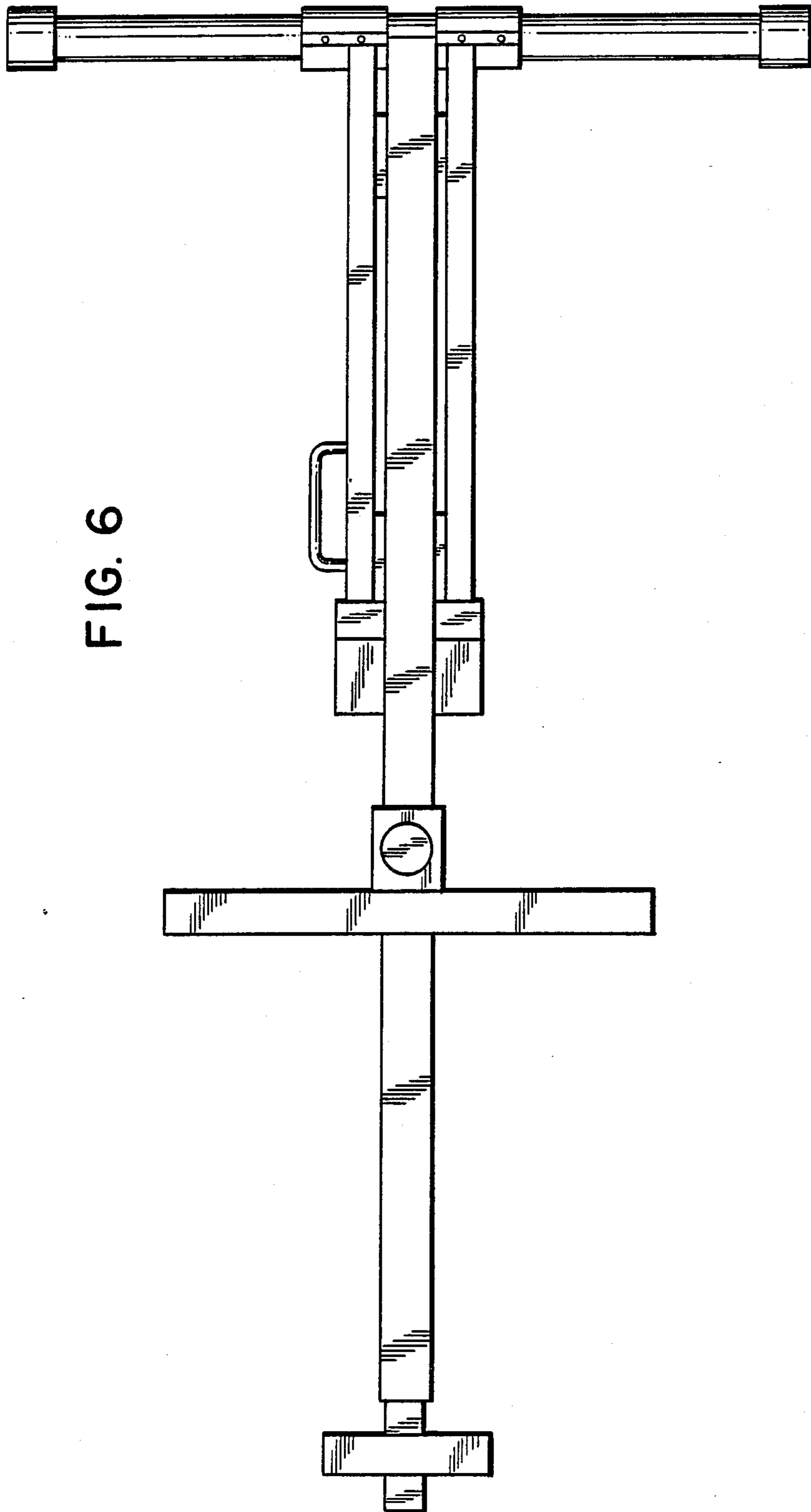


FIG. 6

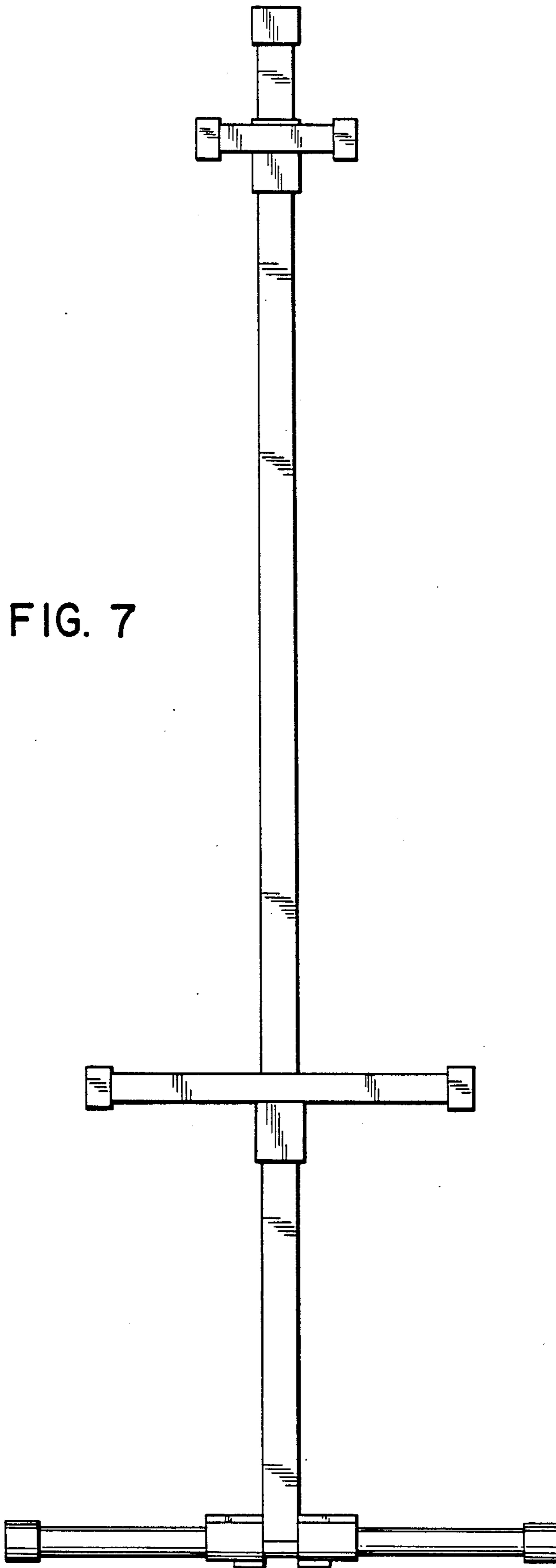


FIG. 7

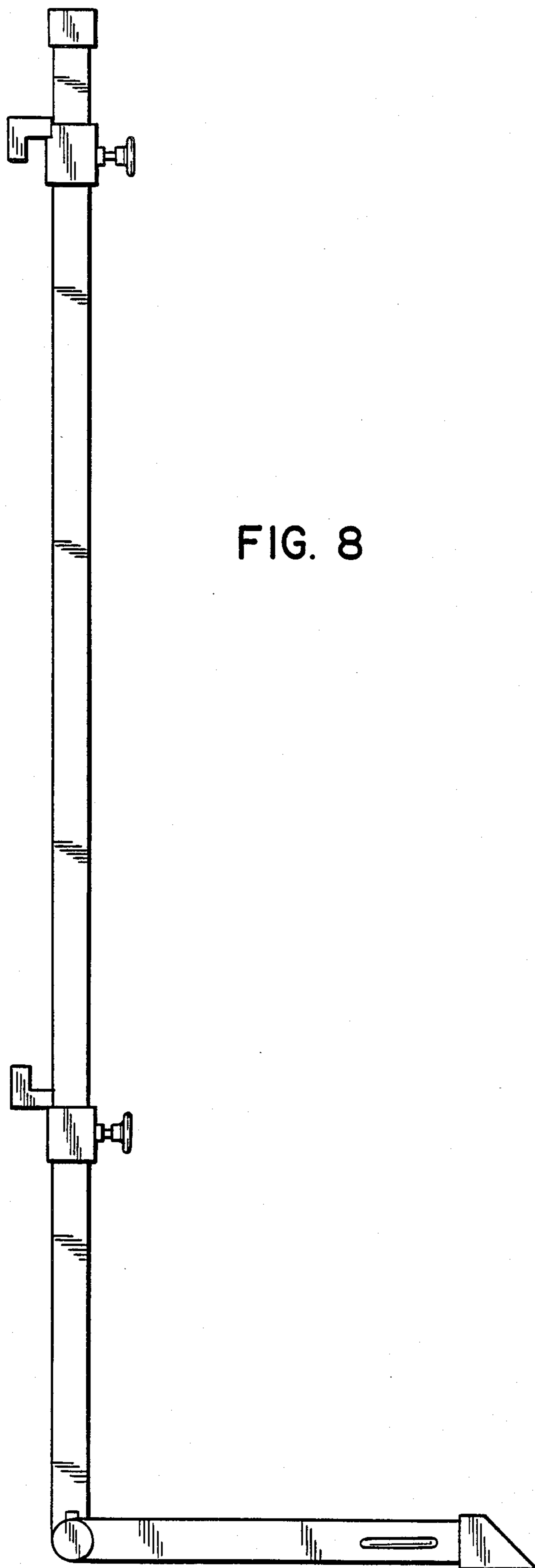


FIG. 8

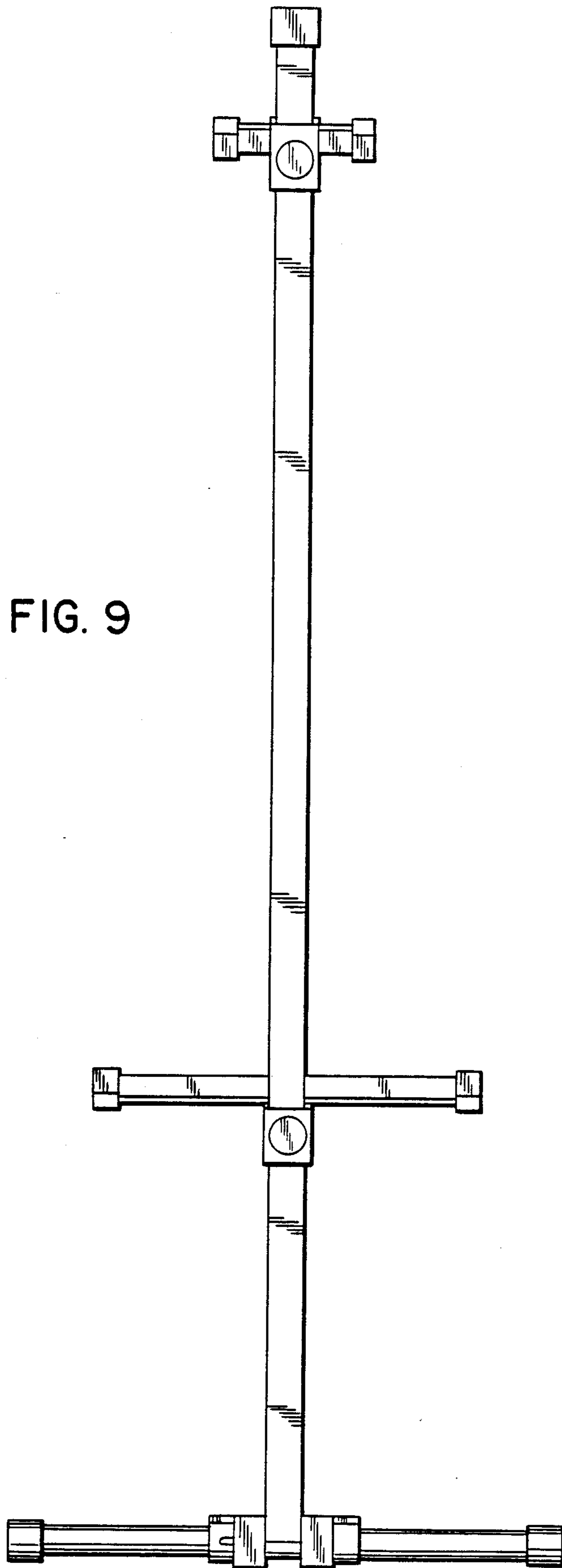


FIG. 9

FIG. 10

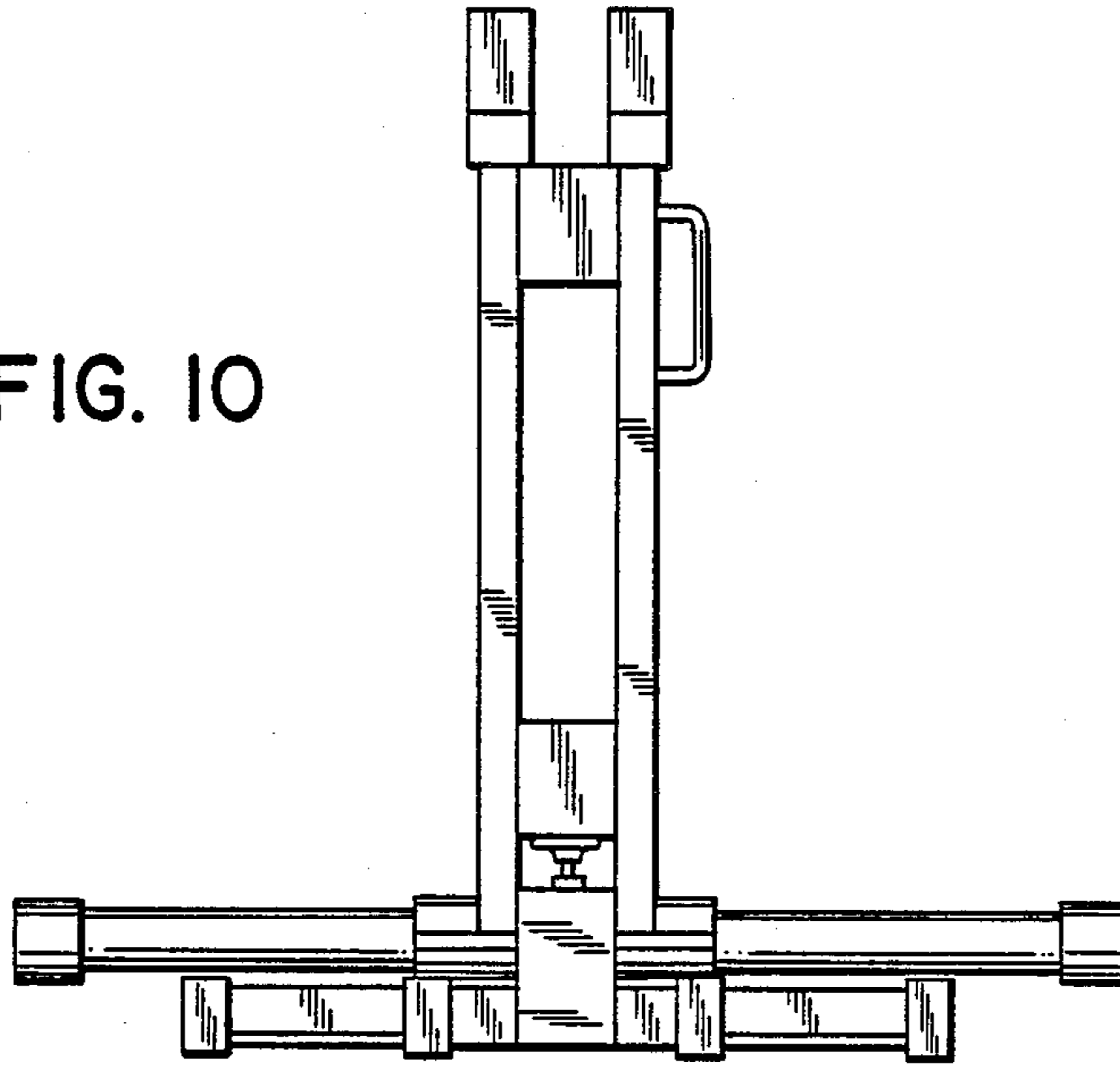
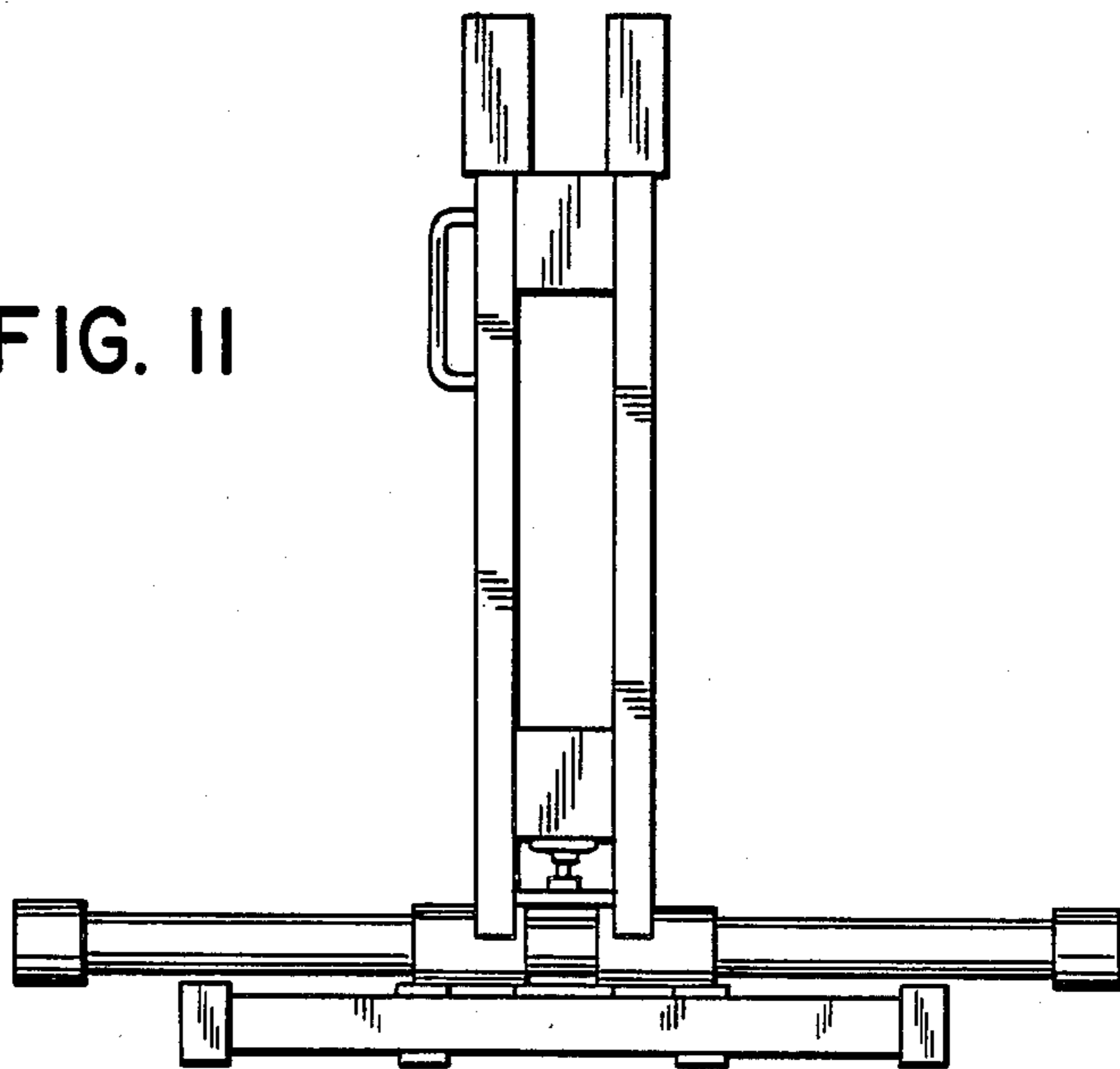


FIG. 11



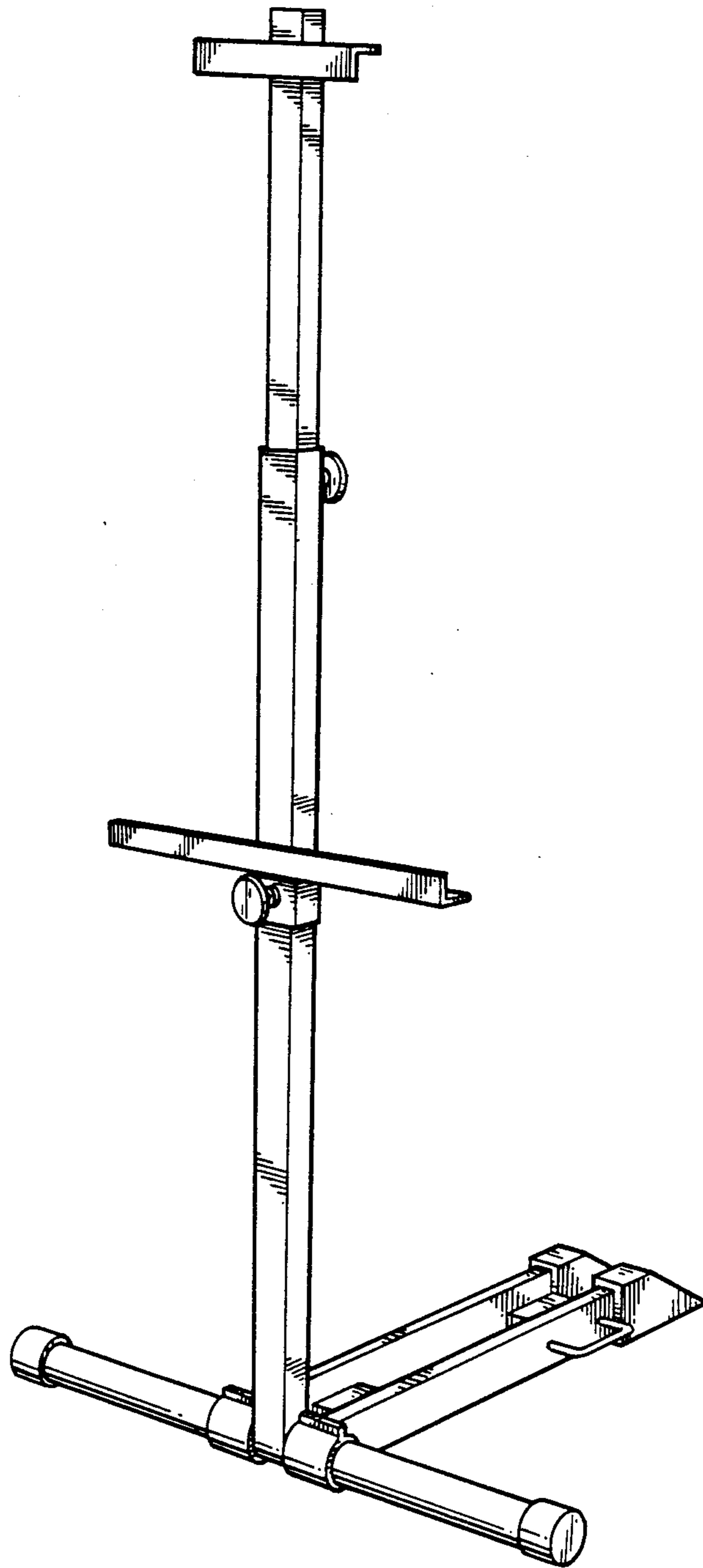


FIG. 12

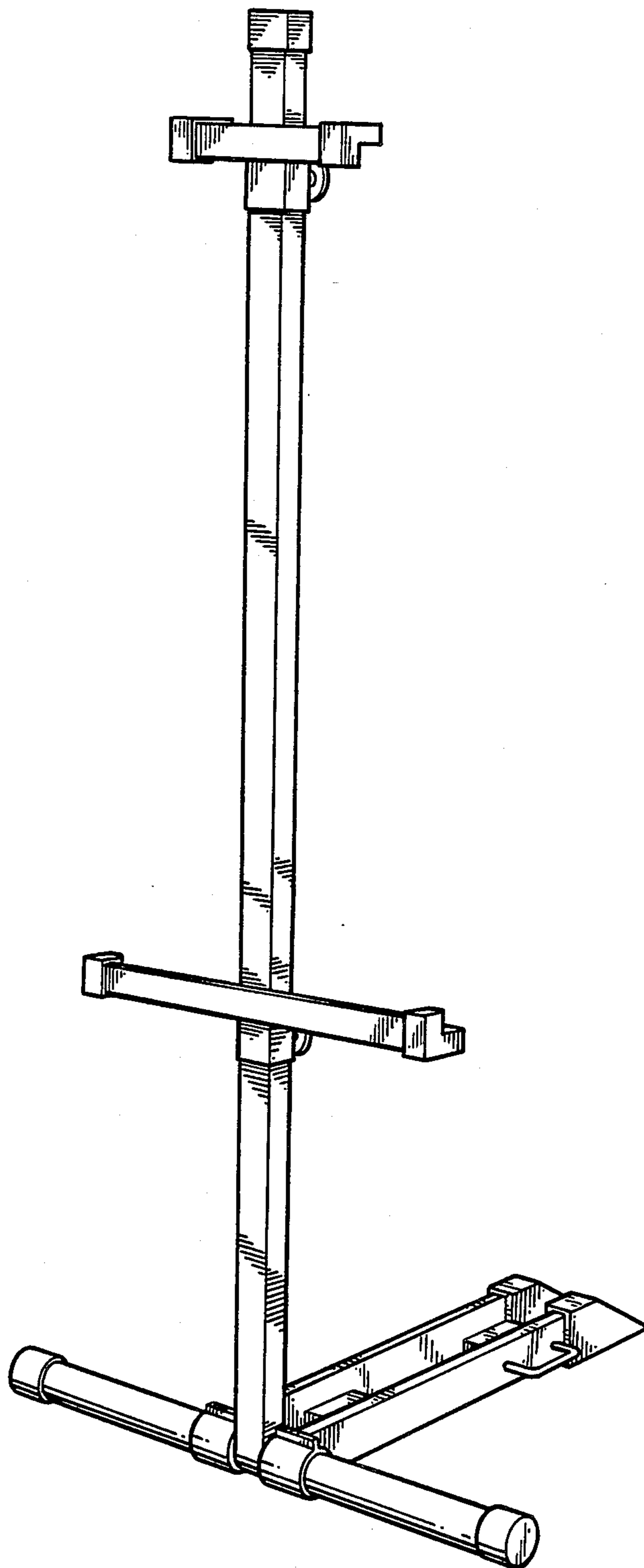


FIG. 13