

[54] MAGNETIC DISKETTE FILE

[76] Inventor: Robert A. Egly, 21 Belcourt South, Newport Beach, Calif. 92660

[**] Term: 14 Years

[21] Appl. No.: 766,562

[22] Filed: Aug. 19, 1985

[52] U.S. Cl. D3/35; D3/74; D6/407; D6/471

[58] Field of Search D3/30.1, 35, 74; D6/407, 470, 471; D19/76; 206/444, 307, 45.13, 309, 387, 389, 425, 472, 45.18; 312/8-13, 284; D9/341, 418, 424; 211/40, 41, 50

[56] References Cited

U.S. PATENT DOCUMENTS

- D. 230,779 3/1974 Kryter D3/74 X
- D. 268,379 3/1983 Pishell D3/74 X

- D. 283,948 5/1986 Clouser et al. D3/35
- D. 285,213 8/1986 Roskvist D3/35 X
- D. 285,216 8/1986 Roskvist D19/76
- D. 287,425 12/1986 Kirchner D3/35
- 4,117,931 10/1978 Berkman D3/35 X
- 4,498,583 2/1985 Long et al. 206/444

Primary Examiner—Carmen H. Vales
Attorney, Agent, or Firm—George F. Bethel; Patience K. Bethel

[57] CLAIM

The ornamental design for a magnetic diskette file, substantially as shown.

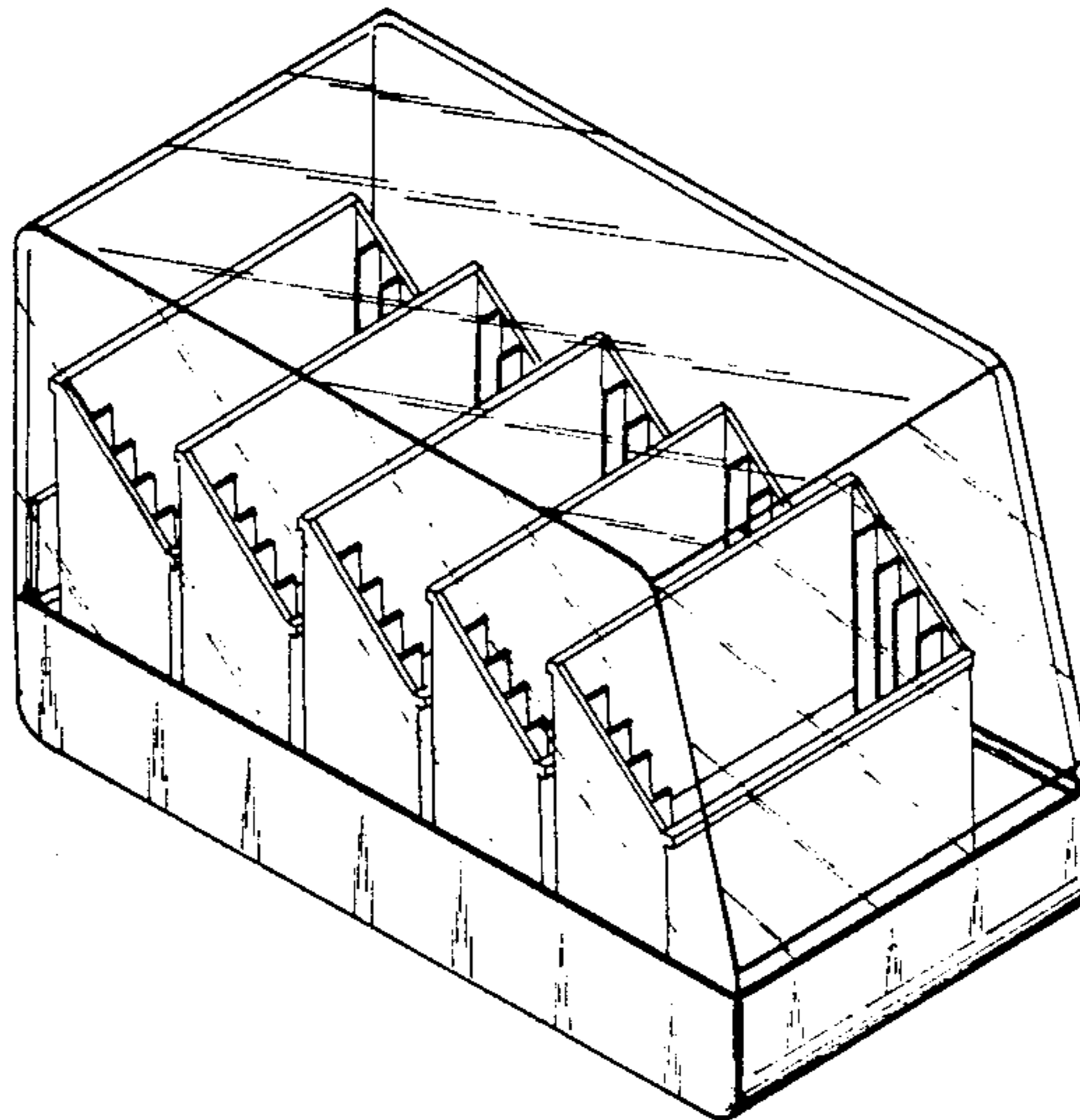
DESCRIPTION

FIG. 1 is a perspective view of a magnetic diskette file showing my new design;

FIG. 2 is a side elevational view thereof;

FIG. 3 is a rear perspective view thereof; and

FIG. 4 is a bottom plan view thereof.



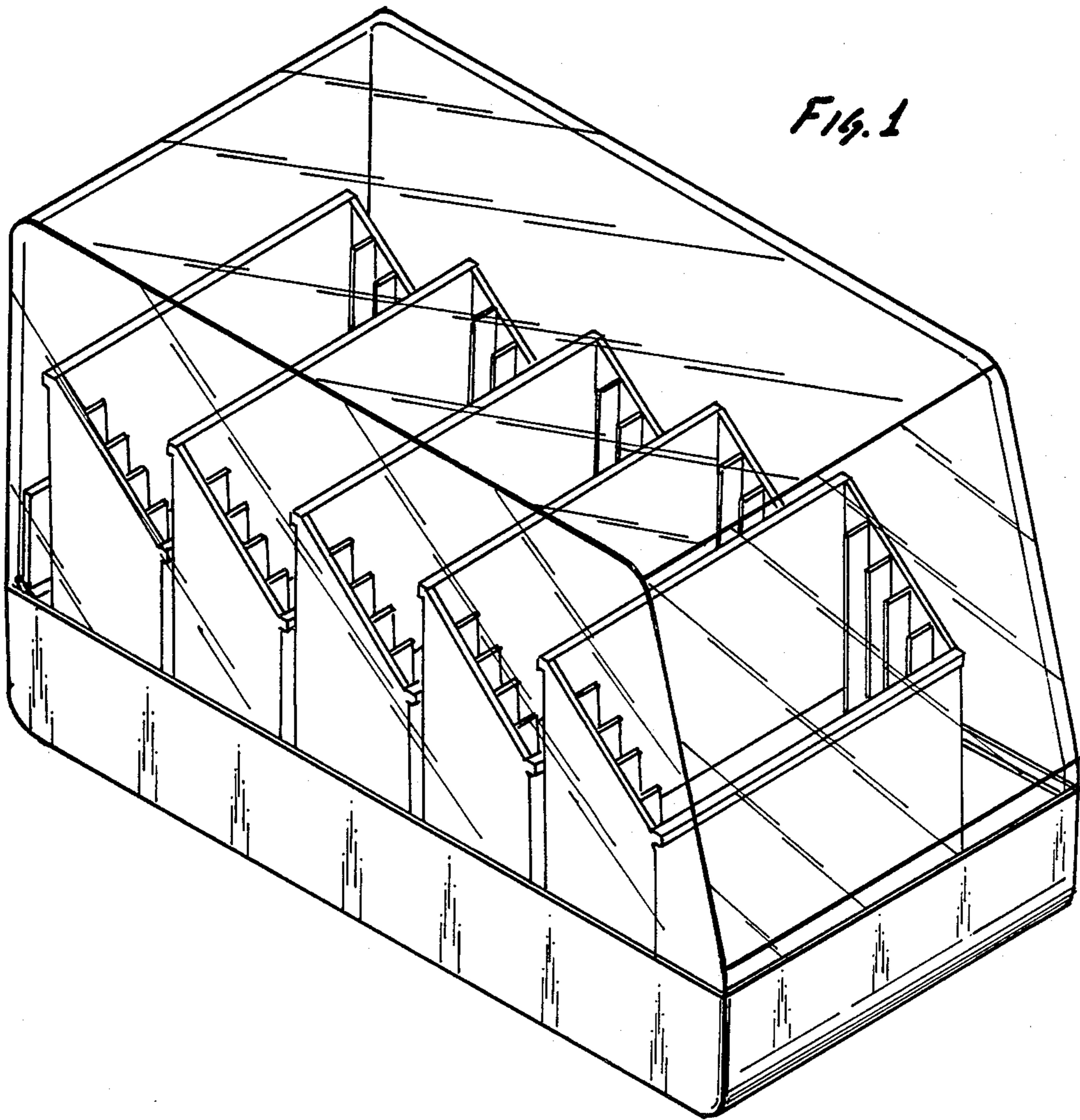
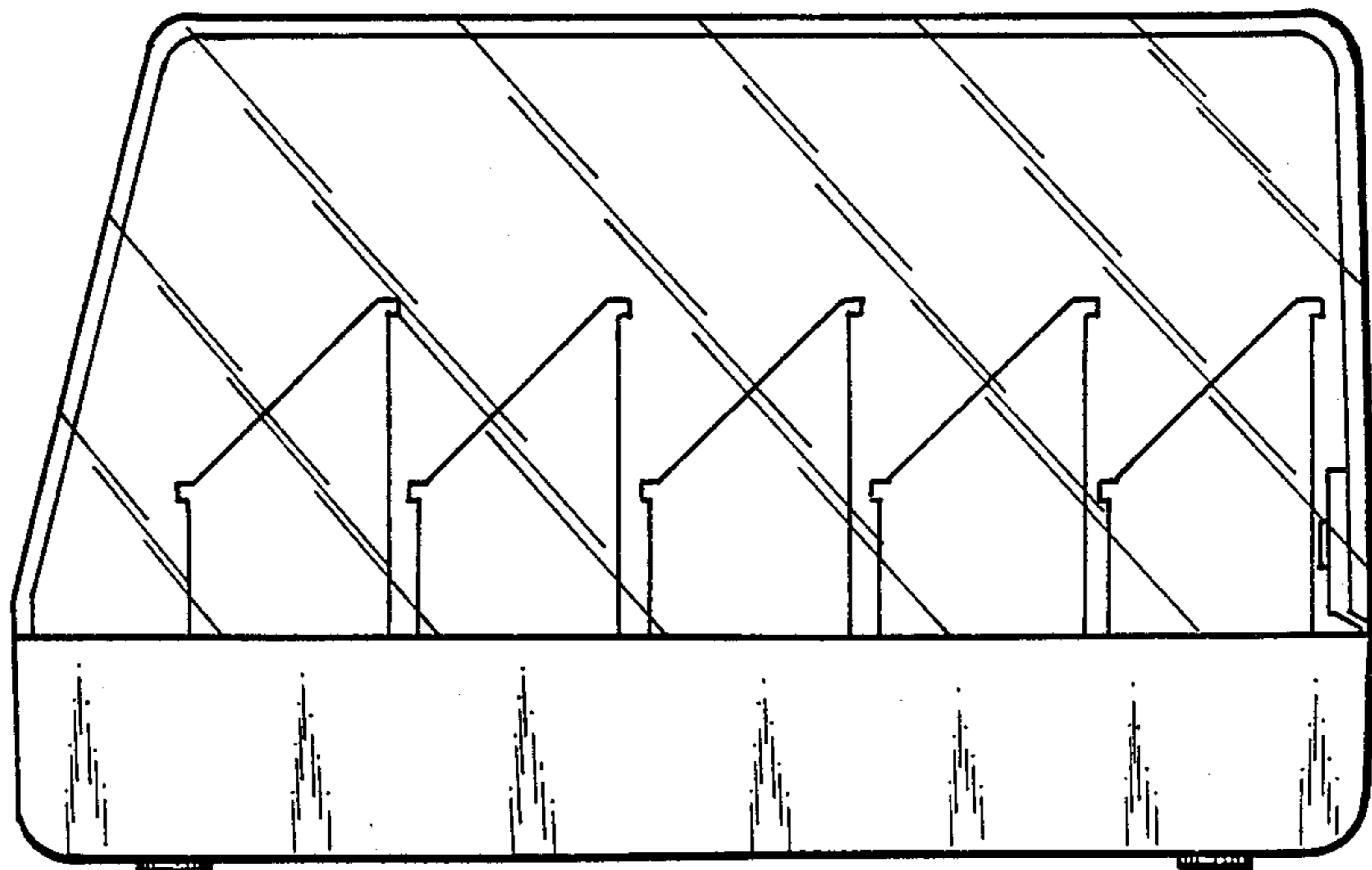


Fig. 2



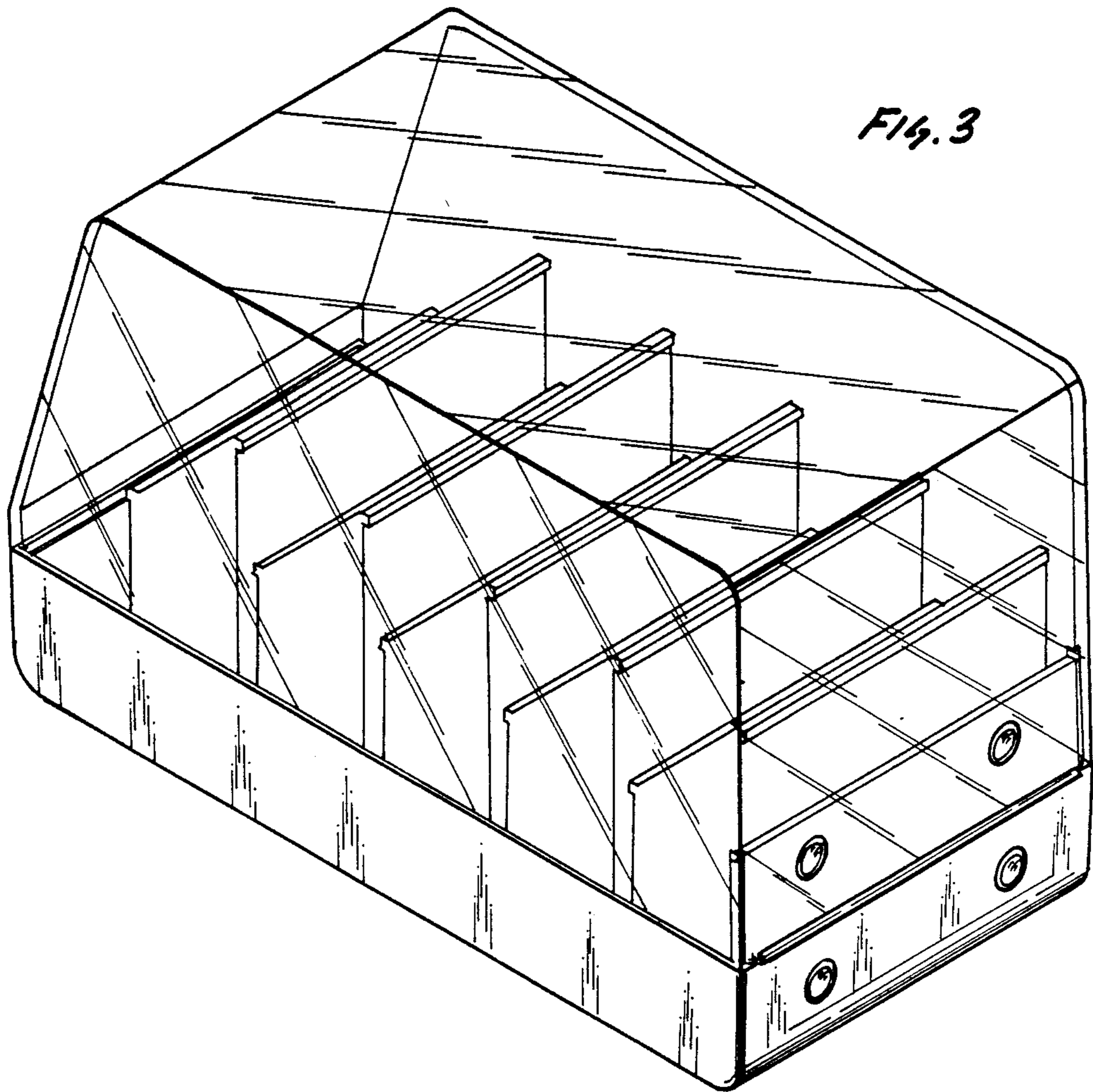


Fig. 4

