

[54] TAPE CASSETTE CARRYING CASE

[75] Inventor: James R. Reichow, Brooklyn Park, Minn.

[73] Assignee: Hartzell Manufacturing, Inc., St. Paul, Minn.

[\*\*] Term: 14 Years

[21] Appl. No.: 741,566

[22] Filed: Jun. 5, 1985

[52] U.S. Cl. .... D3/35; D3/74

[58] Field of Search ..... D3/35, 74, 76, 33; 206/45.13, 45.18, 307, 309, 387, 389, 312, 313, 472, 444, 425; D9/424, 432, 341, 423; D6/407

[56] References Cited

U.S. PATENT DOCUMENTS

- D. 239,664 4/1976 Savoy ..... D3/35
- D. 249,743 9/1978 Berkman ..... D3/35
- D. 252,235 6/1979 Davis ..... D3/76
- D. 256,737 9/1980 Woodhall ..... D3/35

- D. 271,445 11/1983 Kim ..... D3/76
- D. 272,966 3/1984 Ward ..... D3/33 X
- D. 287,429 12/1986 Esslinger ..... D3/76
- 4,040,518 8/1977 Carter ..... D3/35 X
- 4,629,066 12/1986 Howard ..... 206/387

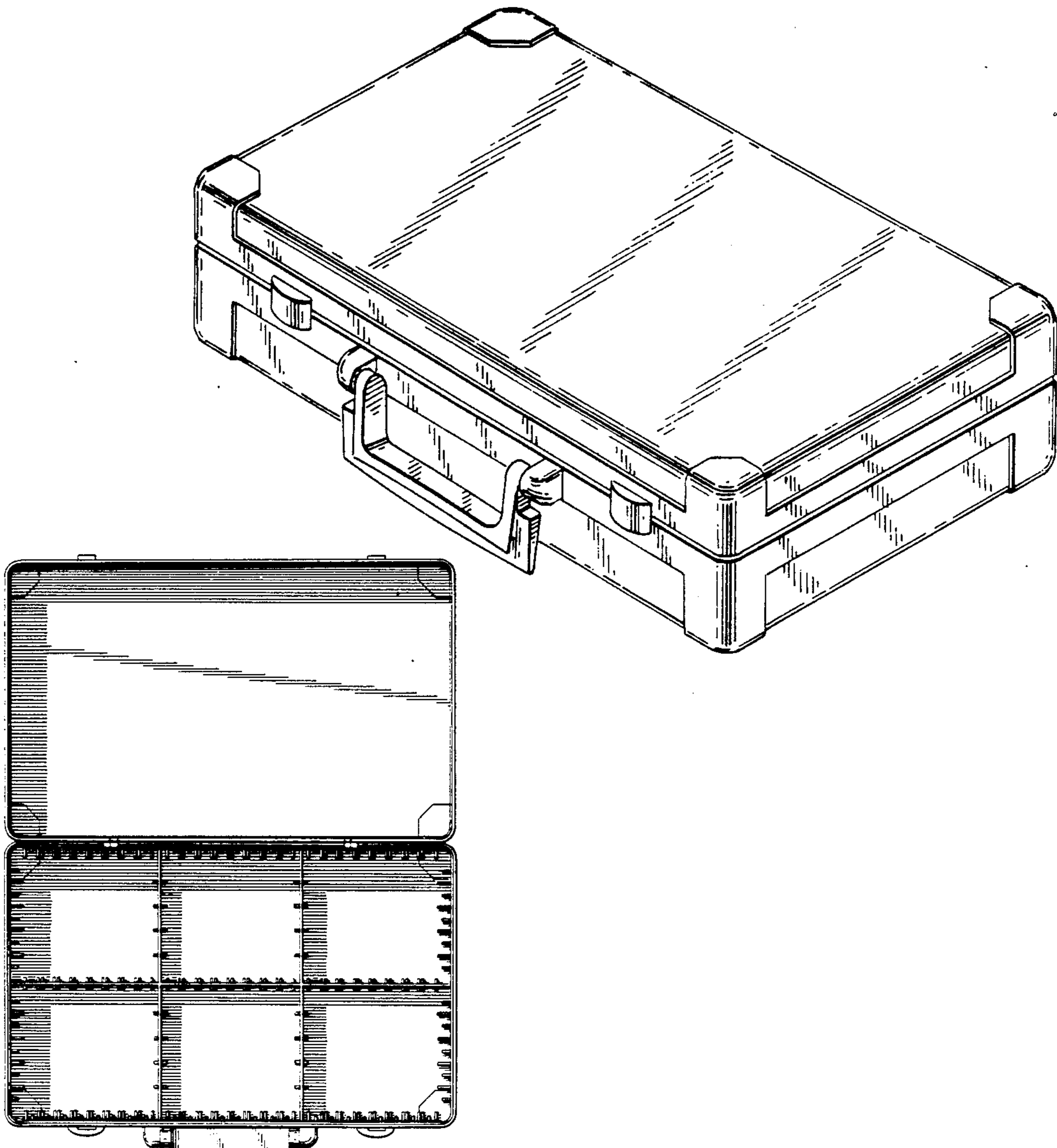
Primary Examiner—Carmen H. Vales  
Attorney, Agent, or Firm—Merchant, Gould, Smith, Edell, Welter & Schmidt

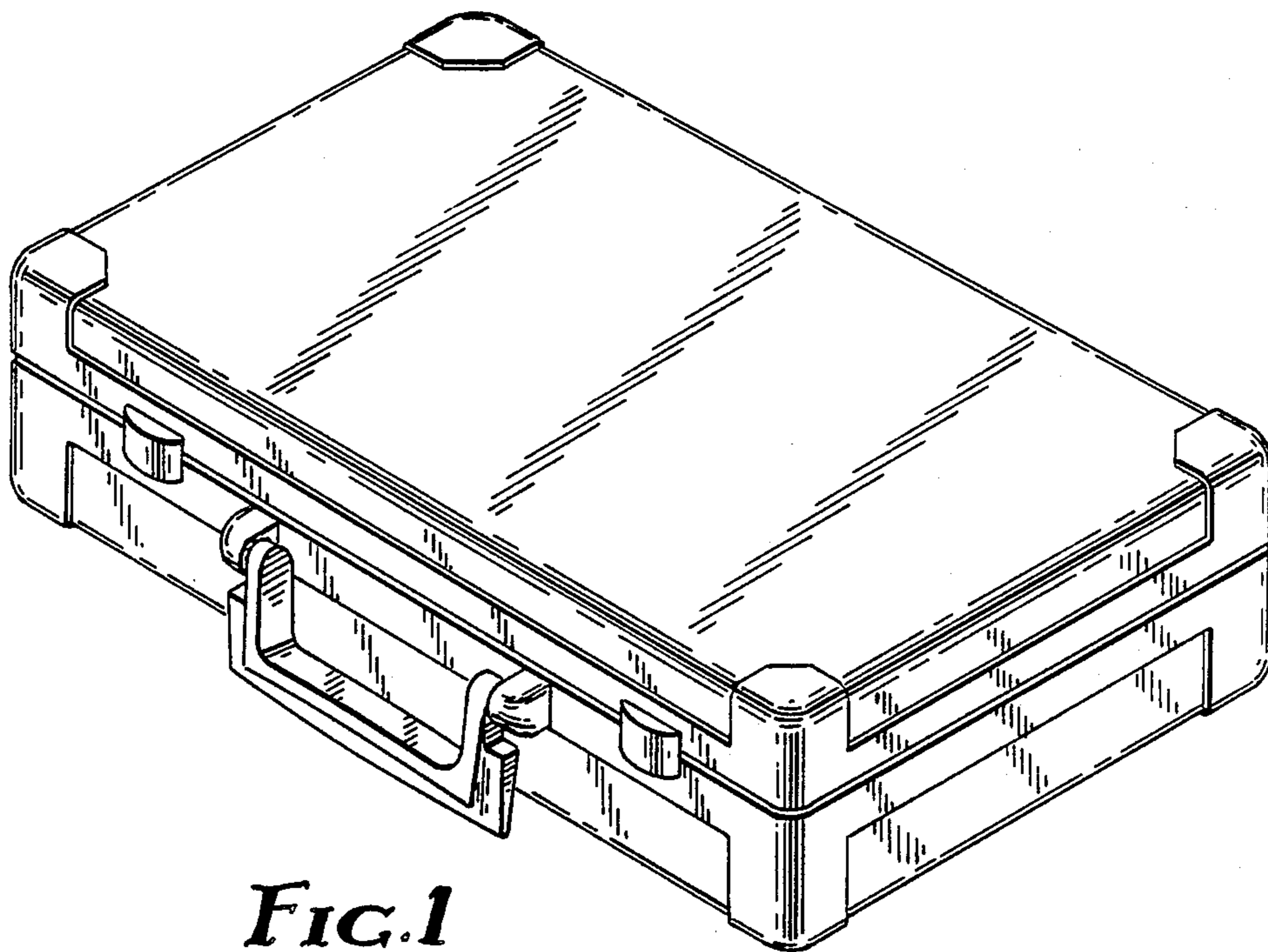
[57] CLAIM

The ornamental design for a tape cassette carrying case, as shown and described.

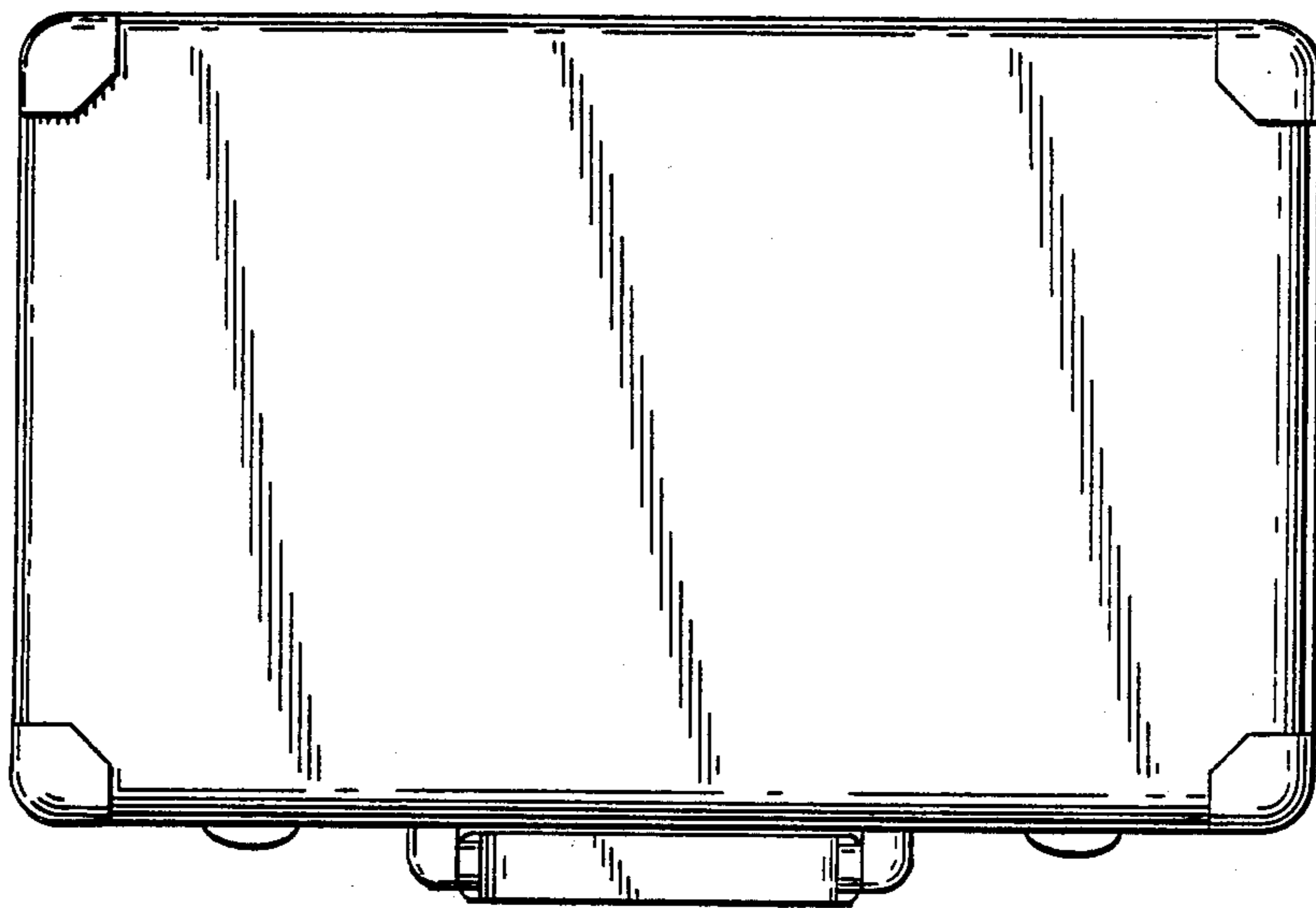
DESCRIPTION

FIG. 1 is a perspective view of a tape cassette carrying case showing my new design;  
 FIG. 2 is a top plan view thereof;  
 FIG. 3 is a front elevational view thereof;  
 FIG. 4 is a rear elevational view thereof;  
 FIG. 5 is a right side elevational view, the left side being a mirror image thereof;  
 FIG. 6 is a bottom plan view thereof;  
 FIG. 7 is a top plan view in open position.

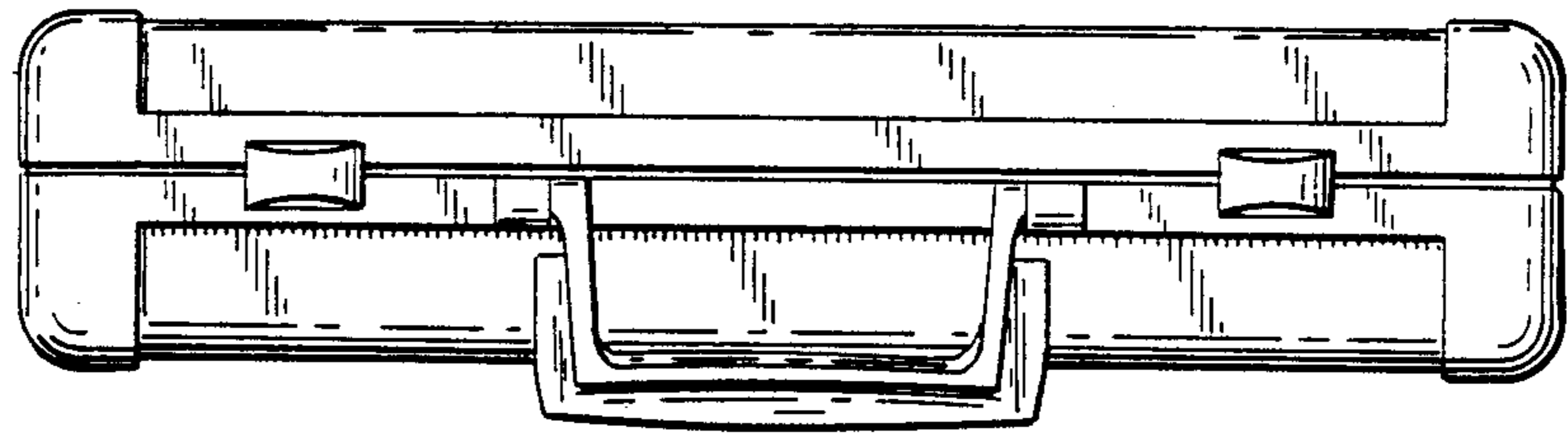




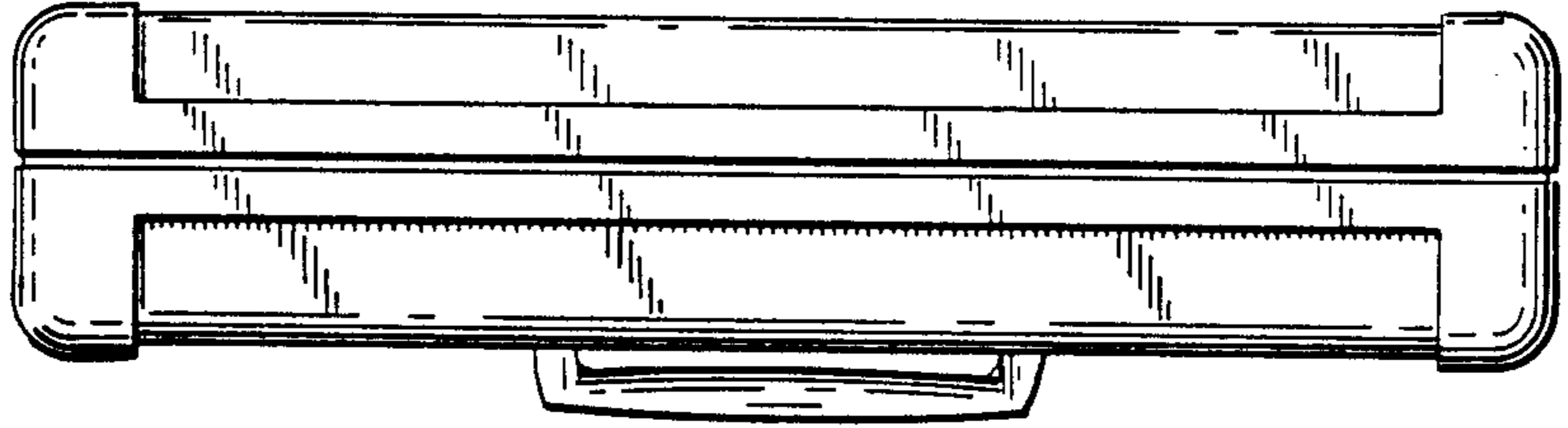
*FIG. 1*



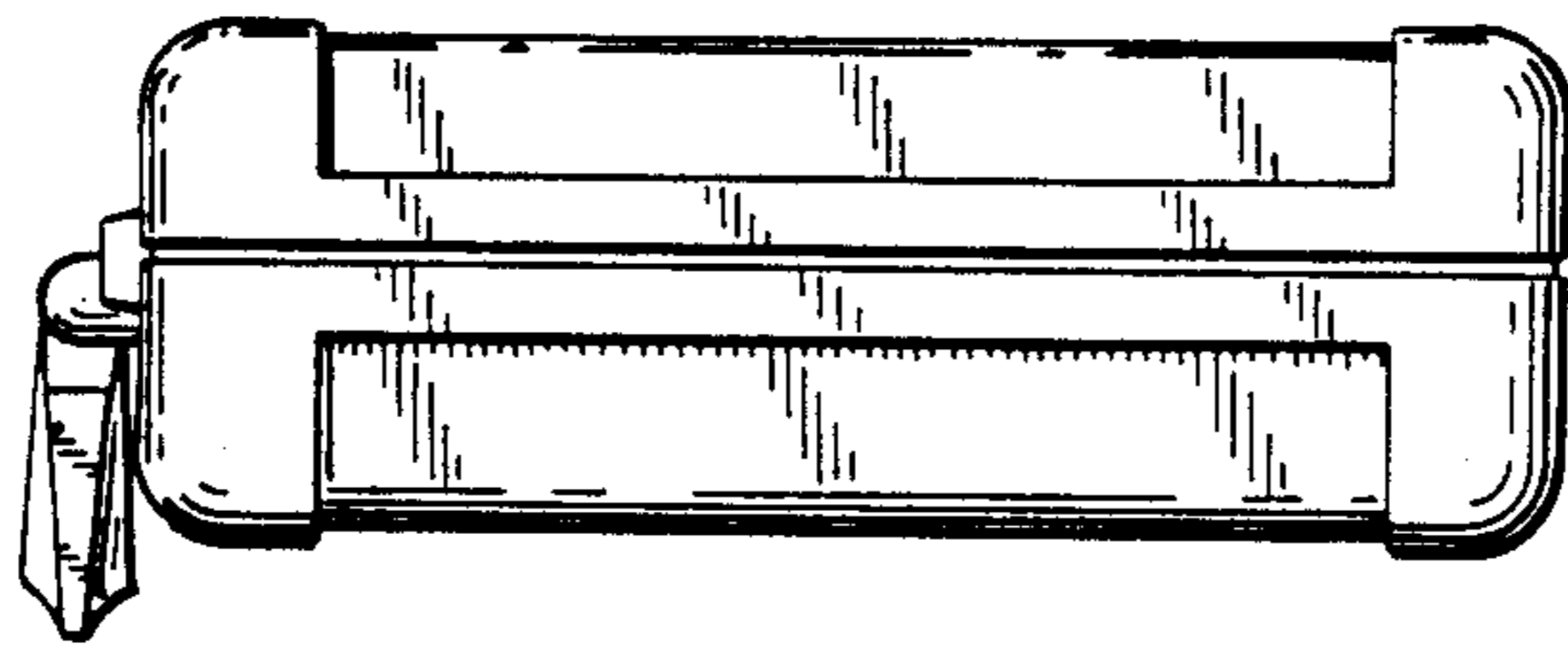
*FIG. 2*



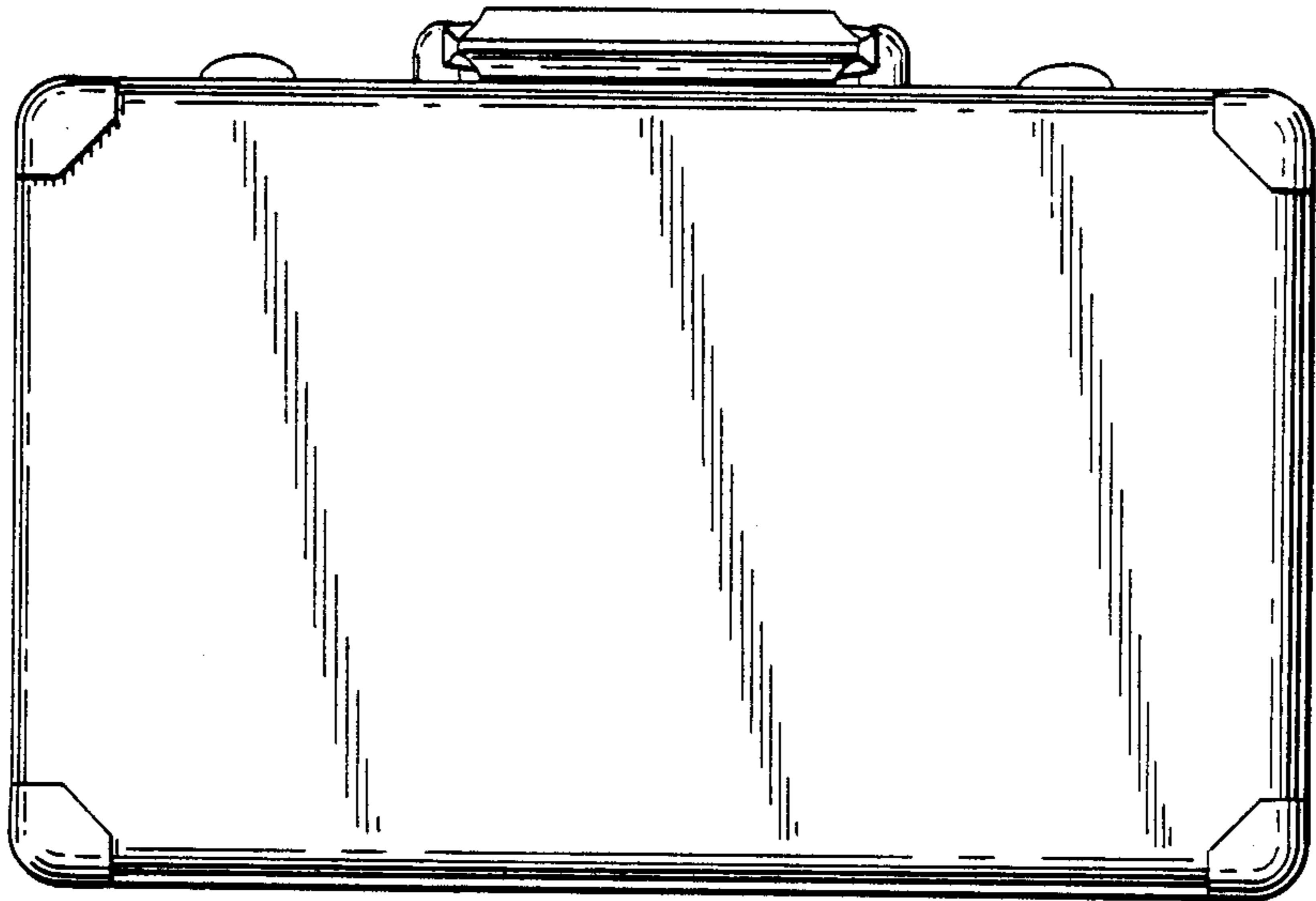
*FIG. 3*



*FIG. 4*

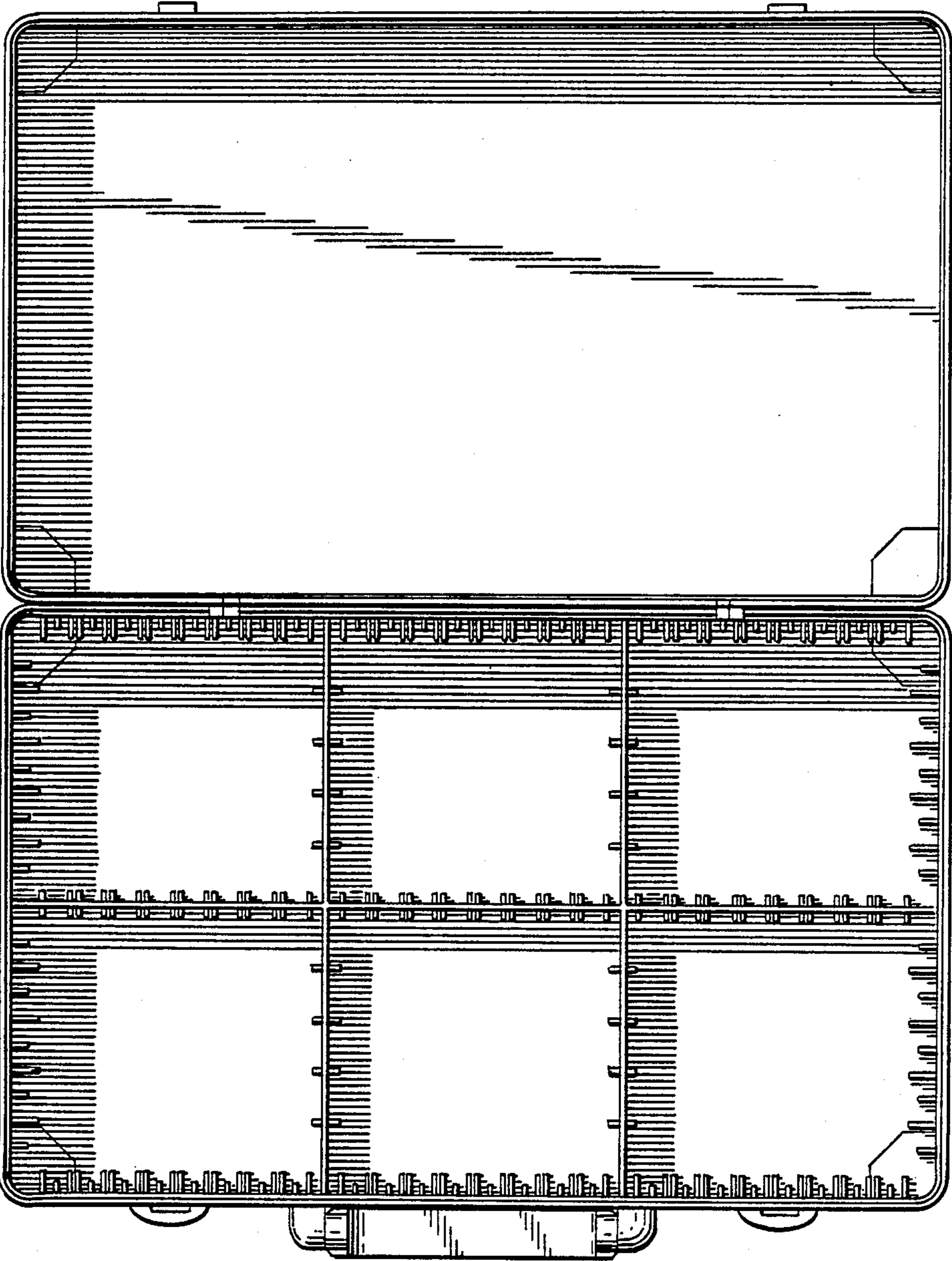


*FIG. 5*



*FIG. 6*





*FIG. 7*