

[54] **HEATING DEVICE FOR HEAT-STORING  
HAIR CURLERS**

[75] **Inventor: Robert Oberheim, Liederbach, Fed.  
Rep. of Germany**

[73] **Assignee: Braun Aktiengesellschaft, Kronberg,  
Fed. Rep. of Germany**

[\*\*] **Term: 14 Years**

[21] **Appl. No.: 755,387**

[22] **Filed: Jul. 16, 1985**

[30] **Foreign Application Priority Data**

Mar. 29, 1985 [DE] Fed. Rep. of Germany ... 73MR9375

[52] **U.S. CL. .... D28/38**

[58] **Field of Search ..... D28/38, 61, 73; D3/39;  
132/1 R; 219/222, 242**

[56] **References Cited**

**U.S. PATENT DOCUMENTS**

D. 267,902 2/1983 Meisner et al. .... D28/38 X

D. 287,299 12/1986 Yamagami et al. .... D28/38

**FOREIGN PATENT DOCUMENTS**

MR6305 4/1970 Fed. Rep. of Germany .

1012322 4/1983 United Kingdom .

1017682 2/1984 United Kingdom .

*Primary Examiner*—Louis S. Zarfes

*Attorney, Agent, or Firm*—Raymond J. De Vellis

[57] **CLAIM**

The ornamental design for a heating device for heat-storing hair curlers, substantially as shown and described.

**DESCRIPTION**

FIG. 1 is a front perspective view of a heating device for heat-storing hair curlers showing my new design; FIG. 2 is a front elevational view thereof; FIG. 3 is a top plan view thereof; FIG. 4 is a right side elevational view thereof; FIG. 5 is a rear elevational view thereof; FIG. 6 is a bottom plan view thereof; and FIG. 7 is a left side elevational view thereof.

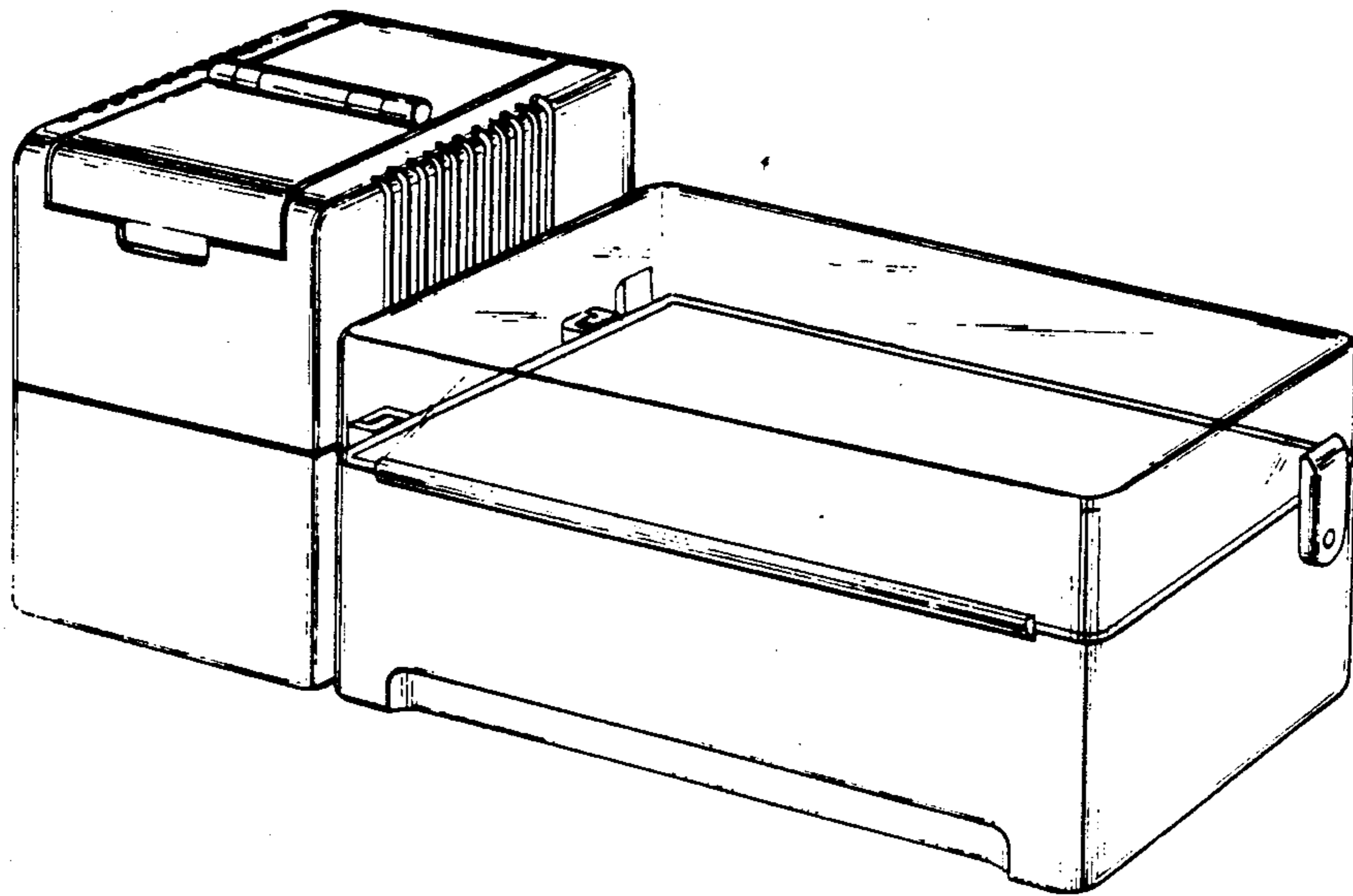


FIG. 1

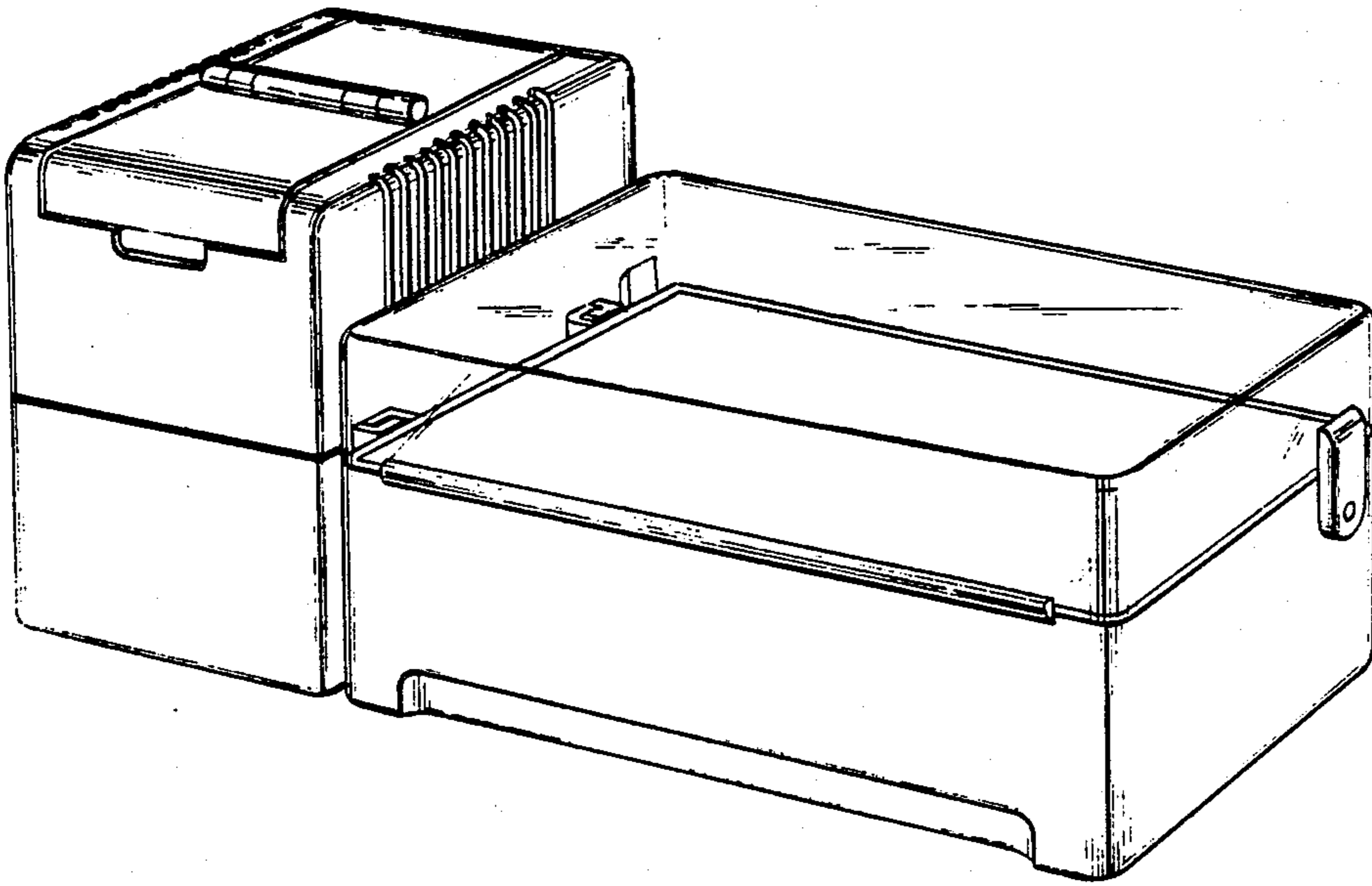


FIG. 2

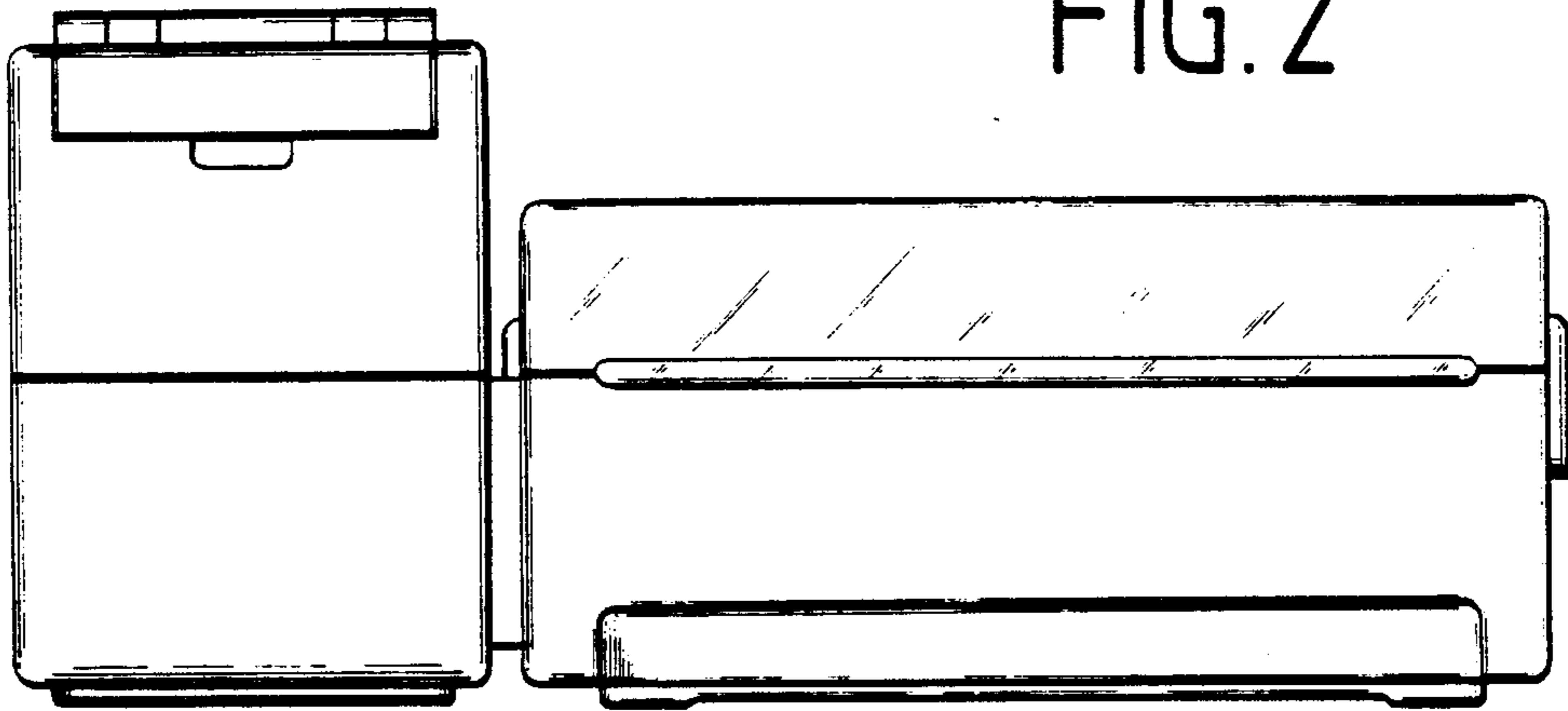


FIG. 3

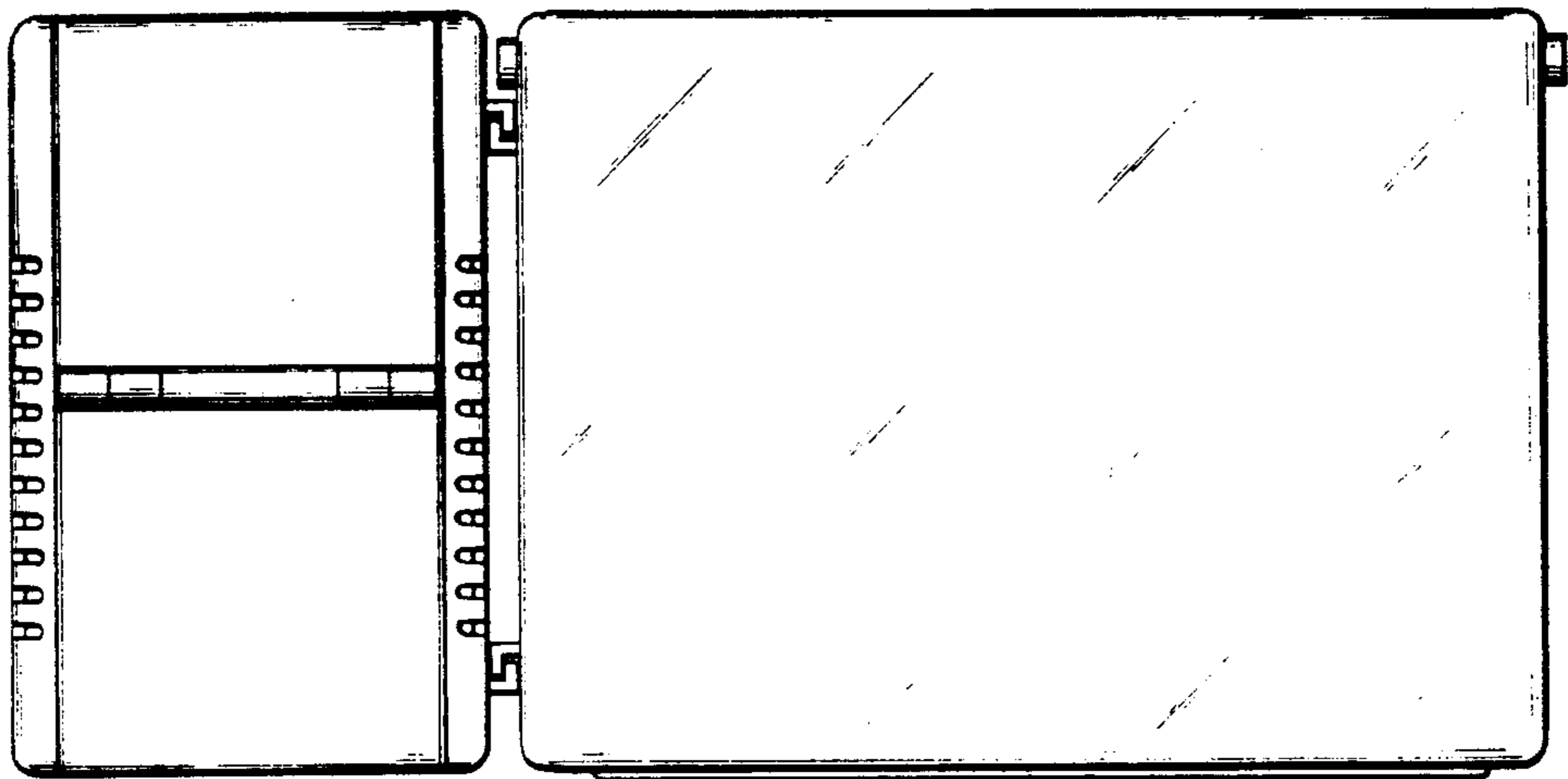


FIG. 4

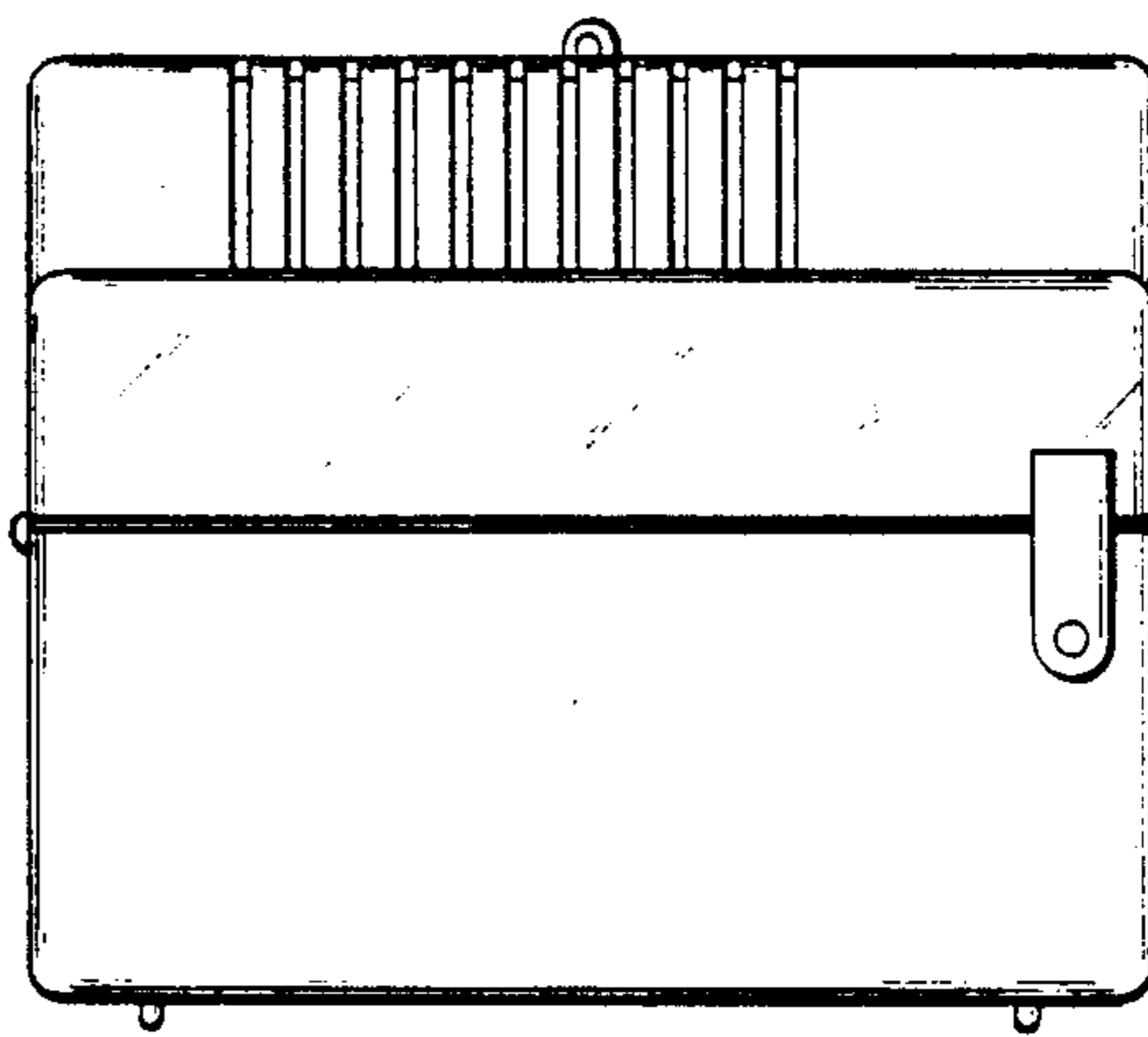


FIG. 5

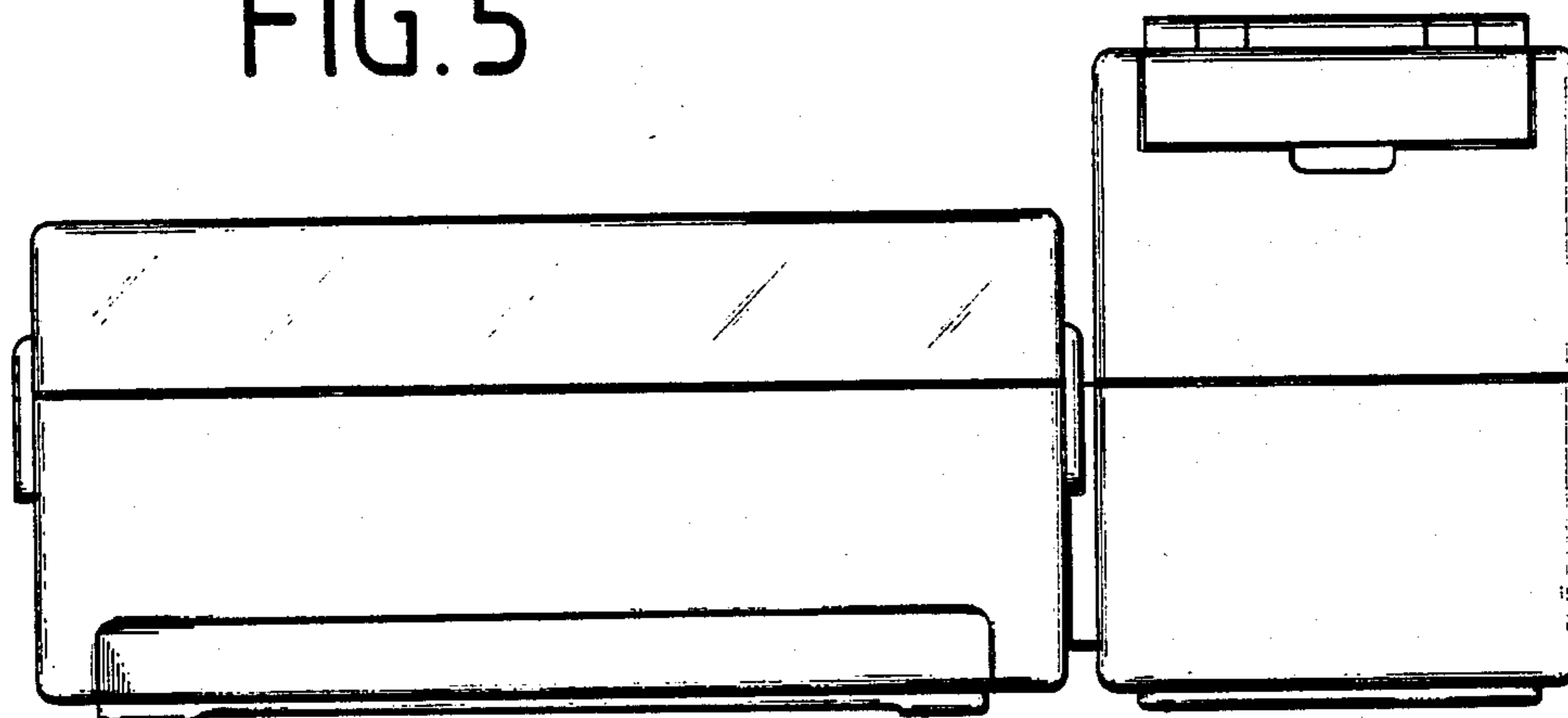


FIG. 6

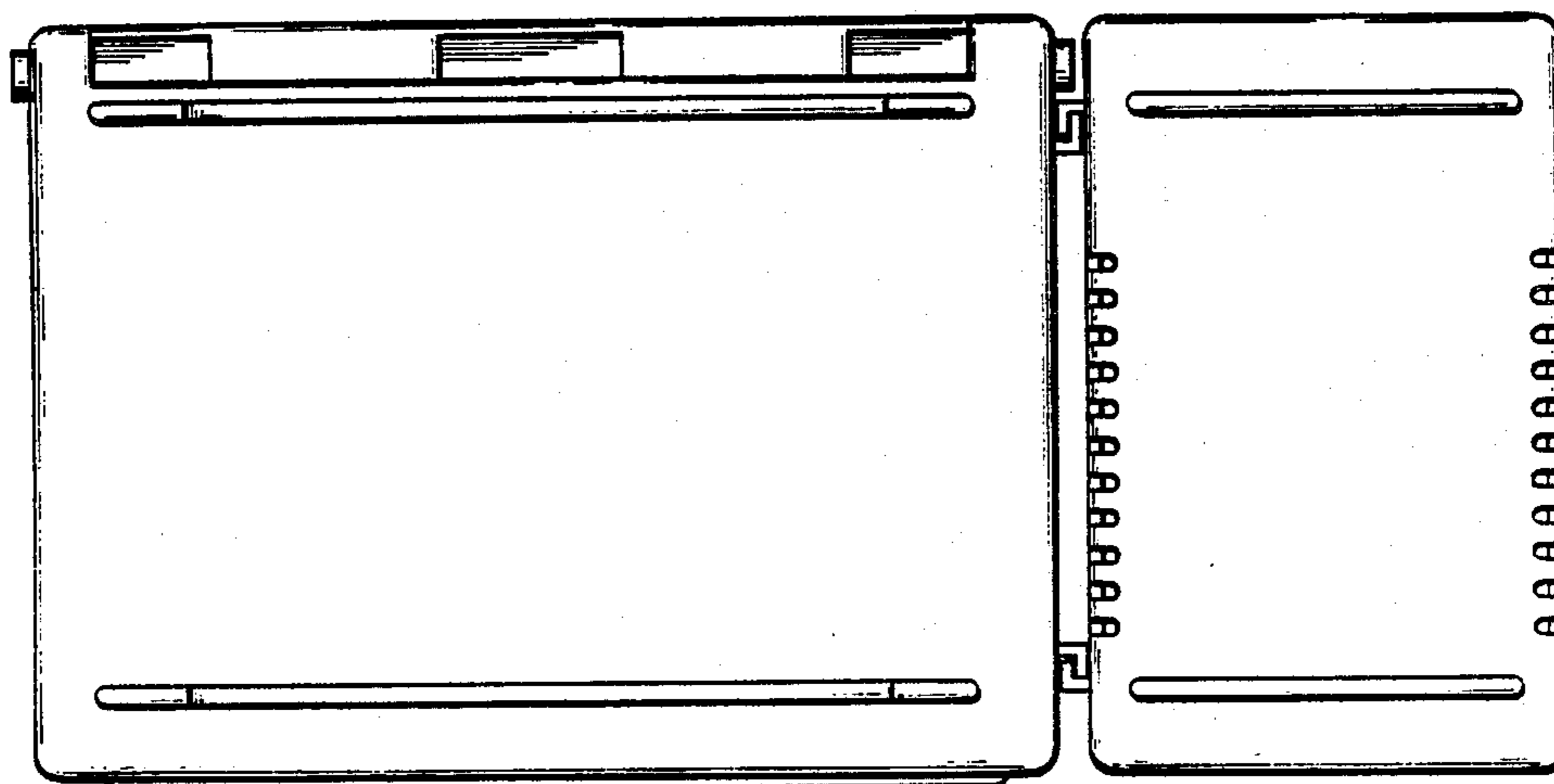


FIG. 7

