

[54] **CROWN MOLDING FOR CEILINGS**

[76] **Inventor: Sebastian E. Dreiling, 1360 McCan St., Anaheim, Calif. 92806**

[**] **Term: 14 Years**

[21] **Appl. No.: 772,003**

[22] **Filed: Sep. 3, 1985**

[52] **U.S. Cl. D25/136**

[58] **Field of Search D25/119, 136, 121; 52/281, 287, 288, 716, 717, 718**

[56] **References Cited**

U.S. PATENT DOCUMENTS

D. 109,843 5/1938 Geerlings D25/121
1,944,070 1/1934 Esdorn 52/288

OTHER PUBLICATIONS

1985 Sweet's Catalog File, Products for Homebuilding

& Remodeling, vol. 1, Sec. 6.9/Fy, Fypon Brochure, p. 6, Cove Molding No. 916, center right side of page.

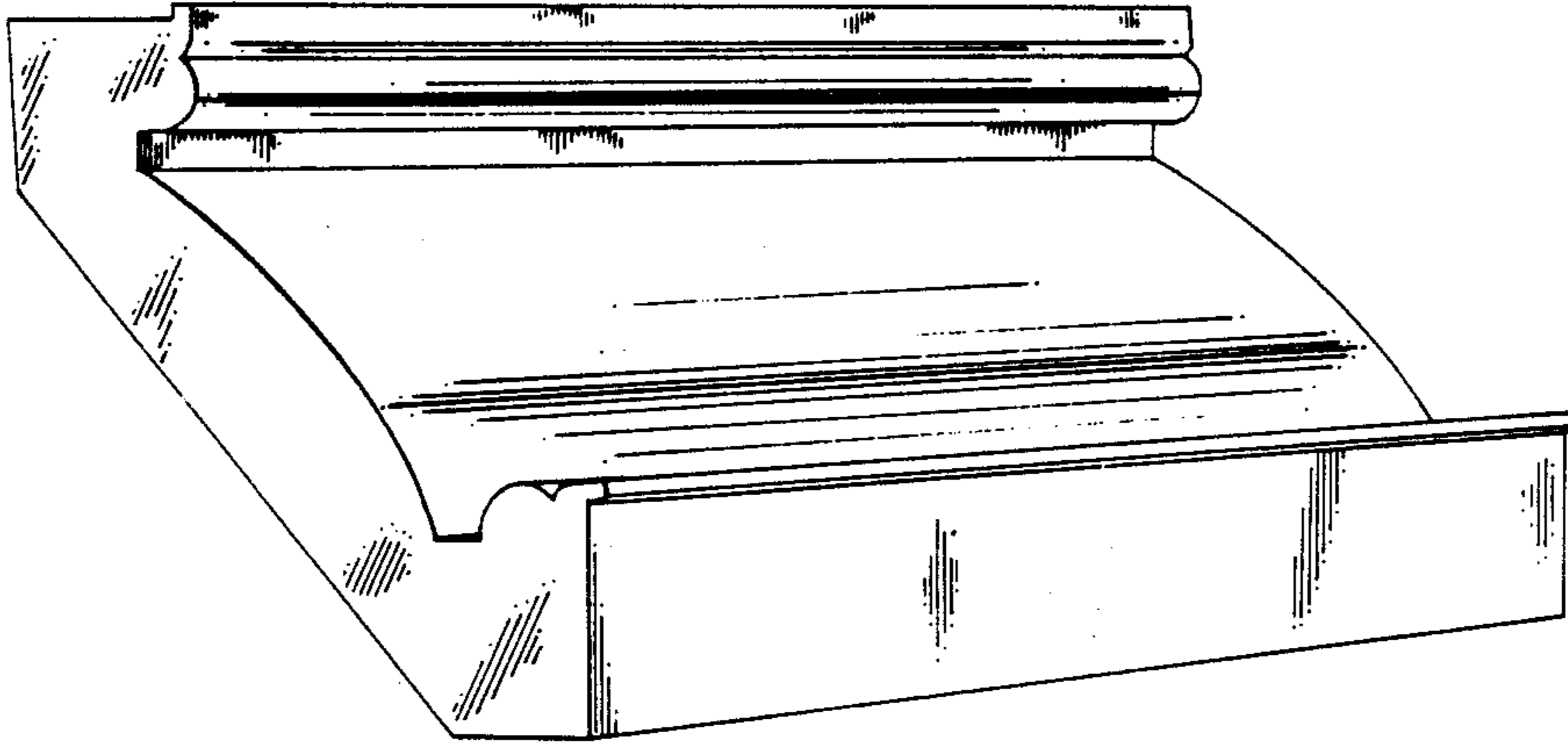
Primary Examiner—James M. Gandy
Attorney, Agent, or Firm—Francis X. LoJacono

[57] **CLAIM**

The ornamental design for a crown molding for ceilings, as shown and described.

DESCRIPTION

FIG. 1 is a perspective view of a crown molding for ceilings, showing my new design;
FIG. 2 is a top-plan view thereof;
FIG. 3 is a bottom-plan view thereof;
FIG. 4 is a front-elevational view thereof;
FIG. 5 is a rear-elevational view thereof; and
FIG. 6 is a cross-sectional view taken along line 6—6 of FIG. 4.



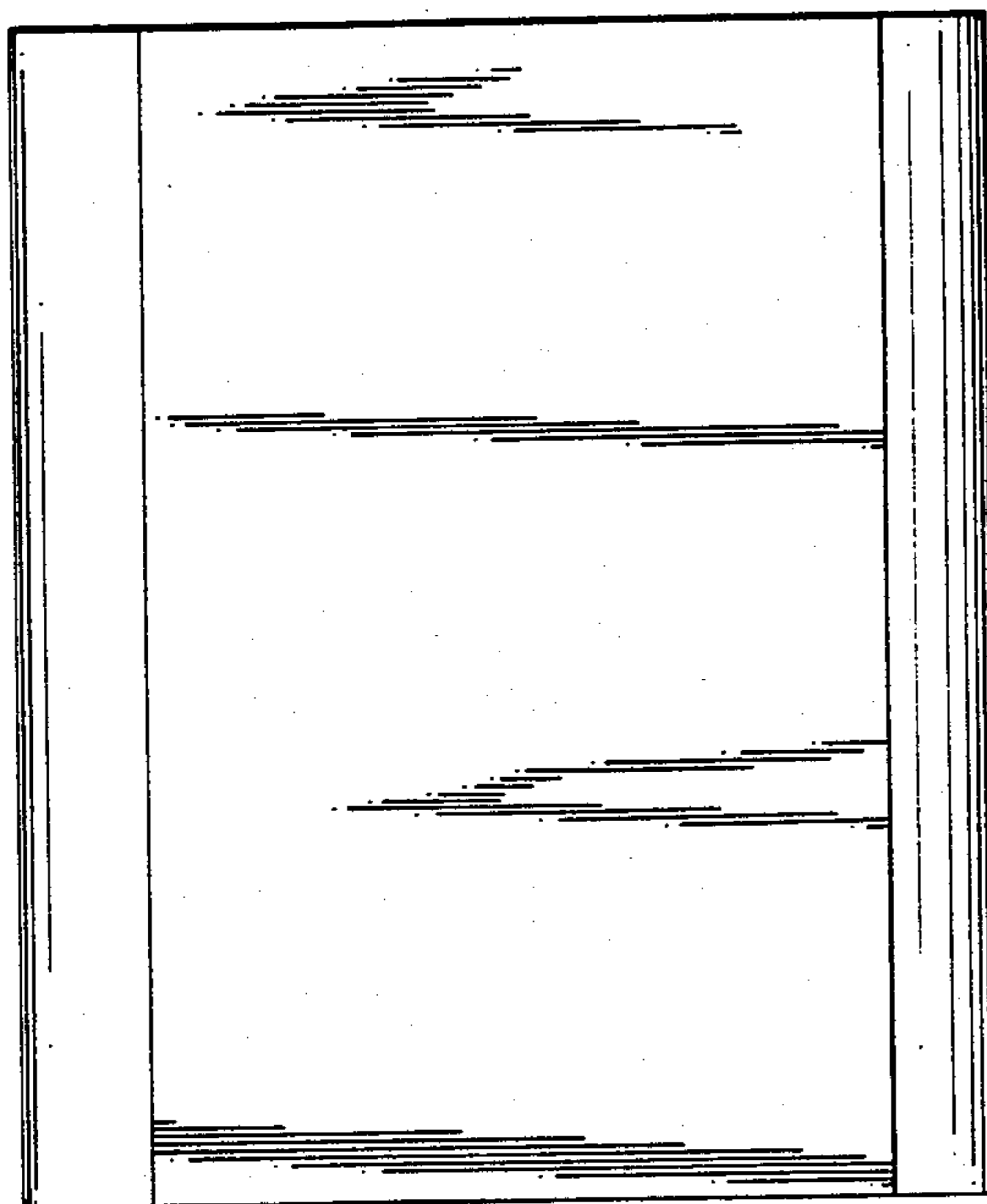
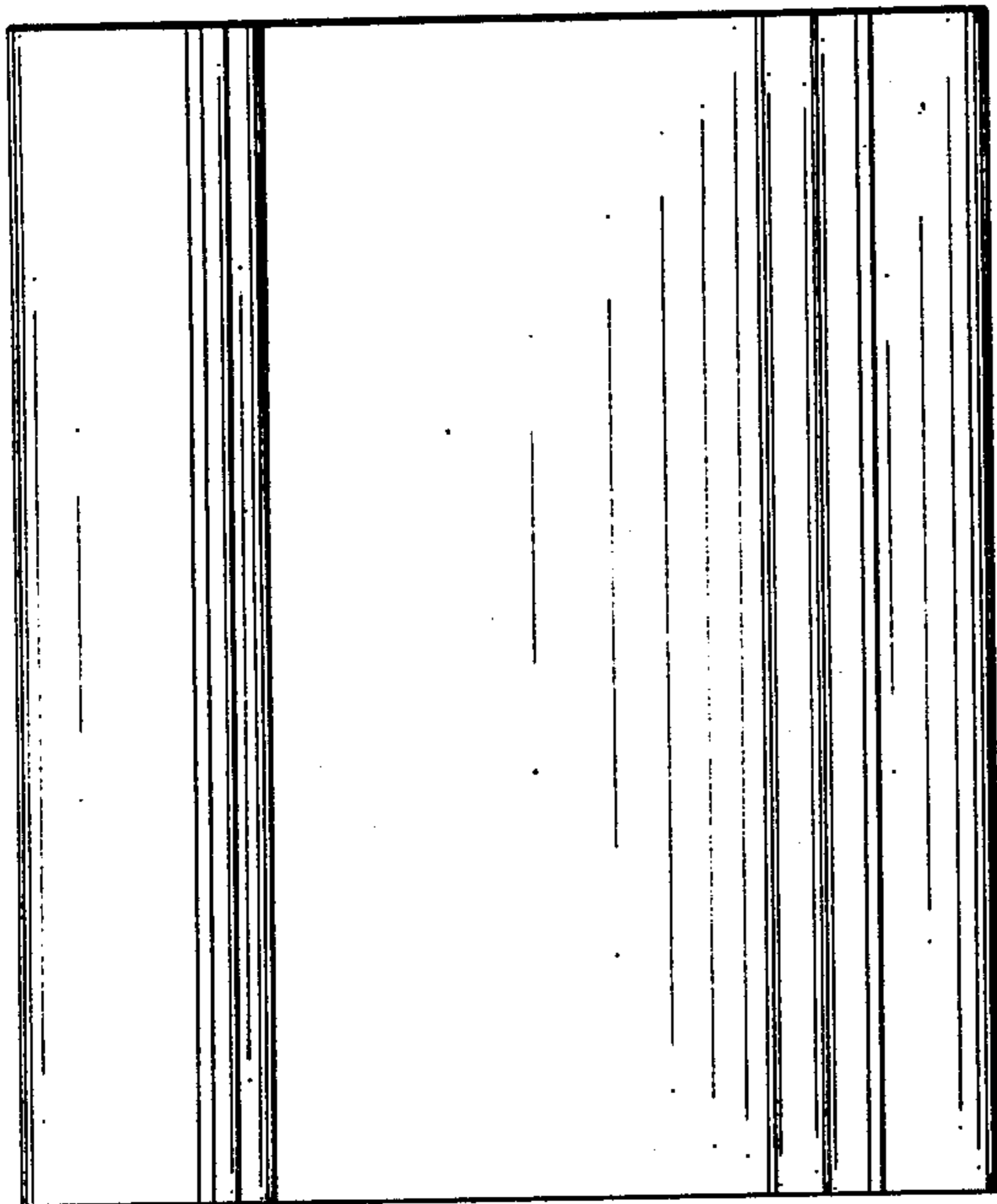


FIG. 2

FIG. 3

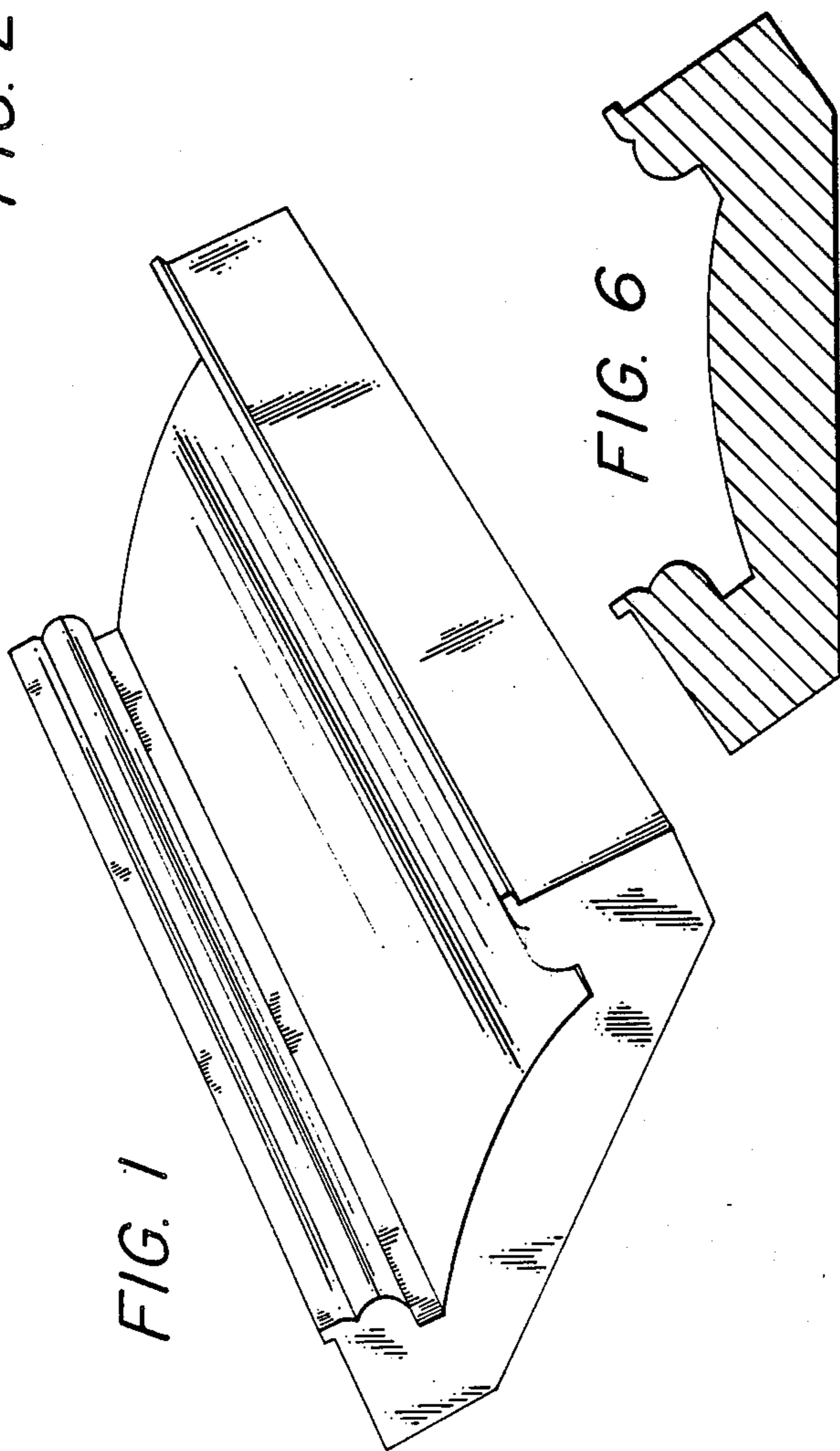


FIG. 1

FIG. 6

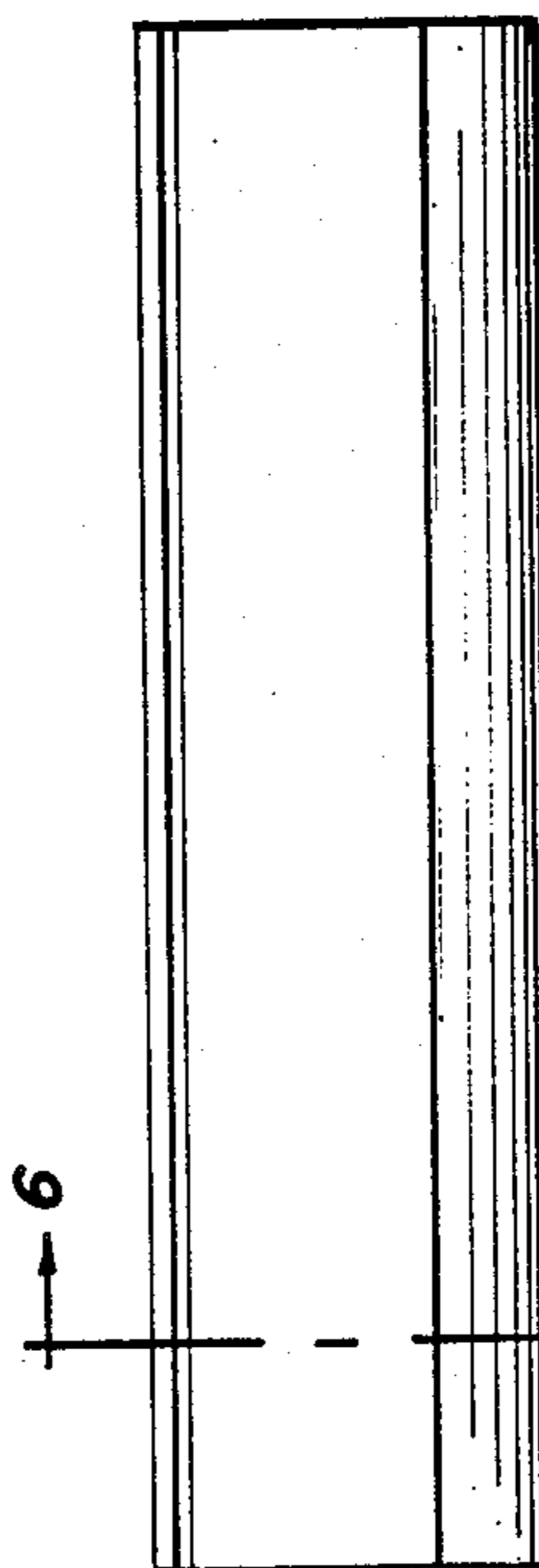


FIG. 4

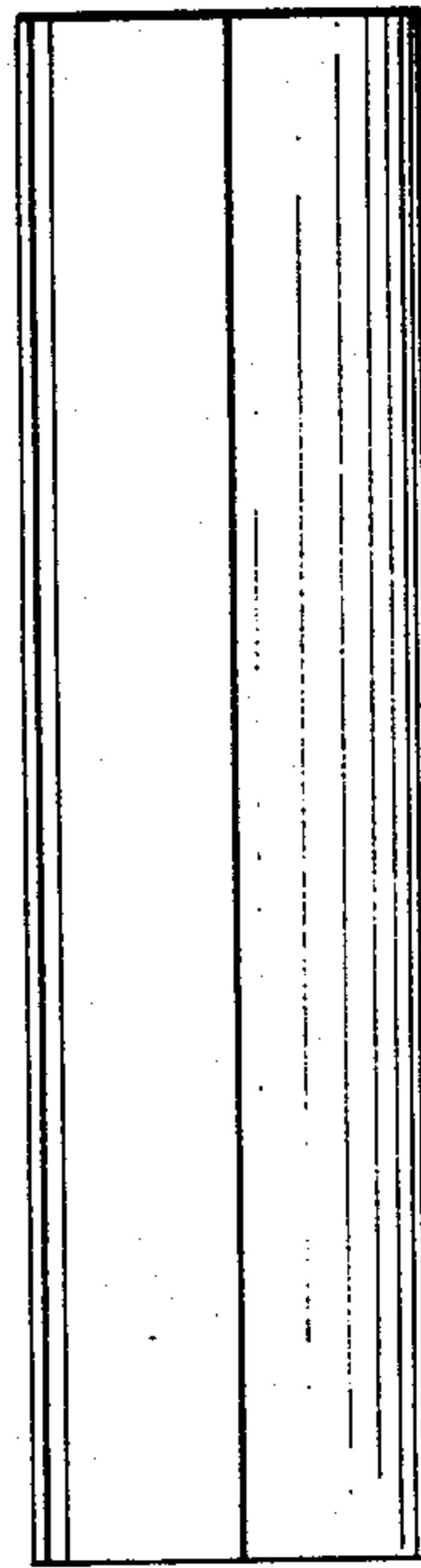


FIG. 5