

United States Patent [19]

Baffo

[11] Patent Number: Des. 296,133

[45] Date of Patent: ** Jun. 7, 1988

[54] COMBINED GAS STATION CANOPY AND PUMPS THEREFOR

[75] Inventor: Charles M. Baffo, Wilton, Conn.

[73] Assignee: Mobil Oil Corporation, New York, N.Y.

[**] Term: 14 Years

[21] Appl. No.: 729,833

[22] Filed: May 2, 1985

[52] U.S. Cl. D25/56; D15/9.2

[58] Field of Search D25/1, 33, 56; D15/9.2

[56] **References Cited**

U.S. PATENT DOCUMENTS

D. 223,440 4/1972 Noyes D25/56

D. 252,994 9/1979 Pettingill D15/9.2
D. 276,373 11/1984 Baffo D25/56
D. 281,427 11/1985 Baffo et al. D15/9.2

Primary Examiner—A. Hugo Word

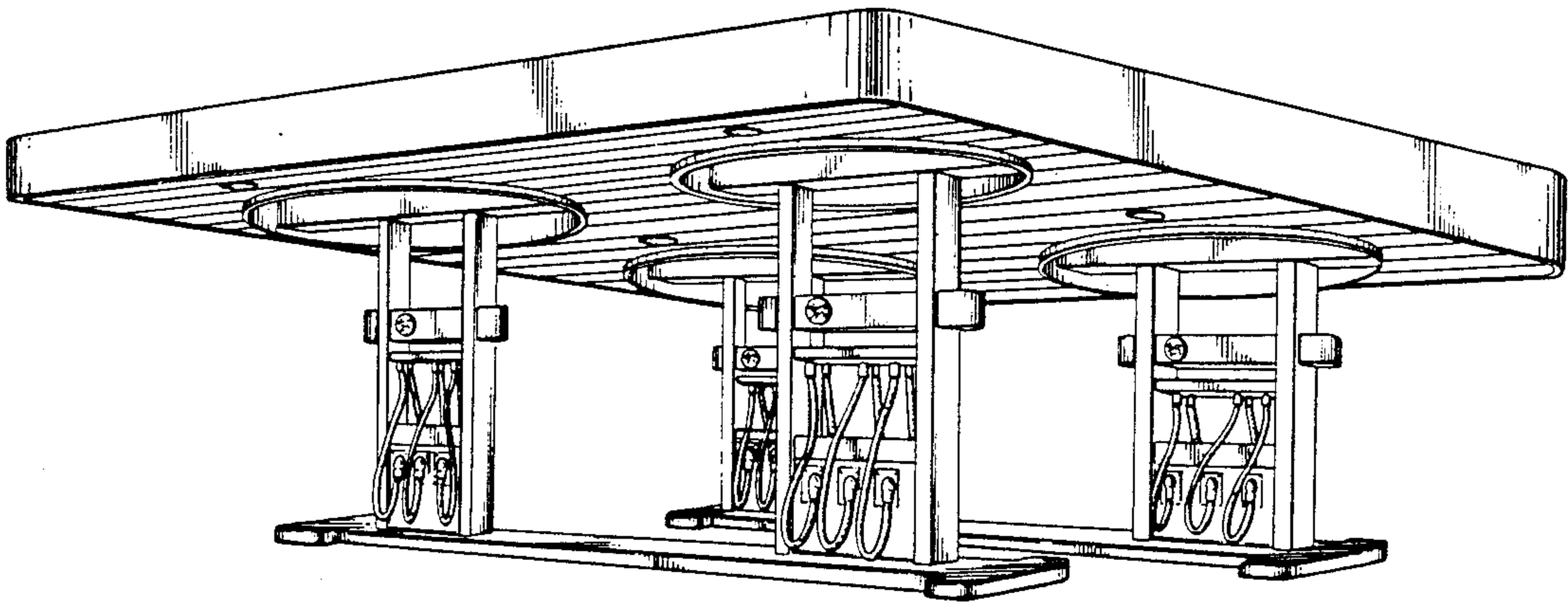
Attorney, Agent, or Firm—A. J. McKillop; M. G. Gilman; J. P. O'Sullivan, Sr.

[57] **CLAIM**

The ornamental design for a combined gas station canopy and pumps therefor, as described above and shown in the accompanying drawings.

DESCRIPTION

FIG. 1 is a perspective view of a combined gas station canopy and pumps therefor showing my new design. FIG. 2 is an elevational view of each side thereof. FIG. 3 is a front elevational view thereof. FIG. 4 is a top plan view thereof.



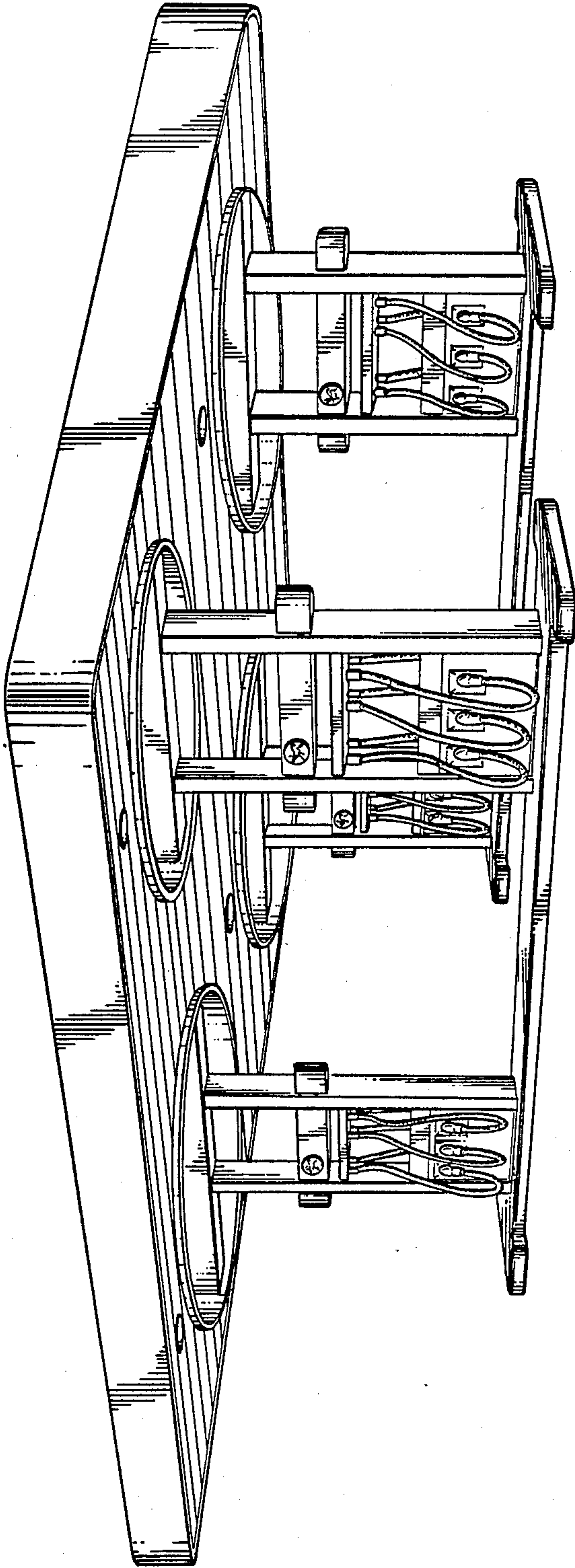


FIG. 1

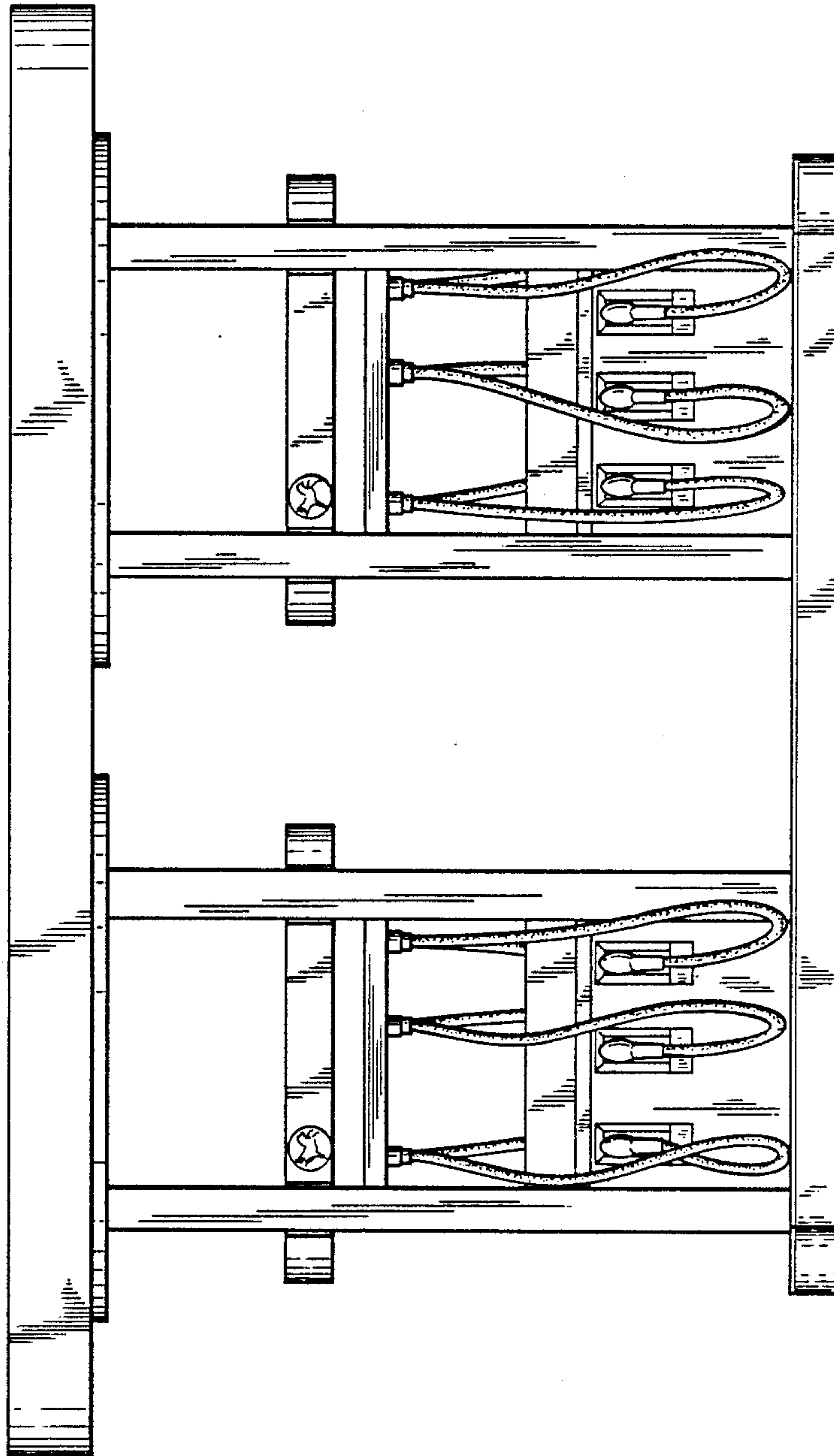


FIG. 2

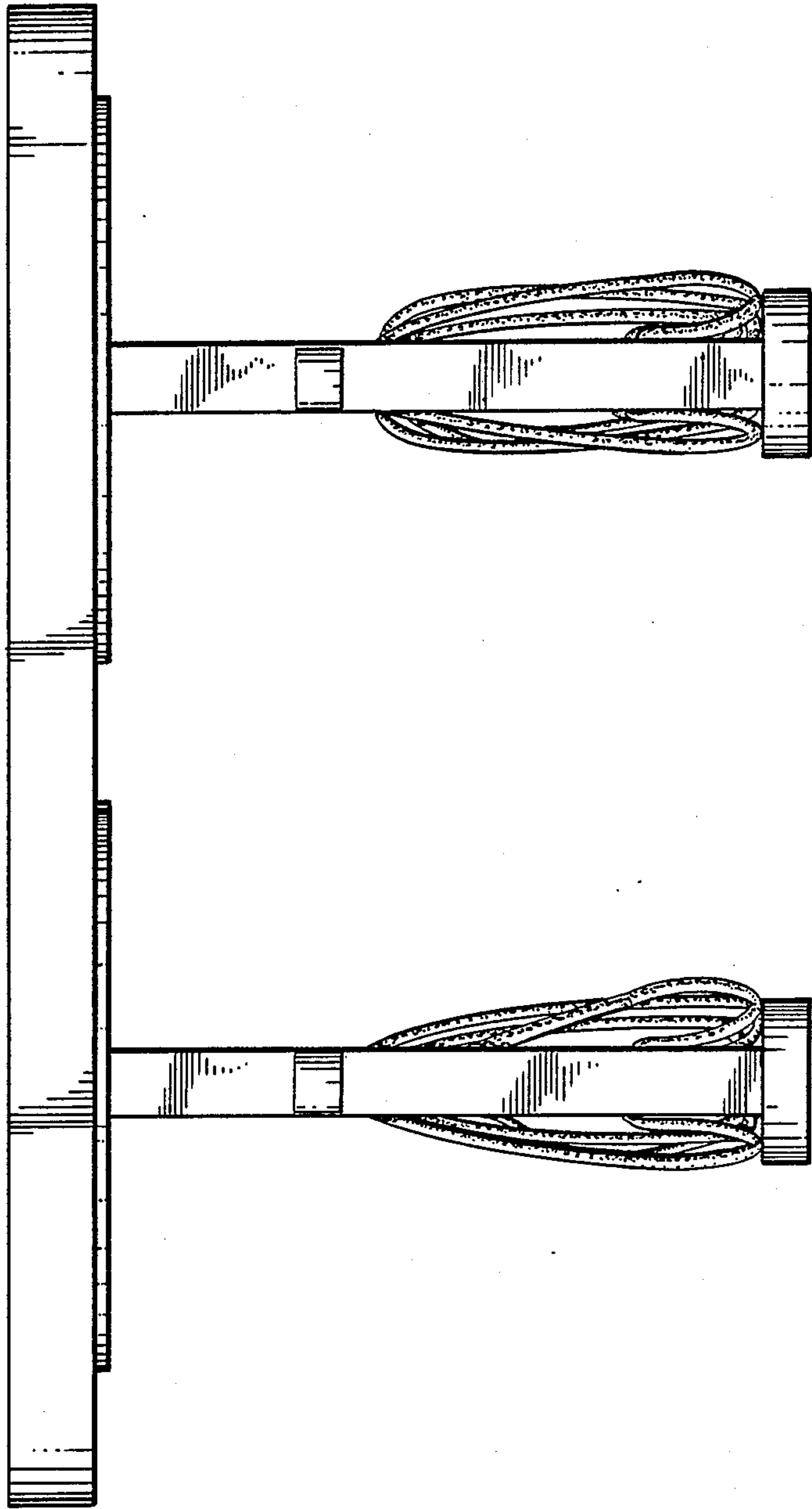


FIG. 3

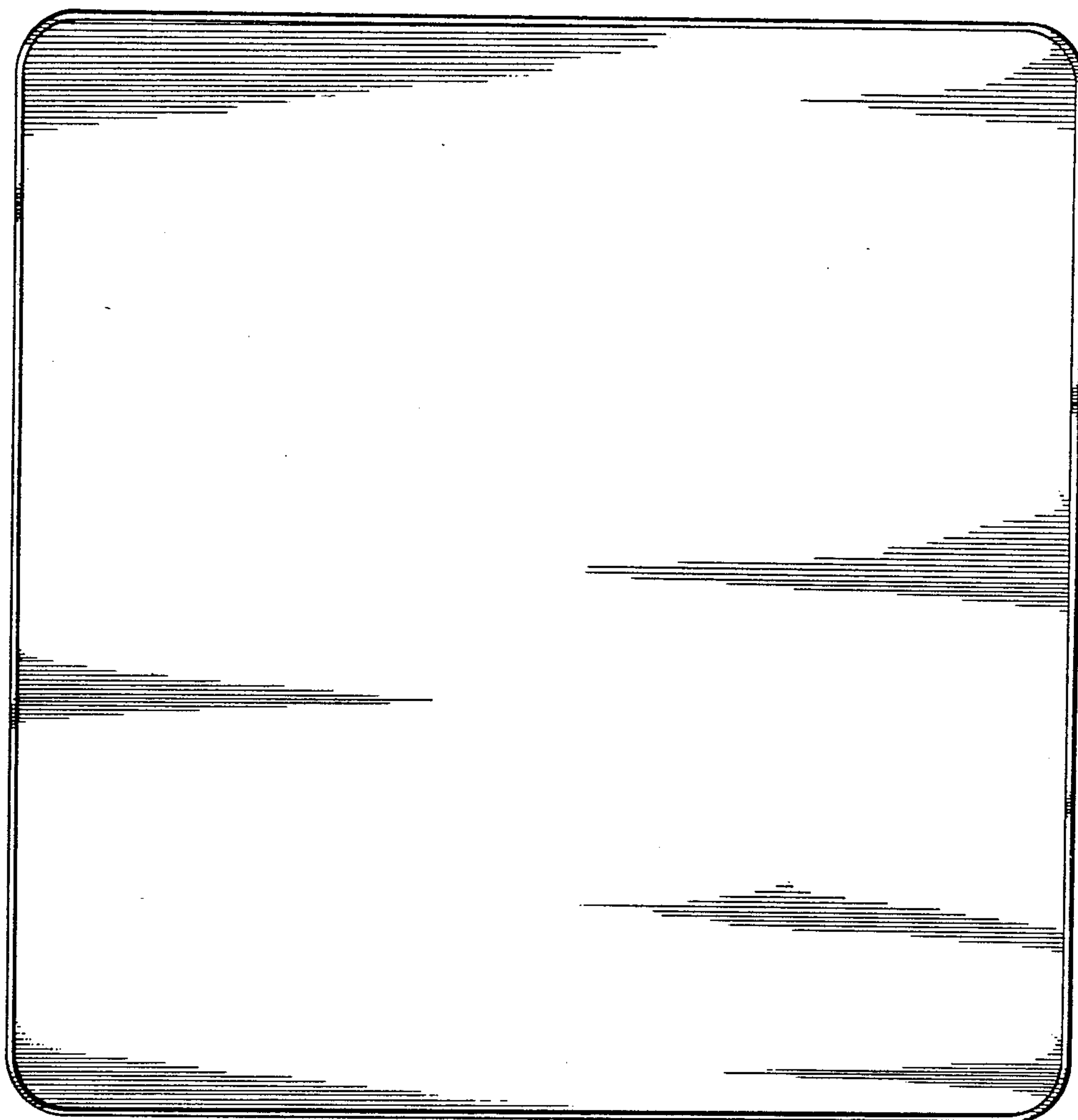


FIG. 4