

[54] FAN PEDESTAL BASE

[75] Inventor: Stanley J. Riske, Hanover, Mich.

[73] Assignee: Airmaster Fan Company, Jackson, Mich.

[\*\*] Term: 14 Years

[21] Appl. No.: 737,684

[22] Filed: May 28, 1985

[52] U.S. Cl. .... D23/411; D23/378; D6/498; D6/499

[58] Field of Search ..... D23/370, 378; D6/495, D6/498-499, 462; D21/86, 101; 98/1; 211/107, 112; 248/637, 676-678, 519, 424-425, 440-440.1, 188.7, 346-349, 524, 175; D11/130.1

[56] References Cited

U.S. PATENT DOCUMENTS

D. 209,935	1/1968	Dean	.....	D23/378 X
D. 219,820	2/1971	Wegner	.....	D6/498
D. 234,991	4/1975	Olivier	.....	D11/130.1
1,481,015	1/1924	Klein	.....	248/524
1,923,794	8/1933	Noland	.....	248/175

2,628,049	2/1953	Hansson	.....	248/44
2,919,878	1/1960	Nathan	.....	248/188.7 X
3,071,410	1/1963	Gaskins	.....	248/188.7 X
3,119,586	1/1964	Hoffman	.....	248/44
3,272,462	9/1966	Apple	.....	248/44
3,787,018	1/1974	Nathan	.....	248/188.7 X
3,937,434	2/1976	Tacke	.....	248/188.7 X

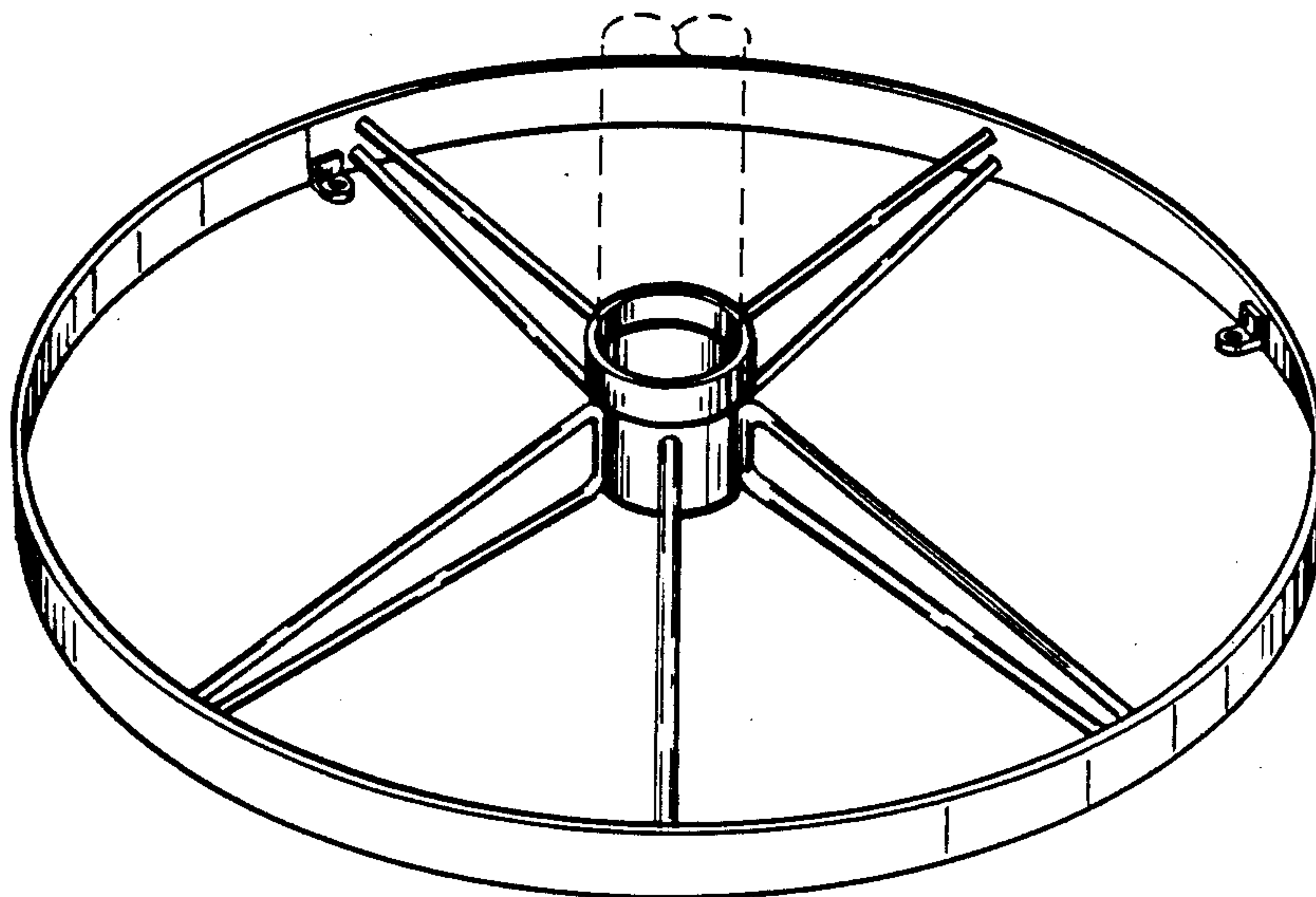
Primary Examiner—Wallace R. Burke  
Assistant Examiner—Brian N. Vinson  
Attorney, Agent, or Firm—Beaman & Beaman

[57] CLAIM

The ornamental design for a fan pedestal base, as shown and described.

DESCRIPTION

FIG. 1 is a top perspective view of a fan pedestal base showing my new design, the partial showing of a fan pedestal in broken lines being for illustrative purposes only and forming no part of the claimed design; FIG. 2 is a side elevational view thereof, the sides opposite and adjacent being substantially similar in appearance; FIG. 3 is a top plan view thereof; and FIG. 4 is a bottom plan view thereof.



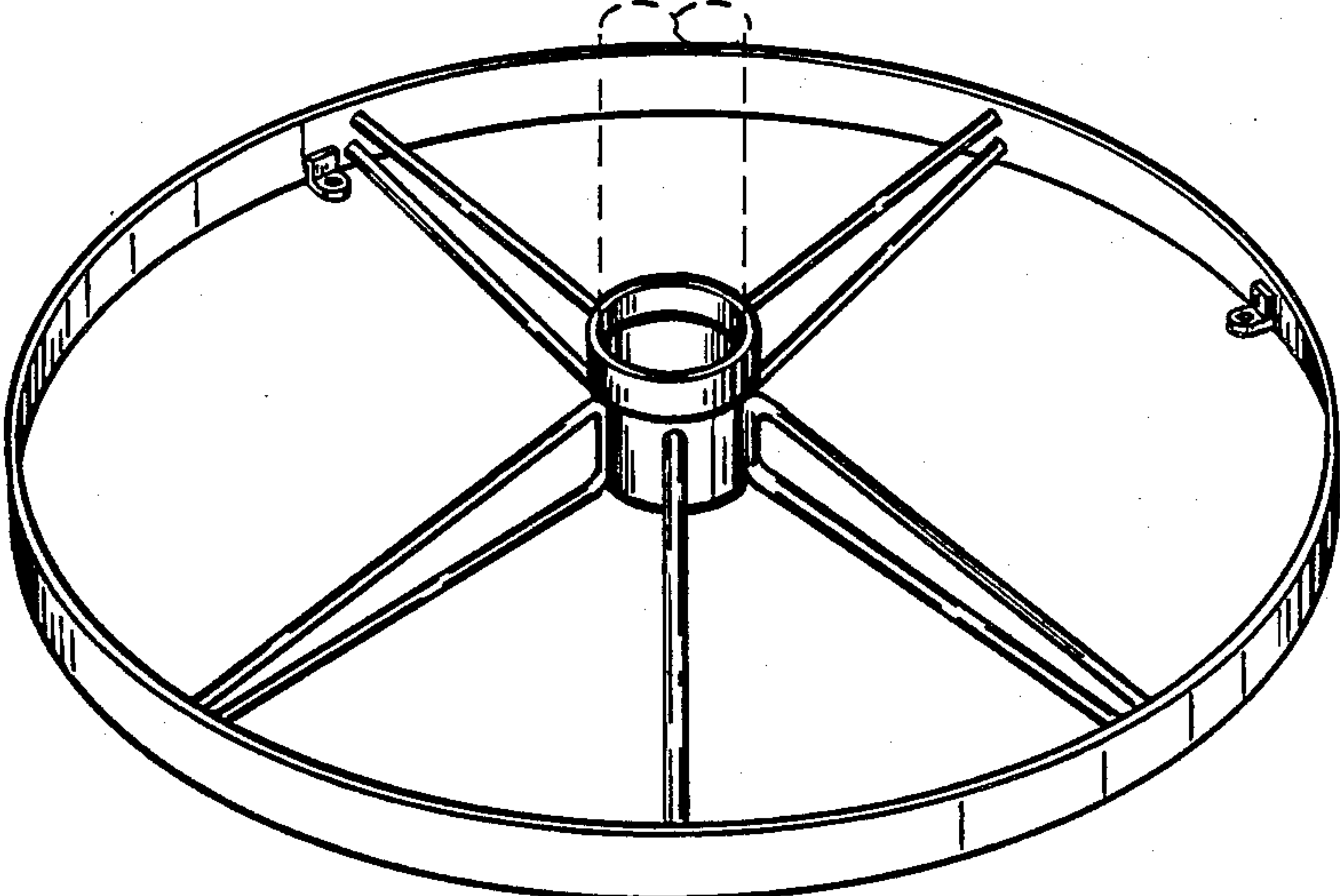


FIG 1

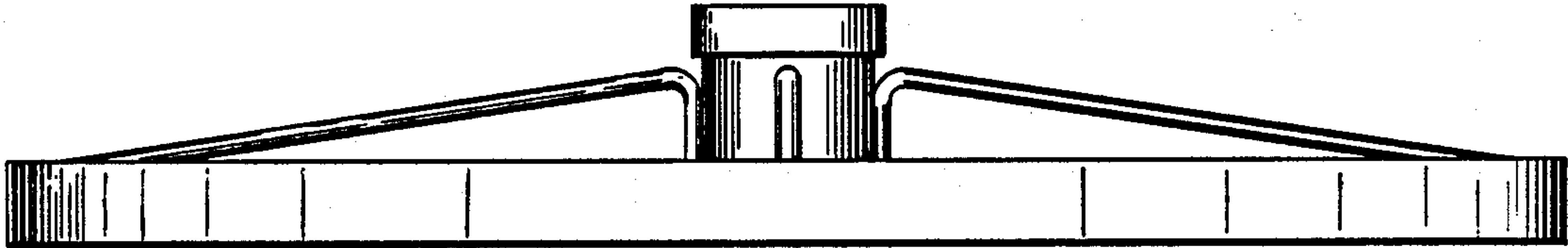


FIG 2

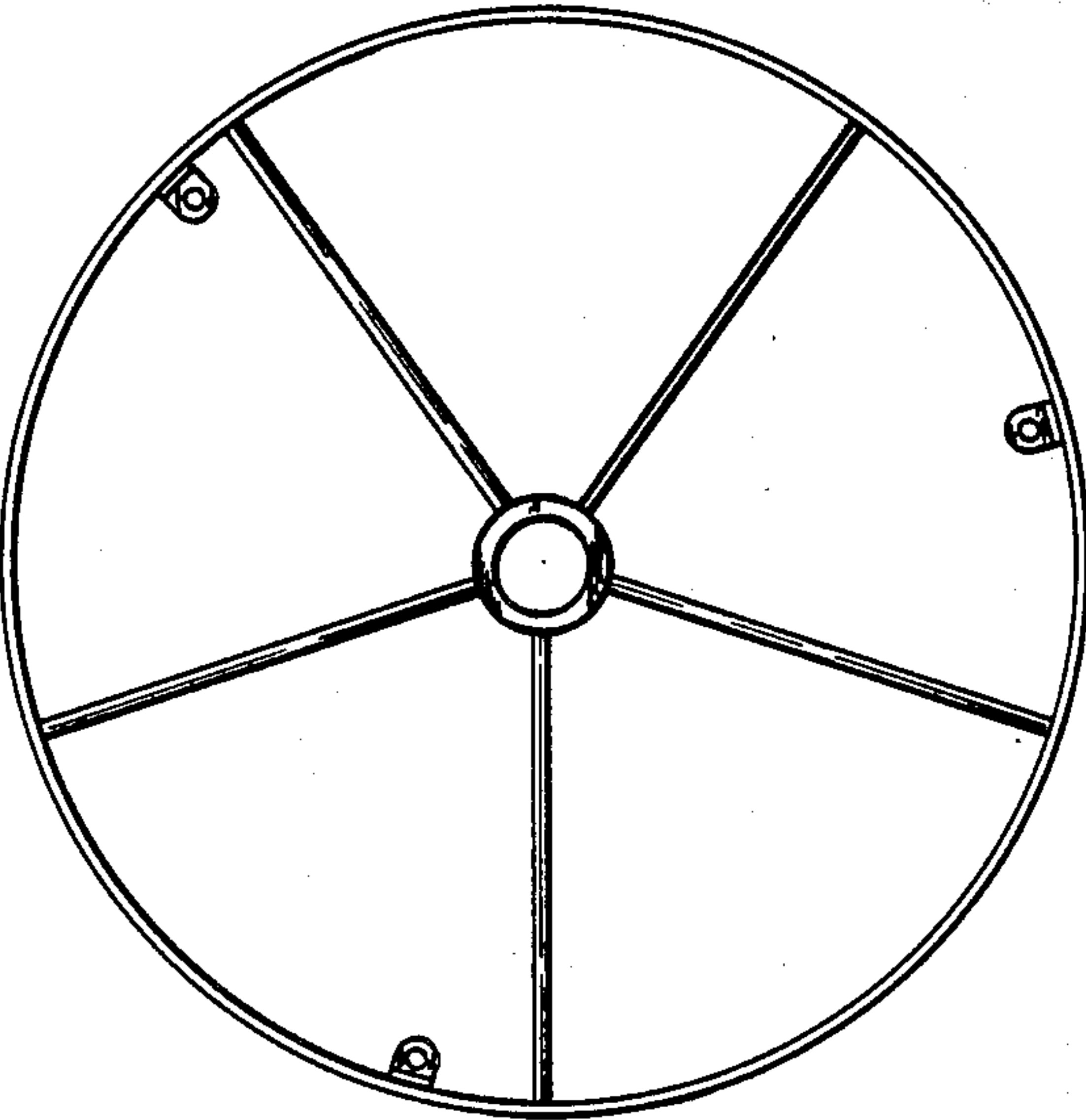


FIG 3

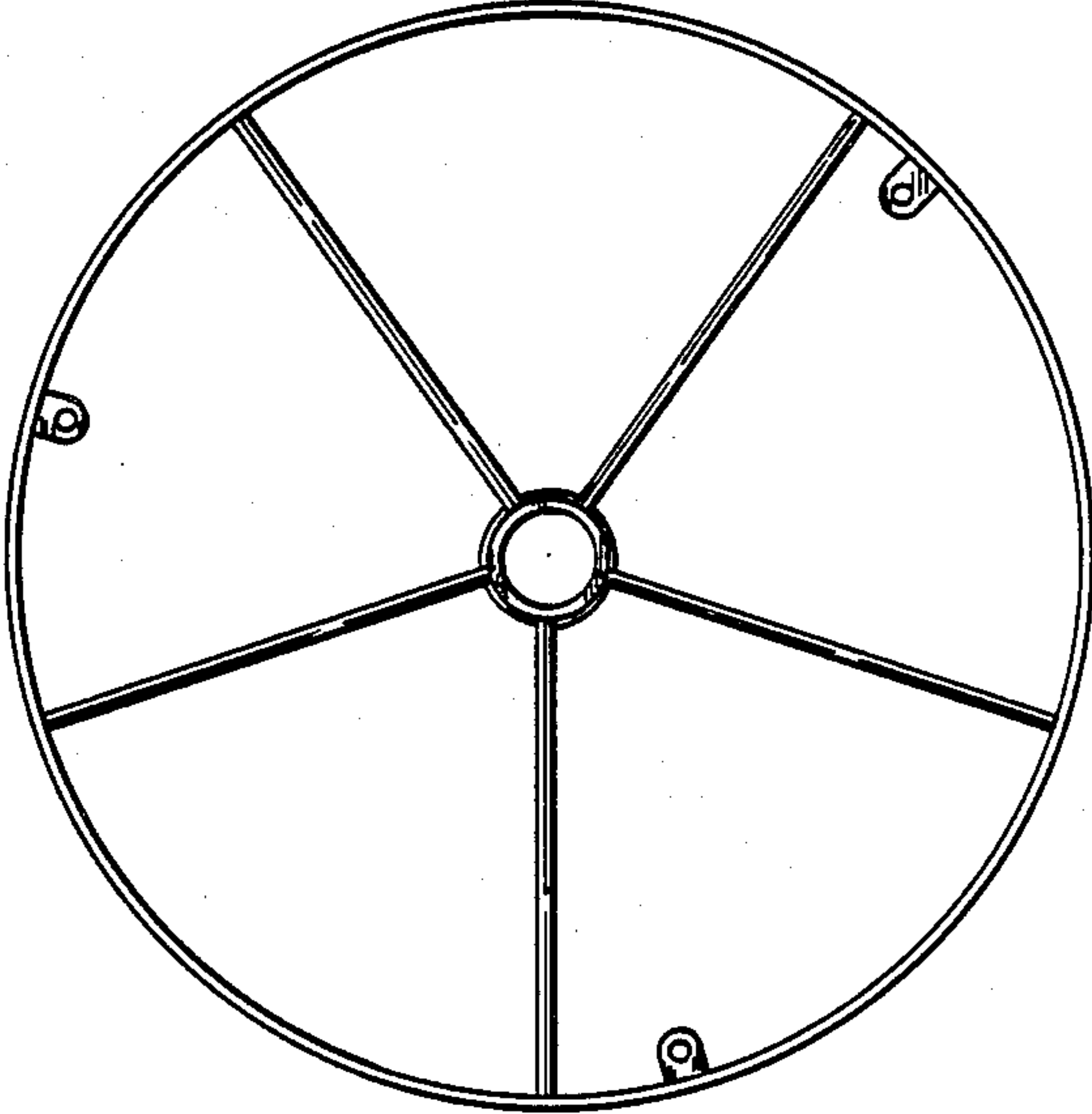


FIG 4