

United States Patent [19]

Senior

[11] Patent Number: Des. 296,127

[45] Date of Patent: ** Jun. 7, 1988

[54] ADJUSTABLE PAINT SPRAY GUN

[76] Inventor: Thomas Senior, 75 Nordica Dr.,
Croton, N.Y. 10520

[**] Term: 14 Years

[21] Appl. No.: 883,057

[22] Filed: Jul. 8, 1986

[52] U.S. Cl. D23/226

[58] Field of Search D23/213, 223-126,
D23/229-230; 239/152-154, 288.3, 288.5, 302,
332, 337, 525-528, DIG. 14, 310, 318

[56] **References Cited**

U.S. PATENT DOCUMENTS

D. 151,618 11/1948 Gimelli D23/223
D. 216,539 2/1970 Troth D23/225
D. 271,039 10/1983 Tropeano D23/213

2,986,344 5/1961 Knight 239/275 X
3,276,699 10/1966 Graveley 239/67 X

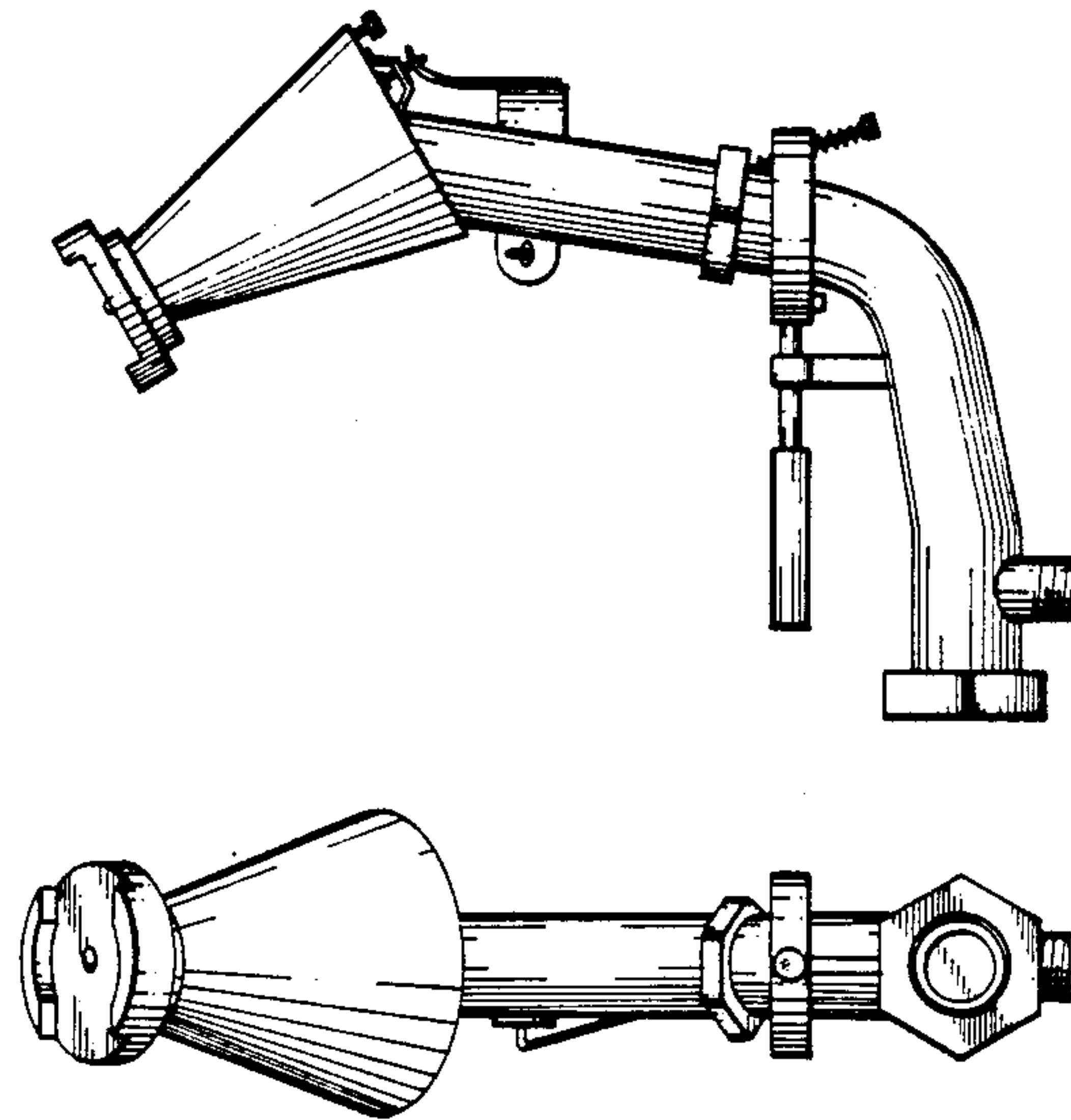
Primary Examiner—Wallace R. Burke
Assistant Examiner—Brian N. Vinson
Attorney, Agent, or Firm—Terry M. Gernstein

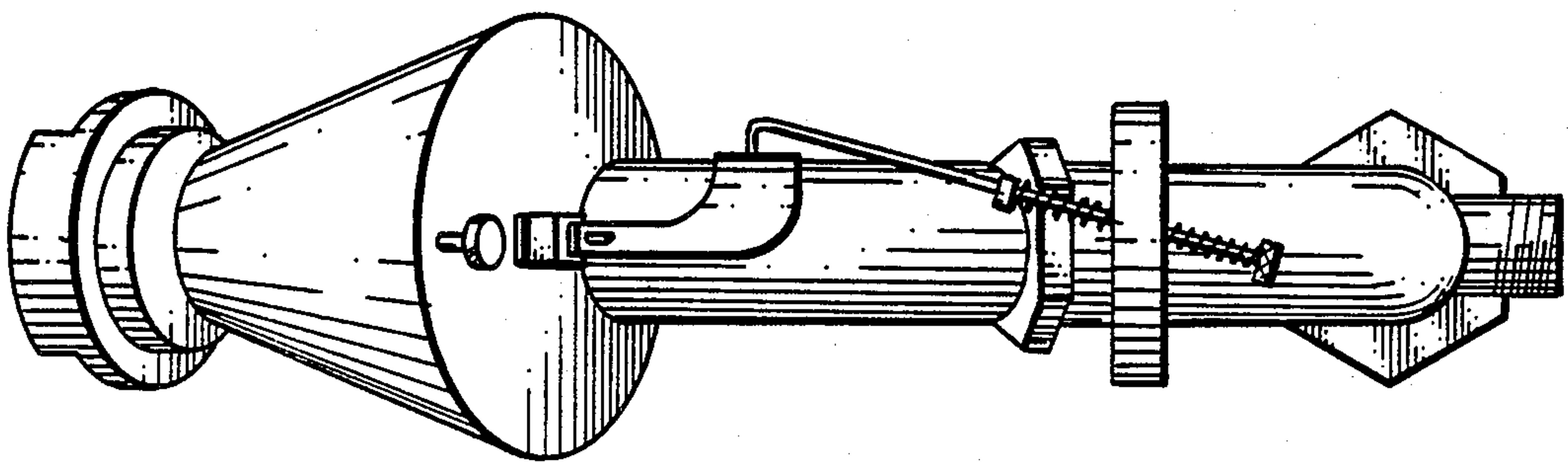
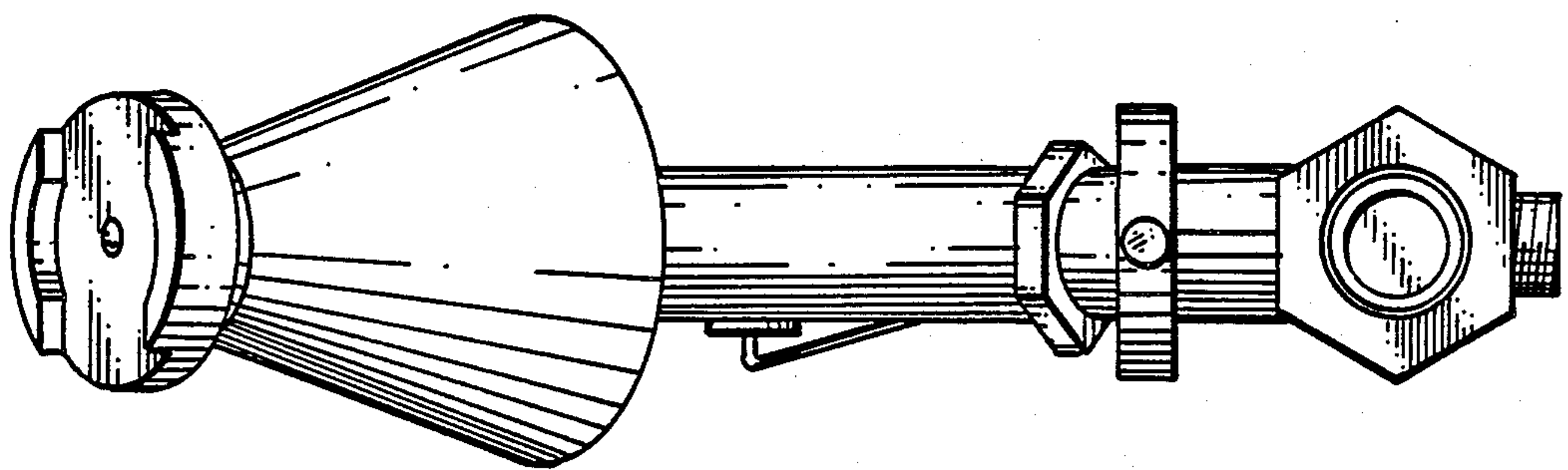
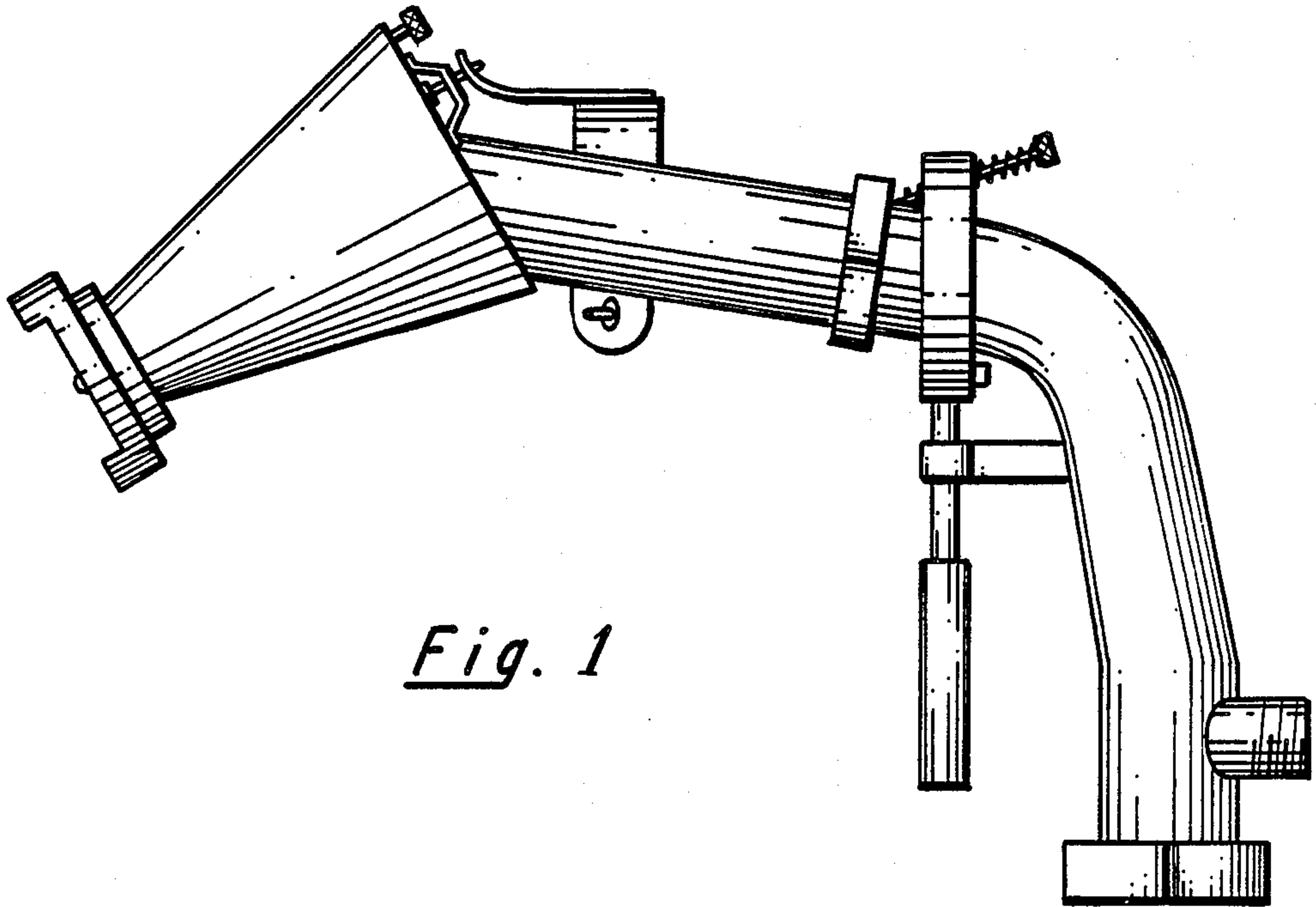
[57] **CLAIM**

The ornamental design for an adjustable paint spray gun, as shown and described.

DESCRIPTION

FIG. 1 is a right side elevational view of an adjustable paint spray gun showing my new design, the left side being substantially similar in appearance;
FIG. 2 is a bottom plan view thereof;
FIG. 3 is a top plan view thereof;
FIG. 4 is a rear end elevational view thereof; and
FIG. 5 is a front end elevational view thereof.





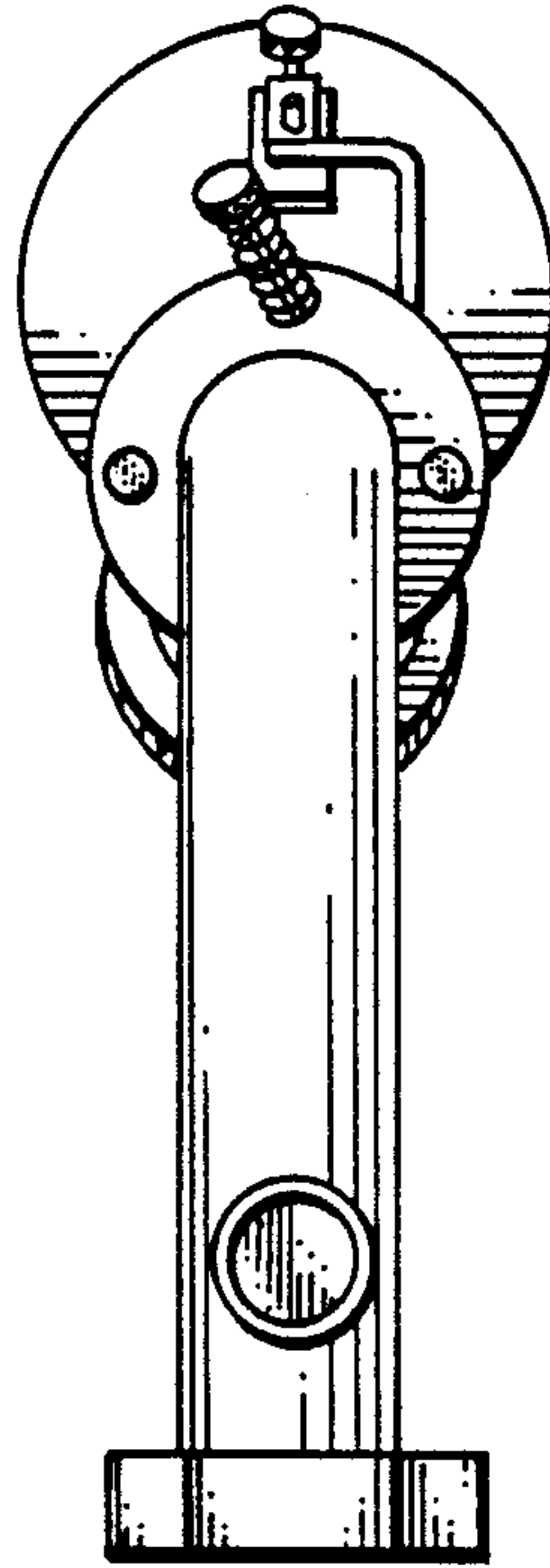


Fig. 4

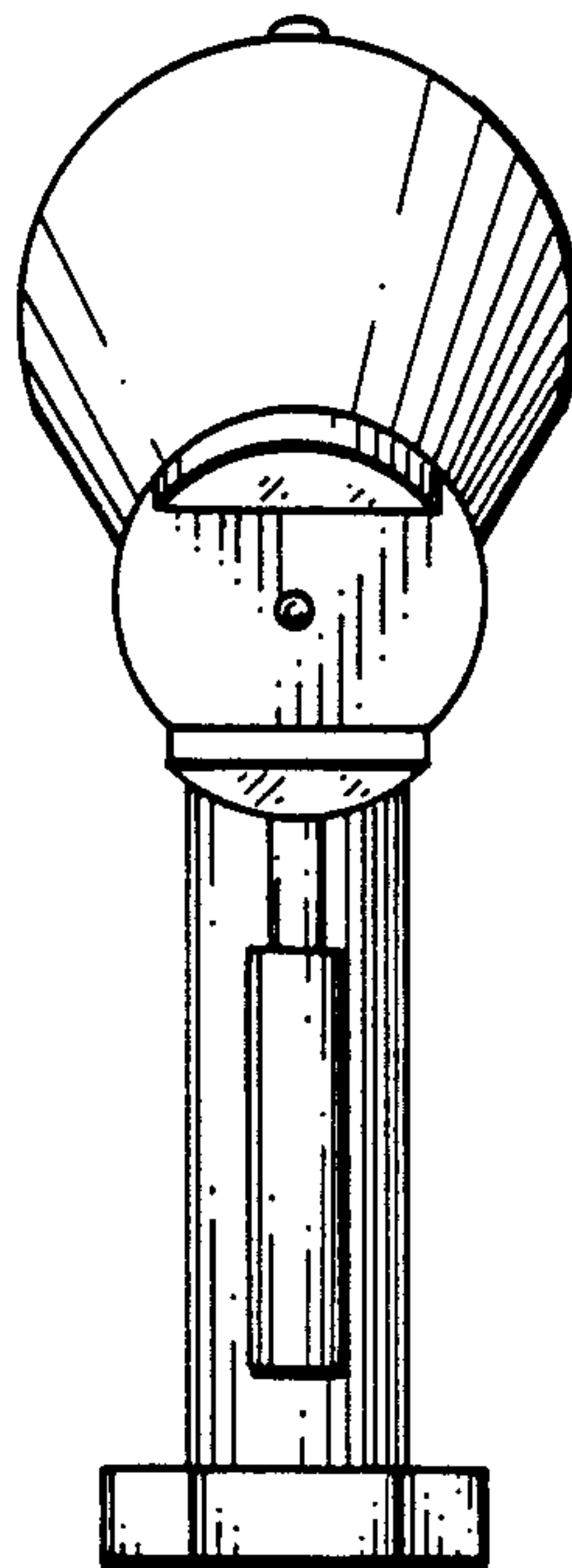


Fig. 5