

United States Patent [19]

Brace

[11] Patent Number: Des. 296,120

[45] Date of Patent: ** Jun. 7, 1988

[54] PUTTER HEAD
[75] Inventor: Jack L. Brace, Bryan, Ohio
[73] Assignee: Bryan Die Cast Products, Inc., Bryan, Ohio
[**] Term: 14 Years
[21] Appl. No.: 113,189
[22] Filed: Oct. 23, 1987
[52] U.S. Cl. D21/219
[58] Field of Search D21/217, 219;
273/163 R, 167-175

[56] **References Cited**
U.S. PATENT DOCUMENTS
D. 235,893 7/1975 Becker D21/219

D. 240,060 5/1976 Vella D21/219
D. 255,373 6/1980 Solheim D21/219

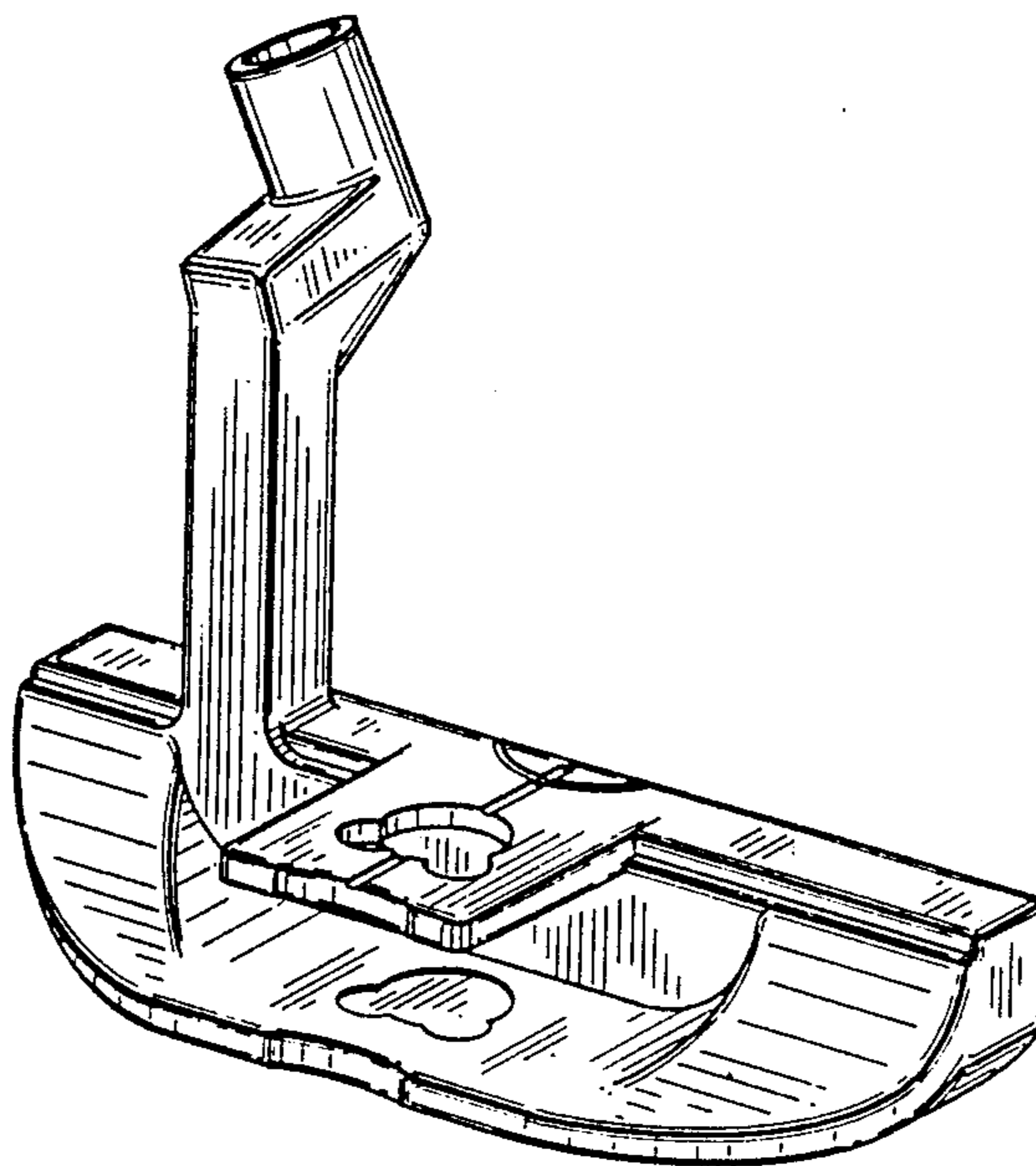
Primary Examiner—Melvin B. Feifer
Attorney, Agent, or Firm—MacMillan, Sobanski & Todd

[57] CLAIM

The ornamental design for a putter head, as shown.

DESCRIPTION

FIG. 1 is a perspective view of a putter head embodying my new design.
FIG. 2 is a front end elevational view thereof.
FIG. 3 is a top plan view thereof.
FIG. 4 is a right side elevational view thereof.
FIG. 5 is a left side elevational view thereof.
FIG. 6 is a rear end elevational view thereof.
FIG. 7 is a bottom plan view thereof.



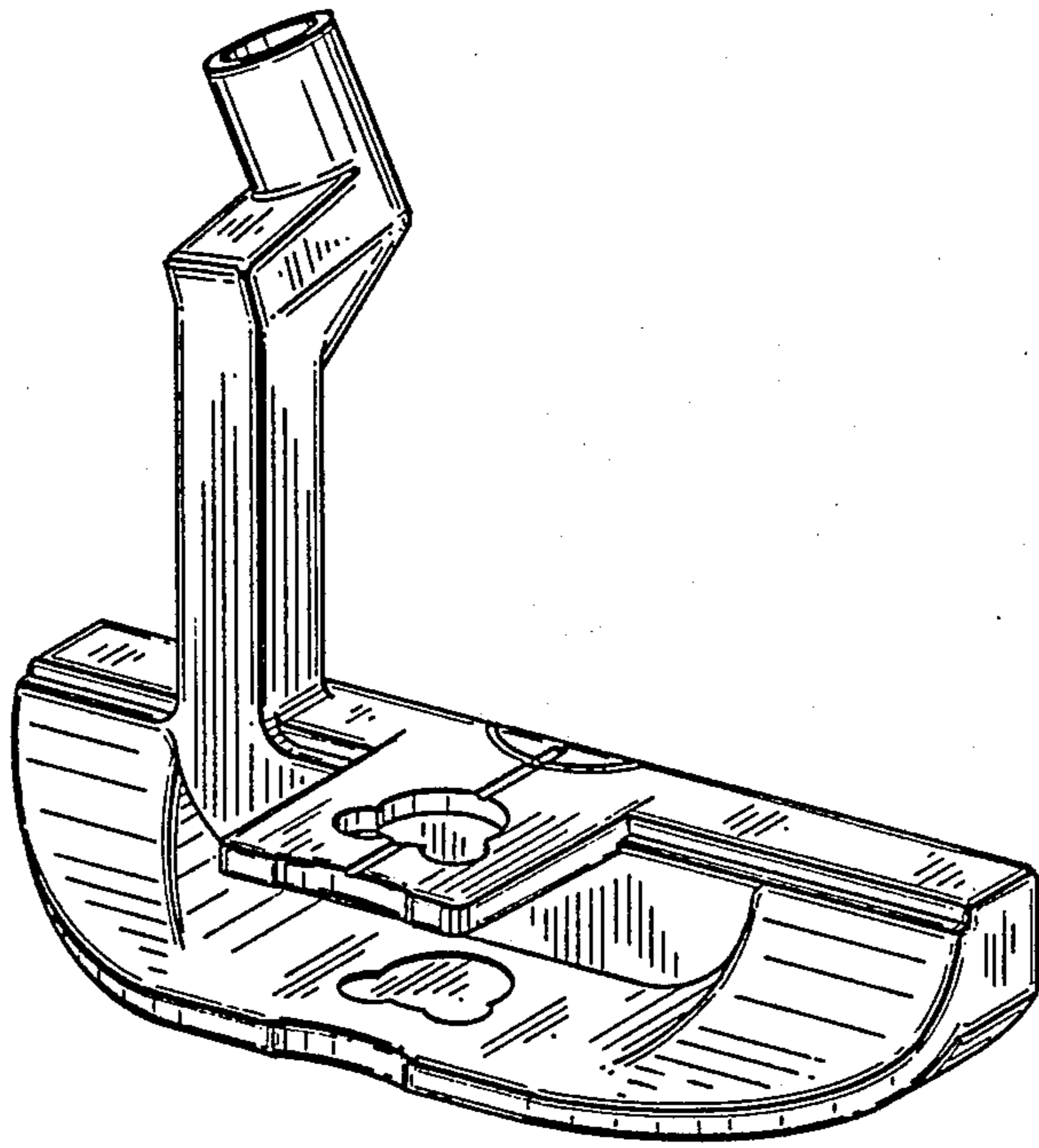


FIG. 1

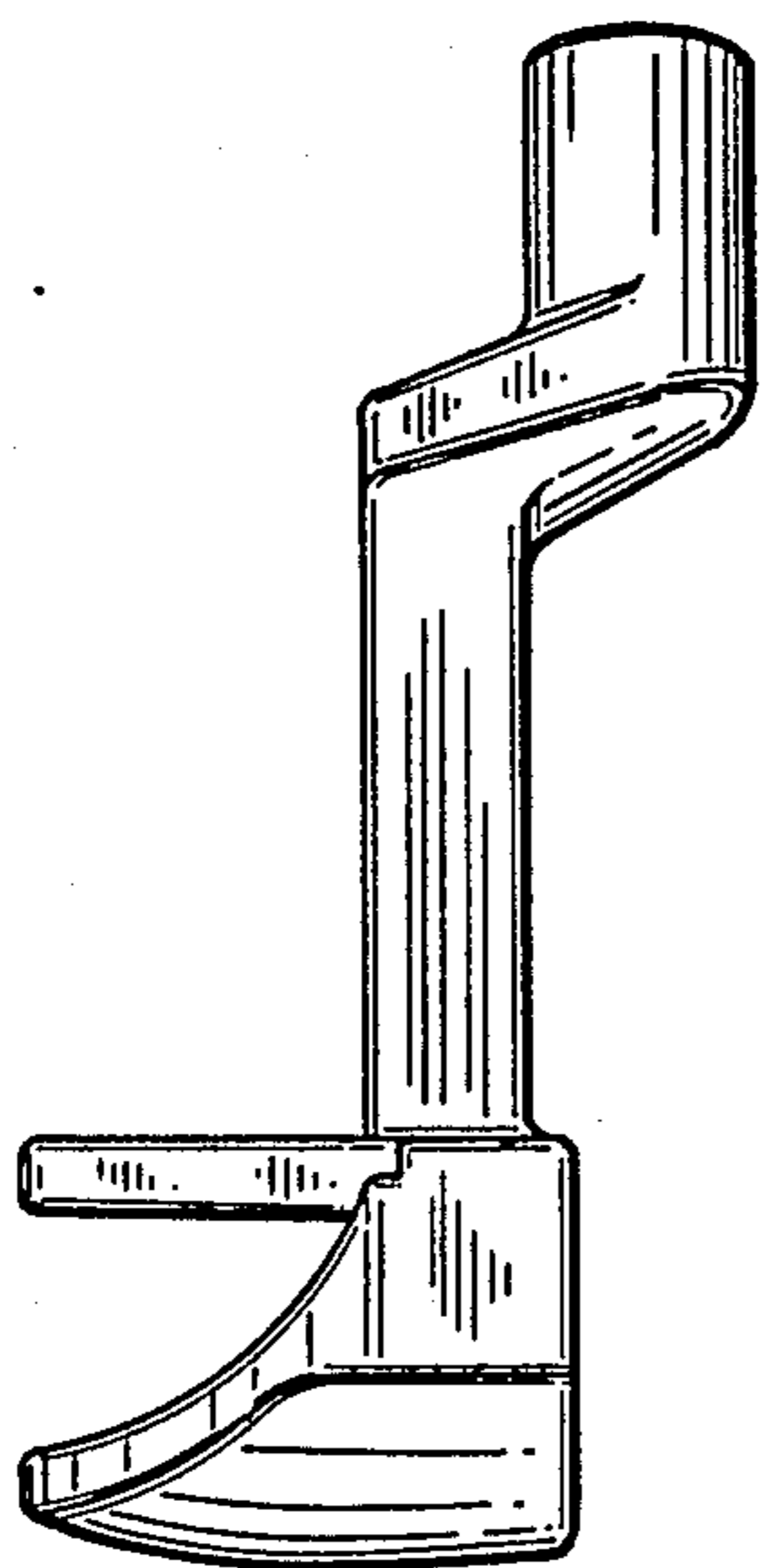


FIG. 2

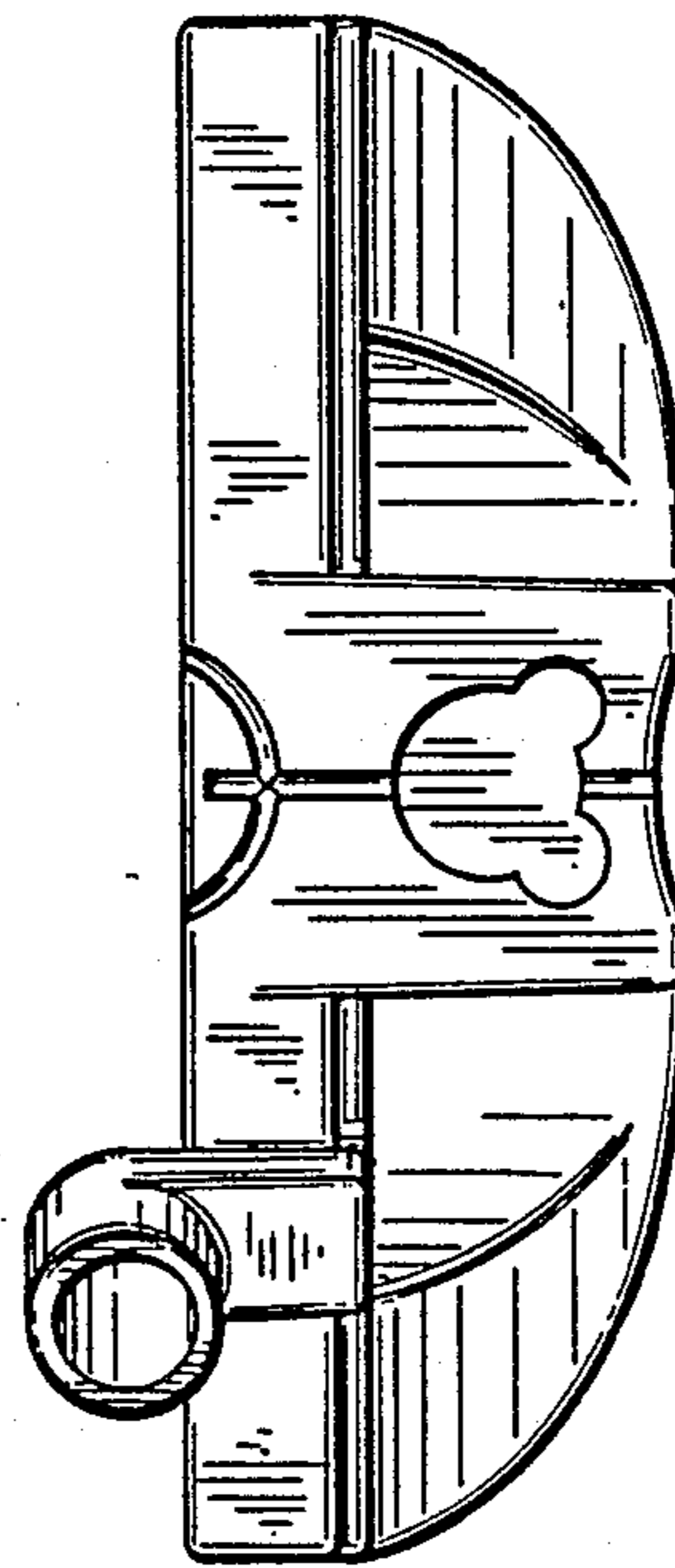


FIG. 3

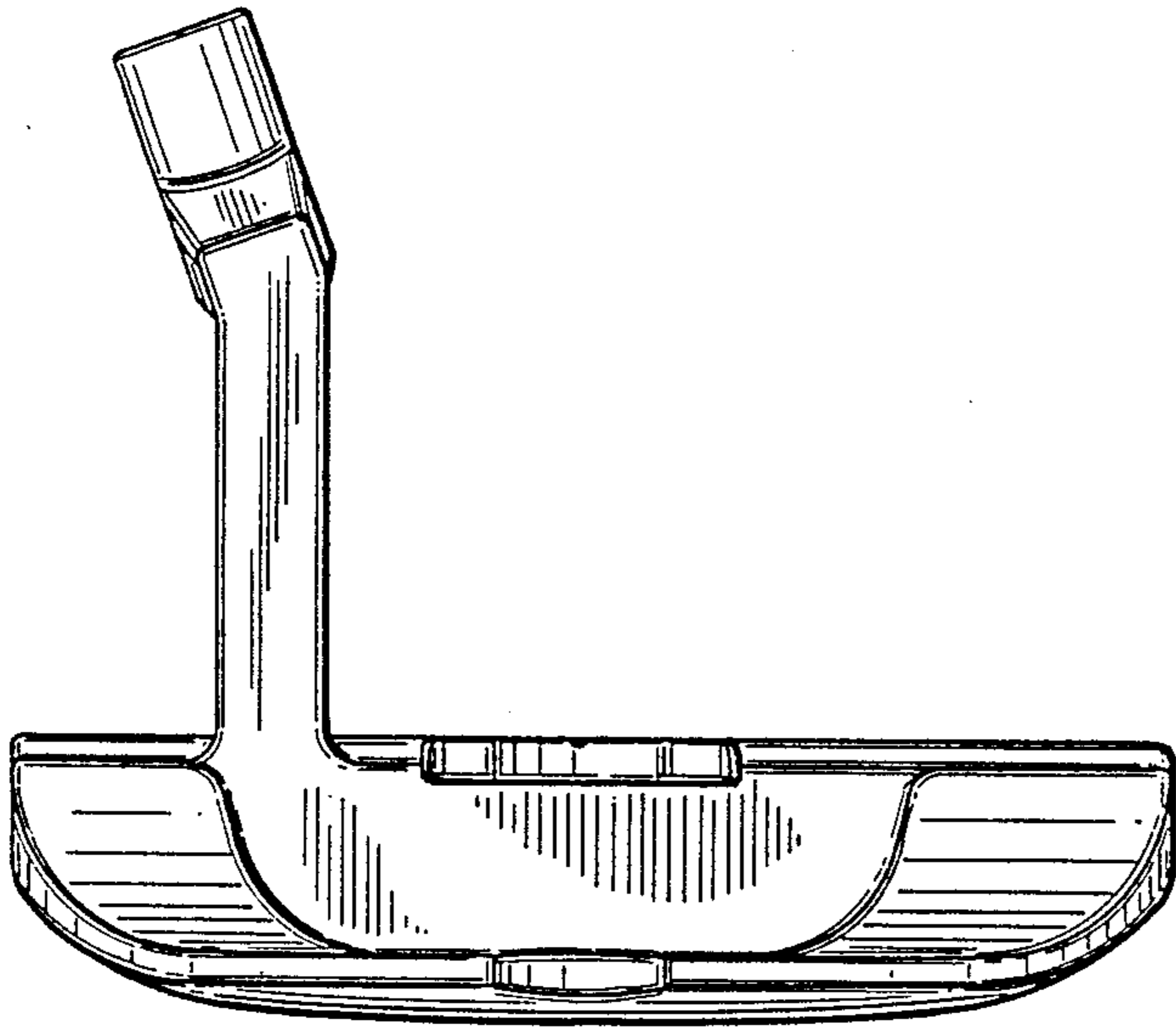


FIG. 4

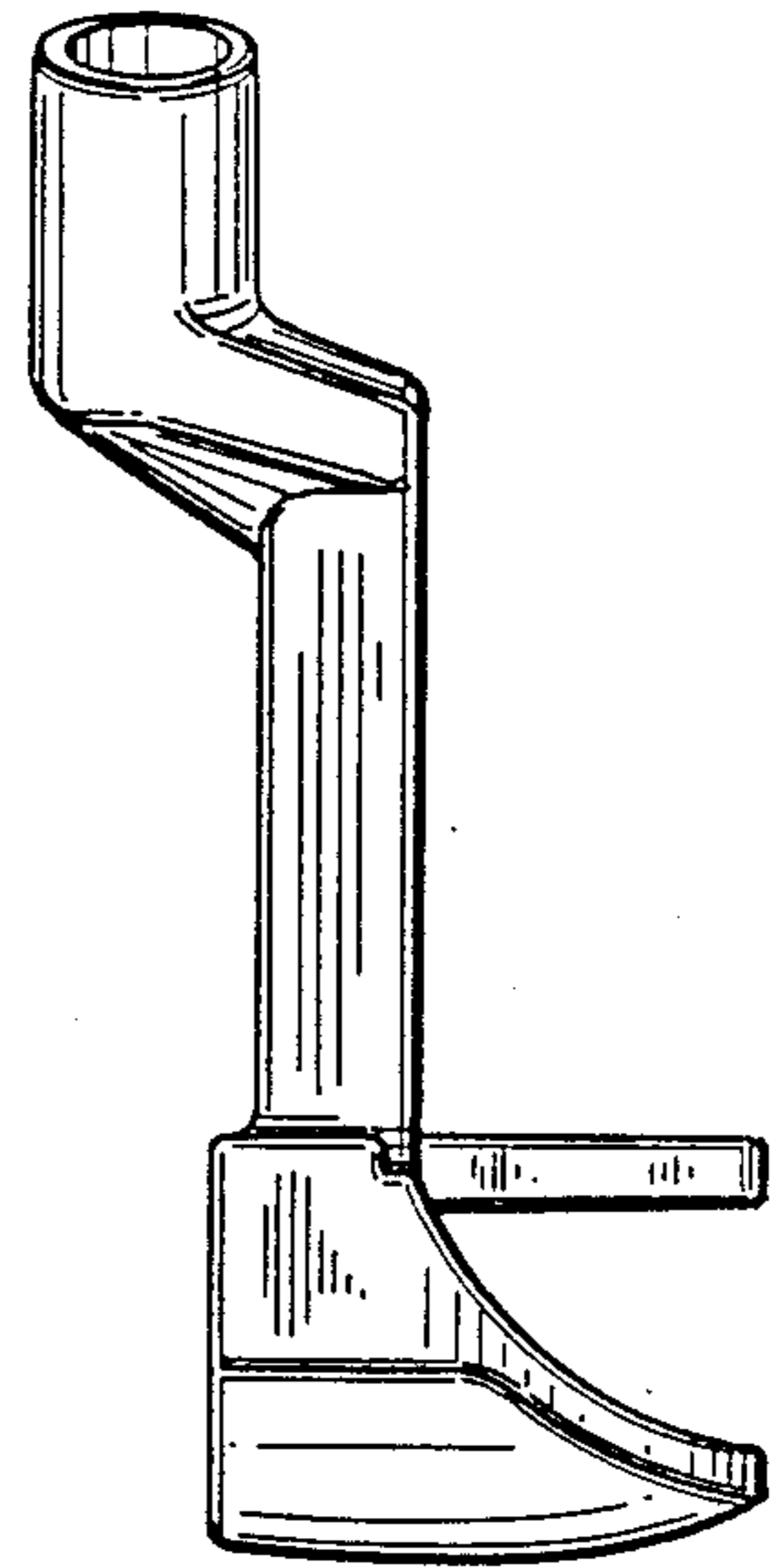


FIG. 6

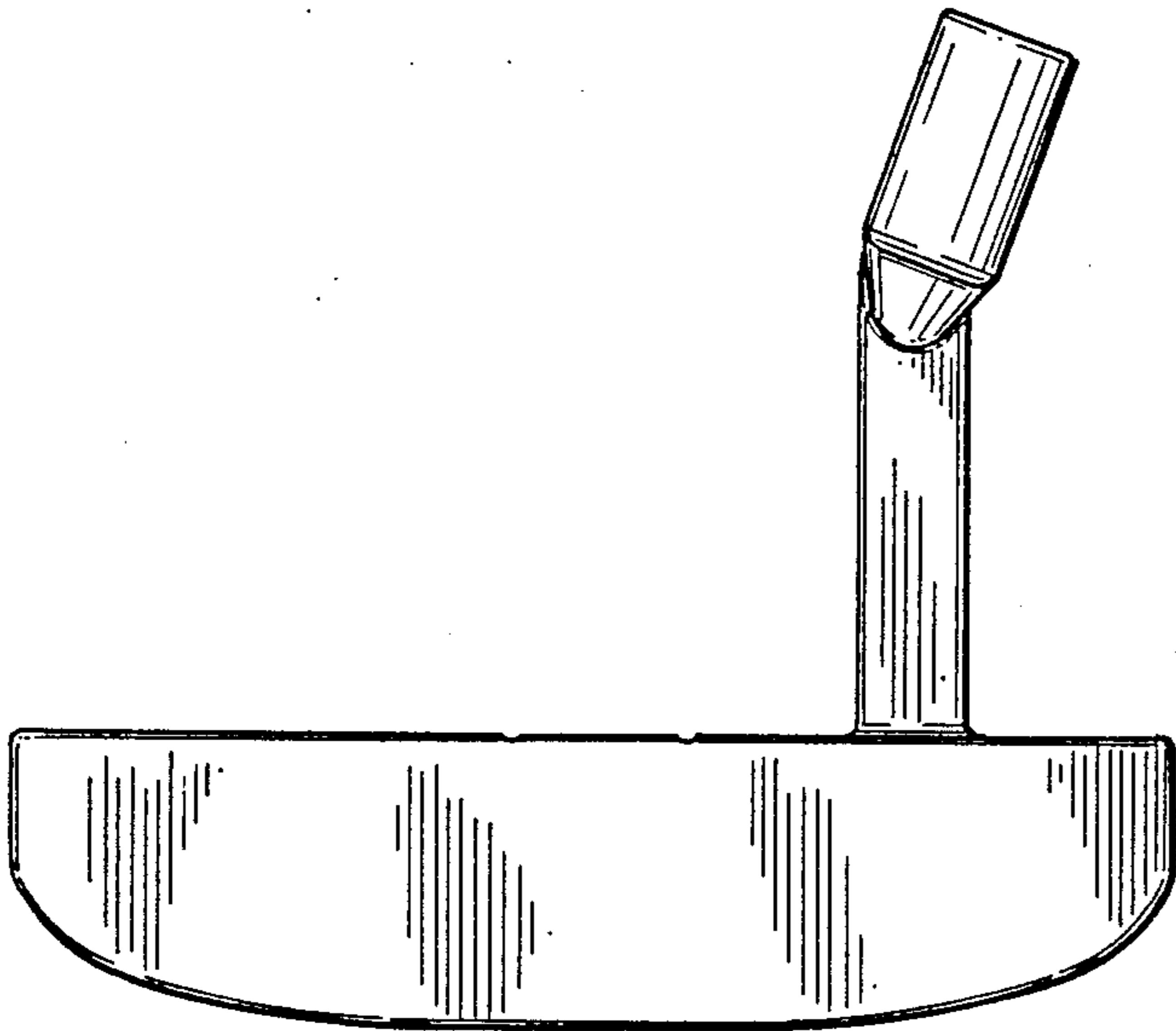


FIG. 5

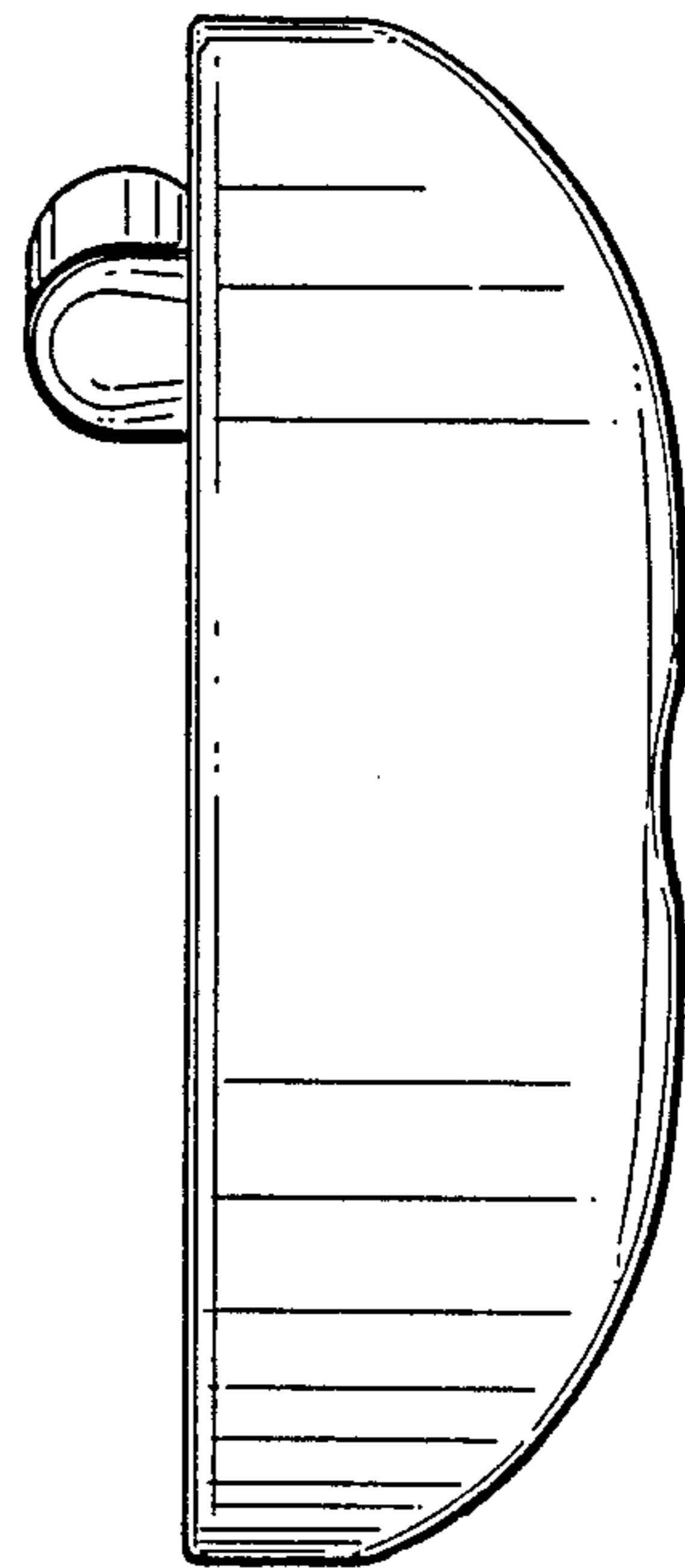


FIG. 7