

[54] TOY VEHICLE

[75] Inventor: Akira Takasaka, Tokyo, Japan

[73] Assignee: Tomy Kogyo Co., Inc., Tokyo, Japan

[**] Term: 14 Years

[21] Appl. No.: 846,985

[22] Filed: Mar. 26, 1986

[30] Foreign Application Priority Data

Oct. 2, 1985 [JP] Japan 60-41394
 [52] U.S. Cl. D21/134
 [58] Field of Search D21/128-140;
 D12/97, 96; 446/465, 466, 468, 469, 470, 471,
 434

[56]

References Cited

U.S. PATENT DOCUMENTS

D. 229,403 11/1973 Ford et al. D12/97
 D. 291,816 9/1987 Bollinger et al. D21/134

OTHER PUBLICATIONS

Hong Kong Toys-1985, p. 224, "Racing Truck,".

Primary Examiner—Charles A. Rademaker
 Attorney, Agent, or Firm—Staas & Halsey

[57]

CLAIM

The ornamental design for a toy vehicle, as shown.

DESCRIPTION

FIG. 1 is a front elevational view of a toy vehicle showing my new design;
 FIG. 2 is a rear elevational view thereof;
 FIG. 3 is a right side elevational view thereof;
 FIG. 4 is a left side elevational view thereof;
 FIG. 5 is a top plan view thereof; and
 FIG. 6 is a bottom plan view thereof.

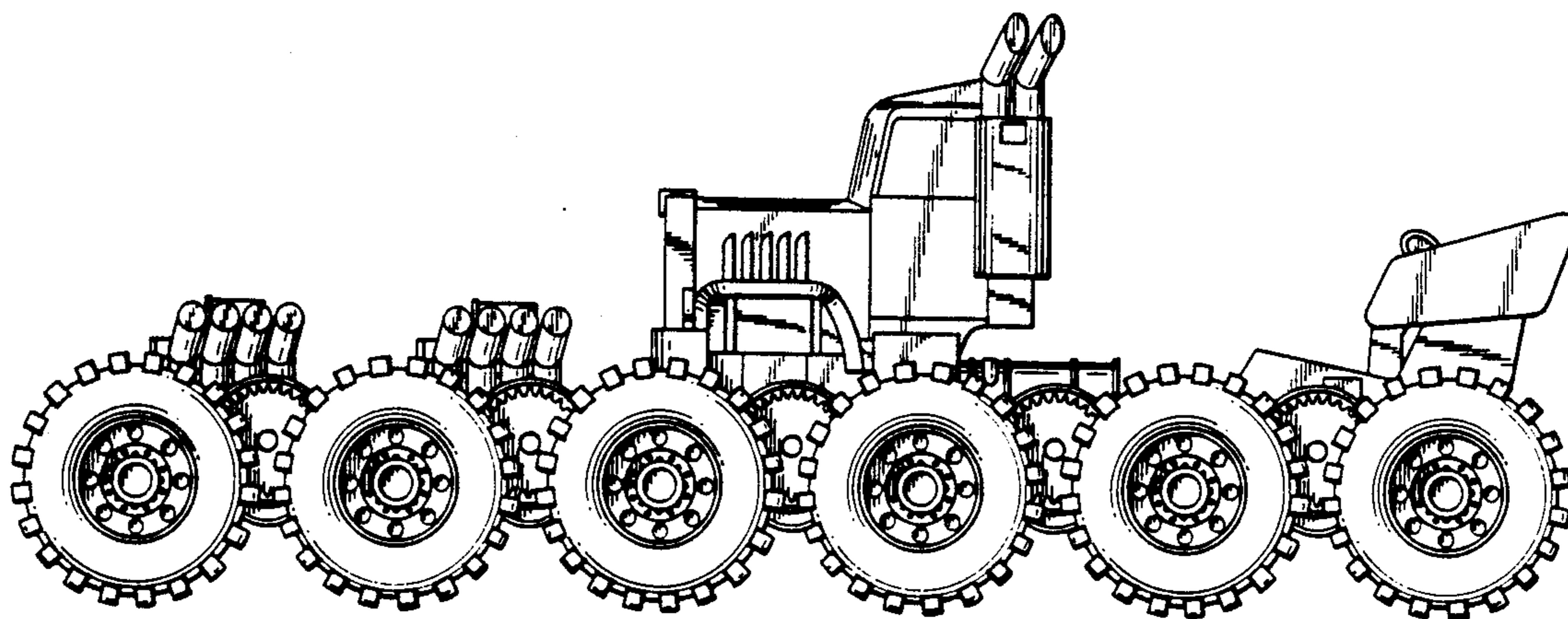


FIG. 1.

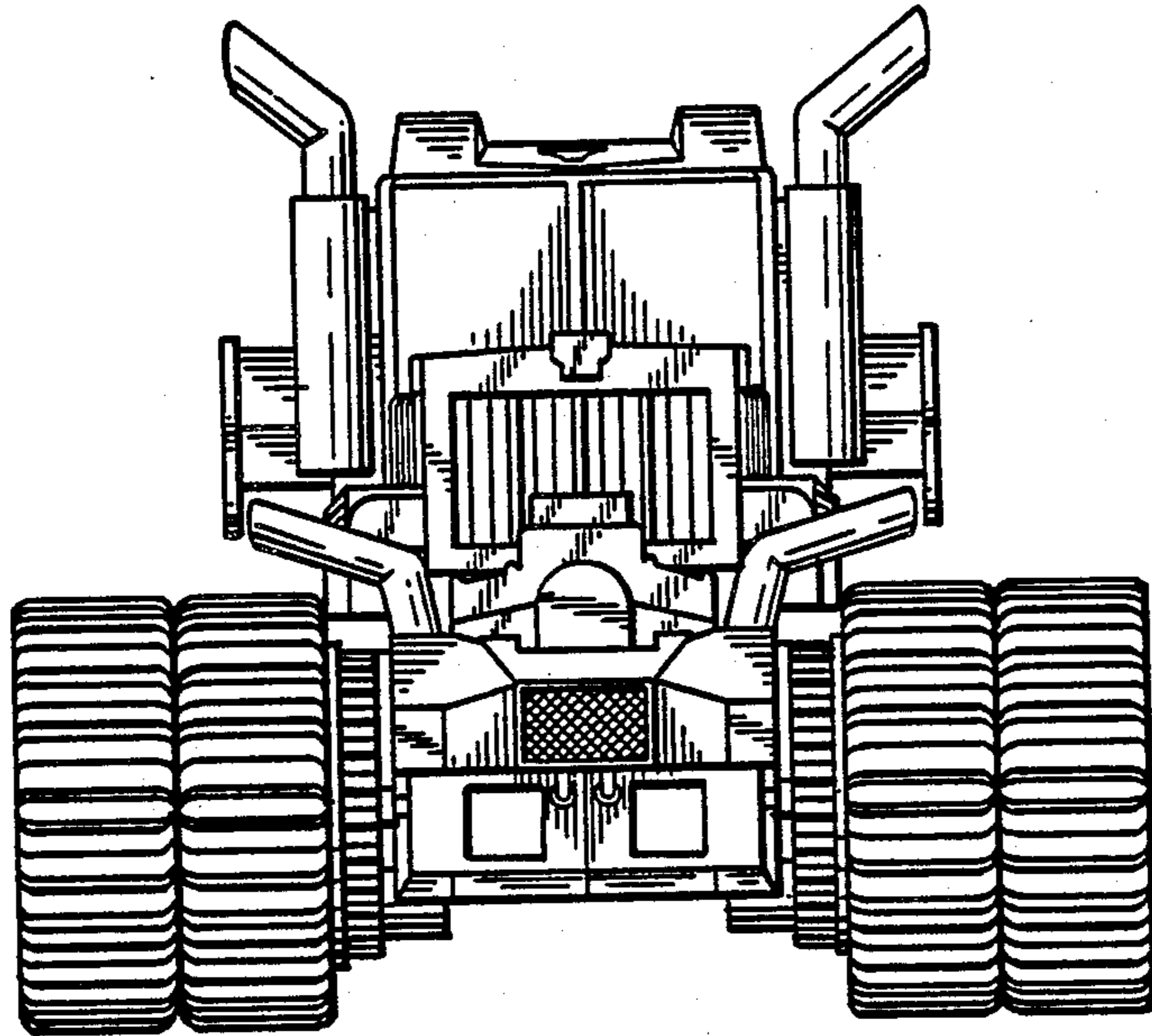
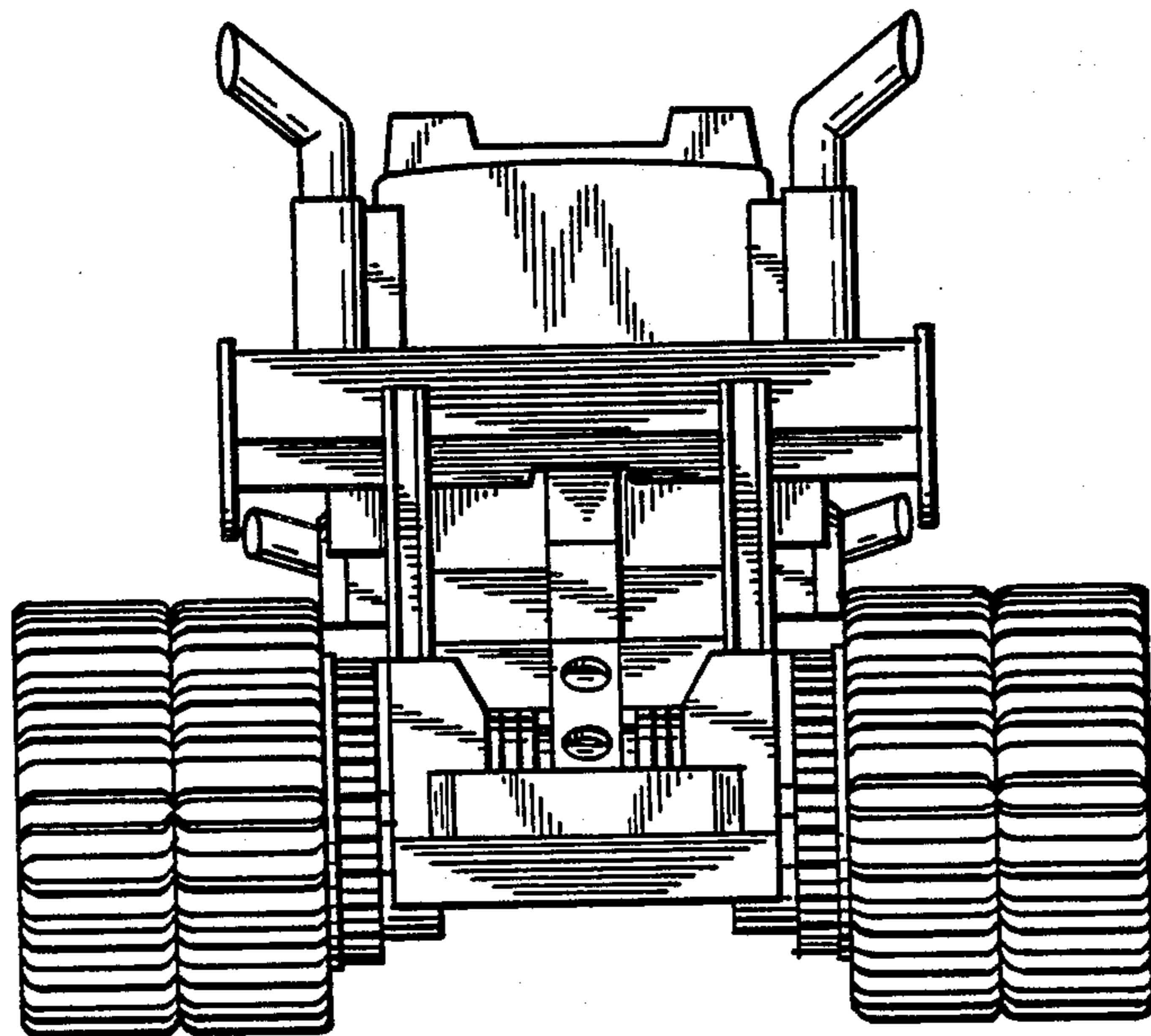


FIG. 2.



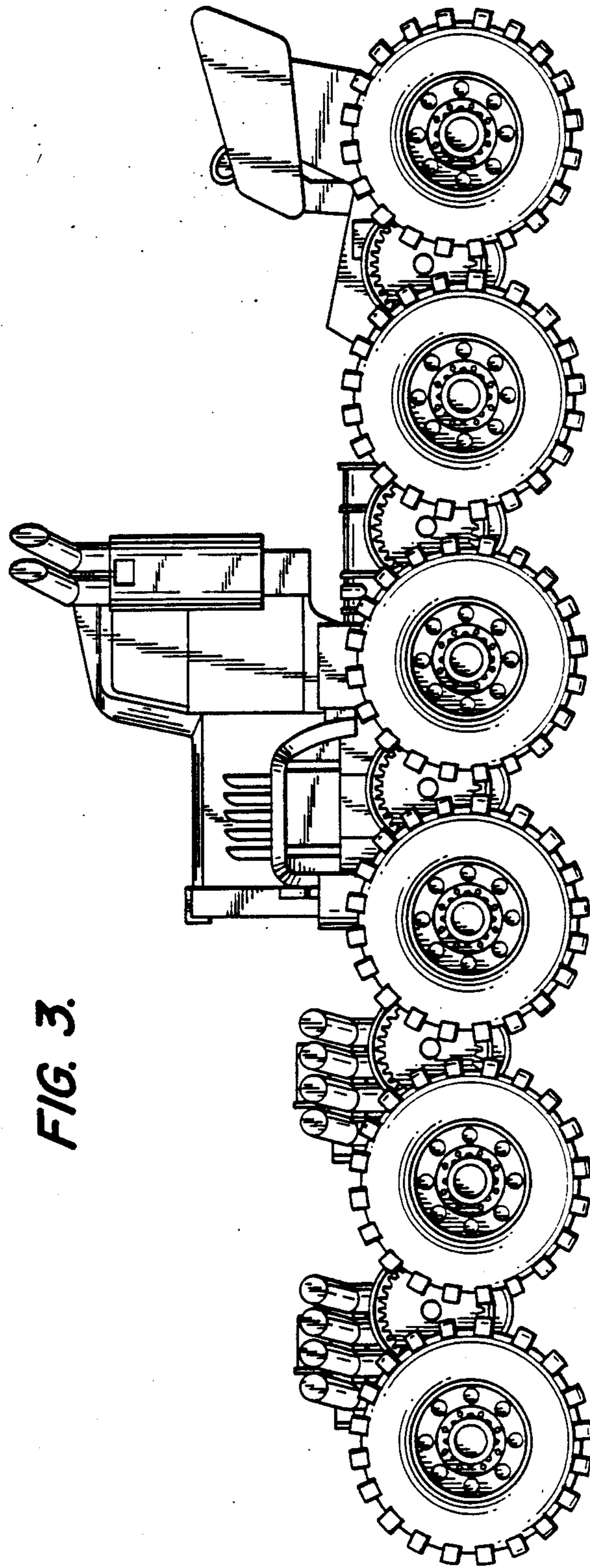


FIG. 3.

FIG. 4.

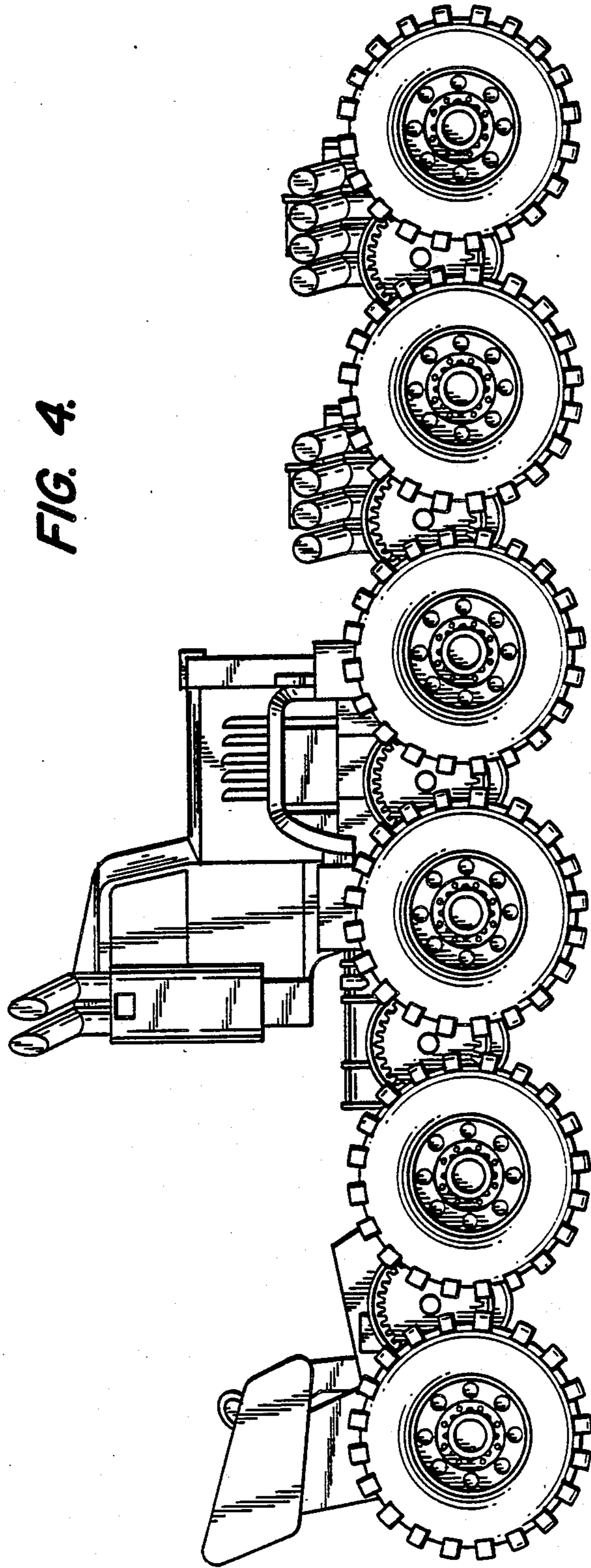


FIG. 5.

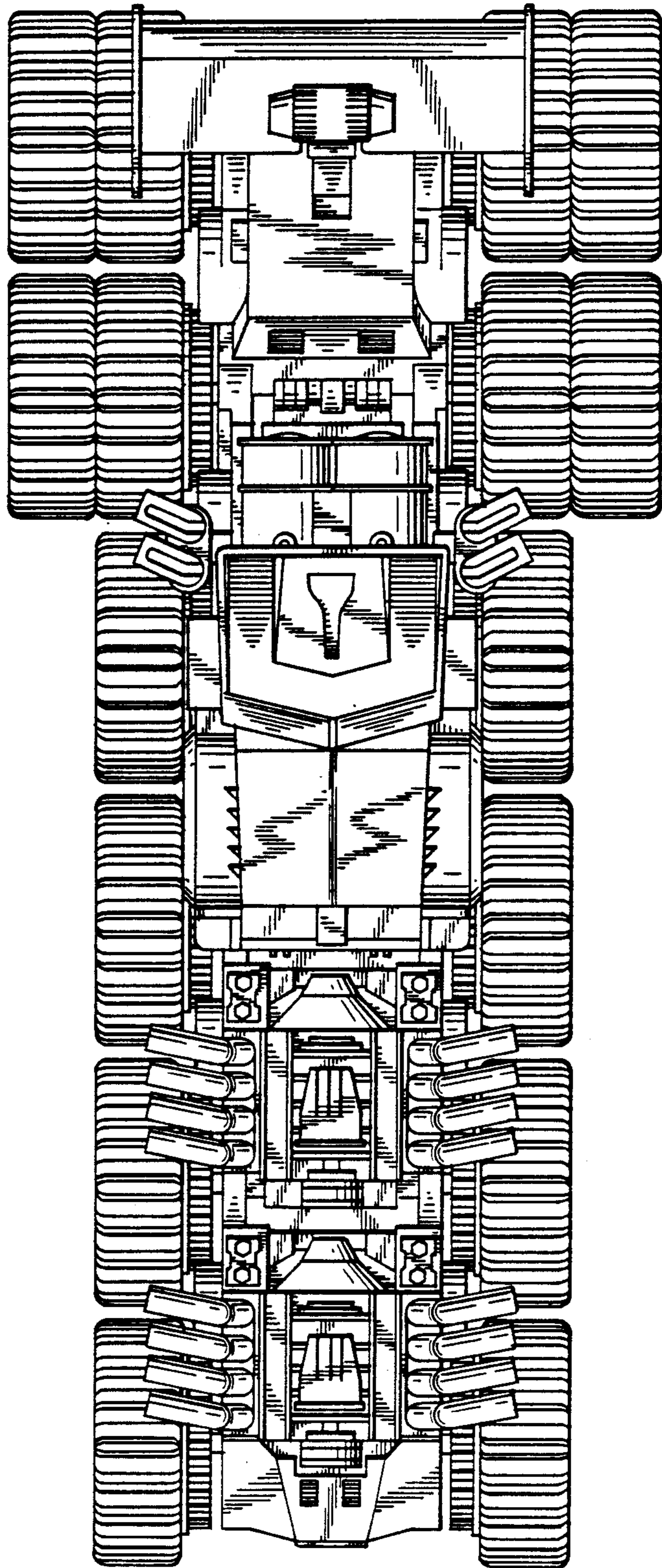


FIG. 6.

