

United States Patent [19]

Klodt

[11] Patent Number: **Des. 296,116**

[45] Date of Patent: **** Jun. 7, 1988**

[54] **DESK ORGANIZER OR THE LIKE**

[75] Inventor: **Gerald J. Klodt, Madison, Wis.**

[73] Assignee: **W. T. Rogers Company, Madison, Wis.**

[**] Term: **14 Years**

[21] Appl. No.: **782,440**

[22] Filed: **Oct. 1, 1985**

[52] U.S. Cl. **D19/85**

[58] Field of Search **D6/449, 470, 471, 475, D6/476; D9/341, 424; D19/75, 78, 85; D28/73, 76; 211/60.1, 59.2, 59.4; 312/45, 50, 71, 72; 221/191, 193, 194, 195, 196**

[56] **References Cited**

U.S. PATENT DOCUMENTS

D. 201,716 7/1965 Franklin D19/92

D. 267,959 2/1983 Cheung D19/91
D. 272,025 1/1984 Goutchat D19/78

Primary Examiner—Charles A. Rademaker
Attorney, Agent, or Firm—Isaksen, Lathrop, Esch, Hart & Clark

[57] CLAIM

The ornamental design for a desk organizer or the like, as shown and described.

DESCRIPTION

FIG. 1 is a perspective view of a desk organizer showing my new design;
FIG. 2 is a front elevational view thereof;
FIG. 3 is a rear elevational view thereof;
FIG. 4 is a right side elevational view thereof, the side opposite being a mirror image;
FIG. 5 is a top plan view thereof; and
FIG. 6 is a bottom plan view thereof.

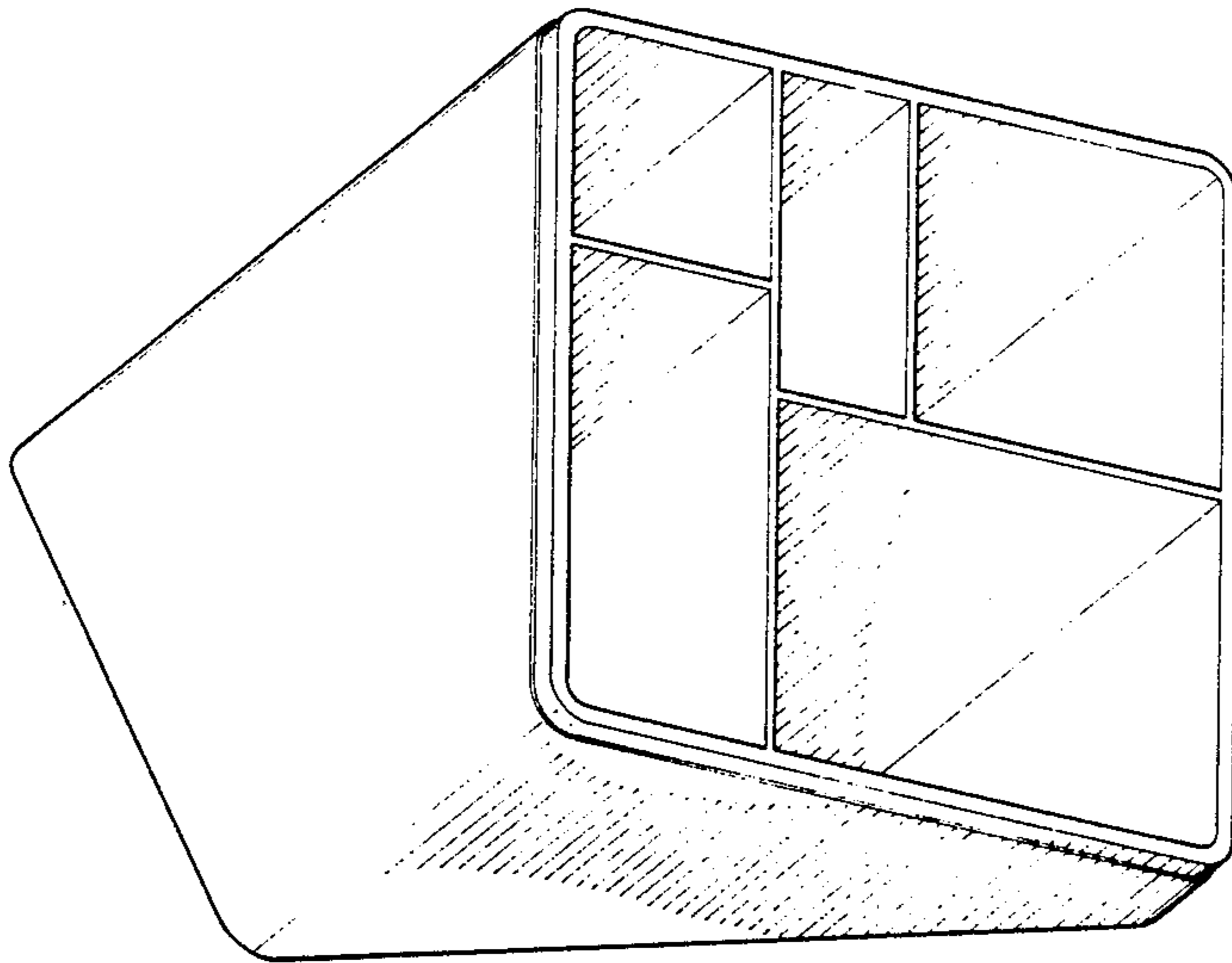


FIG. 1

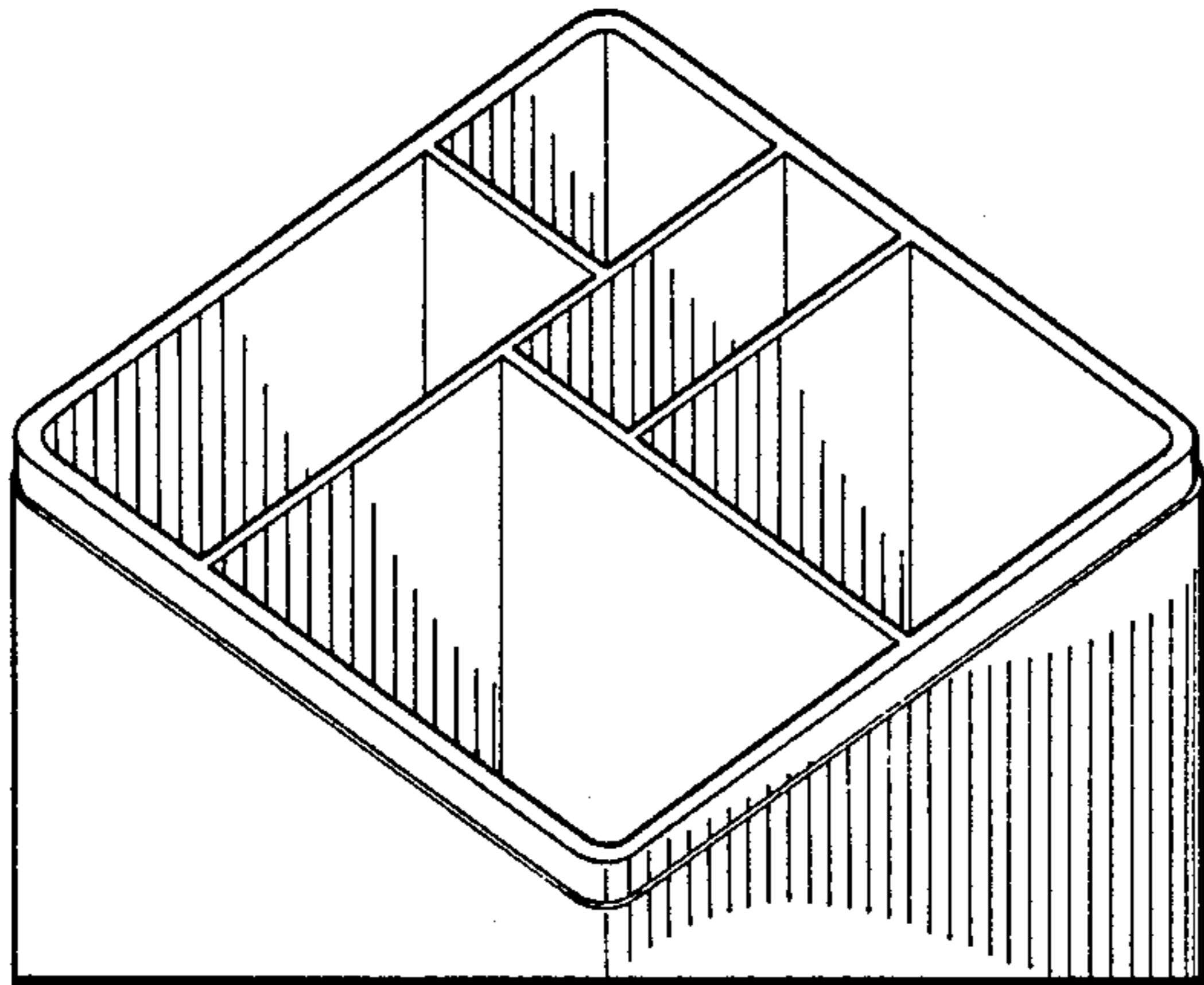
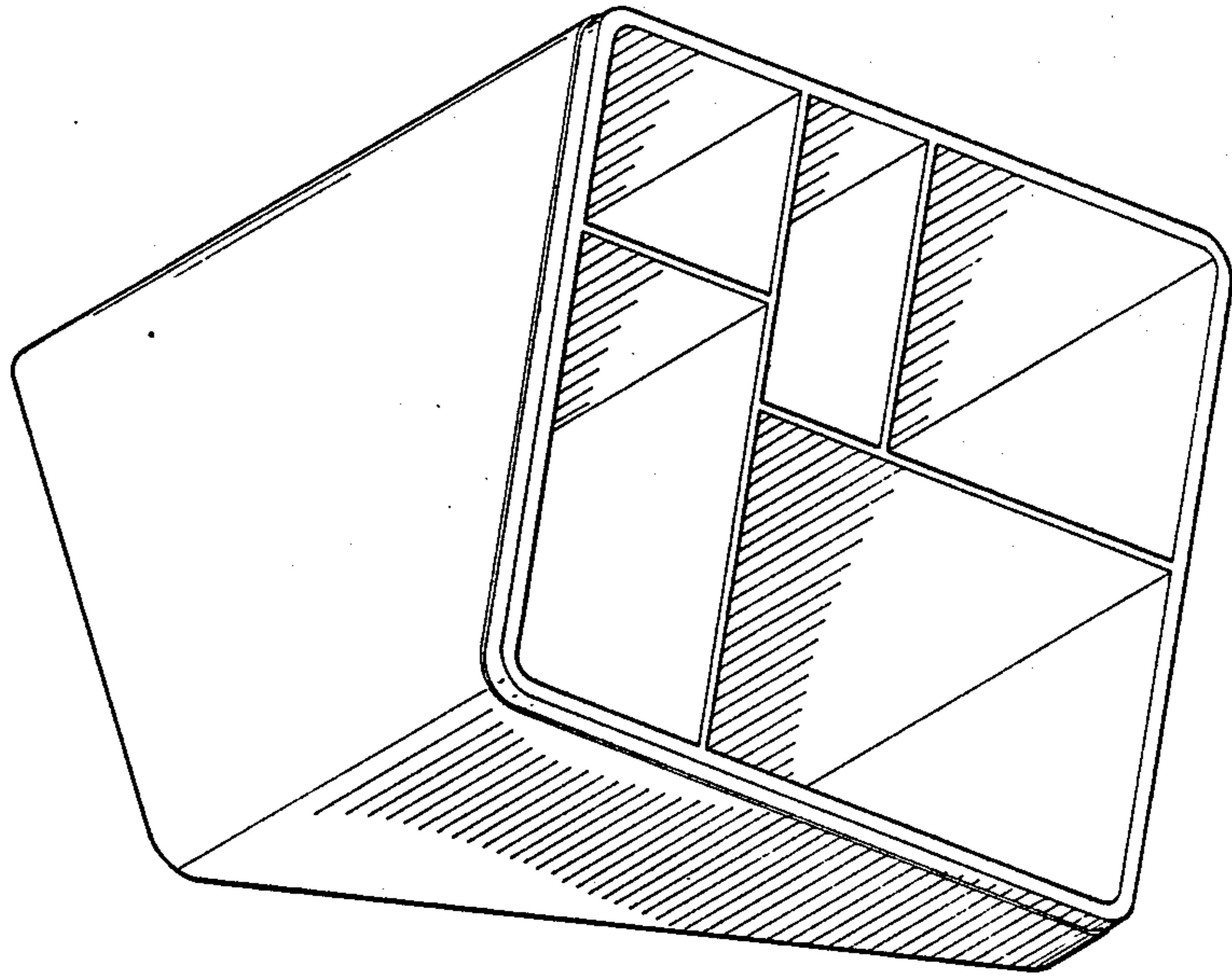


FIG. 2

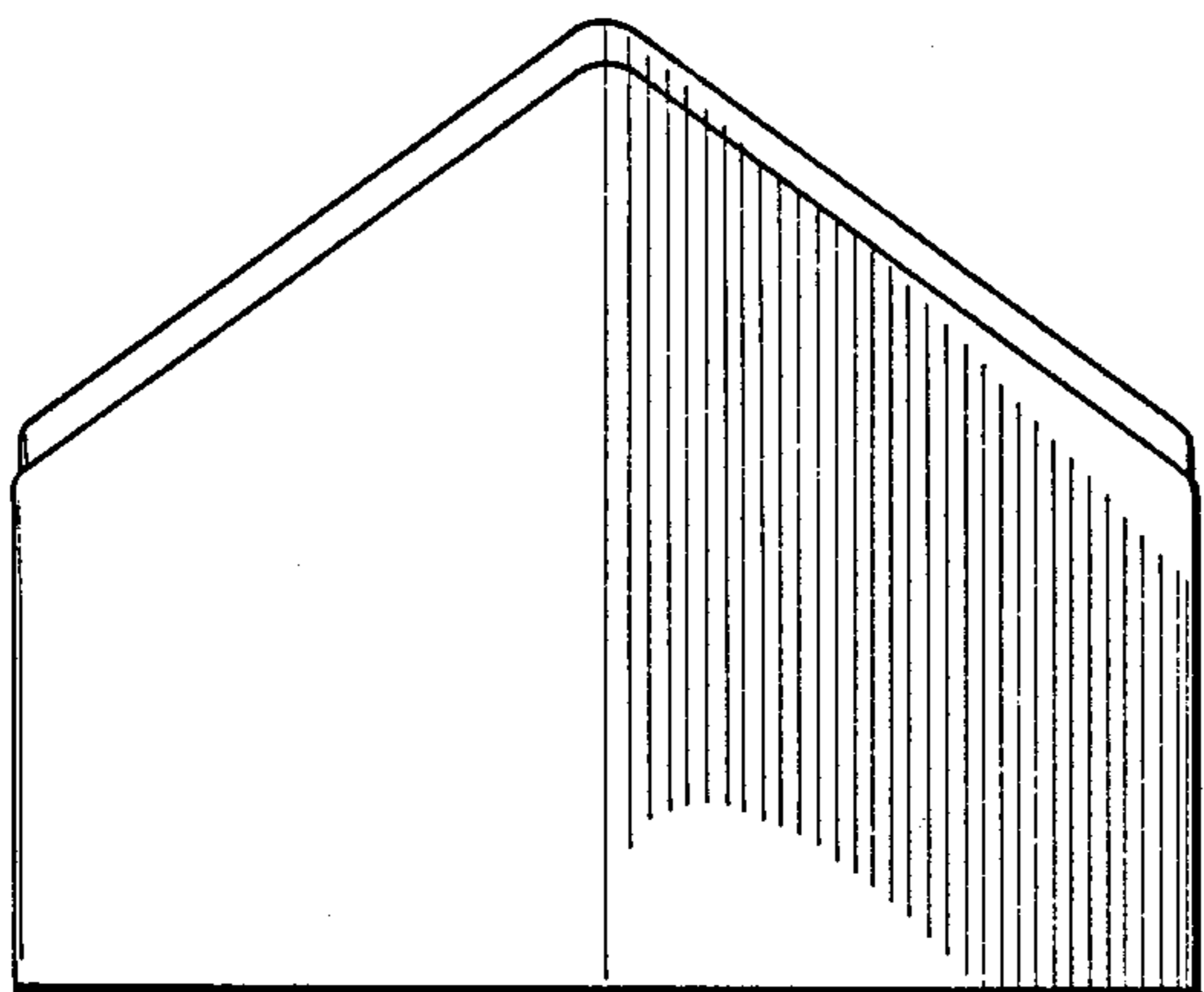


FIG. 3

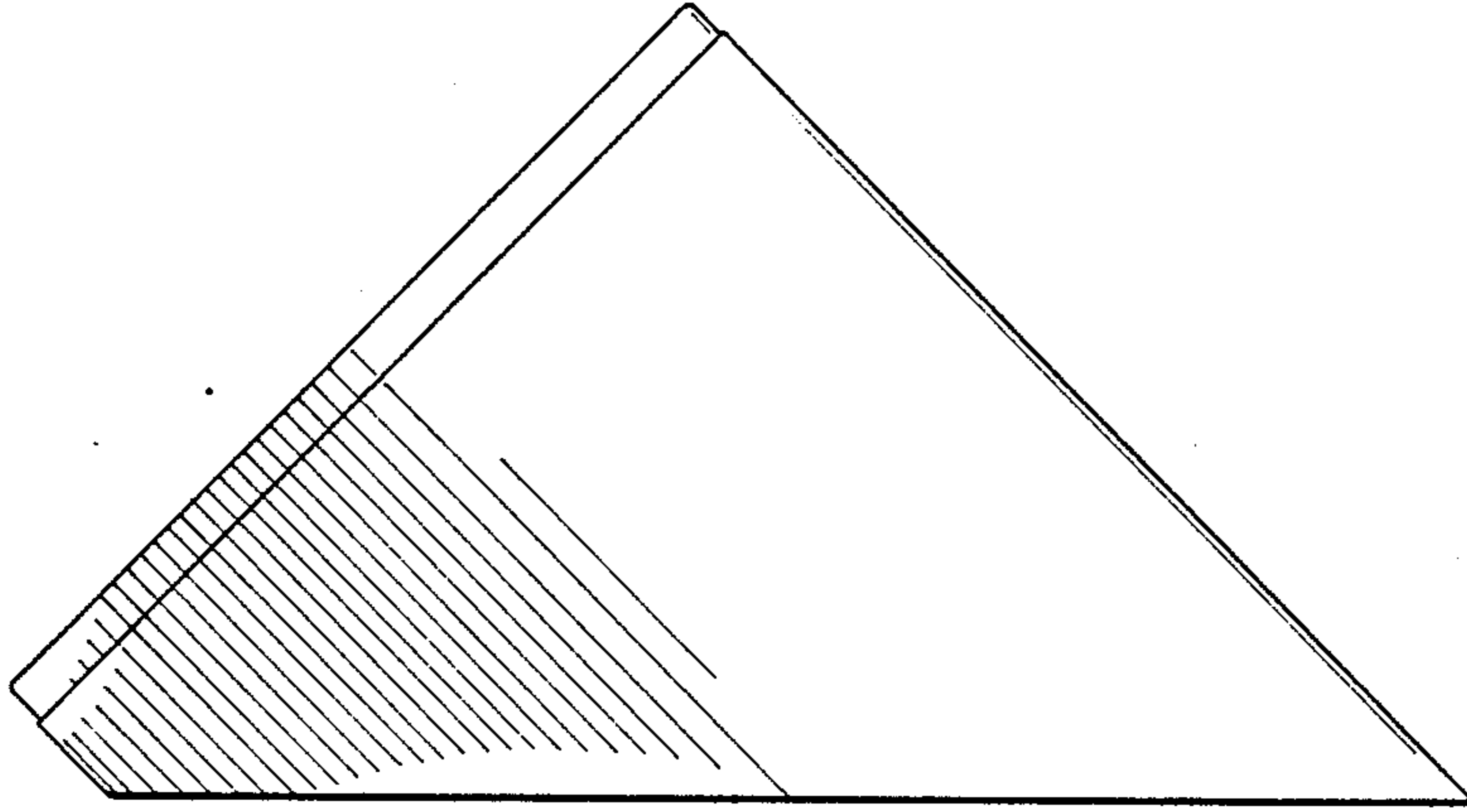


FIG. 4

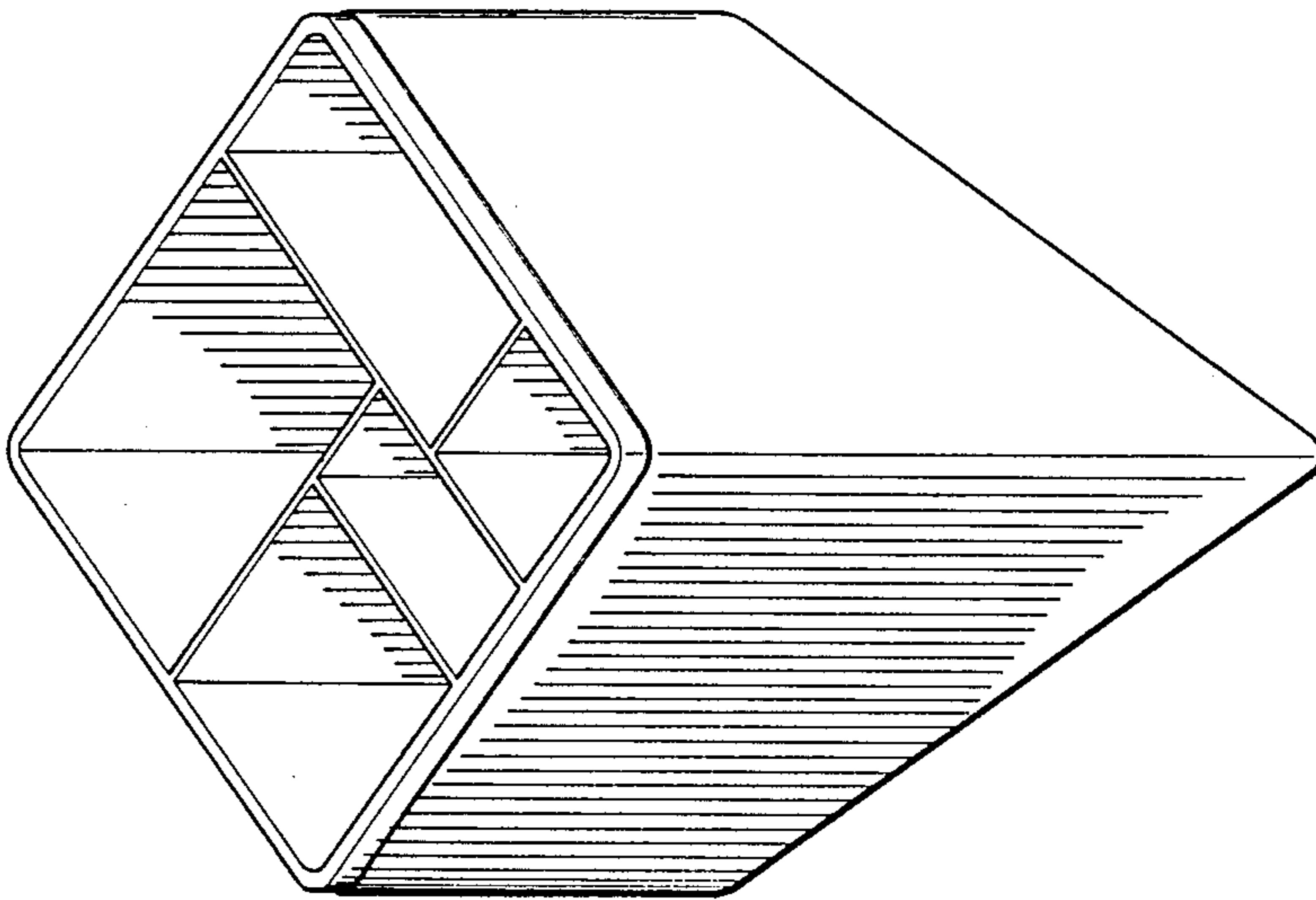


FIG. 5

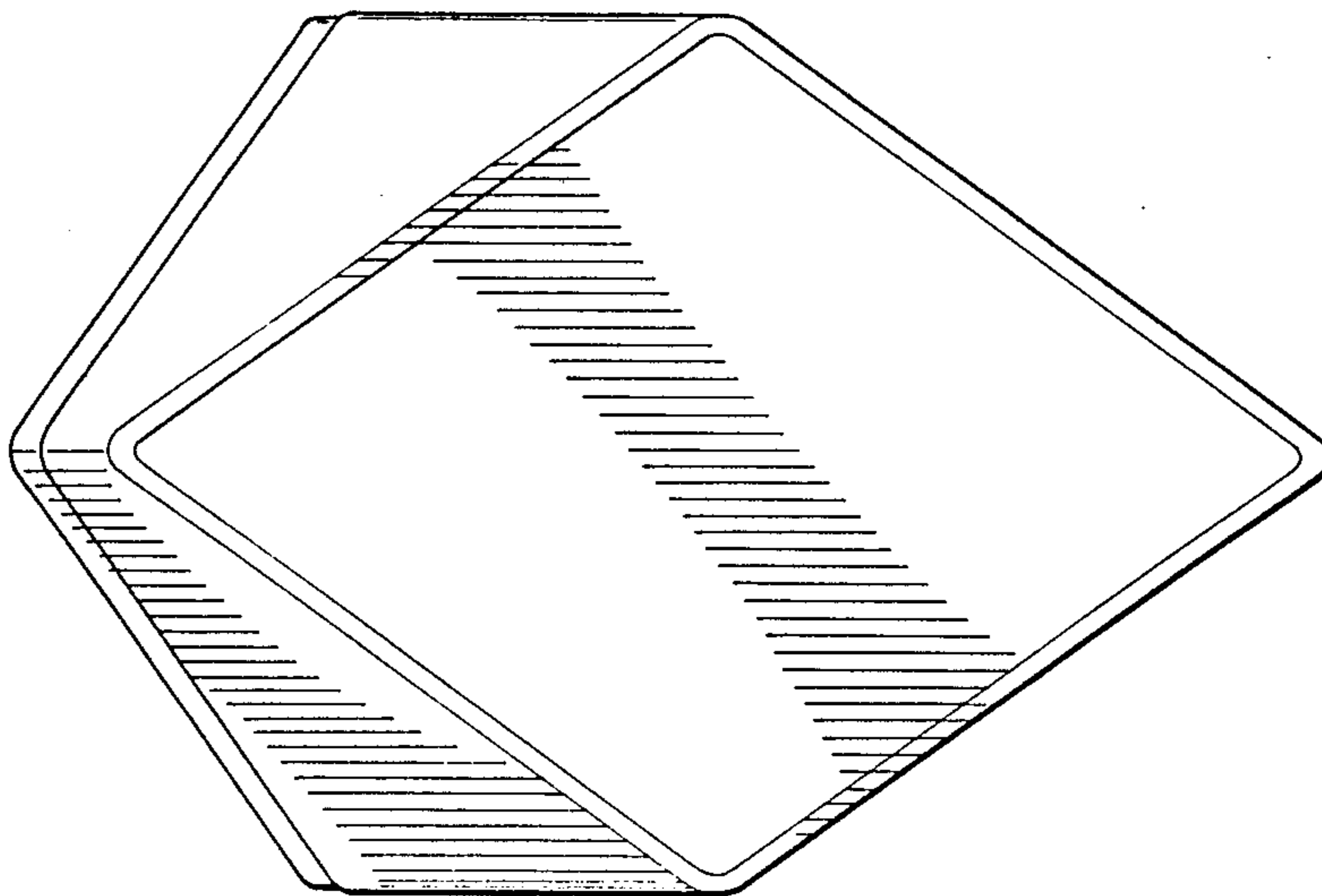


FIG. 6