

[54] EMBOSSING PRESS

[75] Inventors: Paul F. Siegel, Ridgefield; Benson Zinbarg; Nancy Mimoun, both of Stamford, all of Conn.

[73] Assignee: Sun Hill Industries, Inc., Stamford, Conn.

[**] Term: 14 Years

[21] Appl. No.: 755,482

[22] Filed: Jul. 16, 1985

[52] U.S. CL. D18/15; D18/19

[58] Field of Search D18/14, 15, 18, 19; 101/38 P, 24, 26, 407 BP

[56] References Cited

U.S. PATENT DOCUMENTS

- D. 190,405 5/1961 Barnes D18/15 X
- D. 201,722 7/1965 Van Acker et al. D18/14
- D. 257,439 10/1980 Horii D18/14 X
- D. 284,772 7/1986 Bloom D18/14

OTHER PUBLICATIONS

Office Appliances, 6/1965, p. 92—Time Stamp at top right.

Primary Examiner—Louis S. Zarfes

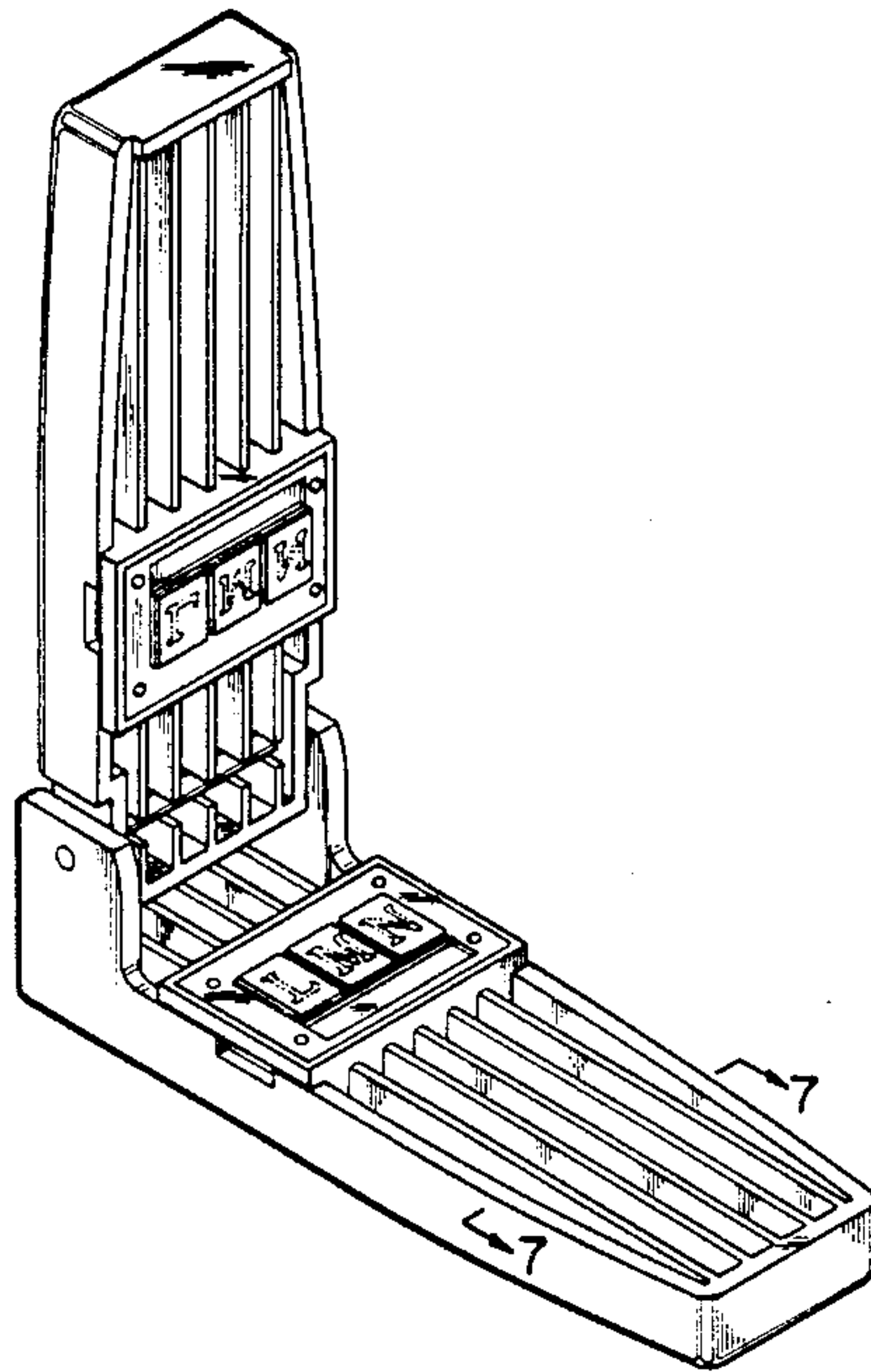
Attorney, Agent, or Firm—Frishauf, Holtz, Goodman & Woodward

[57] CLAIM

The ornamental design for an embossing press, substantially as shown and described.

DESCRIPTION

FIG. 1 is a perspective view of an embossing press showing my new design in open position;
 FIG. 2 is a front elevational view in closed position;
 FIG. 3 is a top plan view thereof;
 FIG. 4 is a left side elevational view, the right side being a mirror image;
 FIG. 5 is a bottom plan view thereof;
 FIG. 6 is a rear elevational view thereof; and
 FIG. 7 is a sectional view taken on line 7—7 in FIG. 1. The broken line showing of die indicia in FIG. 1 is for illustrative purposes only and forms no part of the claimed design.



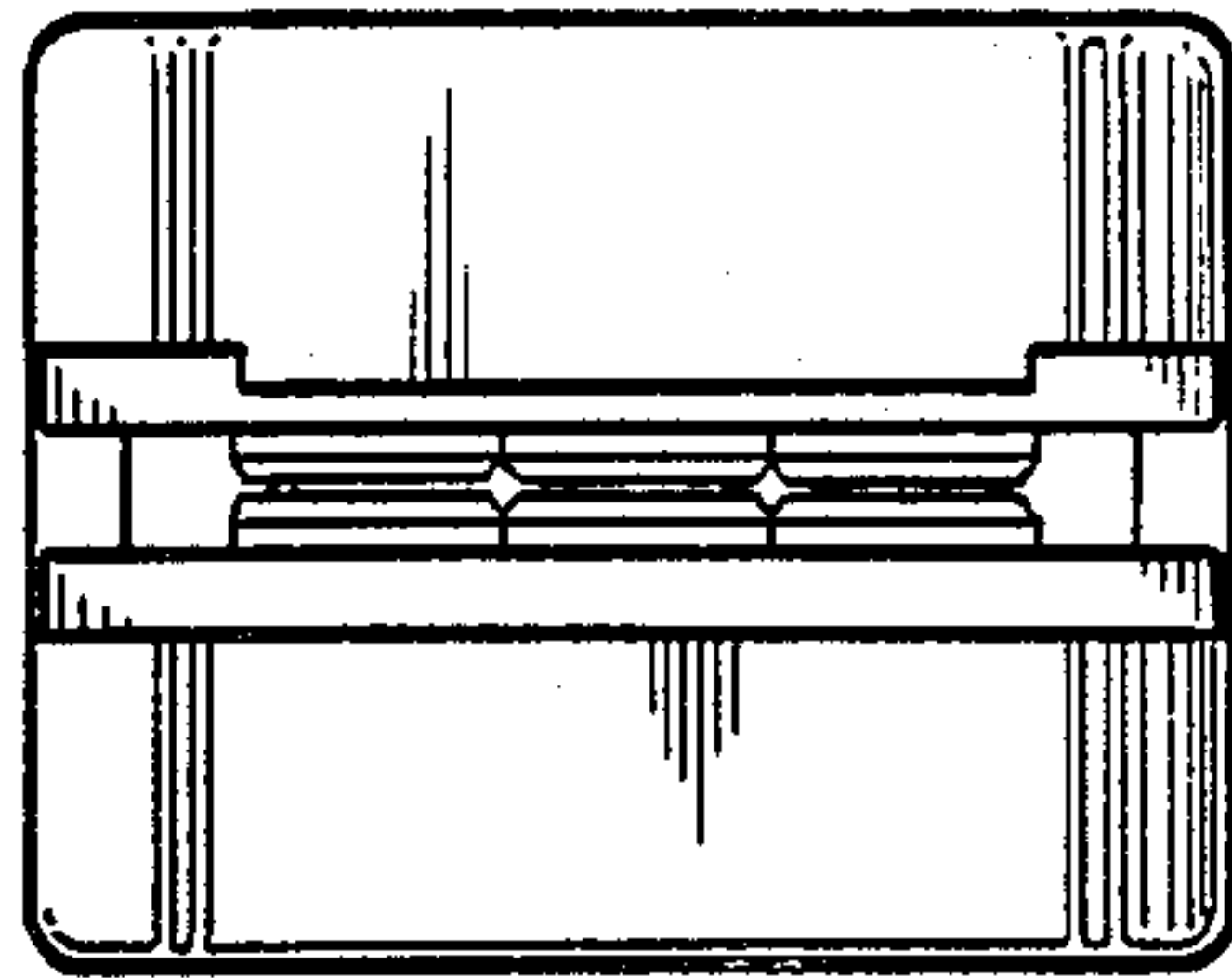
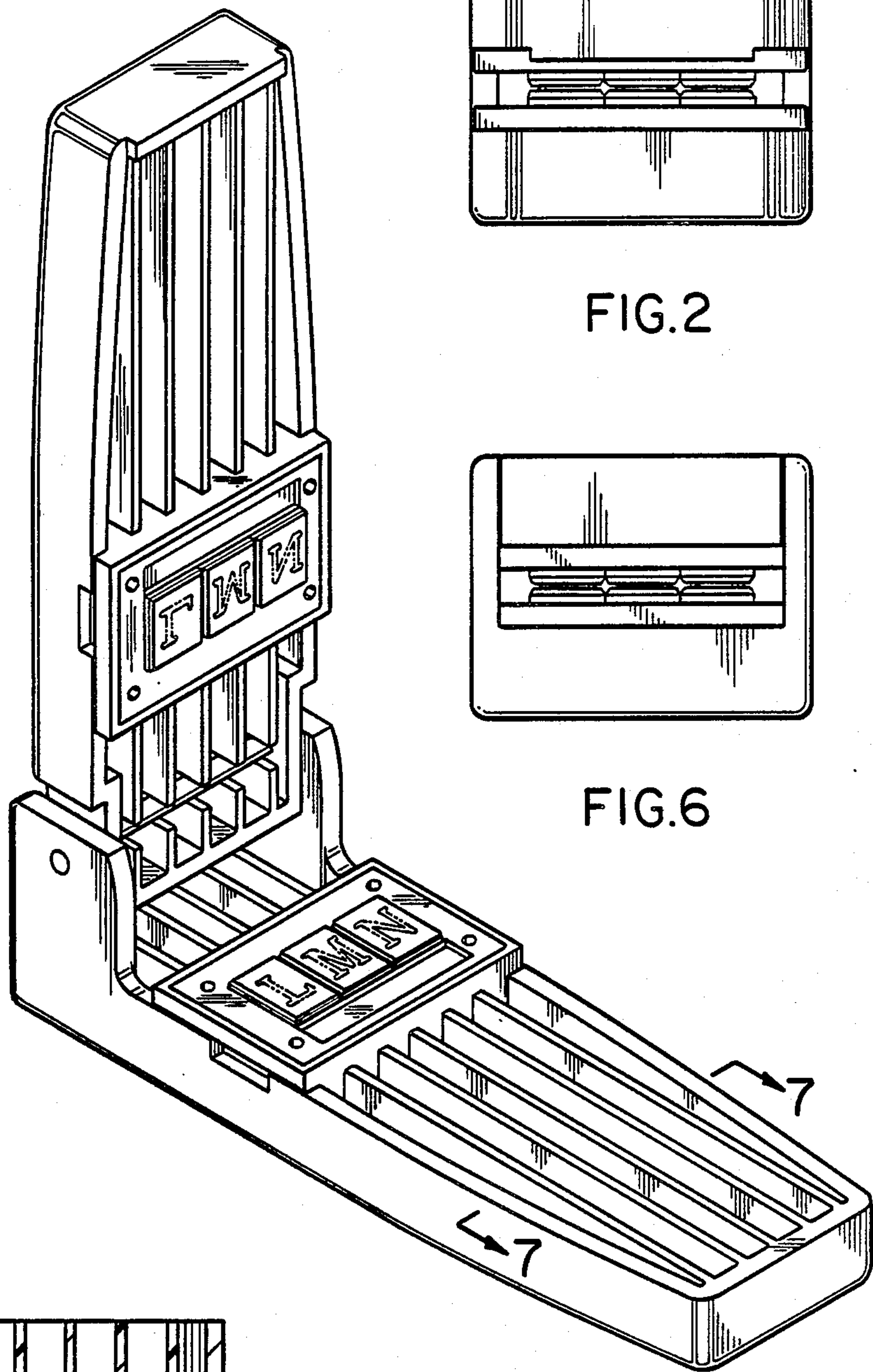


FIG. 2

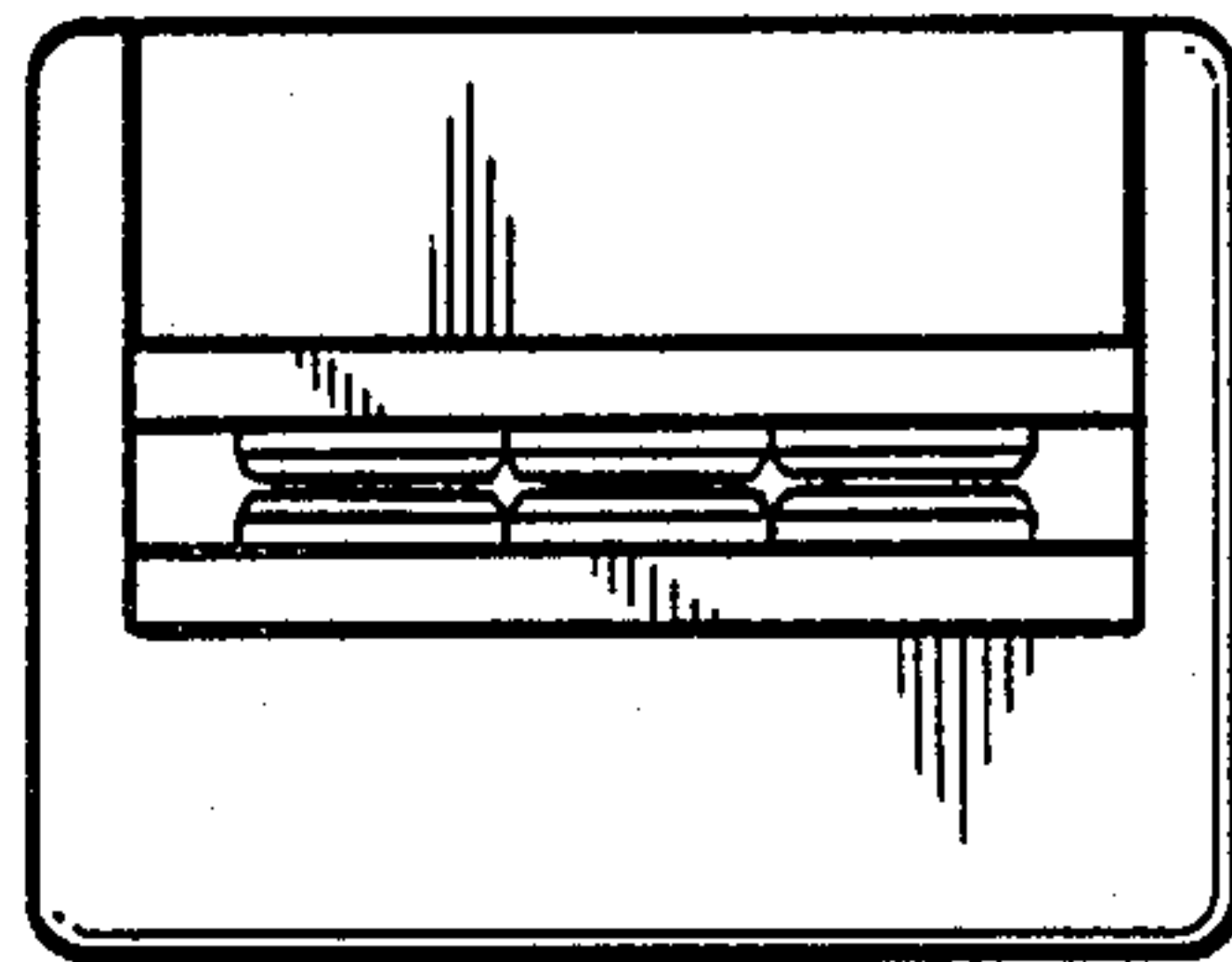


FIG. 6



FIG. 7

FIG. 1

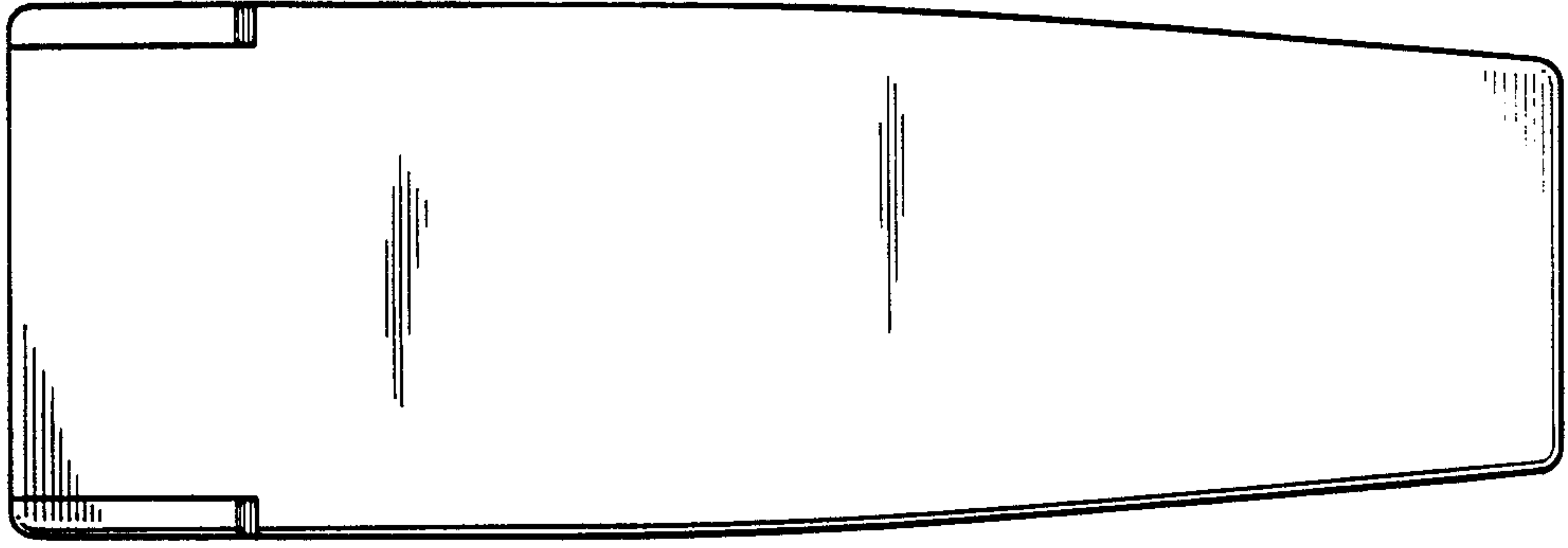


FIG.3

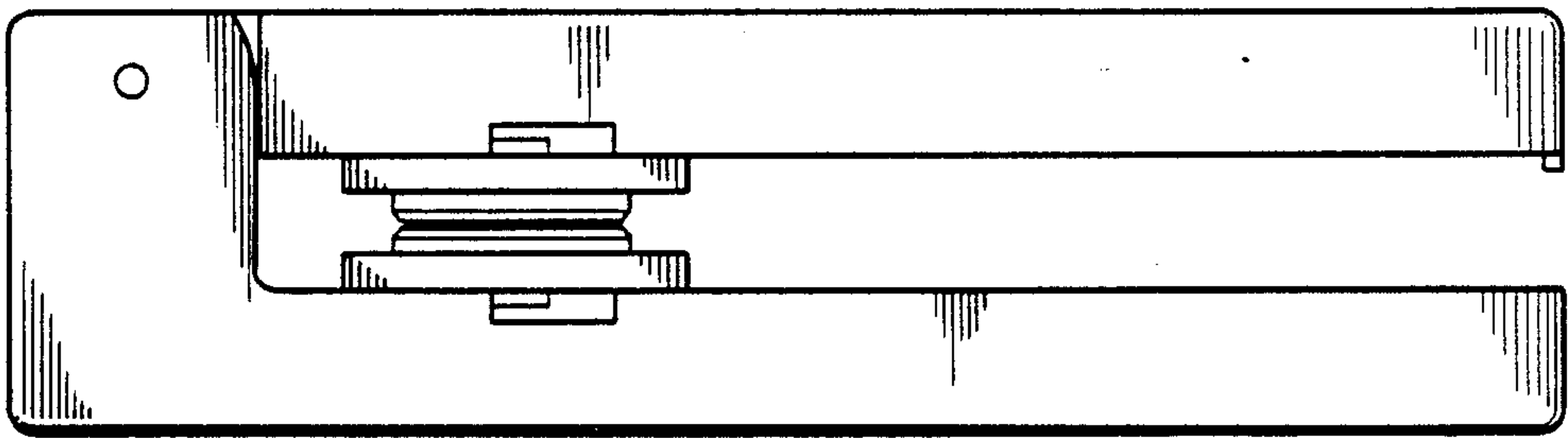


FIG.4

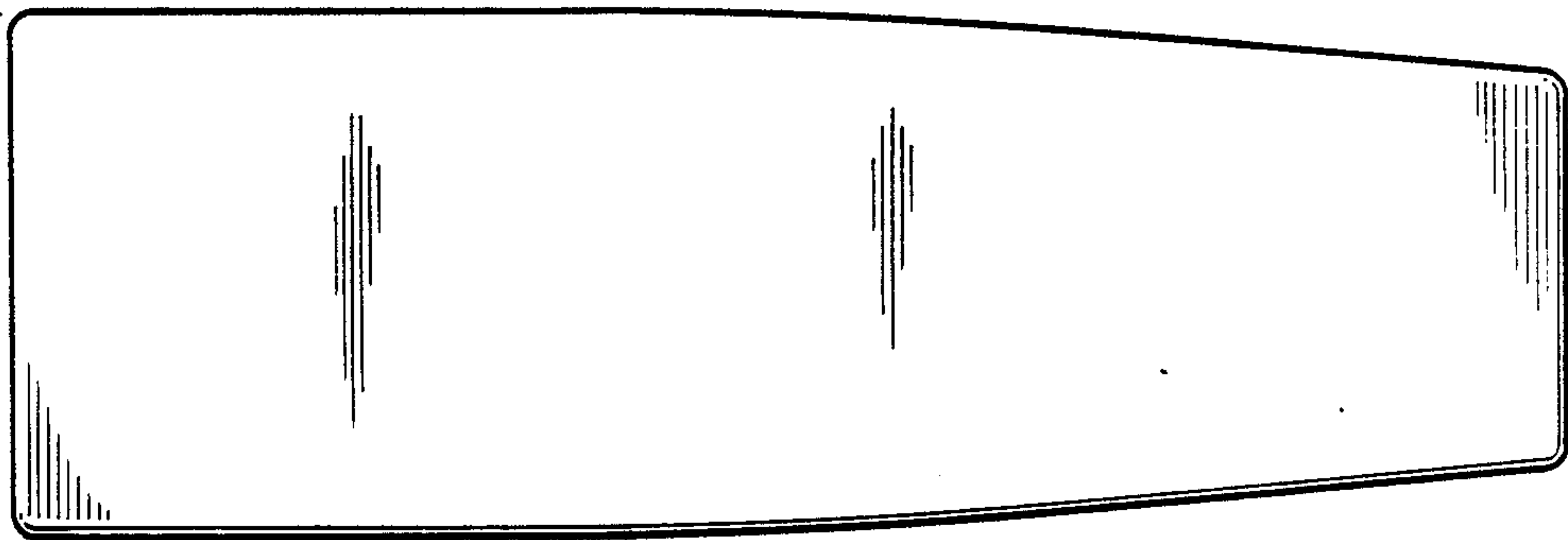


FIG.5