

[54] OPTICAL DISK DRIVE FRONT PANEL

[75] Inventor: Mike V. Konshak, Colorado Springs, Colo.

[73] Assignee: Optotech, Inc., Colorado Springs, Colo.

[\*\*] Term: 14 Years

[21] Appl. No.: 847,874

[22] Filed: Apr. 3, 1986

[52] U.S. Cl. .... D14/115; D14/109

[58] Field of Search ..... D14/100, 107, 108, 109, D14/115; 360/97, 98, 99; 364/708

[56] References Cited

U.S. PATENT DOCUMENTS

D. 283,131 3/1986 Baker ..... D14/109

OTHER PUBLICATIONS

Jade Computer Products Catalog, Spring 1983, p. 19, Siemens 8" Disk Drive.

Primary Examiner—Susan J. Lucas  
Attorney, Agent, or Firm—Kinney & Lange

[57] CLAIM

The ornamental design for an optical disk drive front panel, as shown and described.

DESCRIPTION

FIG. 1 is a perspective view of an optical disk drive front panel showing my new design in its operating environment with an optical disk drive illustrated in phantom;

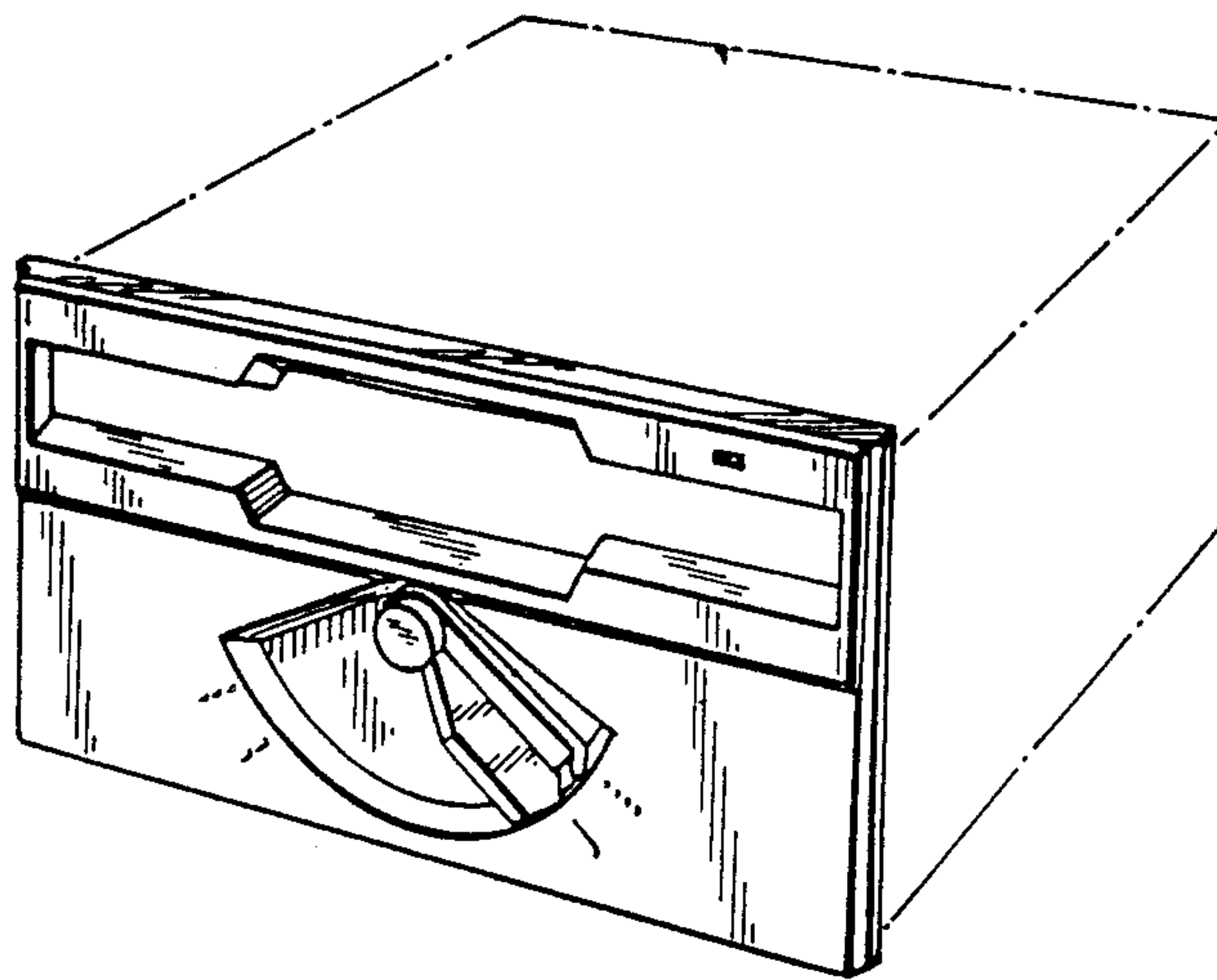
FIG. 2 is a front elevational view thereof on an enlarged scale;

FIG. 3 is a top plan view thereof on an enlarged scale;

FIG. 4 is a bottom plan view thereof on an enlarged scale;

FIG. 5 is a side elevational view thereof as seen from the right of FIG. 1 on an enlarged scale;

FIG. 6 is a side elevational view thereof as seen from the left of FIG. 1 on an enlarged scale.



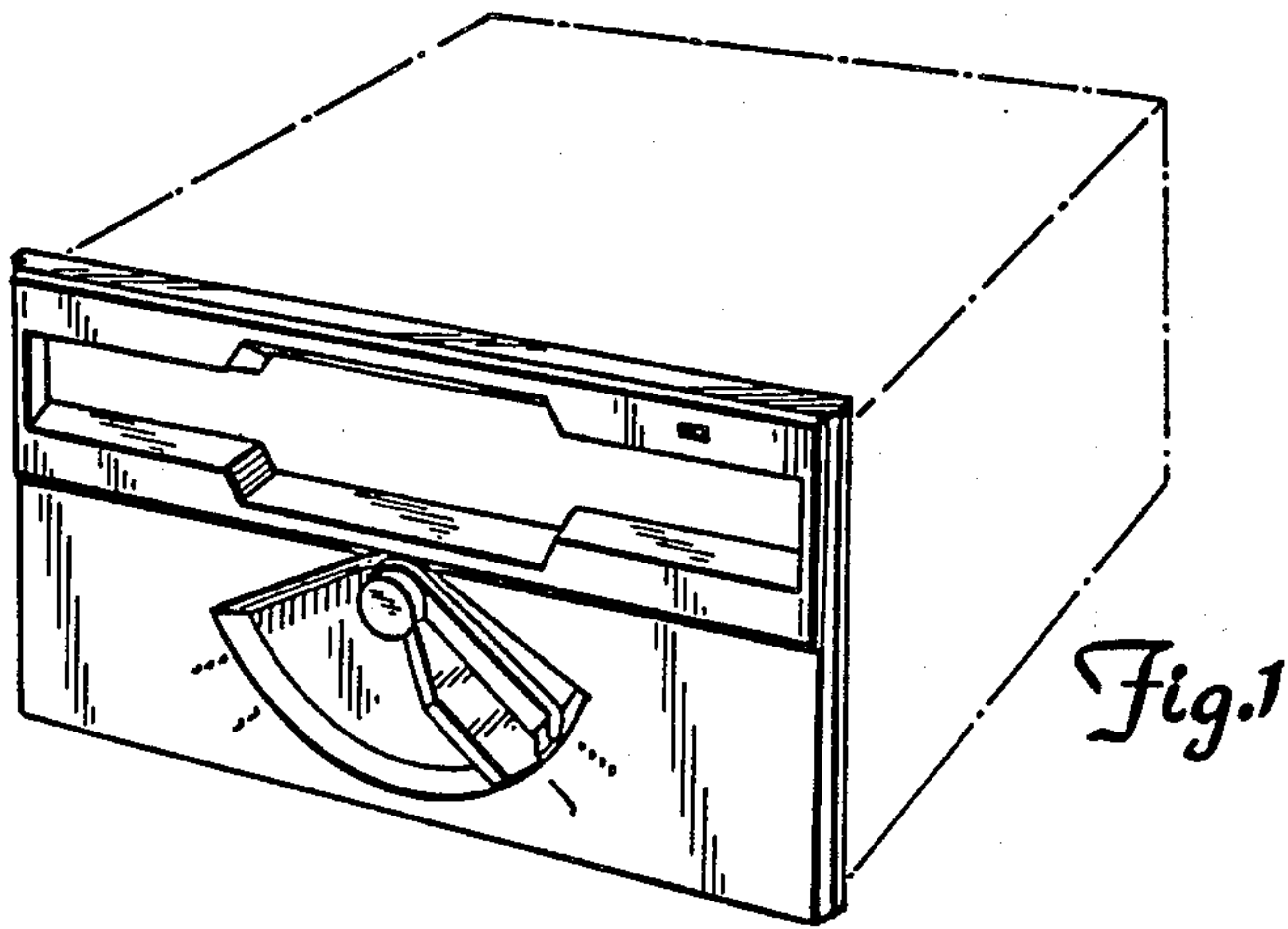


Fig. 2

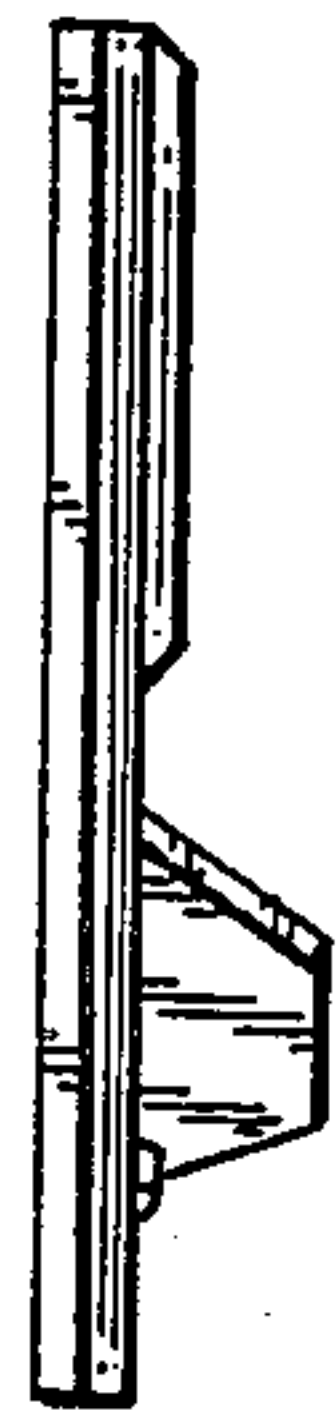
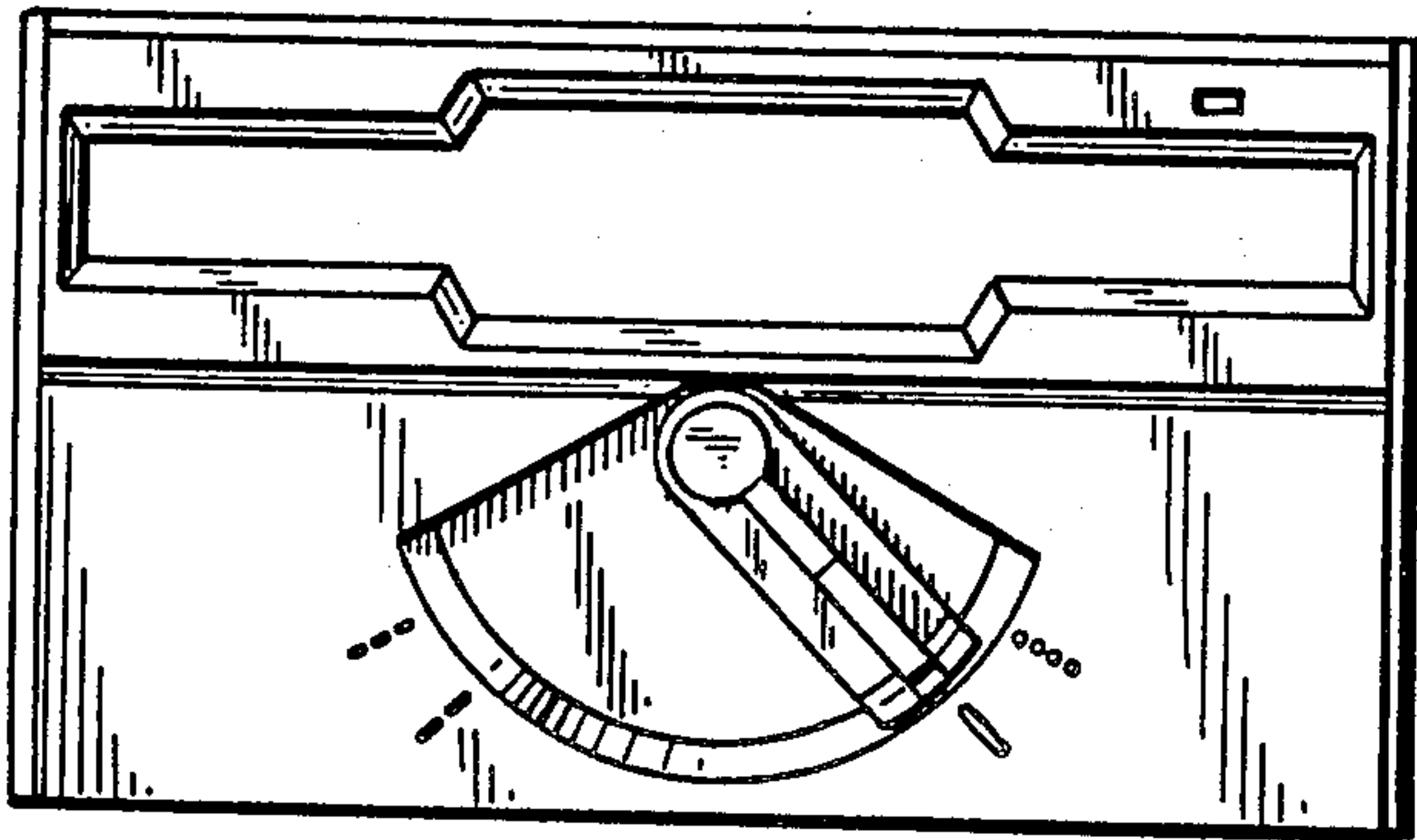


Fig. 5

Fig. 6

Fig. 3

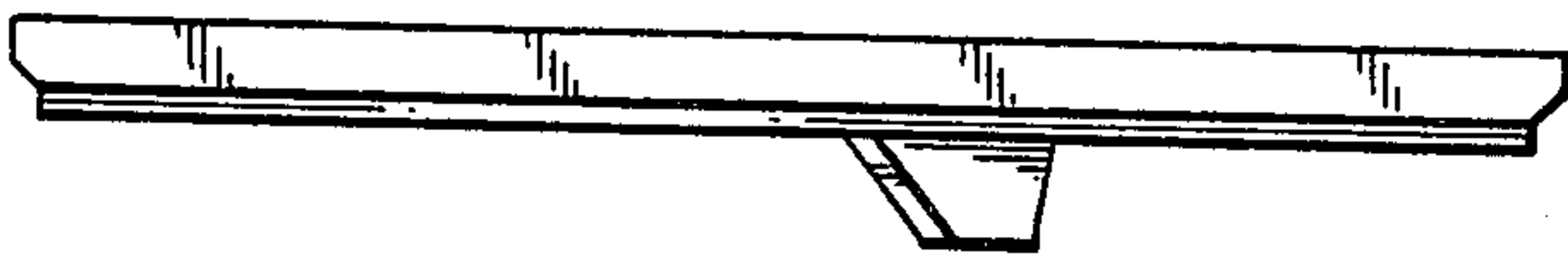


Fig. 4

