

[54] DISPLAY MOUNT CLAMP

[76] Inventor: Victor L. Neuenschwander, Box 1098, Bloomfield, N. Mex. 87413

[31] Term: 14 Years

[21] Appl. No.: 752,650

[22] Filed: Jul. 8, 1985

[52] U.S. CL. .... D8/395

[58] Field of Search ..... D20/43, 44; D8/382, D8/384, 394, 395; 24/336, 545, 546, 563

[56] References Cited

U.S. PATENT DOCUMENTS

D. 211,555	6/1968	Haber	.....	D20/43
D. 220,380	4/1971	Hughes et al.	.....	D8/395 X
D. 229,743	1/1974	Moore	.....	D8/395
D. 242,431	11/1976	Carroll	.....	D8/395 X
D. 275,529	9/1984	Price	.....	D8/395
857,108	6/1887	Prutton	.....	24/336

1,107,543	8/1914	Norton	.....	24/336
1,618,194	2/1927	Hermann	.....	24/336
1,701,112	2/1929	Johnson	.....	24/643
1,953,627	4/1934	Overholtz	.....	24/336
2,128,710	8/1938	MacDonald	.....	24/336
2,279,957	4/1942	Sliger	.....	24/336
3,286,963	11/1966	Bergman	.....	D8/395 X
4,332,060	6/1982	Sato	.....	24/545 X

Primary Examiner—Catherine E. Kemper  
Attorney, Agent, or Firm—Fleit, Jacobson, Cohn & Price

[57] CLAIM

The ornamental design for a display mount clamp, as shown and described.

DESCRIPTION

FIG. 1 is a perspective view of the display mount clamp showing my new design;  
FIG. 2 is a top plan view thereof;  
FIG. 3 is a side elevational view thereof;  
FIG. 4 is a bottom plan view thereof; and  
FIG. 5 is an end elevational view thereof.

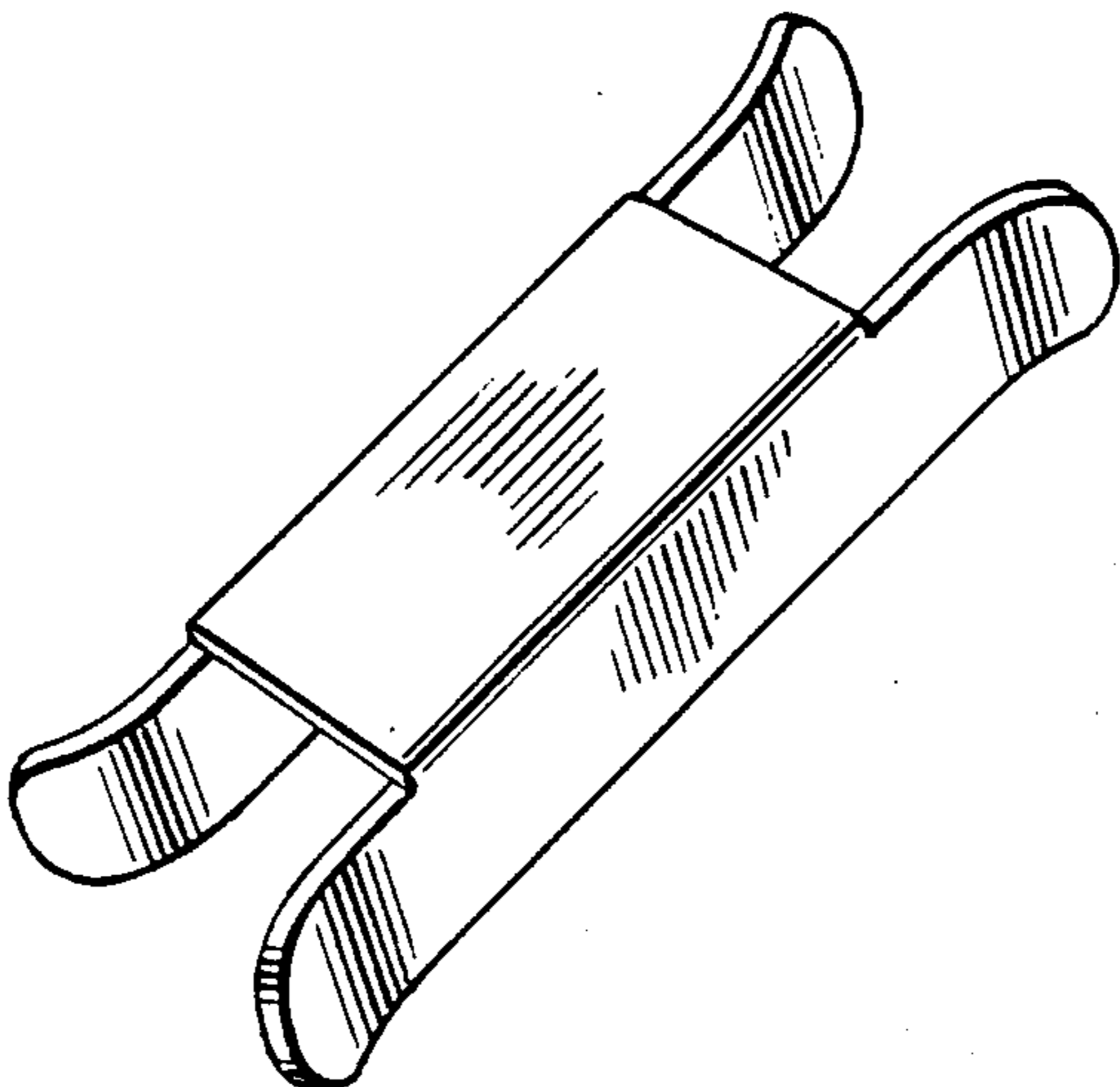


FIG. 1

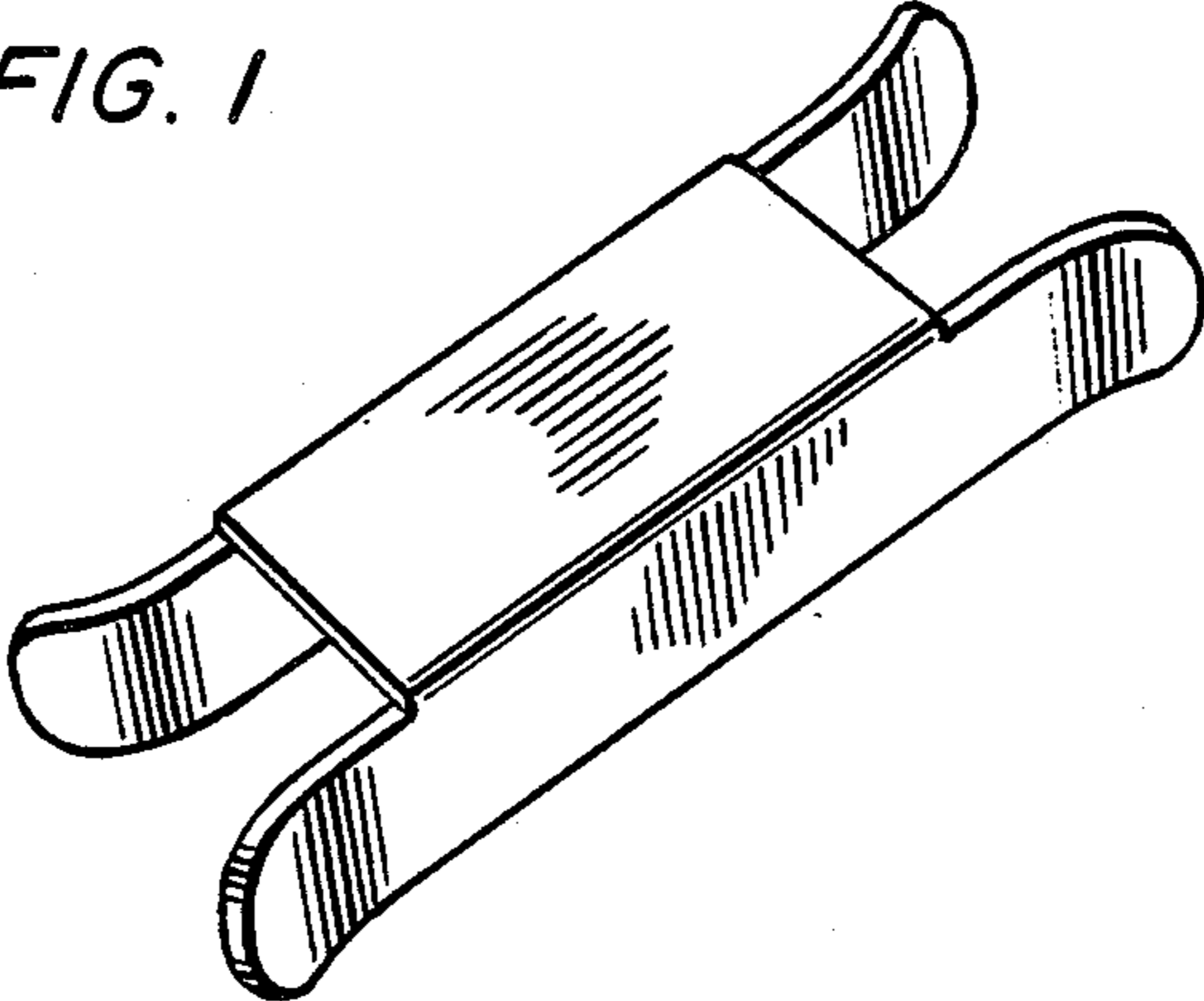


FIG. 2

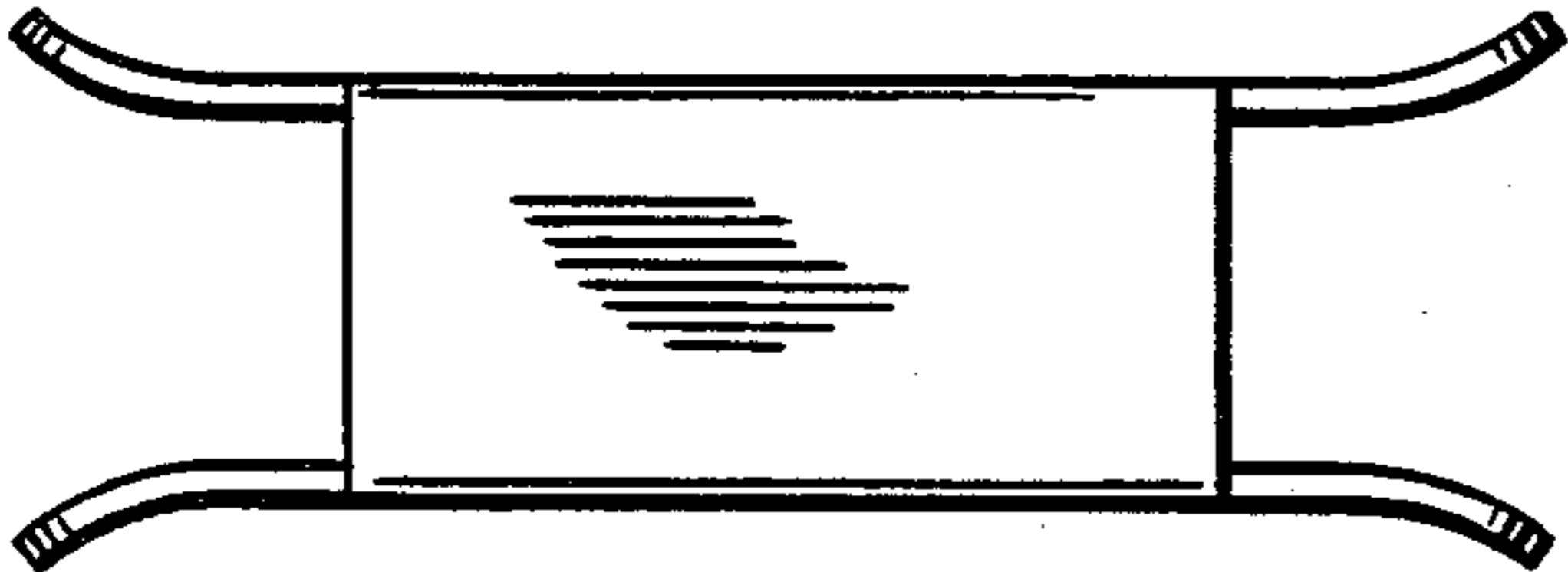


FIG. 3



FIG. 4

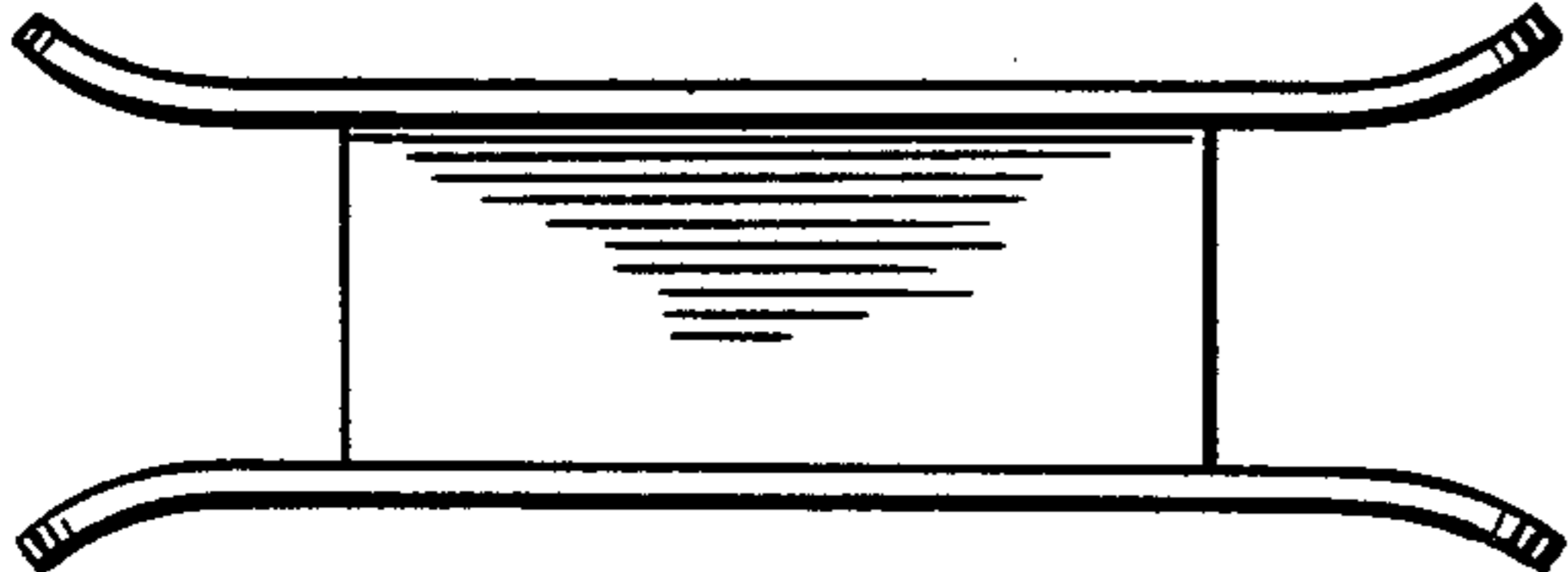


FIG. 5

