

United States Patent [19]

Mochida

[11] Patent Number: Des. 296,072

[45] Date of Patent: ** Jun. 7, 1988

[54] CORDLESS ELECTRIC DRILL

D. 289,004 3/1987 Somers D8/68

[75] Inventor: Taro Mochida, Kadoma, Japan

[73] Assignee: Matsushita Electric Works, Ltd.,
Japan

[**] Term: 14 Years

[21] Appl. No.: 825,893

[22] Filed: Feb. 4, 1986

[30] Foreign Application Priority Data

Aug. 5, 1985 [JP] Japan 60-33575

[52] U.S. Cl. D8/68

[58] Field of Search D8/61, 68, 75, 82, 83,
D8/105; 408/120, 124-125, 127; 310/50;
320/2-4; 173/163, 170; 81/44, 52, 53.12, 54,
57.11, 463-464, 466-467, 478, 480, 177.1, 177.7,
438

[56] References Cited

U.S. PATENT DOCUMENTS

D. 243,652 3/1977 Zurwelle et al. D8/68
D. 279,957 8/1985 Akazawa et al. D8/61

OTHER PUBLICATIONS

Popular Mechanics, Nov. 1979, p. 34 Skil's "Boar Gun", advertisement.

Black & Decker Industrial/Construction Division catalogue 1982, p. 15 "Professional Cordless Hammer Drill".

Primary Examiner—Wallace R. Burke

Assistant Examiner—Brian N. Vinson

Attorney, Agent, or Firm—Stevens, Davis, Miller & Mosher

[57] CLAIM

The ornamental design for cordless electric drill, as shown.

DESCRIPTION

FIG. 1 is a right side perspective view of a cordless electric drill showing my new design;

FIG. 2 is a left side elevational view thereof;

FIG. 3 is a top plan view thereof;

FIG. 4 is a bottom plan view thereof;

FIG. 5 is a front elevational view thereof; and

FIG. 6 is a rear elevational view thereof.

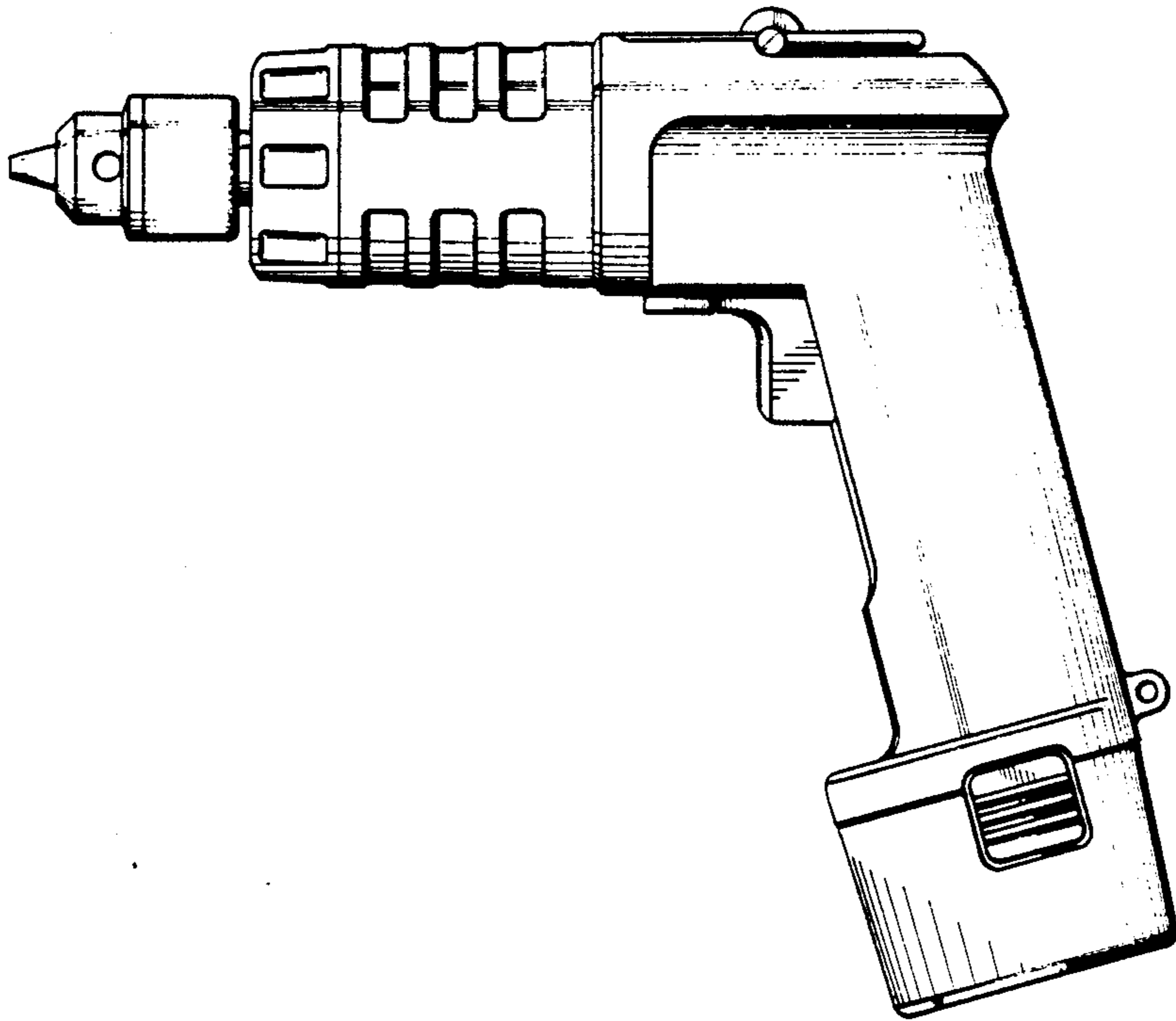


Fig 1

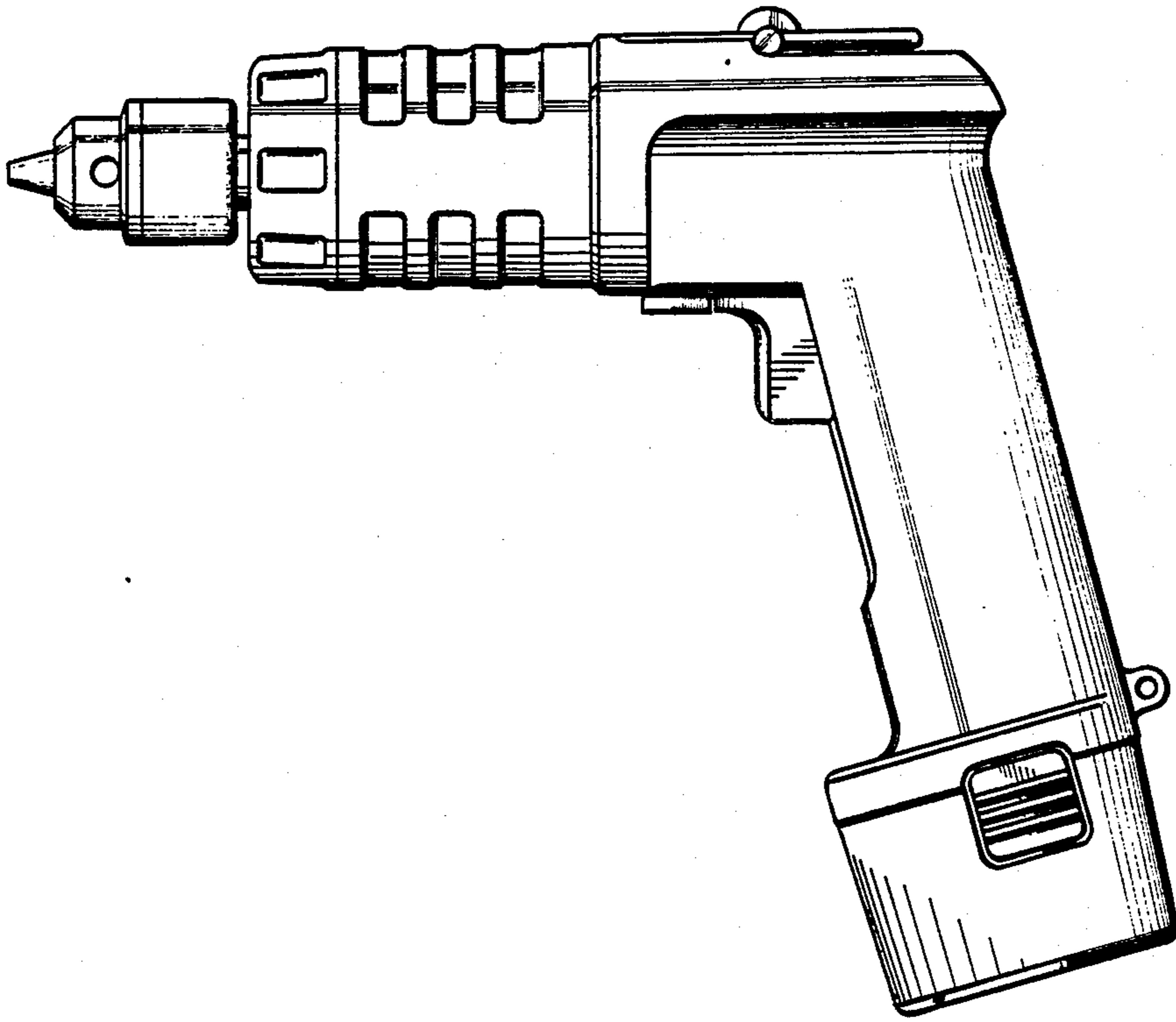


Fig 3

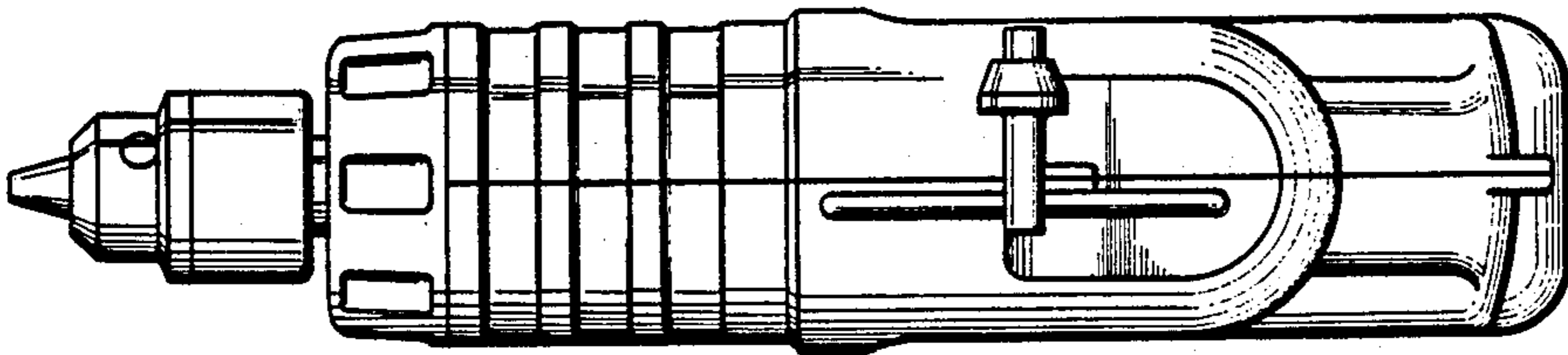


Fig 2

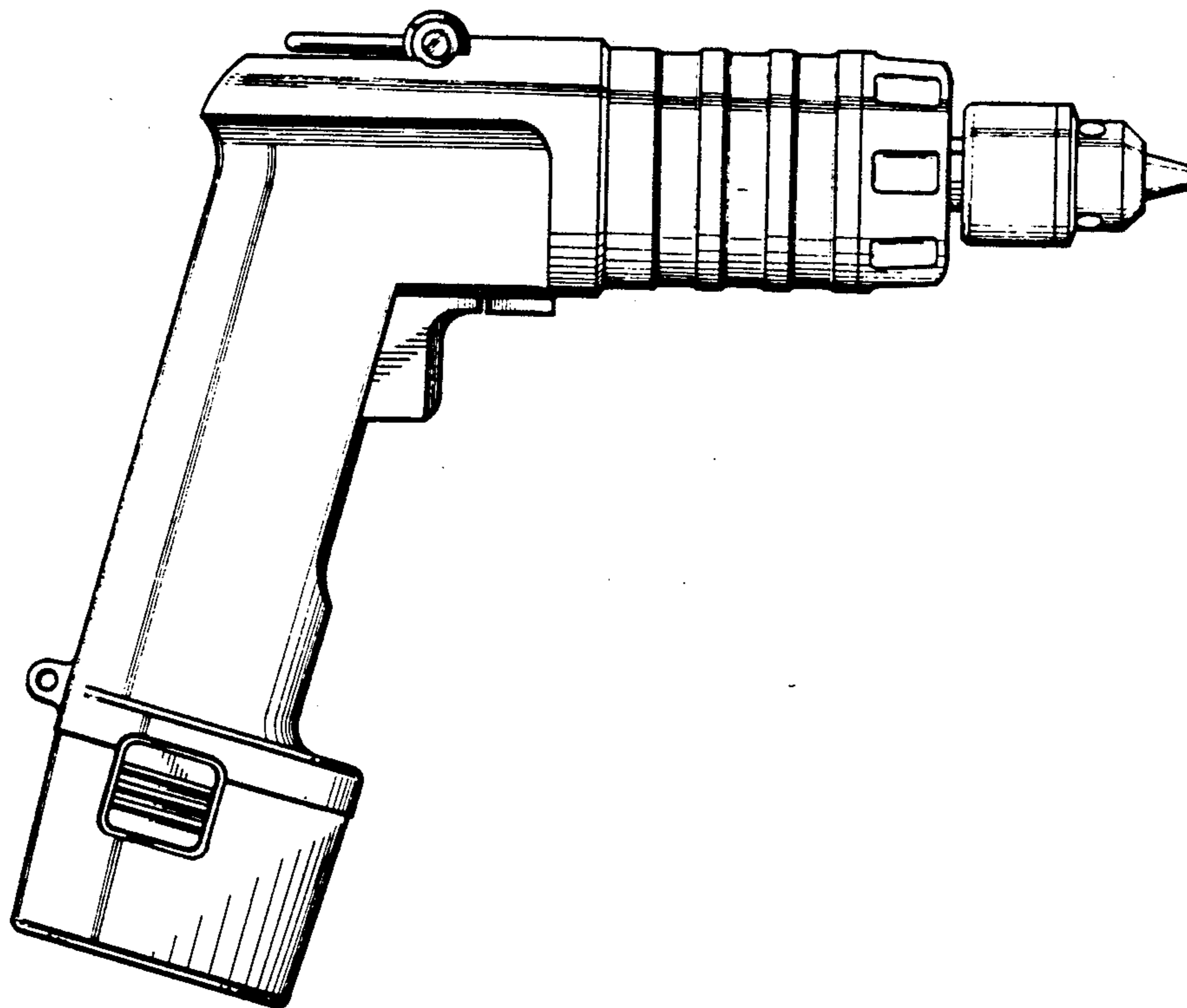


Fig 4

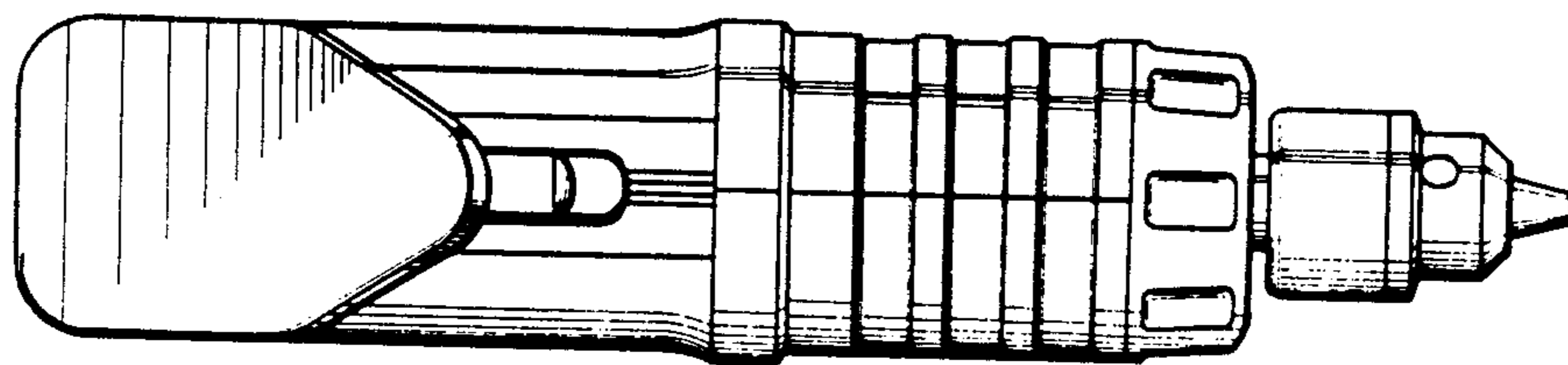


Fig 5

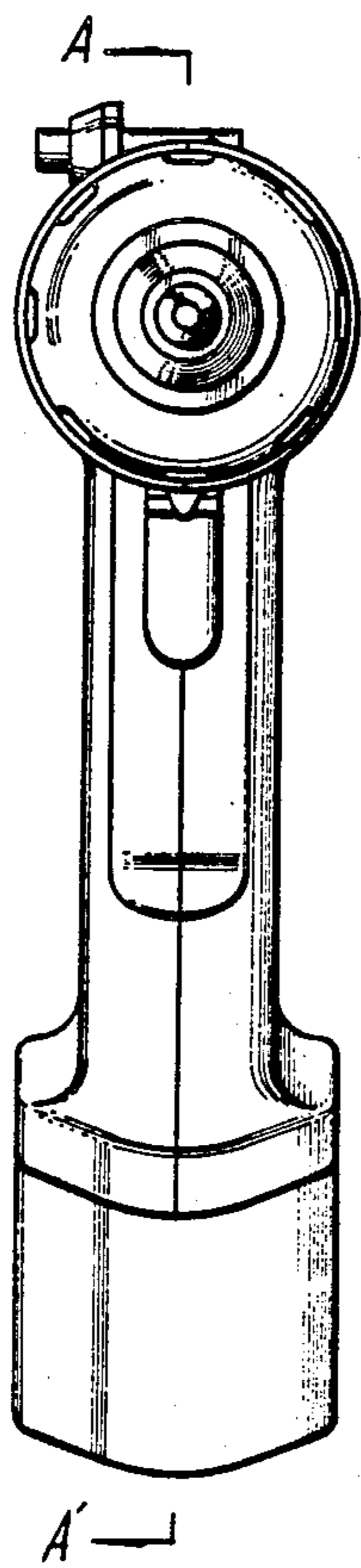


Fig 6

