

[54] **STAPLER (II)**

3,630,428 12/1971 Olney et al. 227/128

[76] **Inventor: William H. N. Chi, No. 32, Kuang Cheng Rd., Ta Li Hsiang, Taichung Hsien, Taiwan**

Primary Examiner—Bernard Ansher
Assistant Examiner—Terry Pfeffer
Attorney, Agent, or Firm—Klauber & Jackson

[**] **Term: 14 Years**

[57] **CLAIM**

[21] **Appl. No.: 726,525**

The ornamental design for a stapler (II), as shown and described.

[22] **Filed: Apr. 24, 1985**

[52] **U.S. Cl. D8/49**

[58] **Field of Search D8/49, 50; 227/120, 227/128**

DESCRIPTION

FIG. 1 is a perspective view of a stapler (II) showing my new design;

FIG. 2 is a right side elevational view thereof;

FIG. 3 is a left side elevational view thereof;

FIG. 4 is a front elevational view thereof;

FIG. 5 is a rear elevational view thereof;

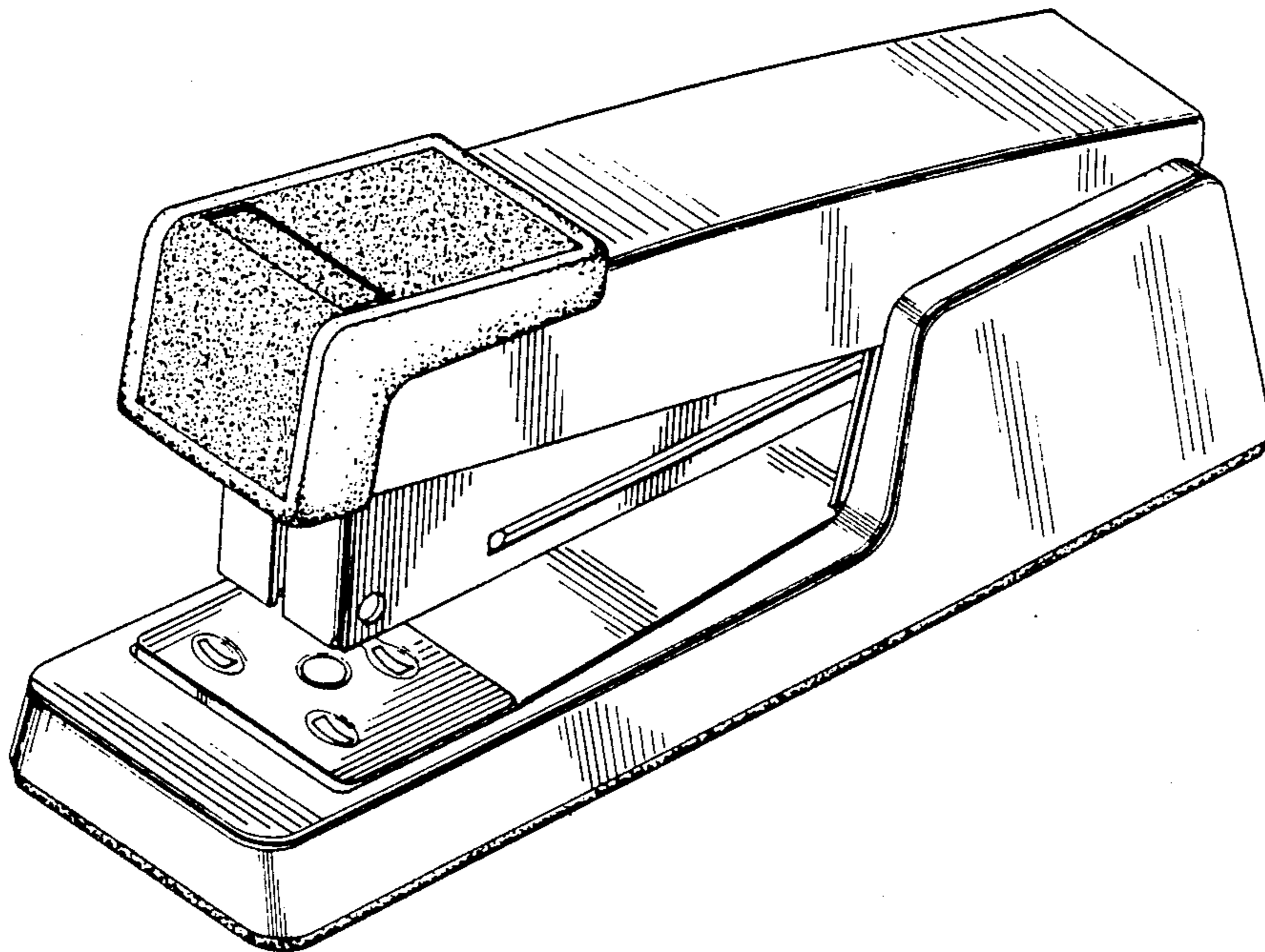
FIG. 6 is a top plan view thereof; and

FIG. 7 is a bottom plan view thereof.

[56] **References Cited**

U.S. PATENT DOCUMENTS

- D. 232,804 9/1974 Power D8/50
D. 244,253 5/1977 Power et al. D8/50



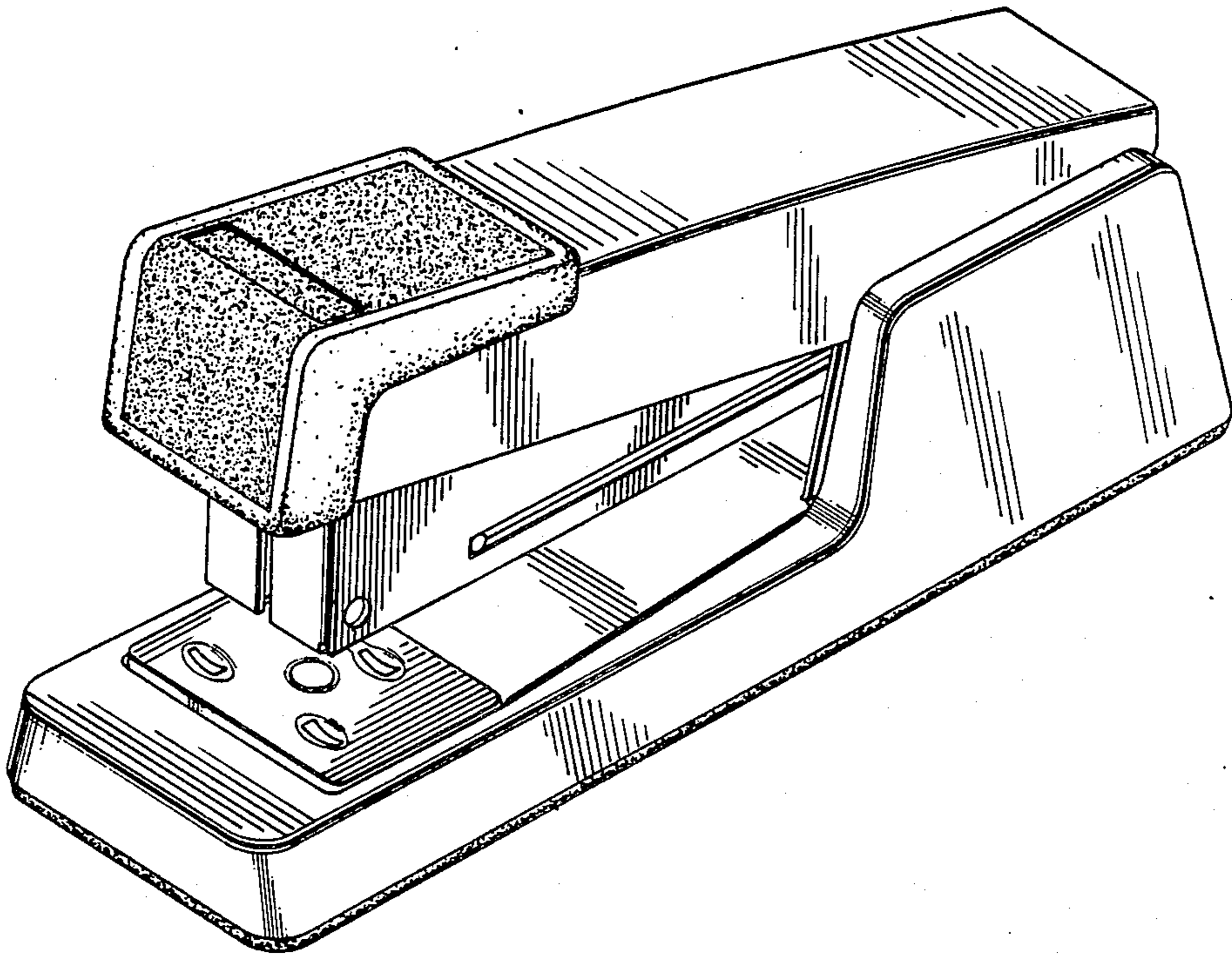


FIG 1

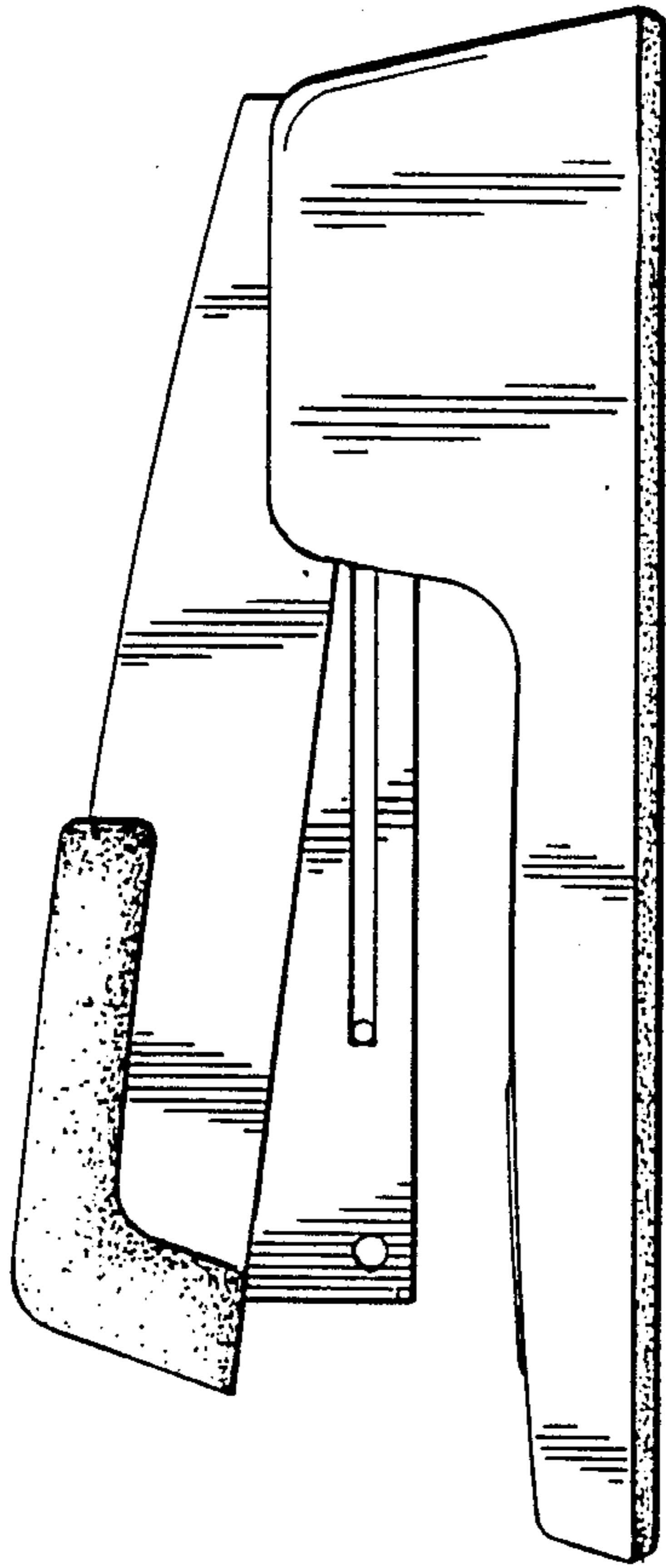


FIG. 2

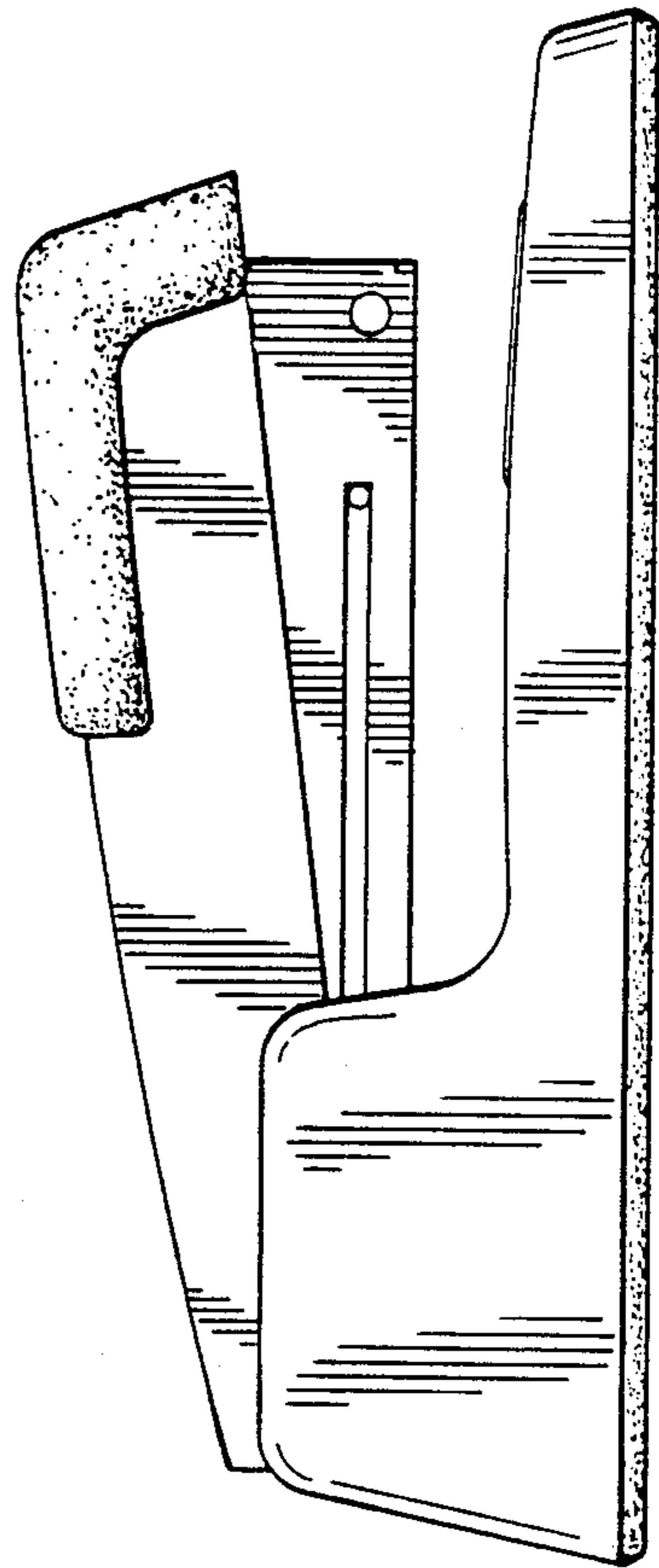


FIG. 3

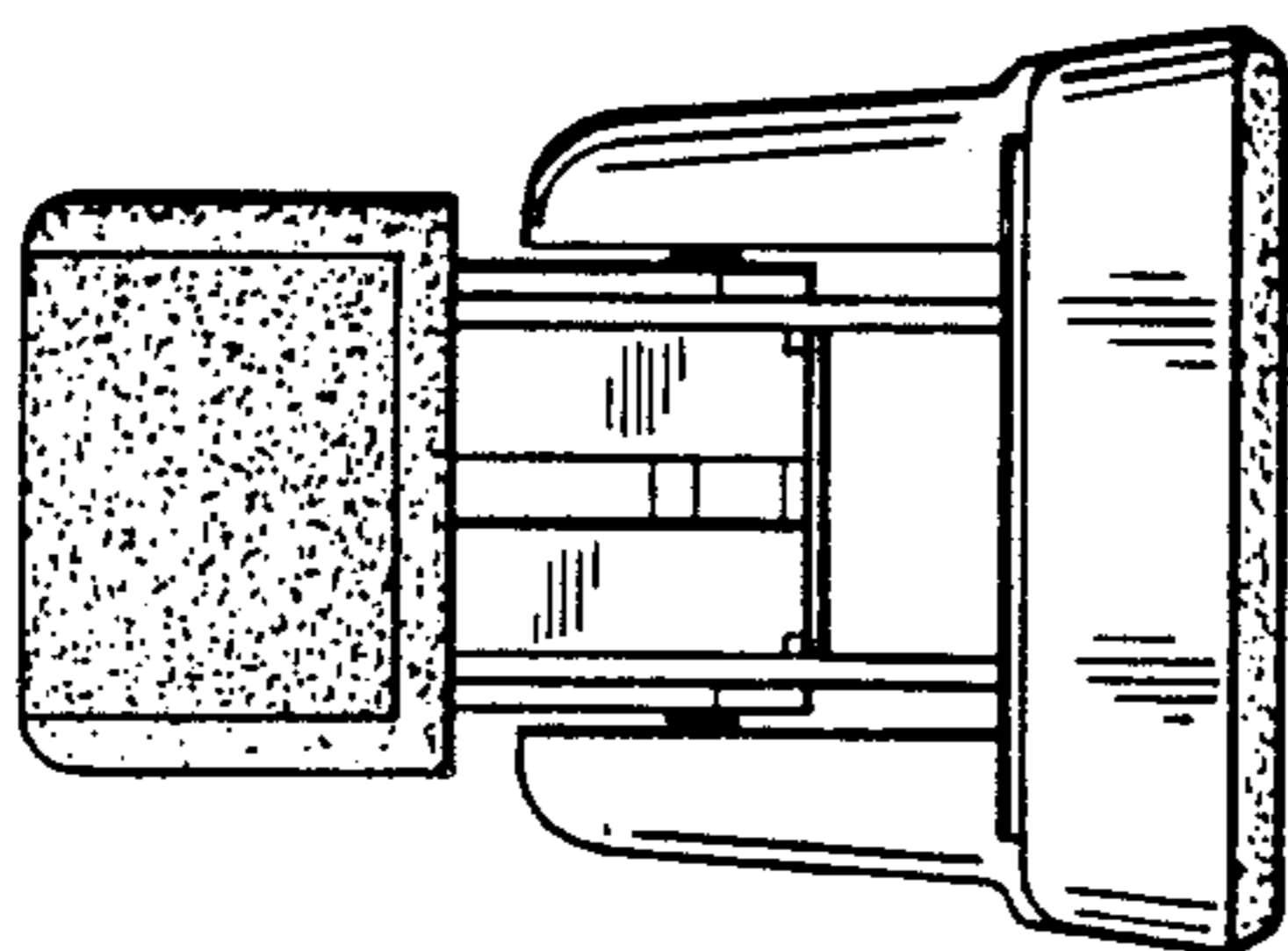


FIG. 4

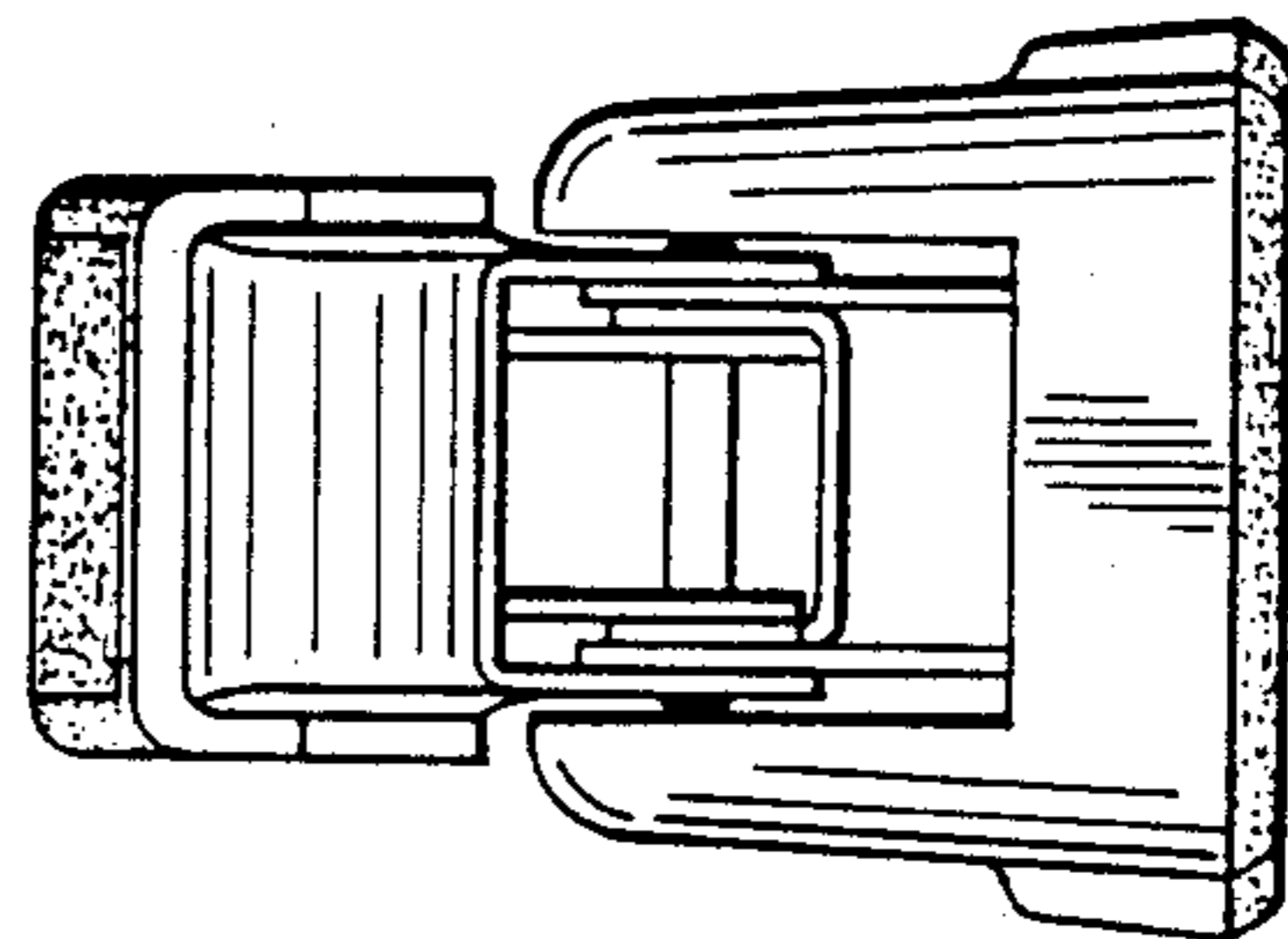


FIG. 5

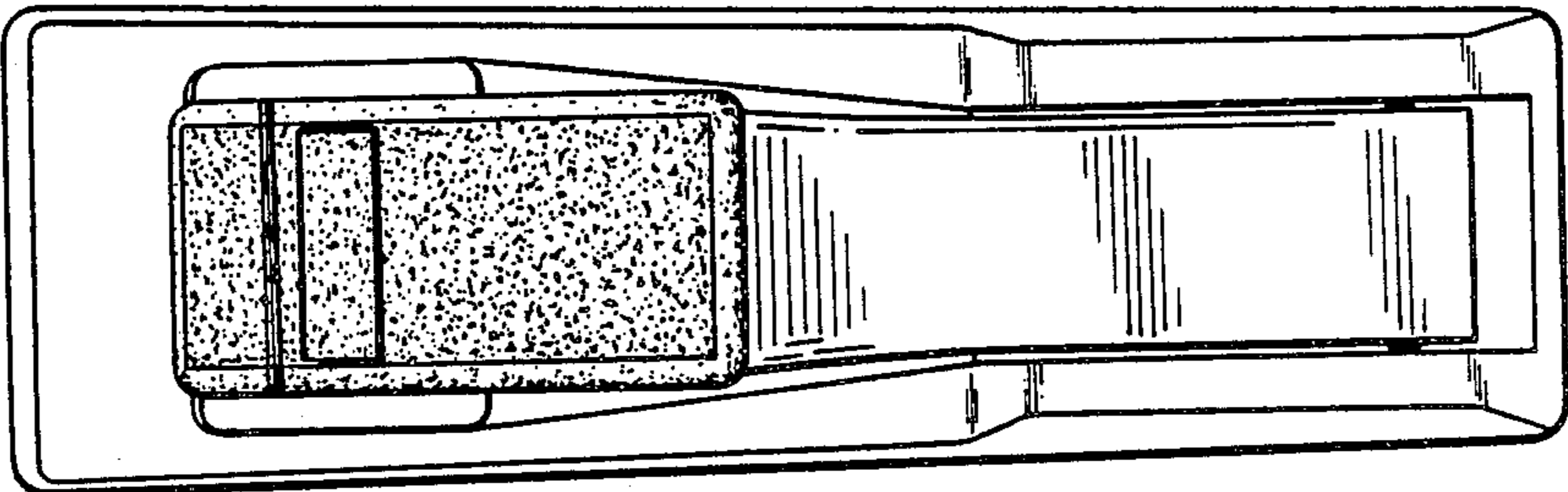


FIG. 6

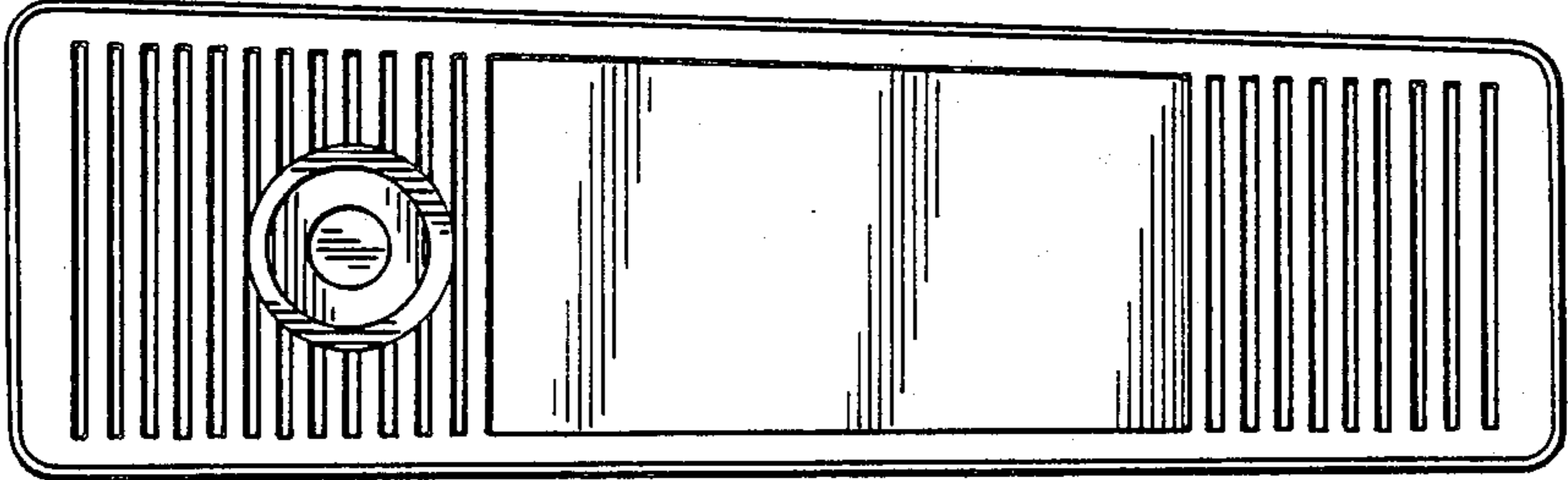


FIG. 7