

[54] KETTLE

[75] Inventor: Hiroshi Yano, Tokyo, Japan

[73] Assignee: Hokusei Nikkei Household Utensils, Co., Ltd., Toyama, Japan

[**] Term: 14 Years

[21] Appl. No.: 808,274

[22] Filed: Dec. 12, 1985

[52] U.S. Cl. D7/322

[58] Field of Search D7/300, 312, 316-322

[56] References Cited

U.S. PATENT DOCUMENTS

D. 82,567	11/1930	Lawson	D7/321
D. 160,912	11/1950	Ziskin et al.	D7/322
D. 163,725	6/1951	Welden	D7/322
D. 164,413	9/1951	Finch	D7/322
3,091,302	5/1963	Wolven	D7/312 X

OTHER PUBLICATIONS

Hong Kong Household, Oct. 1984 cat., p. 36, Stainless Steel Kettle/The Grandeur Al.Ware Mfg. Co.

Primary Examiner—Winifred E. Herrmann
Attorney, Agent, or Firm—Finnegan, Henderson, Farabow, Garrett and Dunner

[57] CLAIM

The ornamental design for a kettle, substantially as shown and described.

DESCRIPTION

FIG. 1 is a top, front perspective view of a kettle showing my new design;
FIG. 2 is a front elevational view of FIG. 1, the rear elevational view is a mirror image thereof.
FIG. 3 is a bottom plan view of FIG. 1;
FIG. 4 is a left side elevational view of FIG. 1;
FIG. 5 is a right side elevational view of FIG. 1;
FIG. 6 is another front elevational view with the cap in an open position; and
FIG. 7 is another left side elevational view with the cap in an open position.

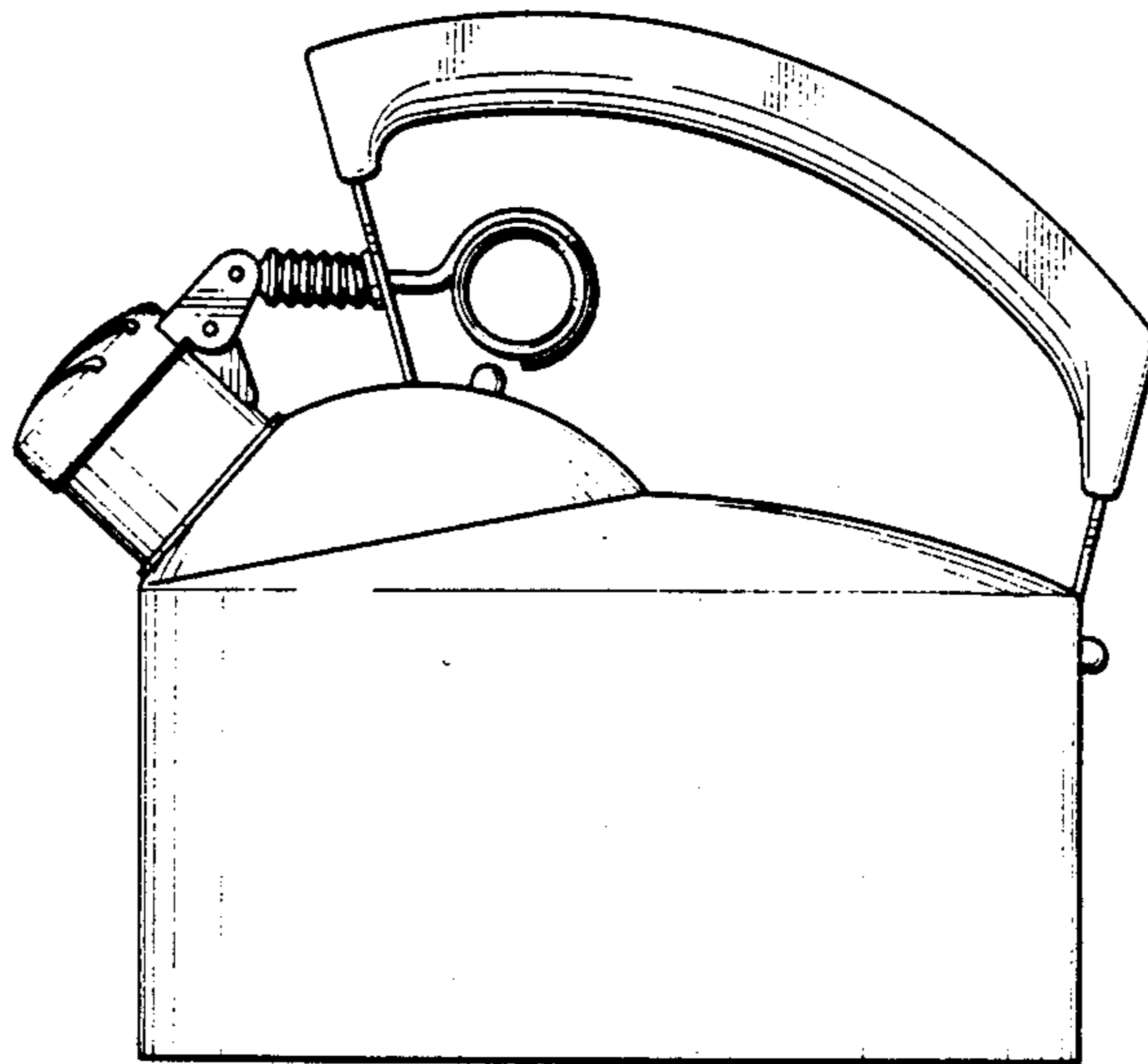


Fig. 1

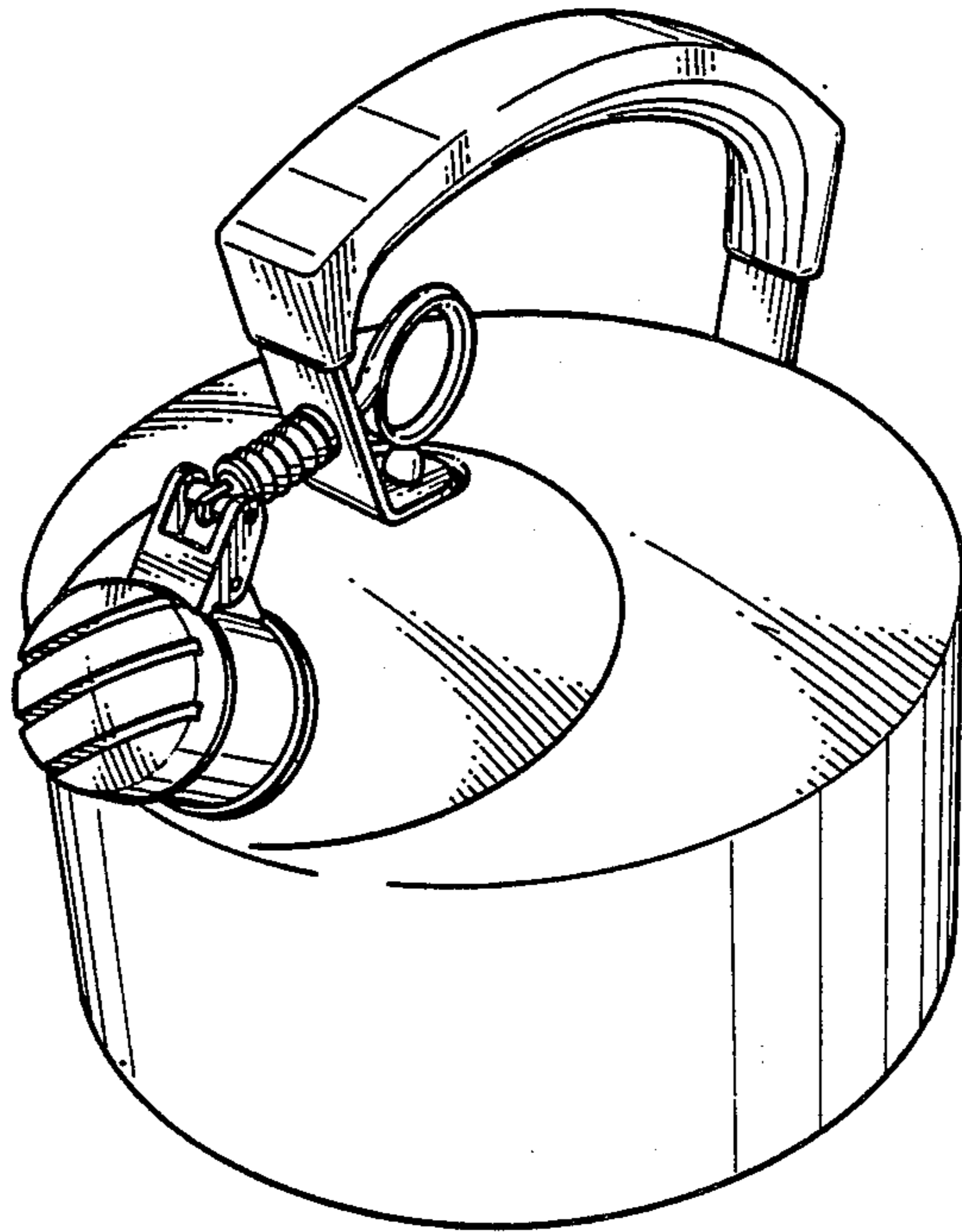


Fig. 2

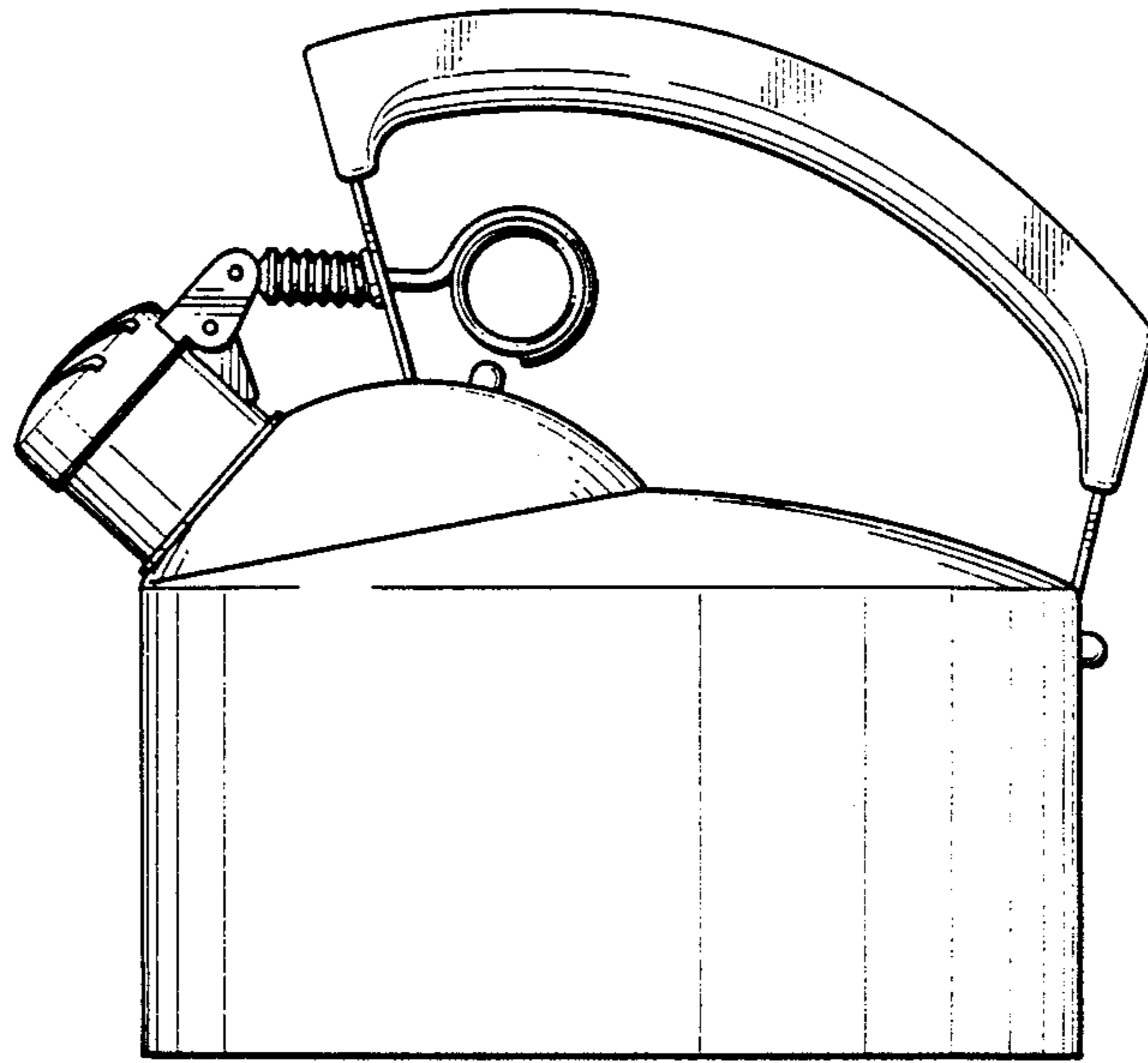


Fig. 3

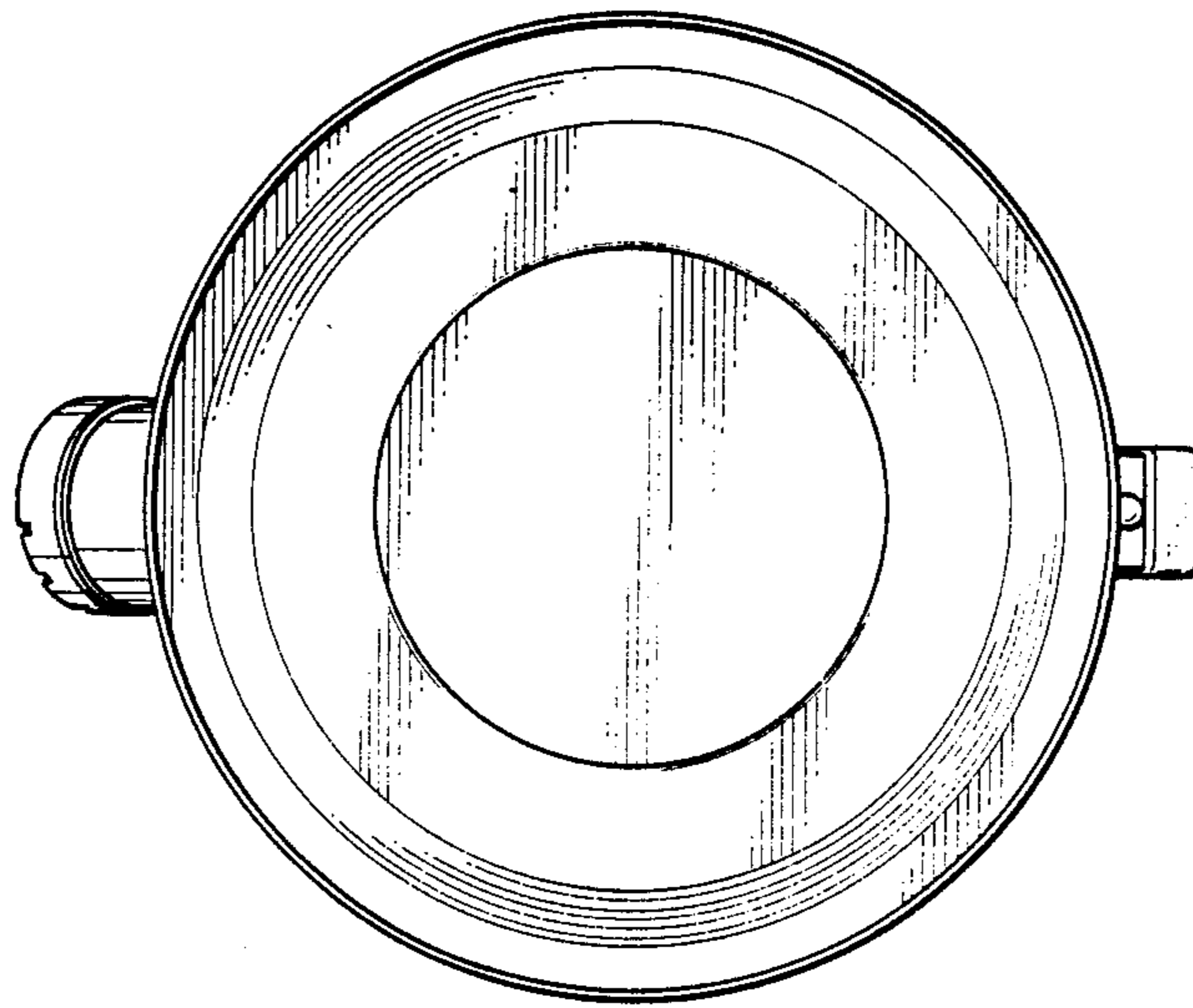


Fig. 4

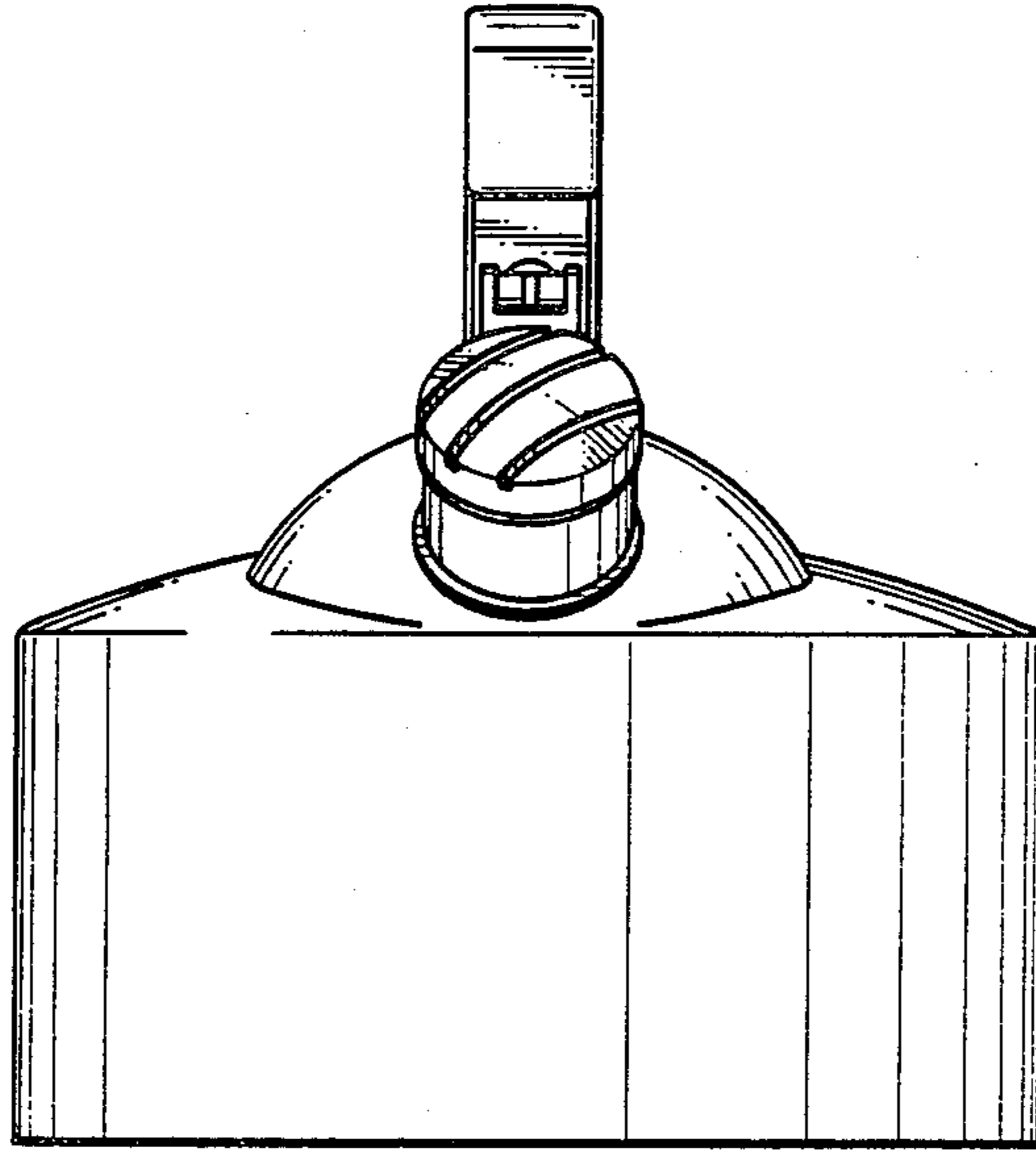


Fig. 5

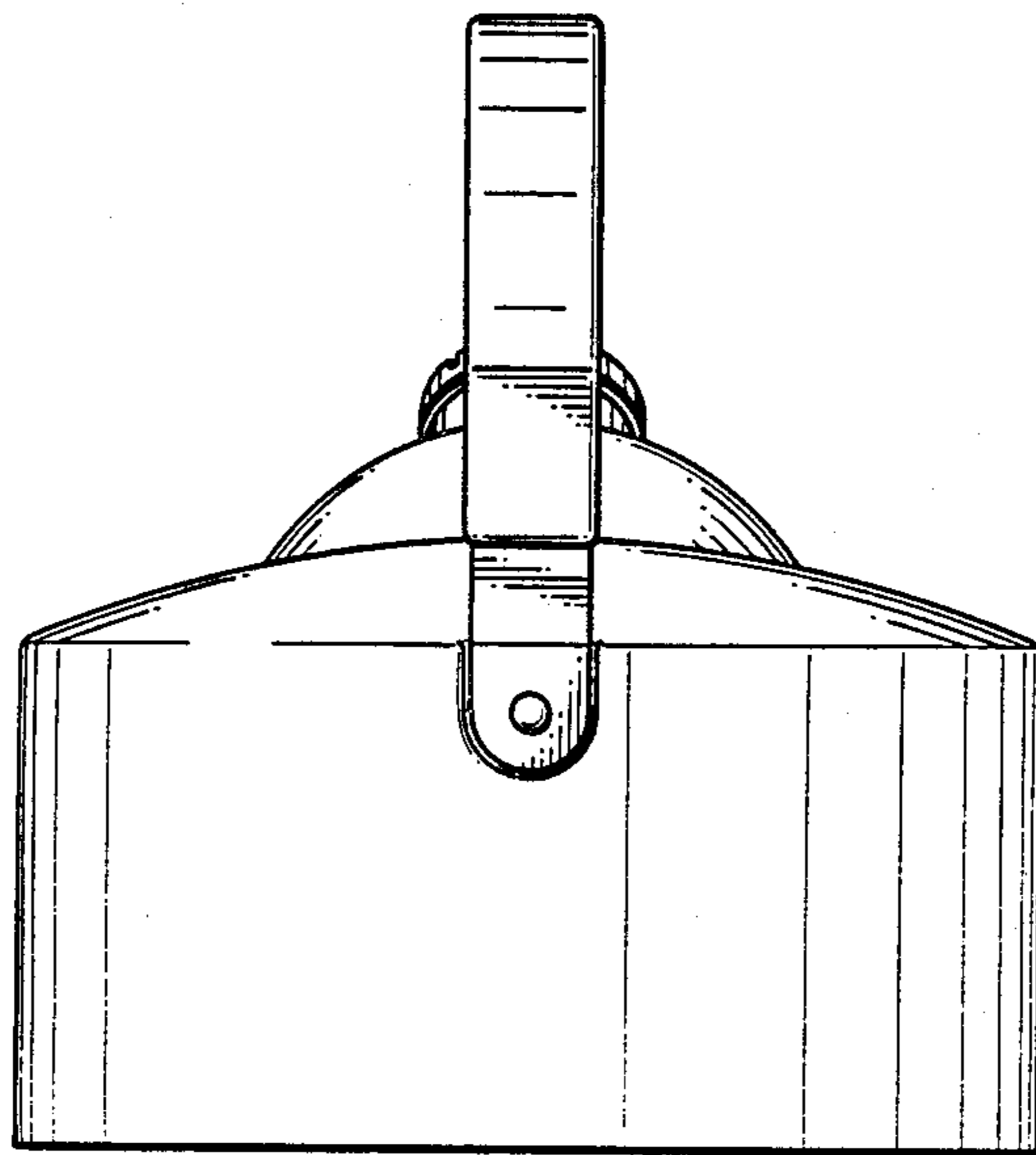


Fig. 6

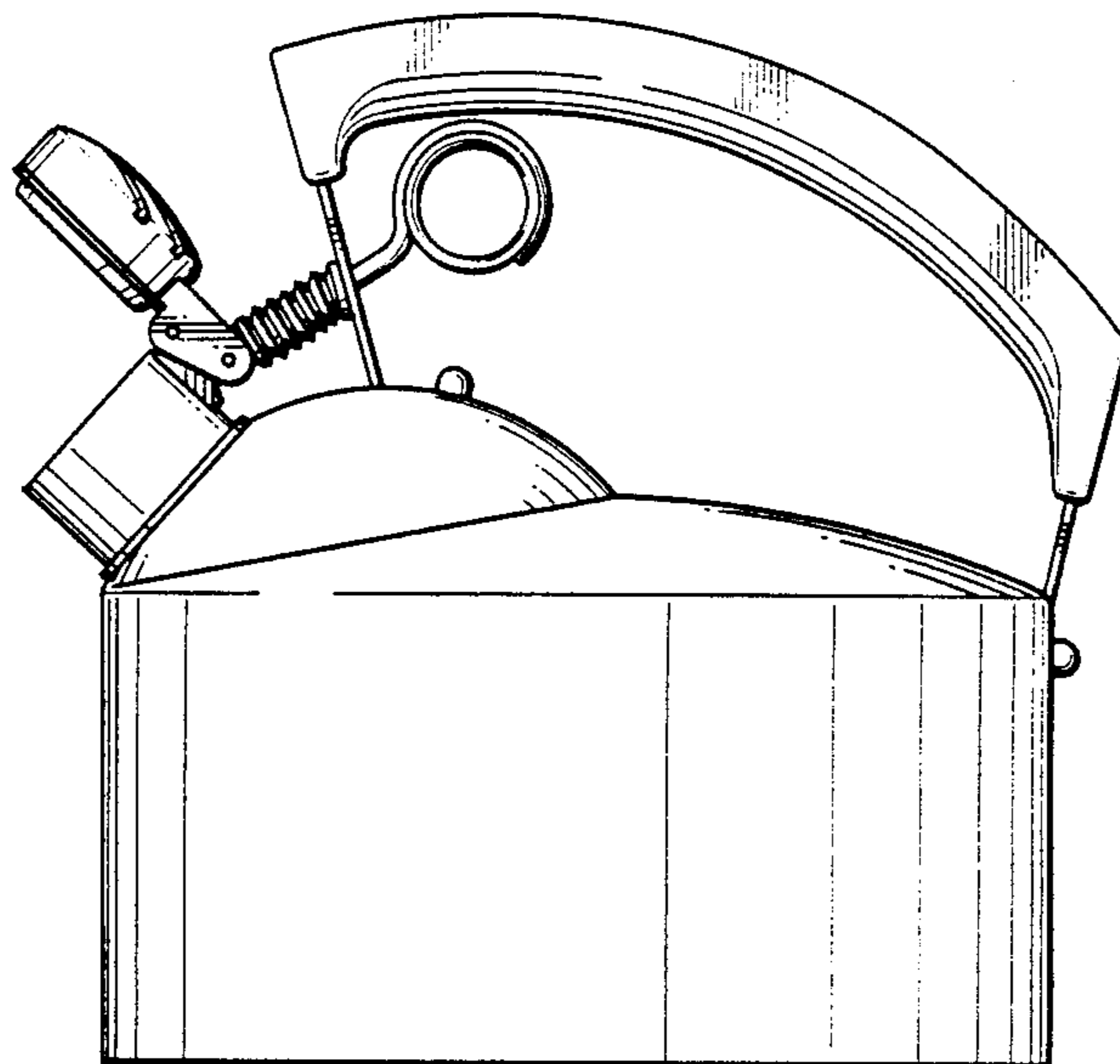


Fig. 7

