

[54] HOT BEVERAGE DISPENSER

[76] Inventor: Joe D. Belcher, 706 N. Florida Ave., Wauchula, Fla. 33873

[\*\*] Term: 14 Years

[21] Appl. No.: 781,748

[22] Filed: Sep. 30, 1985

[52] U.S. CL. .... D7/309; D7/308; D7/311

[58] Field of Search ..... D7/300, 305, 312, 309, D7/311, 310, 308

[56] References Cited

U.S. PATENT DOCUMENTS

- D. 193,083 6/1962 Hopcraft ..... D7/311
- D. 200,148 1/1965 Sebastian ..... D7/309

- D. 234,832 4/1975 Syverson ..... D7/305
- D. 234,833 4/1975 Syverson ..... D7/305
- D. 242,498 11/1976 Syverson ..... D7/305

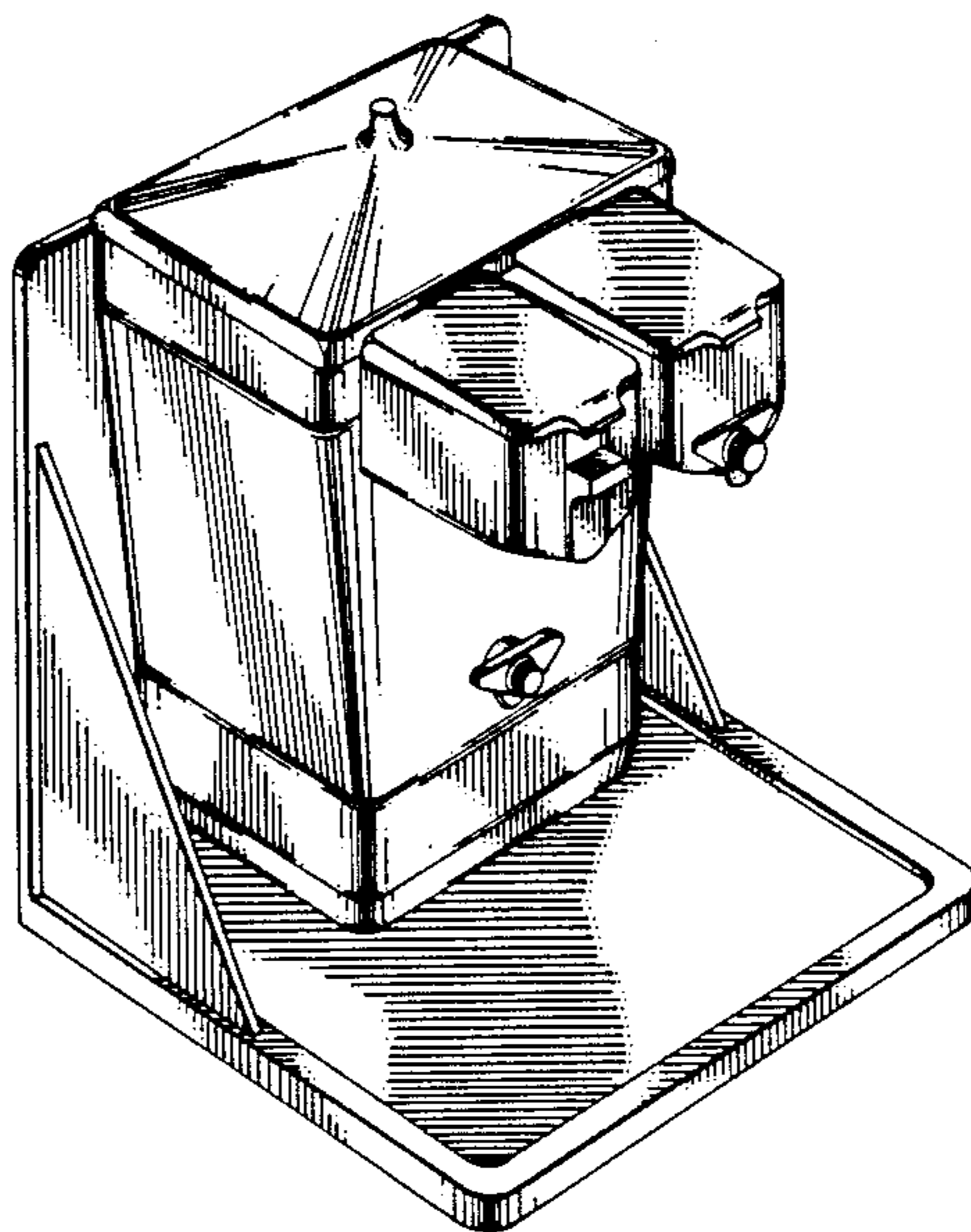
Primary Examiner—Winifred E. Herrmann  
Attorney, Agent, or Firm—William M. Hobby

[57] CLAIM

The ornamental design for a hot beverage dispenser, as shown.

DESCRIPTION

FIG. 1 is a top, front, and left side perspective view of a hot beverage dispenser showing my new design;  
 FIG. 2 is a bottom plan view;  
 FIG. 3 is a top plan view;  
 FIG. 4 is a front elevation;  
 FIG. 5 is a rear elevation; and  
 FIG. 6 is a right side elevation.



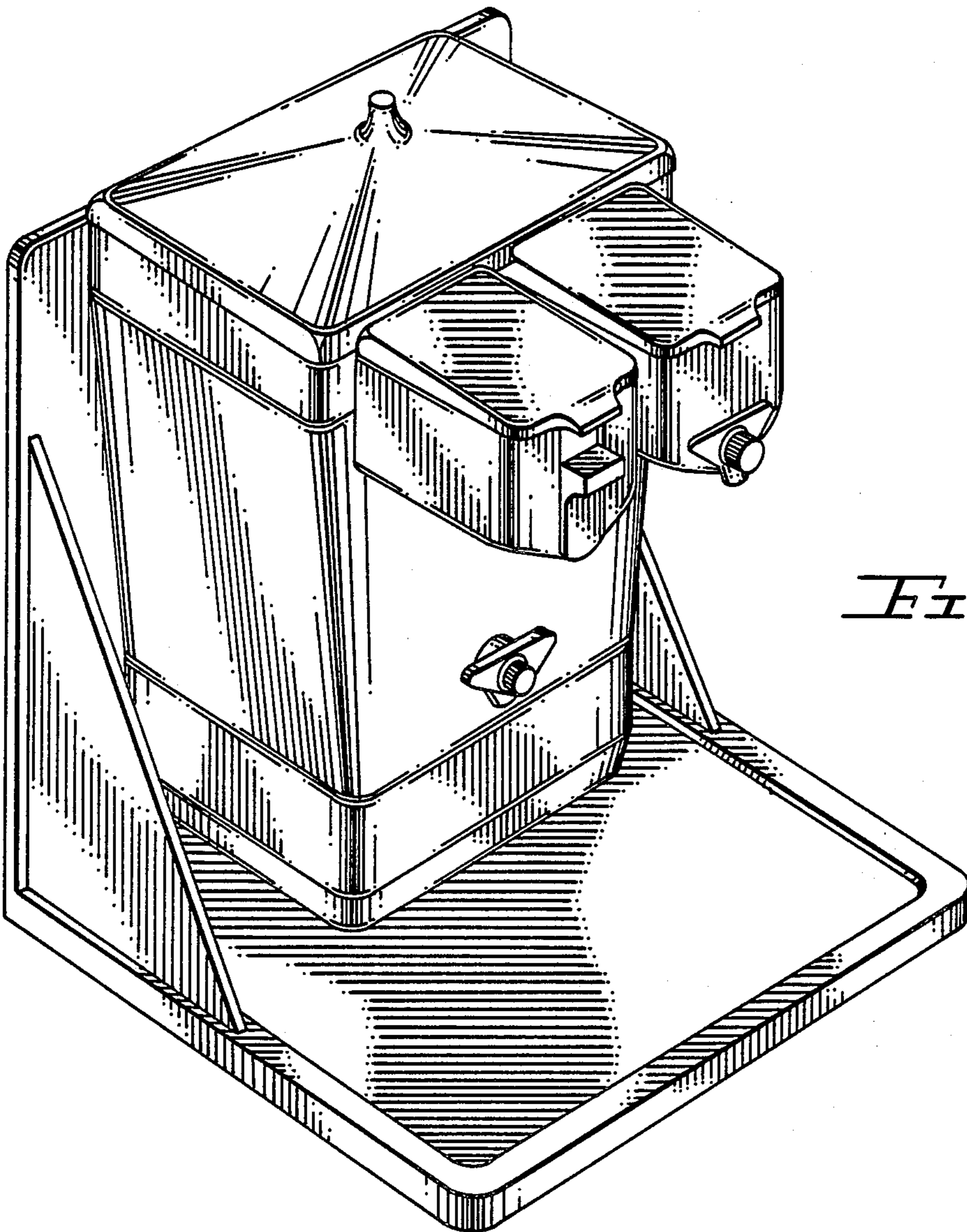


FIG. 1

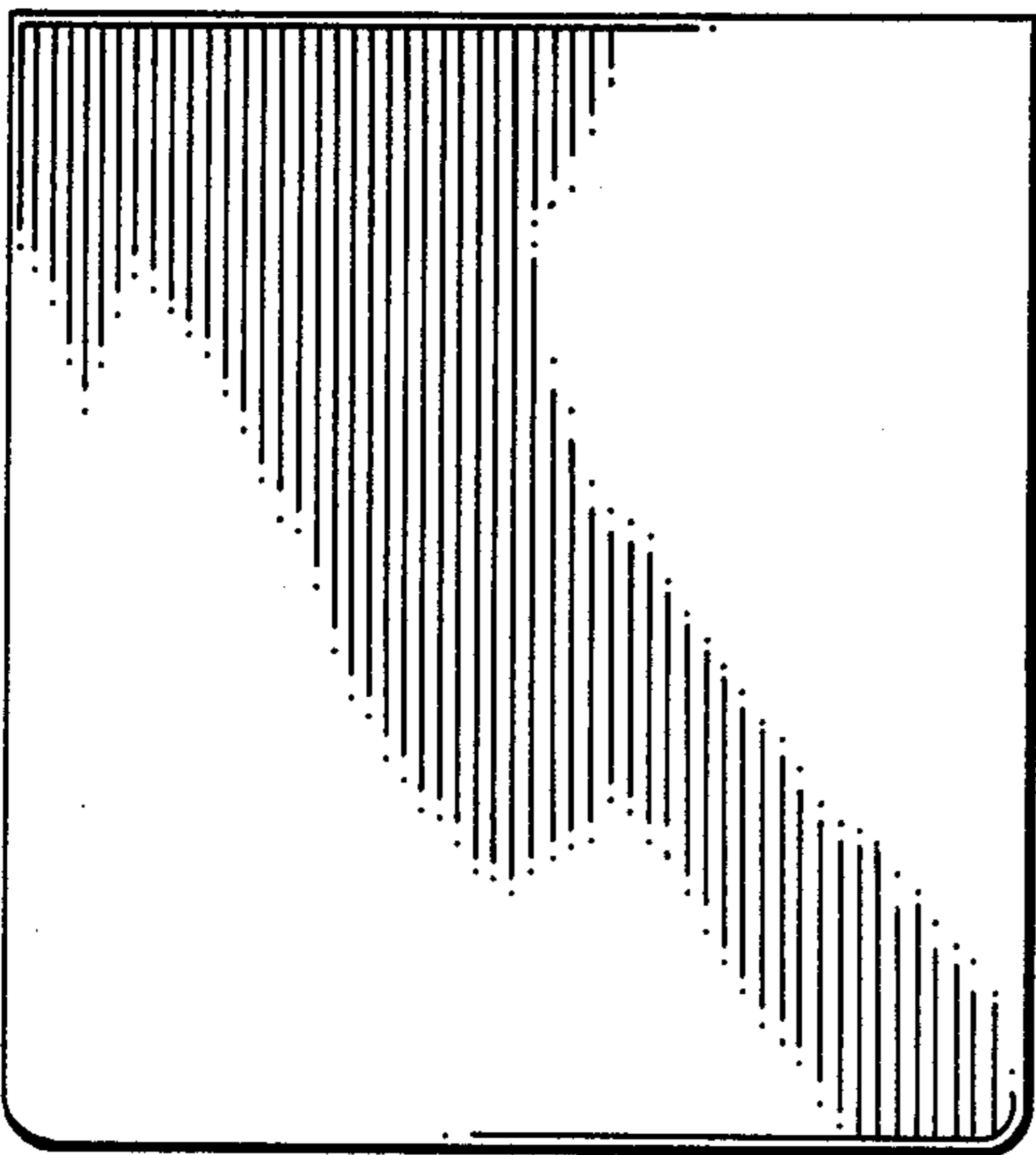


FIG. 2

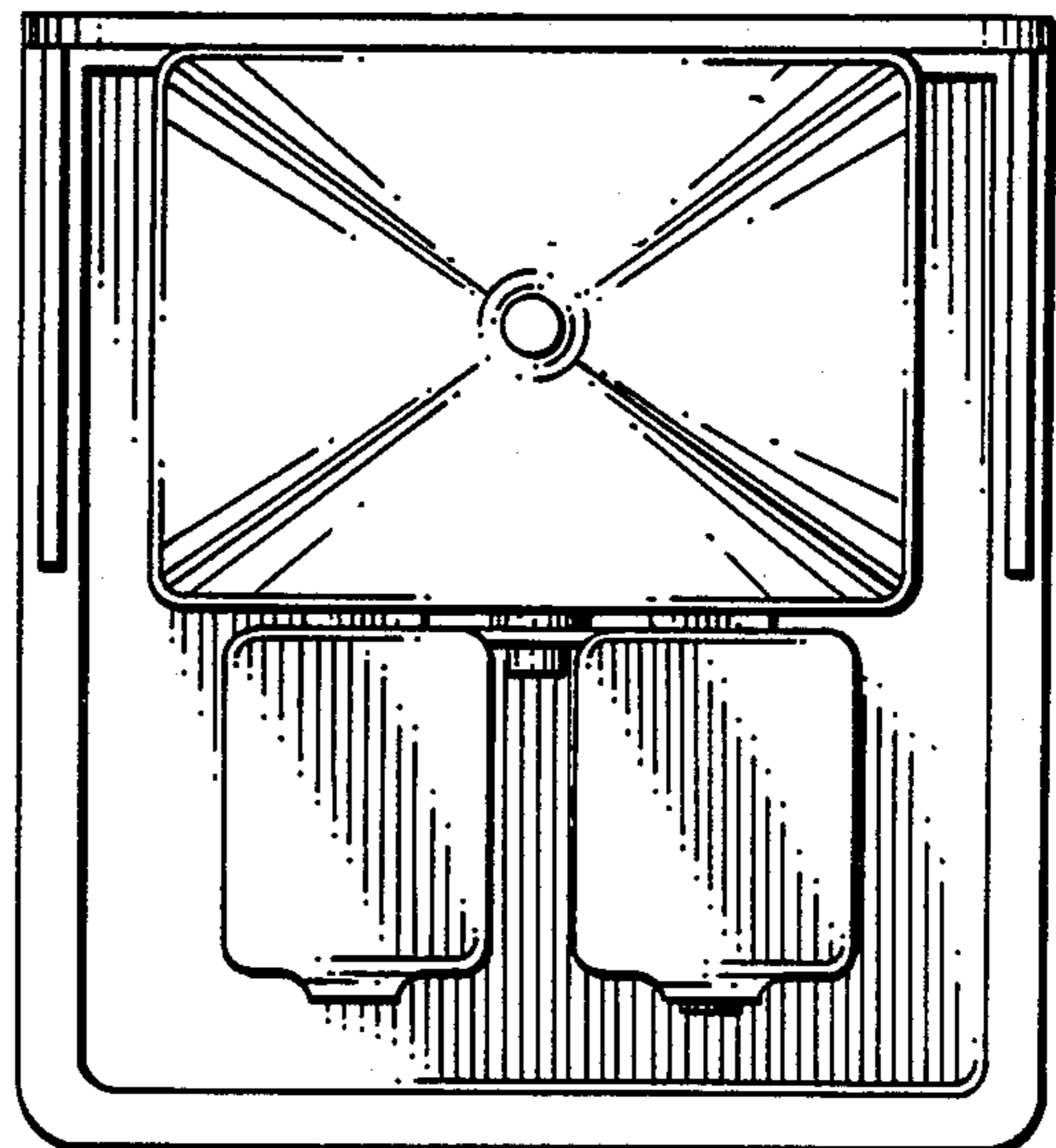


FIG. 3

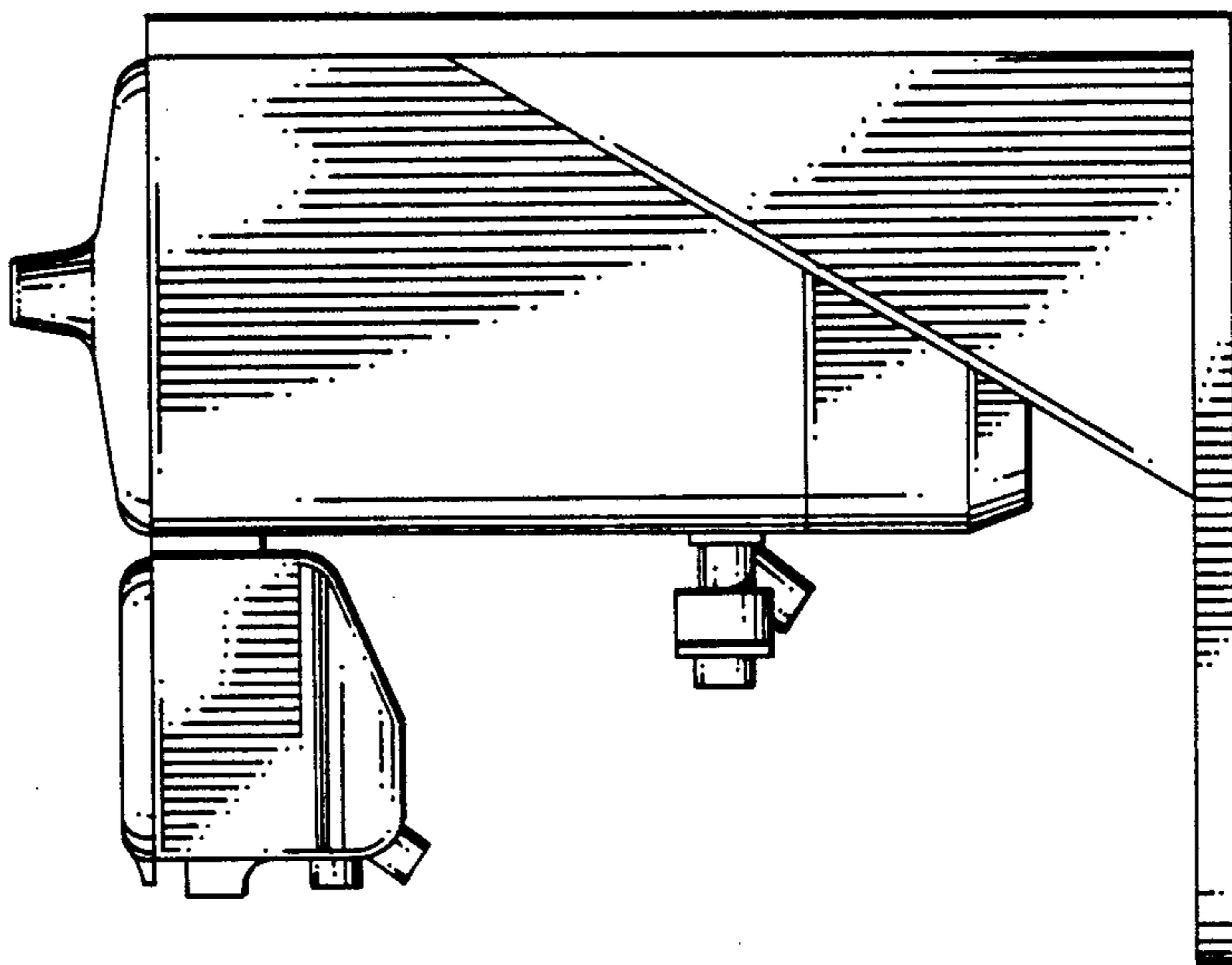


FIG. 6

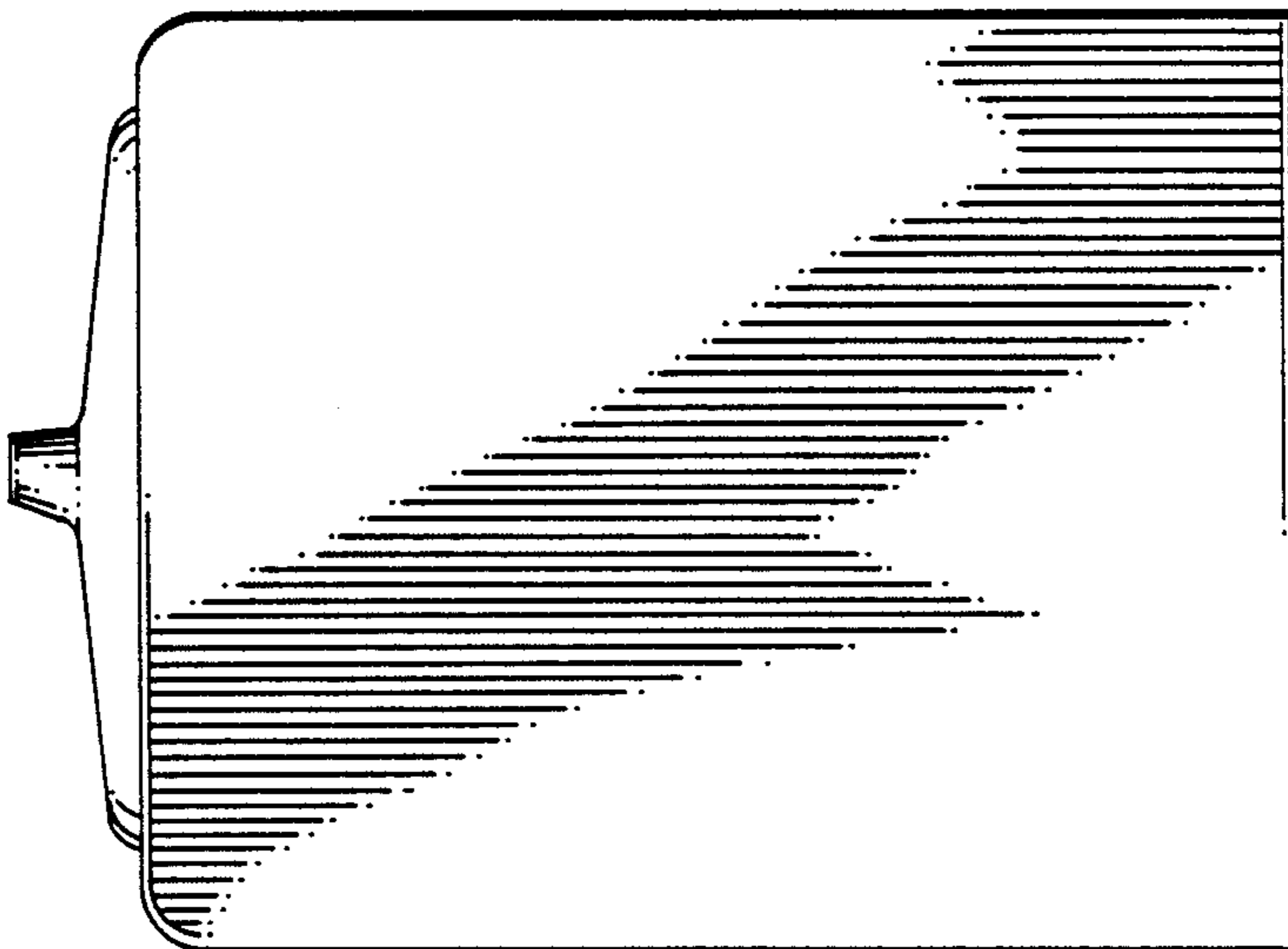


FIG. 5

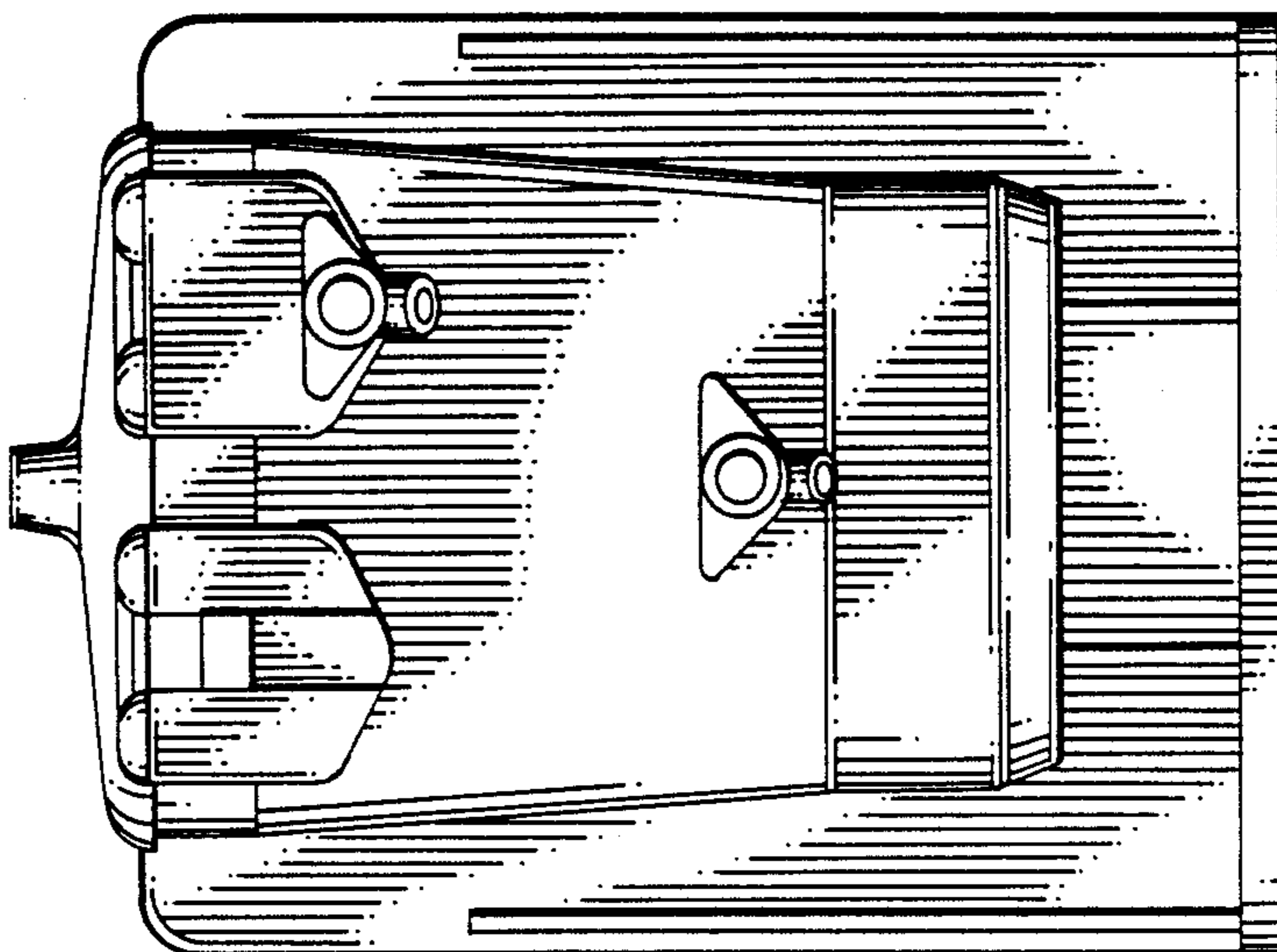


FIG. 4