

[54] NAPKIN DISPENSER COVER

[75] Inventors: Paul A. Omdoll, Palmyra; Scott J. Collins, Milwaukee, both of Wis.

[73] Assignee: San Jamar, Inc., Palmyra, Wis.

[\*\*] Term: 14 Years

[21] Appl. No.: 758,432

[22] Filed: Jul. 24, 1985

[52] U.S. Cl. .... D7/72

[58] Field of Search ..... D7/72; D9/418, 339; 206/494, 449, 812; 221/45, 46, 63

[56] References Cited

U.S. PATENT DOCUMENTS

D. 148,285 1/1948 Cofrin et al. .... D7/72  
D. 195,881 8/1963 Holzwarth ..... D7/72

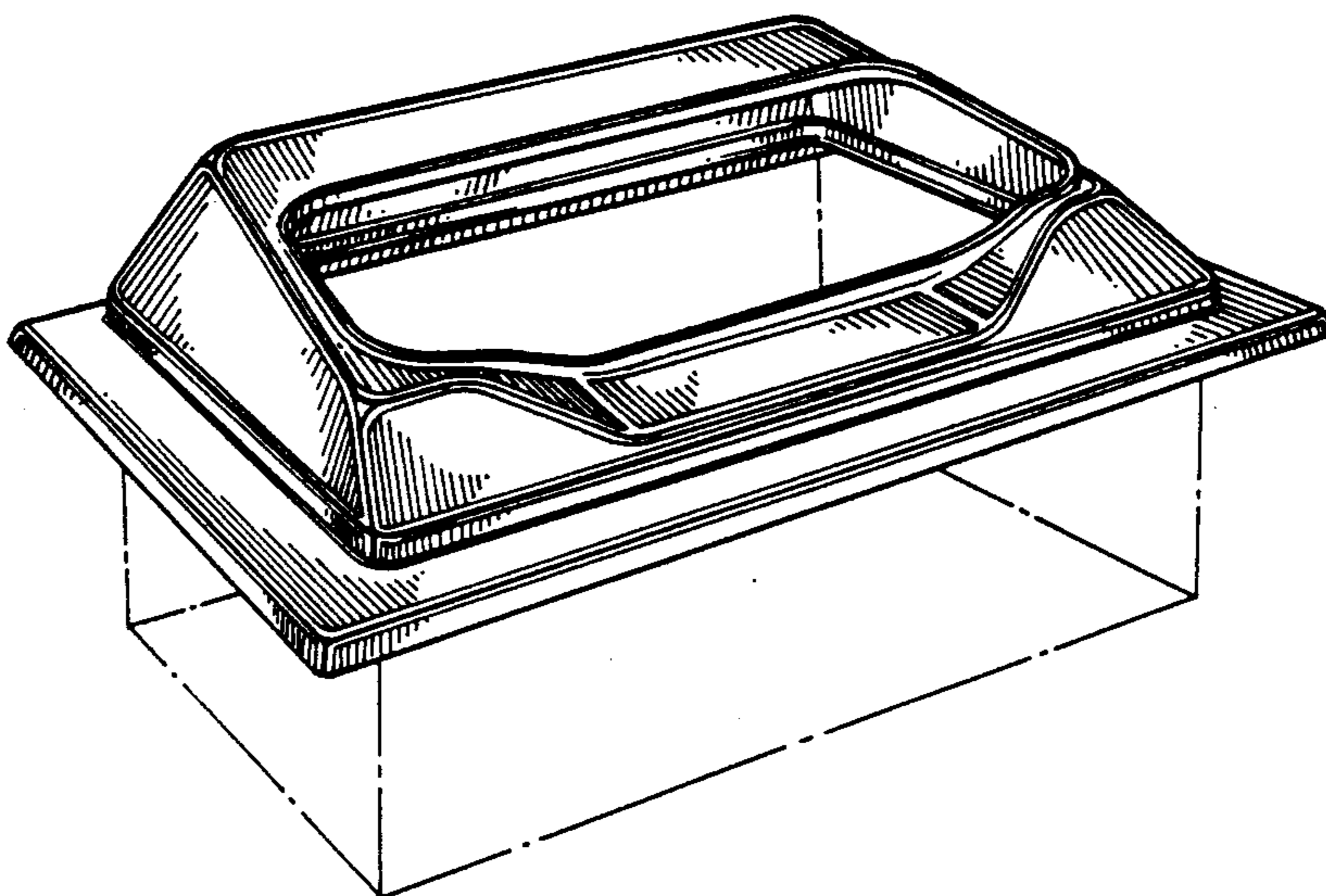
Primary Examiner—Bernard Ansher  
Assistant Examiner—Terry Pfeffer  
Attorney, Agent, or Firm—Penrose Lucas Albright

[57] CLAIM

The ornamental design for napkin dispenser cover, as shown and described.

DESCRIPTION

FIG. 1 is a top, front, left side perspective view of a napkin dispenser cover showing our new design; and FIG. 2 is a top, rear, right side perspective view thereof. The broken line showing the base portion is for illustrative purposes only.



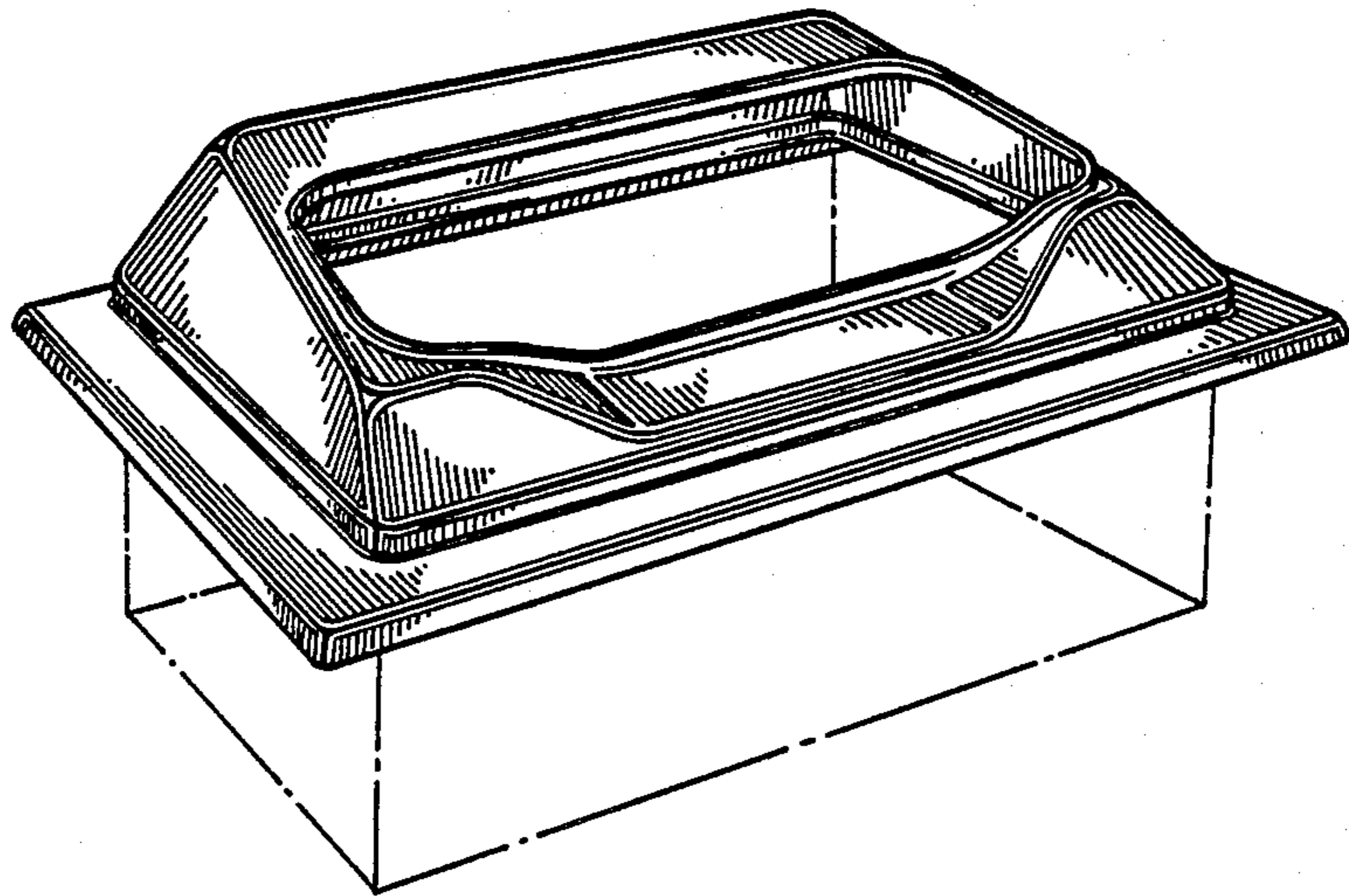


FIG. 1

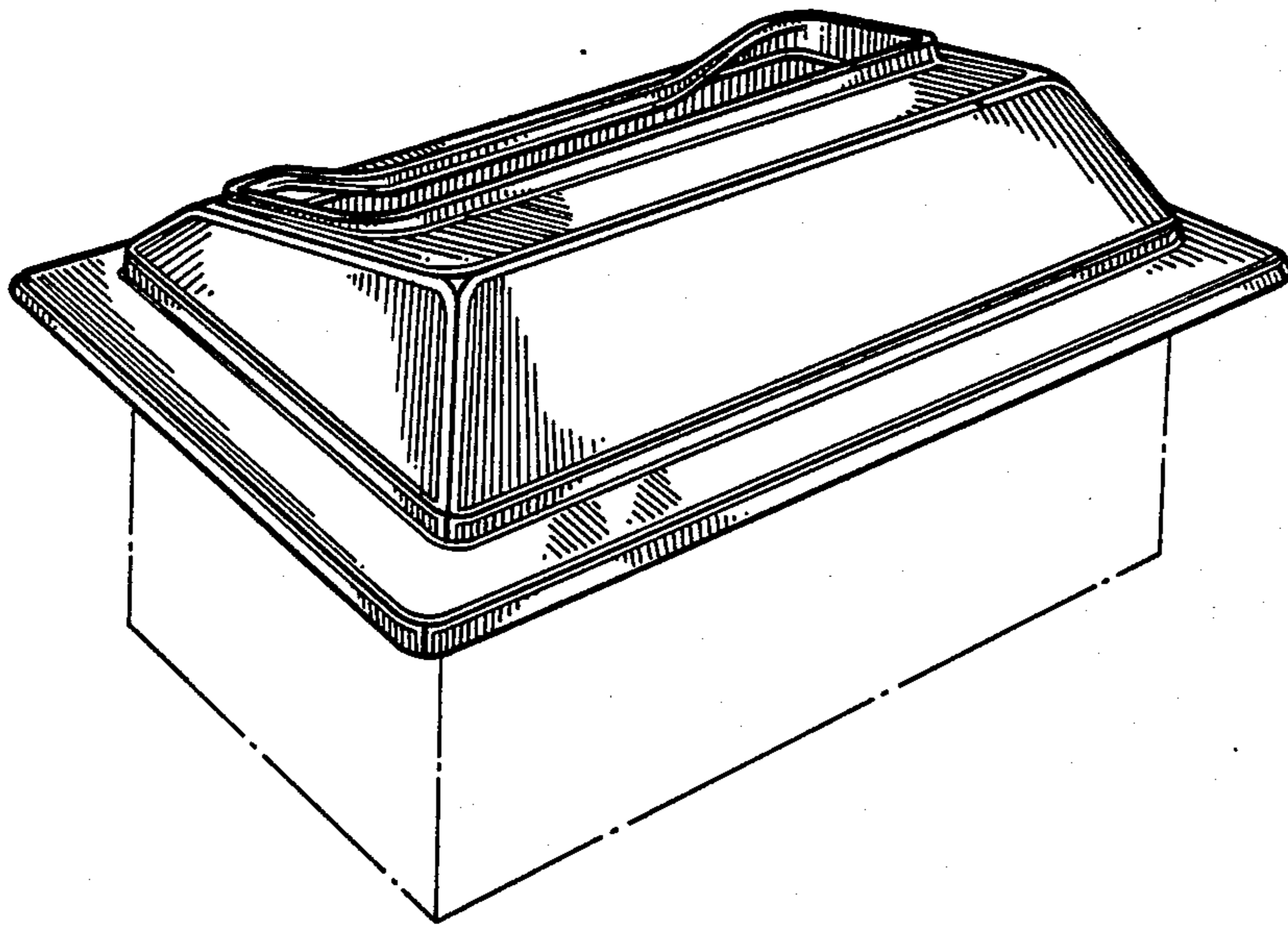


FIG. 2