

[54] PAPER TOWEL HOLDER

[76] Inventor: Lawrence Pirrone, 345 Jacqueline Ave., Virginia Beach, Va. 23462

[\*\*] Term: 14 Years

[21] Appl. No.: 805,935

[22] Filed: Nov. 20, 1985

[52] U.S. Cl. .... D6/521; D6/522; D6/523

[58] Field of Search ..... D6/515, 518, 519, 520, D6/521, 522, 523, 404, 465; 242/55.2, 55.54; 211/87, 182

[56] References Cited

U.S. PATENT DOCUMENTS

- D. 54,183 11/1919 Rylander ..... D6/465
- D. 253,265 10/1979 Miller ..... D6/521
- D. 277,622 2/1985 Servadio ..... D6/520

- D. 281,841 12/1985 Smith ..... D6/404
- 2,517,809 8/1950 Tarzian ..... 242/55.2
- 3,227,386 1/1966 Pitcher ..... 242/55.2

Primary Examiner—B. J. Bullock  
Attorney, Agent, or Firm—Sandler & Greenblum

[57] CLAIM

The ornamental design for a paper towel holder, as shown and described.

DESCRIPTION

FIG. 1 is a perspective view of a paper towel holder showing my new design, the broken line showing of a roll of paper towels for illustrative purposes only;  
 FIG. 2 is a front elevational view thereof;  
 FIG. 3 is a left side elevational view thereof, the right side being a mirror image;  
 FIG. 4 is a rear elevational view thereof;  
 FIG. 5 is a top plan view thereof; and  
 FIG. 6 is a bottom plan view thereof.

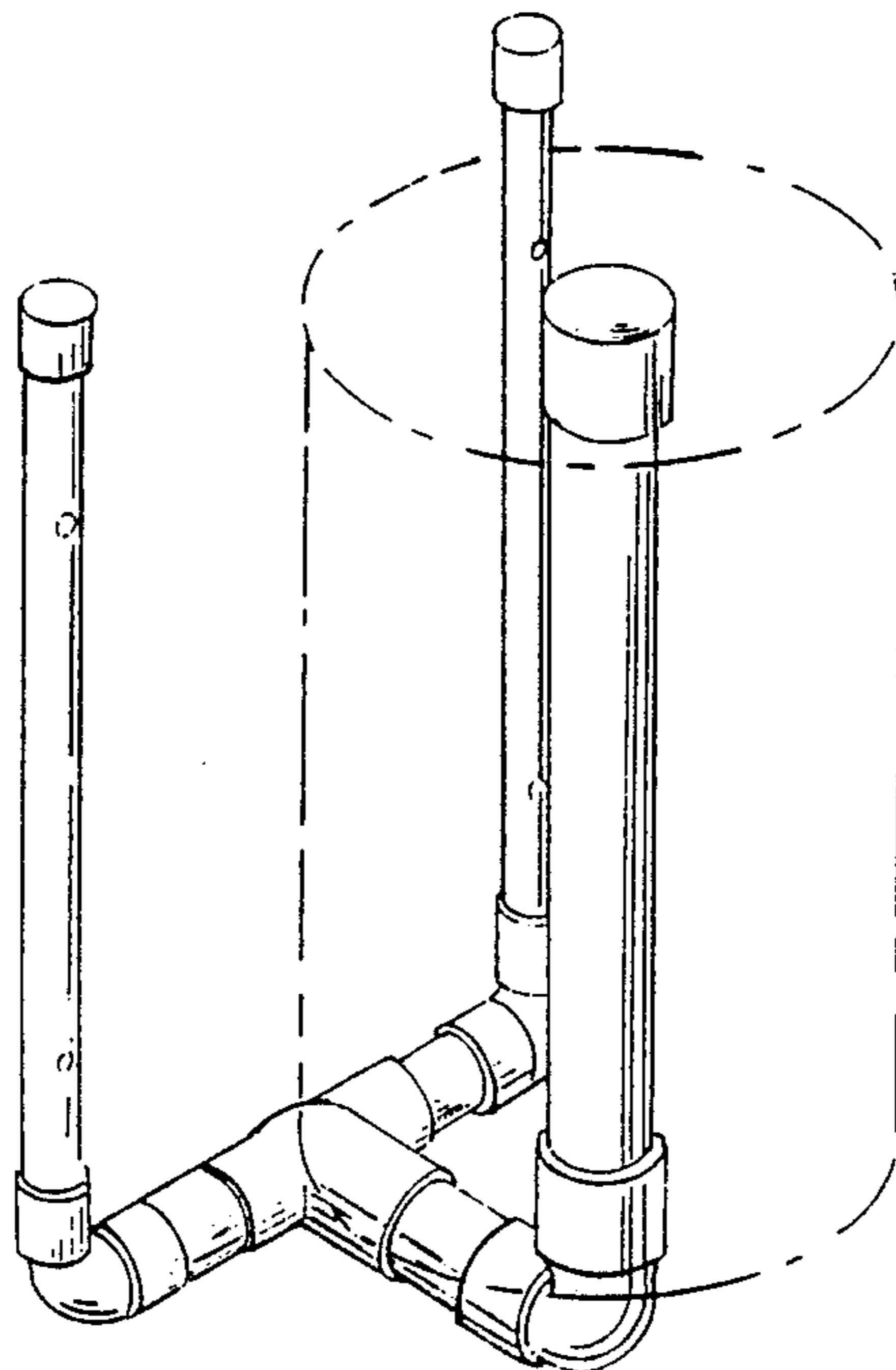


FIG. 1.

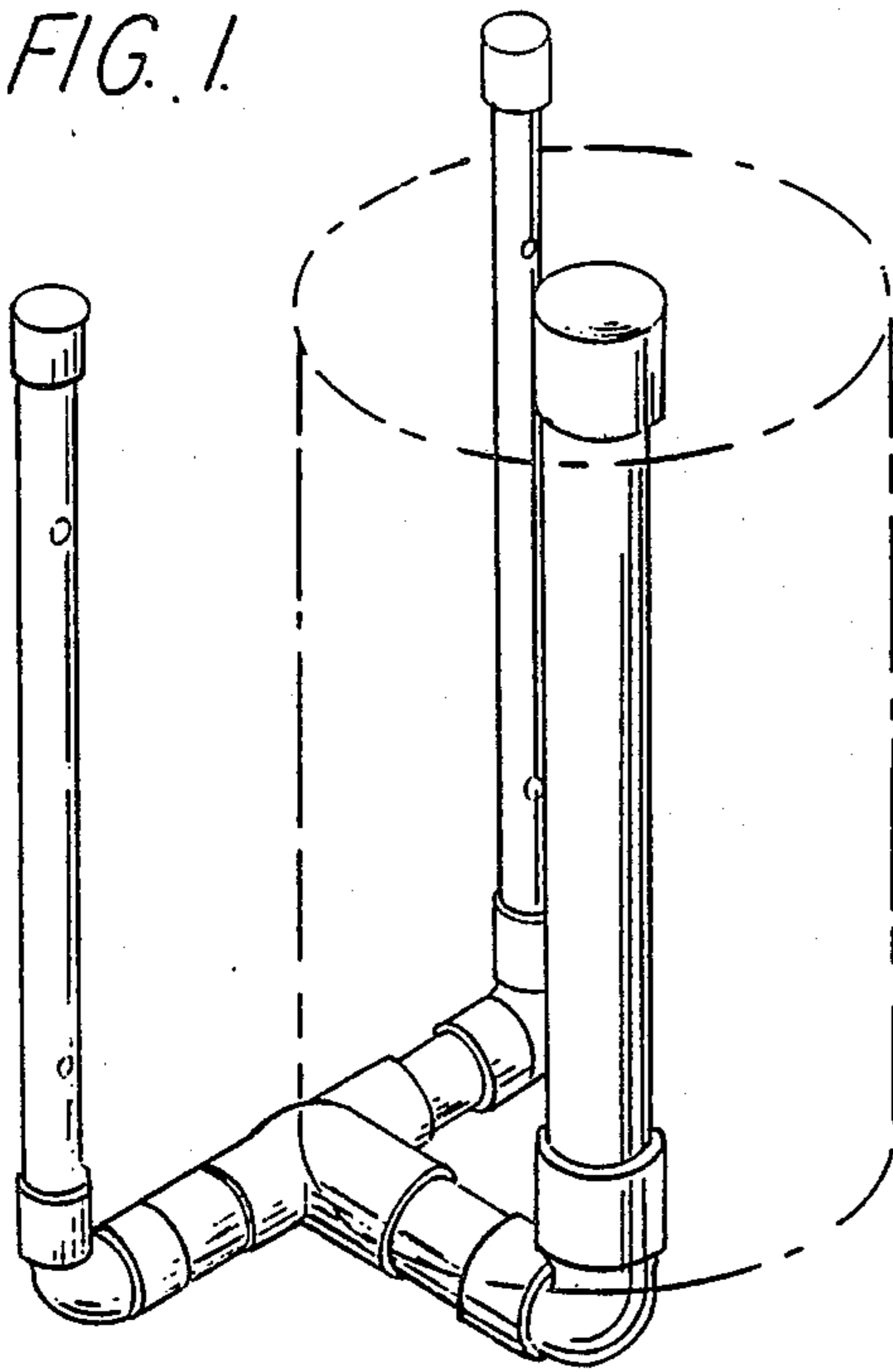


FIG. 2.

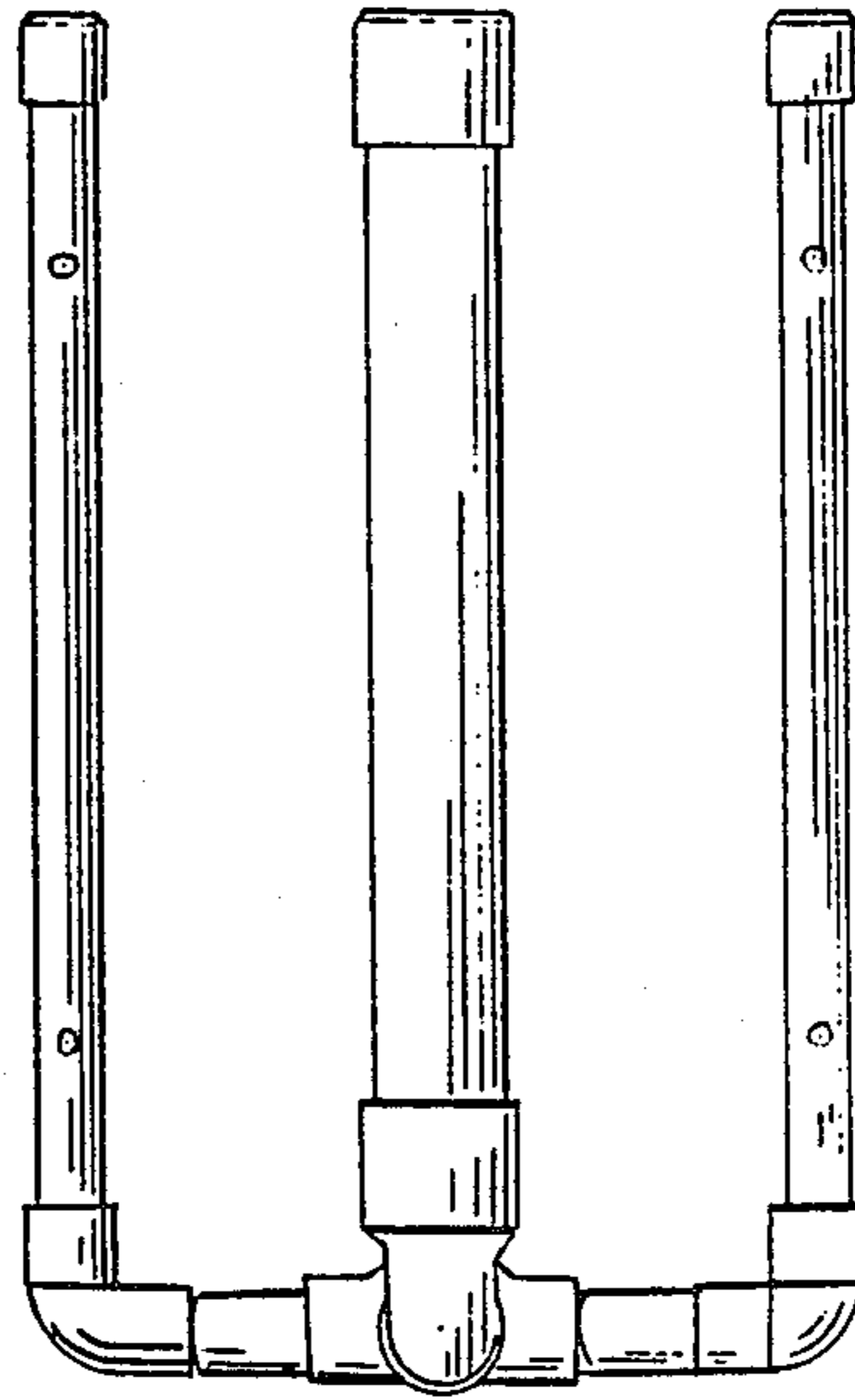


FIG. 3.

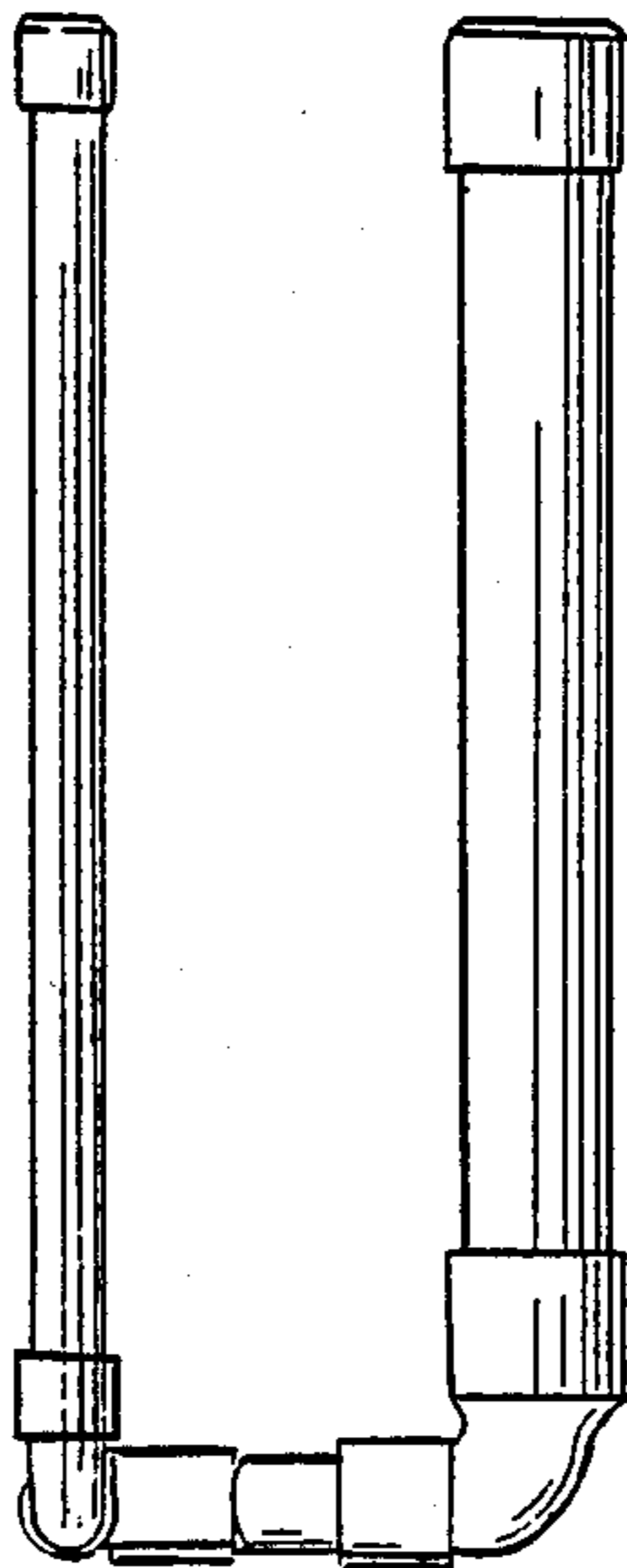


FIG. 4.

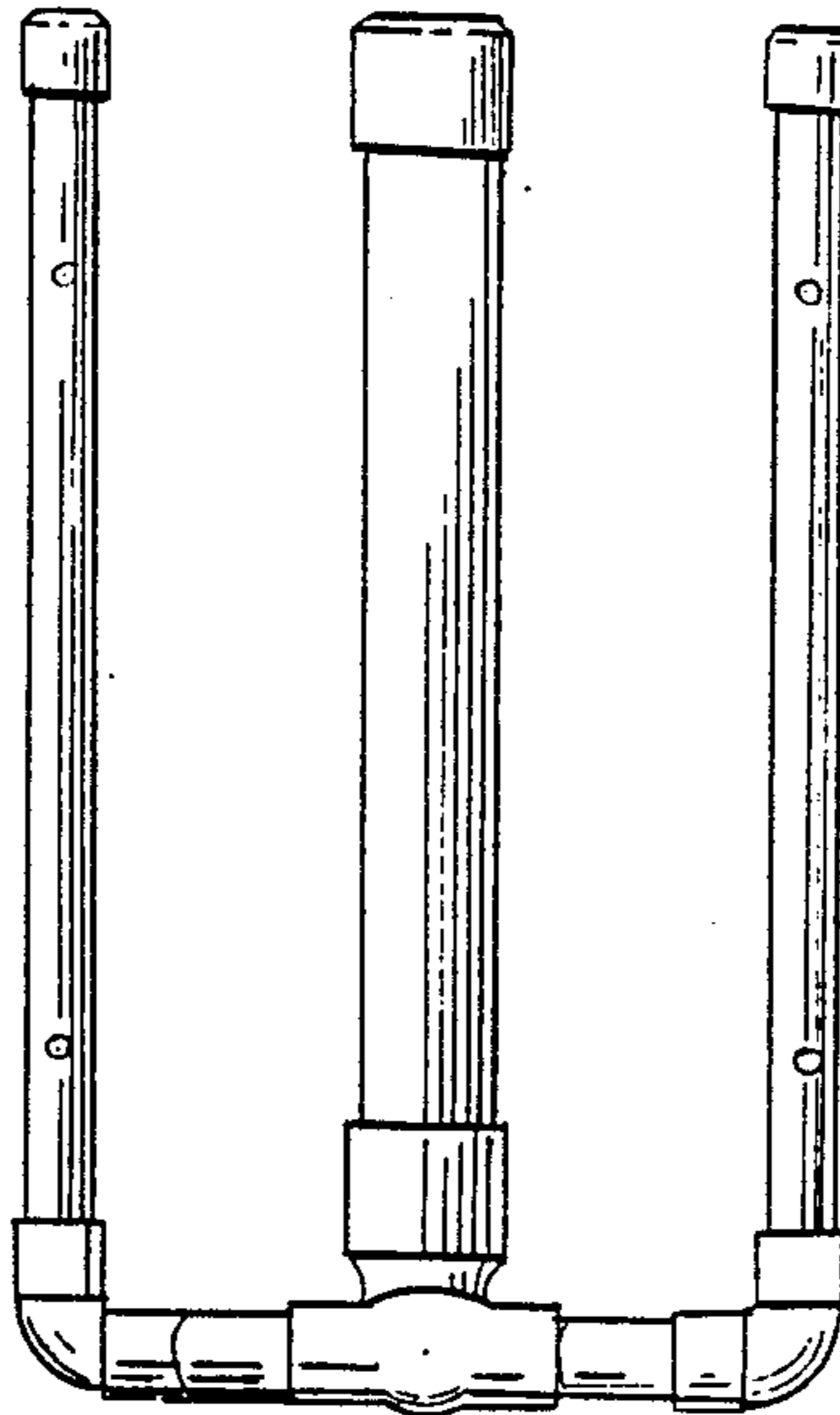


FIG. 5.

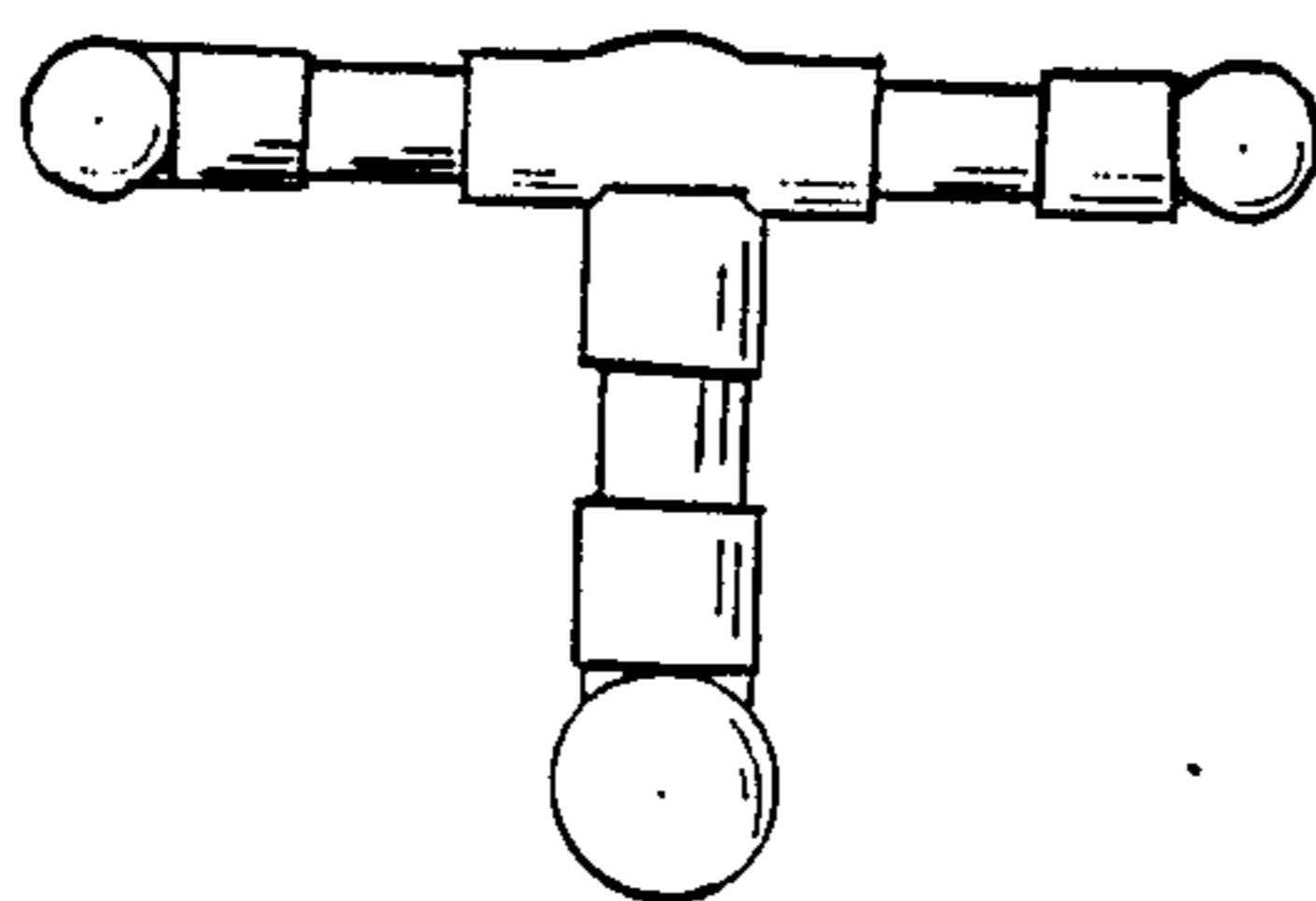


FIG. 6.

