

United States Patent [19]

Rosen

[11] Patent Number: **Des. 296,057**

[45] Date of Patent: **** Jun. 7, 1988**

[54] TABLE

[75] Inventor: Leon Rosen, Scarsdale, N.Y.

[73] Assignee: Pace Collection, Inc., Long Island City, N.Y.

[**] Term: 14 Years

[21] Appl. No.: 752,504

[22] Filed: Jul. 3, 1985

[52] U.S. Cl. D6/484; D6/485

[58] Field of Search D6/449, 477, 478, 479,
D6/480, 482, 484, 487, 488, 485

[56] References Cited

U.S. PATENT DOCUMENTS

D. 49,477 8/1916 Minch D6/484 X
D. 240,185 6/1976 Rosen D6/484 X

D. 240,186 6/1976 Rosen D6/484
D. 273,448 4/1984 Colquhoun D6/485

Primary Examiner—Bruce W. Dunkins
Attorney, Agent, or Firm—Darby & Darby

[57] CLAIM

The ornamental design for a table, as shown and described.

DESCRIPTION

FIG. 1 is a perspective view of a table showing my design;

FIG. 2 is a top plan view;

FIG. 3 is an elevational view showing one of the two identical sides.

FIG. 4 is an elevational view showing one of the two identical ends.

FIG. 5 is a bottom plan thereof.

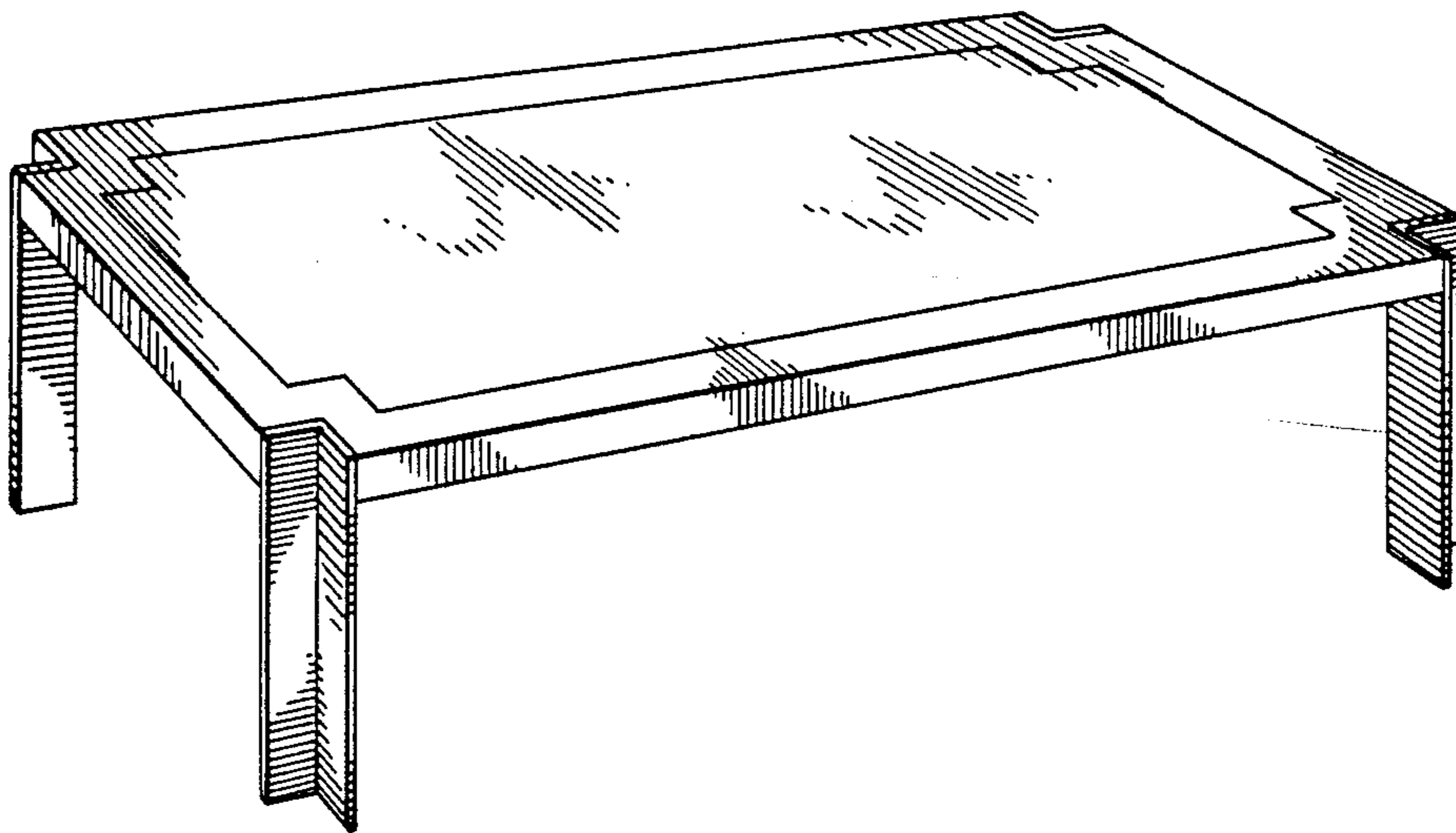


FIG. 1

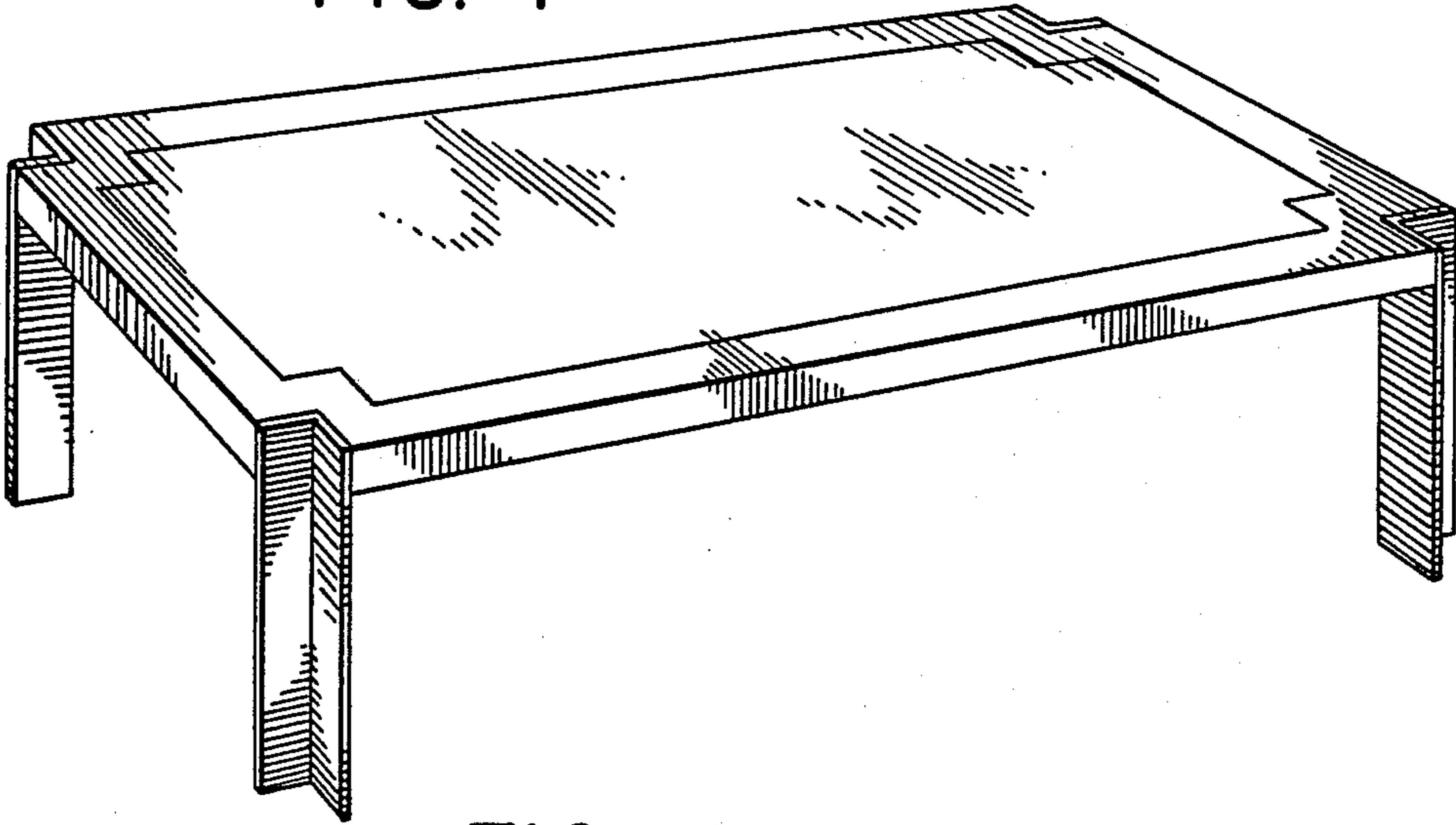


FIG. 2

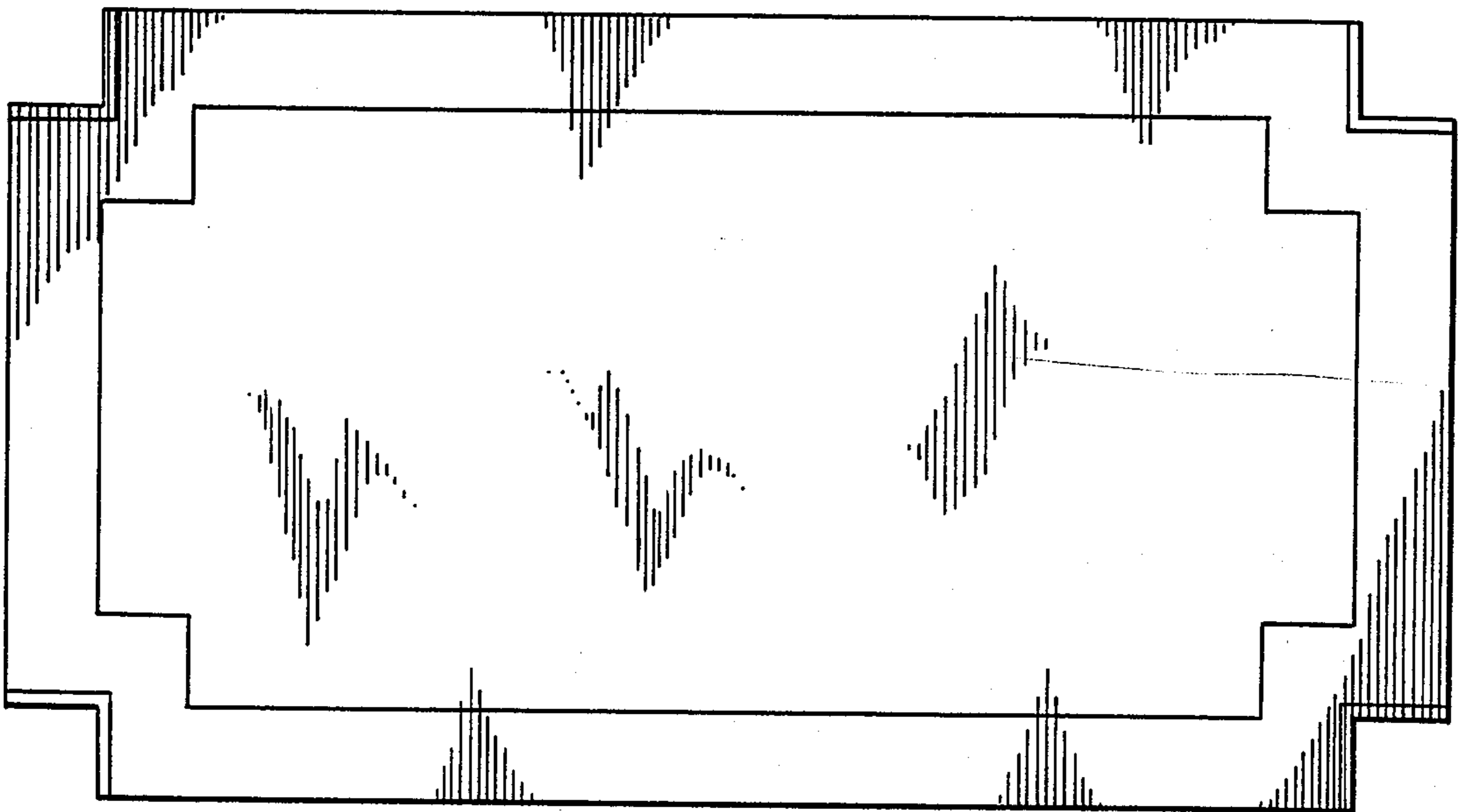


FIG. 3

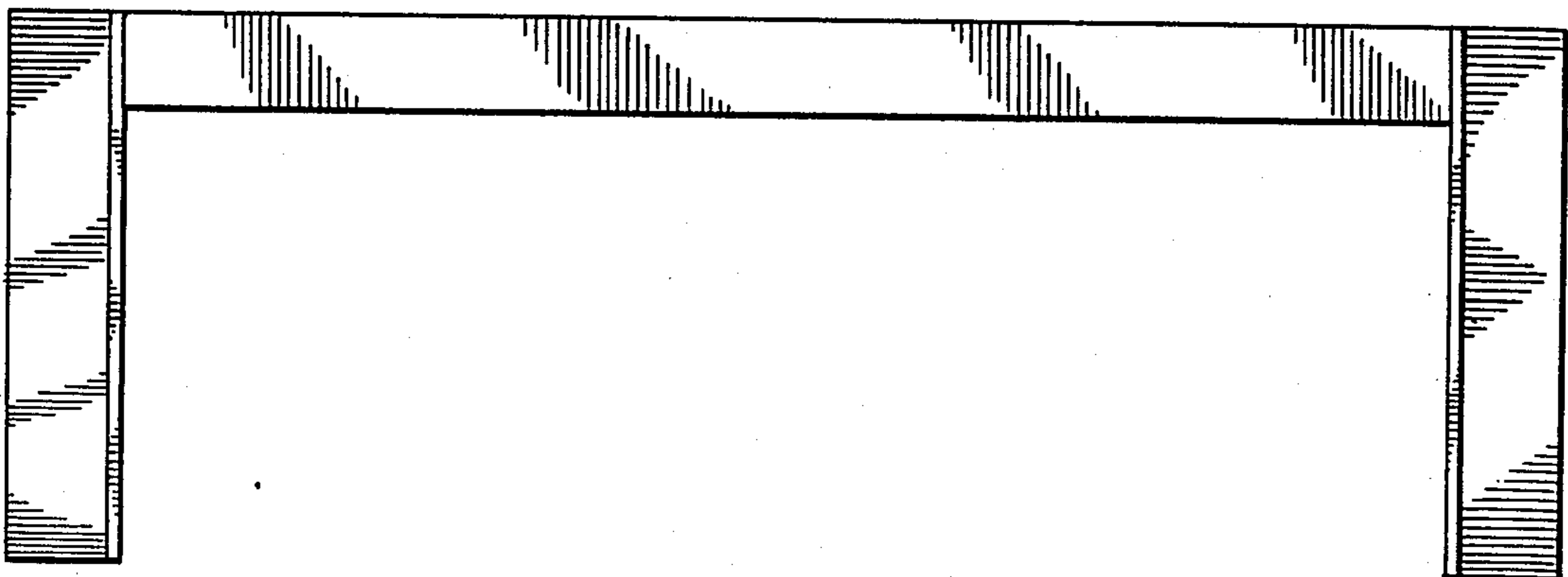


FIG. 4

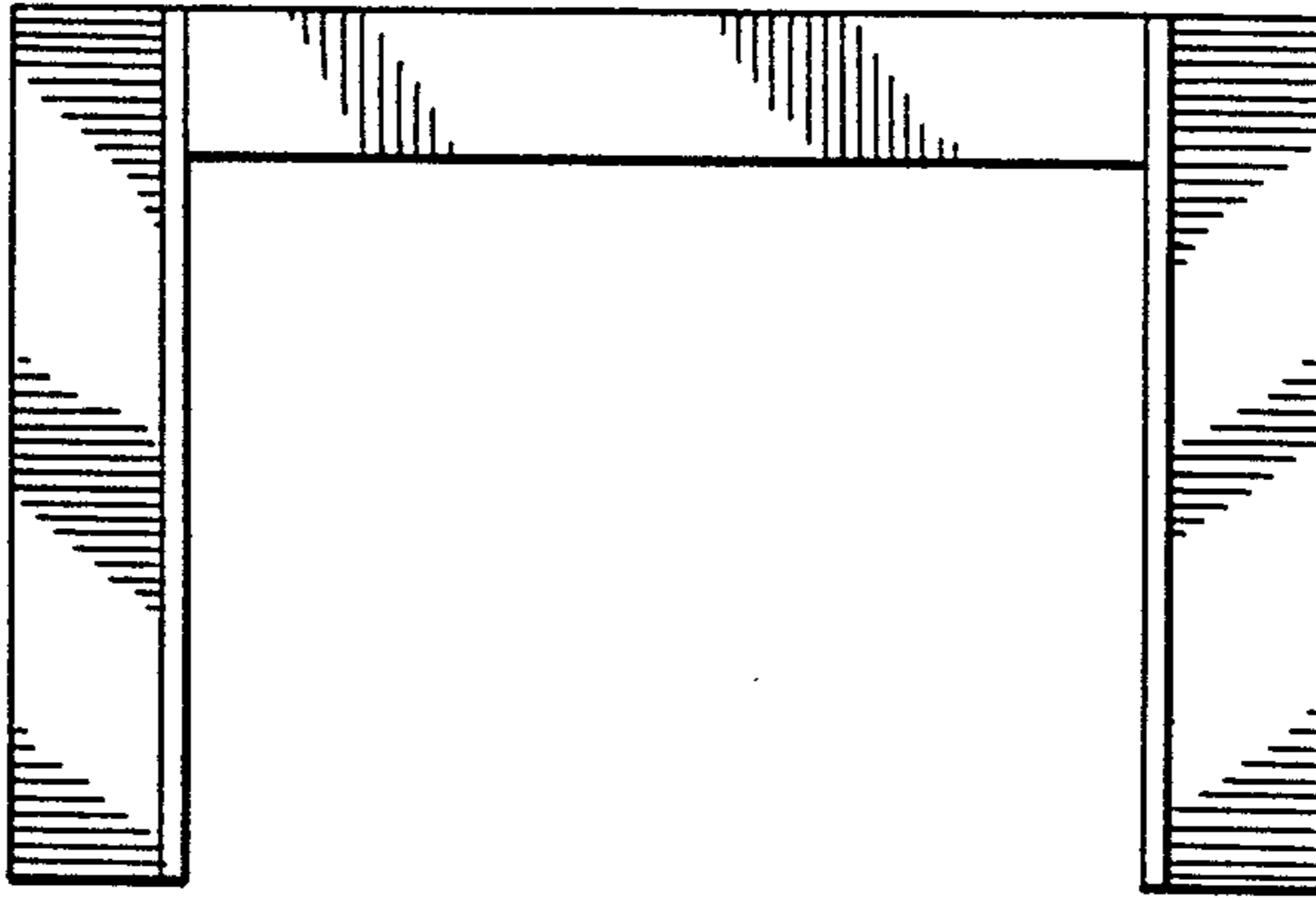


FIG. 5

