

# United States Patent [19]

Schlapp

[11] Patent Number: Des. 296,051

[45] Date of Patent: \*\* Jun. 7, 1988

[54] CHAIR

[76] Inventor: Friedrich Schlapp, Bahnhofstrasse 2,  
D-6390 Usingen, Fed. Rep. of  
Germany

[\*] Notice: The portion of the term of this patent  
subsequent to Mar. 8, 2002 has been  
disclaimed.

[\*\*] Term: 14 Years

[21] Appl. No.: 752,391

[22] Filed: Jul. 3, 1985

[30] Foreign Application Priority Data

Jan. 4, 1985 [DE] Fed. Rep. of Germany ..... MR 75

[52] U.S. Cl. .... D6/380

[58] Field of Search ..... D6/334, 374, 375, 379,  
D6/380; 297/445

[56] References Cited

## U.S. PATENT DOCUMENTS

D. 248,905 8/1978 Schoeller ..... D6/380 X  
D. 258,706 3/1981 Lübke ..... D6/379  
D. 270,792 10/1983 Lange ..... D6/379 X  
D. 274,392 6/1984 Blodde ..... D6/379  
D. 278,767 5/1985 Lundquist ..... D6/380 X

Primary Examiner—Bruce W. Dunkins  
Attorney, Agent, or Firm—Michael J. Striker

[57] CLAIM

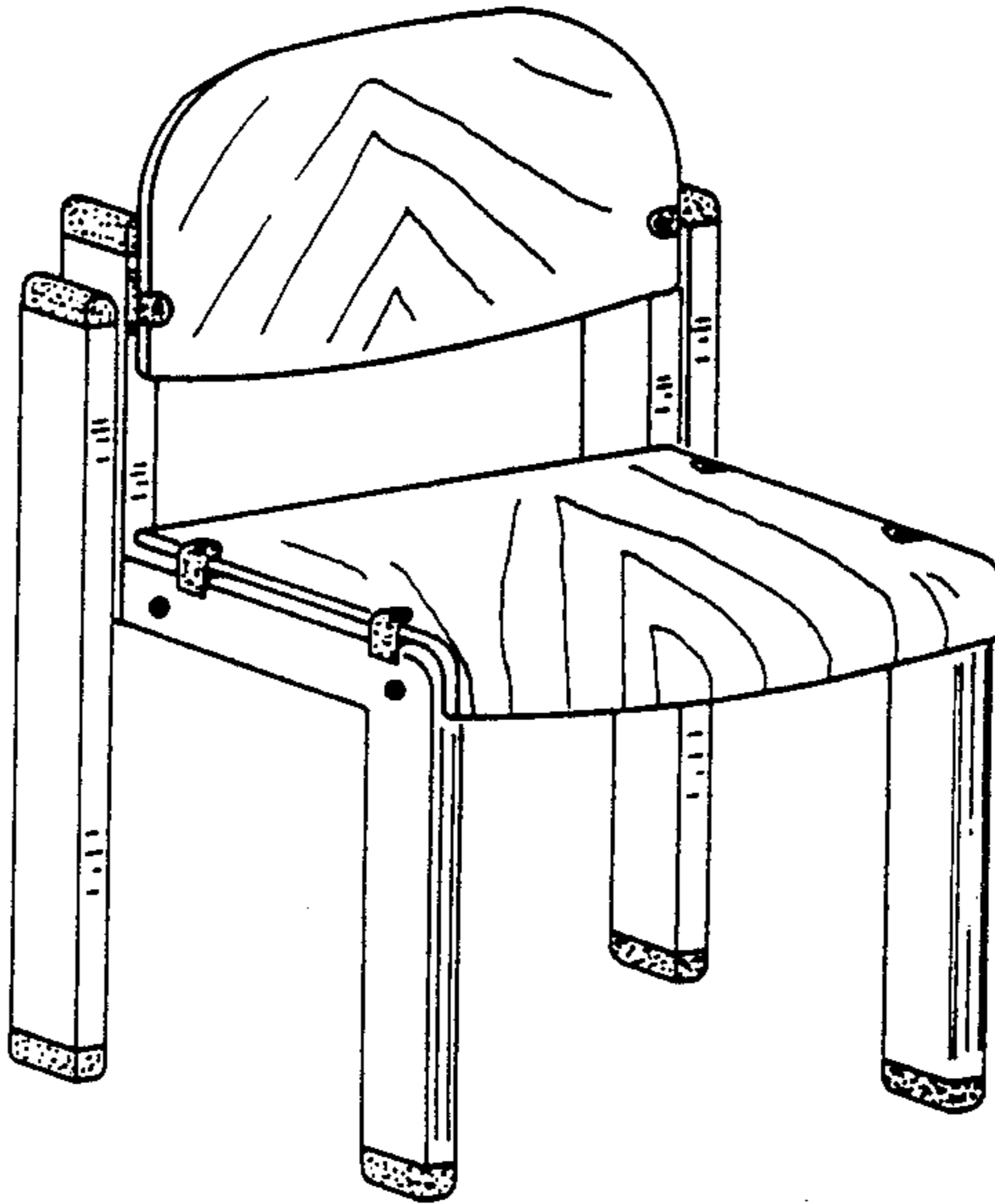
The ornamental design for a chair, substantially as  
shown and described.

## DESCRIPTION

FIG. 1 is a front perspective view of a chair showing  
my new design;

FIG. 2 is a rear perspective view; and

FIG. 3 is a side elevational view, the opposite side being  
a mirror image thereof.



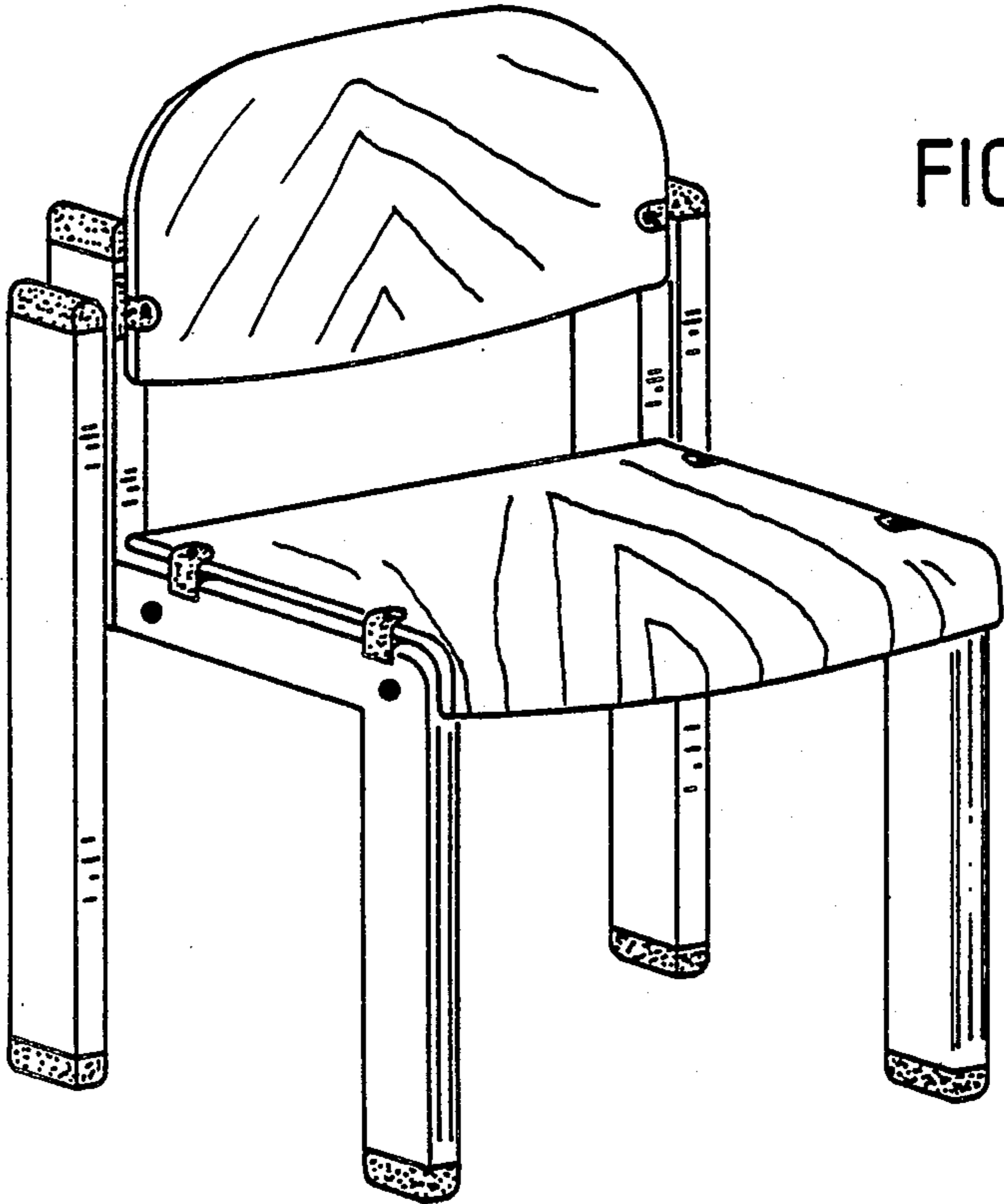
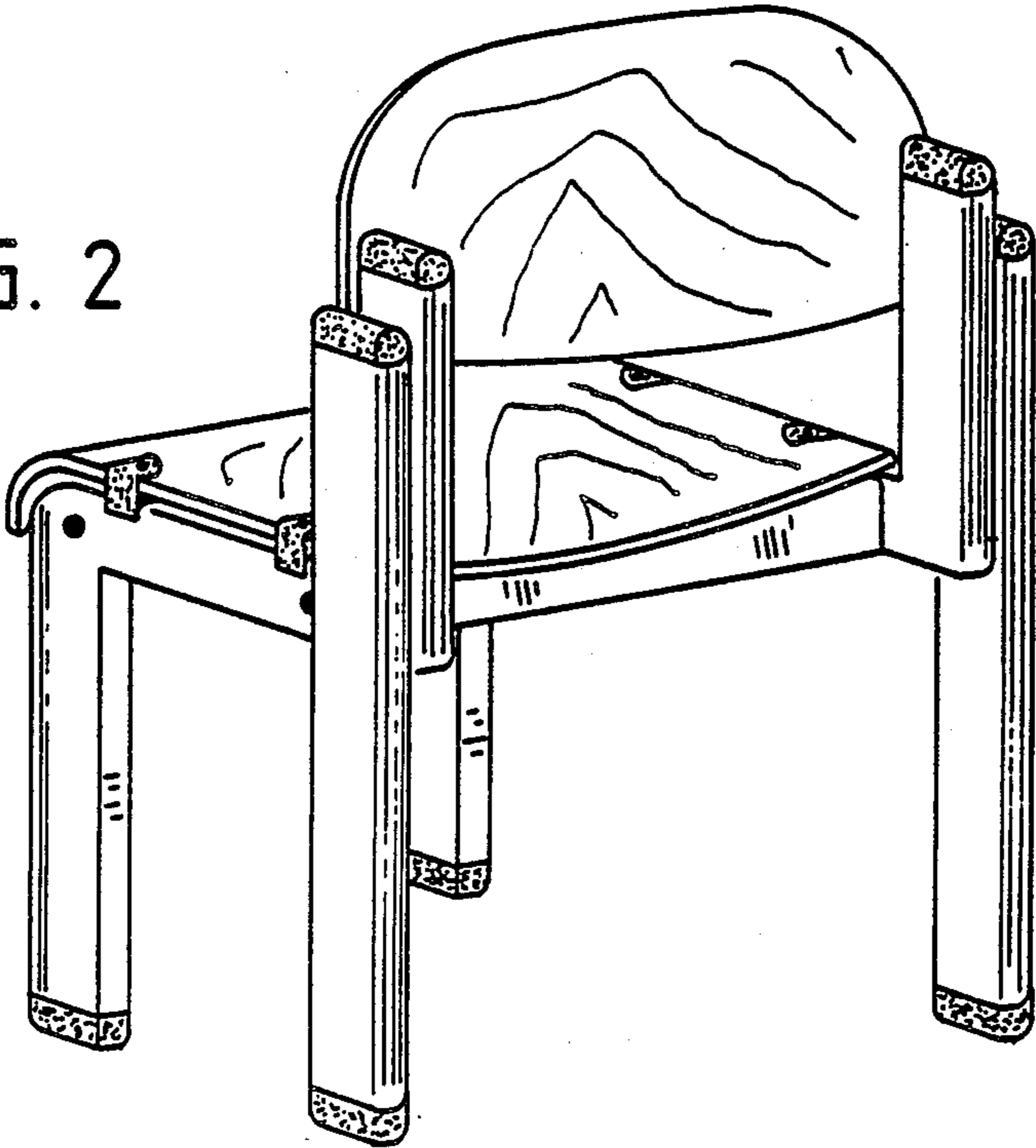


FIG. 1

FIG. 2



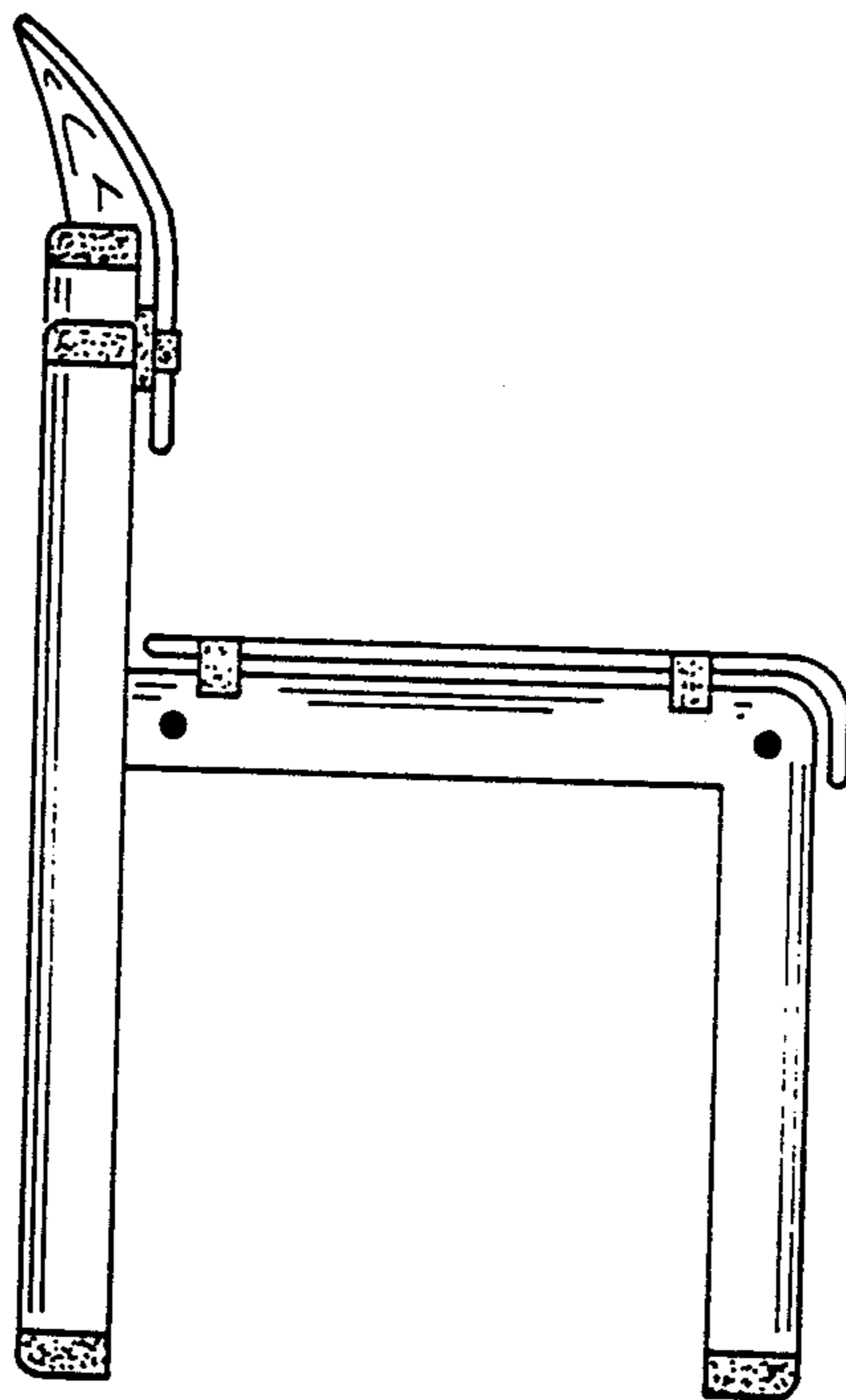


FIG. 3