

[54] COIN BANK

[75] Inventor: William W. Knox, Mentor, Ohio

[73] Assignee: MAG-NIF Incorporated, Mentor, Ohio

[**] Term: 14 Years

[21] Appl. No.: 769,944

[22] Filed: Aug. 27, 1985

[52] U.S. Cl. D99/35

[58] Field of Search D99/34, 38, 35, 37, D99/28, 36, 39-43, 99; 232/1 D, 4 R; 453/9, 3, 5, 13, 62, 49; 221/121, 122; D18/3; 206/3, 83; 446/8, 9

[56] References Cited

U.S. PATENT DOCUMENTS

D. 239,575	4/1976	Powell, Jr.	D99/34
D. 241,866	10/1976	Miyazaki	D99/35
812,327	2/1906	Craner	453/9
875,712	1/1908	Jakobsson	453/9
1,335,716	3/1920	Watt	221/260 X
1,616,822	2/1927	Petersen	221/122
1,740,172	12/1929	Hagemo	446/8 X
3,161,351	12/1964	Lerner	D99/34 X
3,187,759	6/1965	Rausing	133/3 R
3,242,931	3/1966	Wandrey	453/49 X

3,338,250	8/1967	Mehelich	453/9
3,410,385	11/1968	Freet et al.	221/121 X
3,527,383	9/1970	Borsum et al.	221/122 X
3,782,594	1/1974	Langieri et al.	221/121 X
4,541,547	9/1985	Miknyocki et al.	133/5 X

FOREIGN PATENT DOCUMENTS

0667454	5/1939	Fed. Rep. of Germany	221/260
0048073	10/1937	France	221/121
0013039	7/1904	Norway	453/9

Primary Examiner—Winifred E. Herrmann

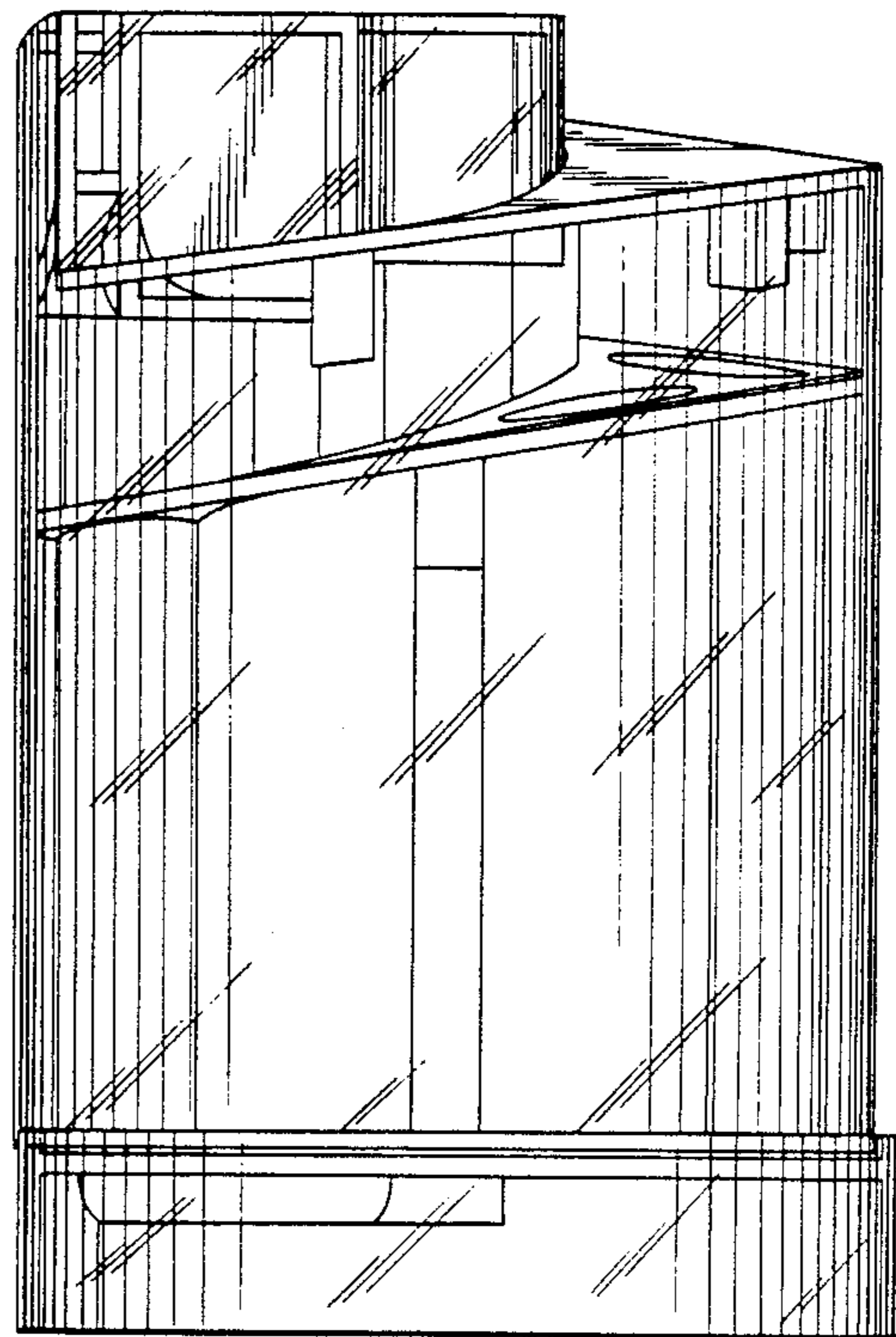
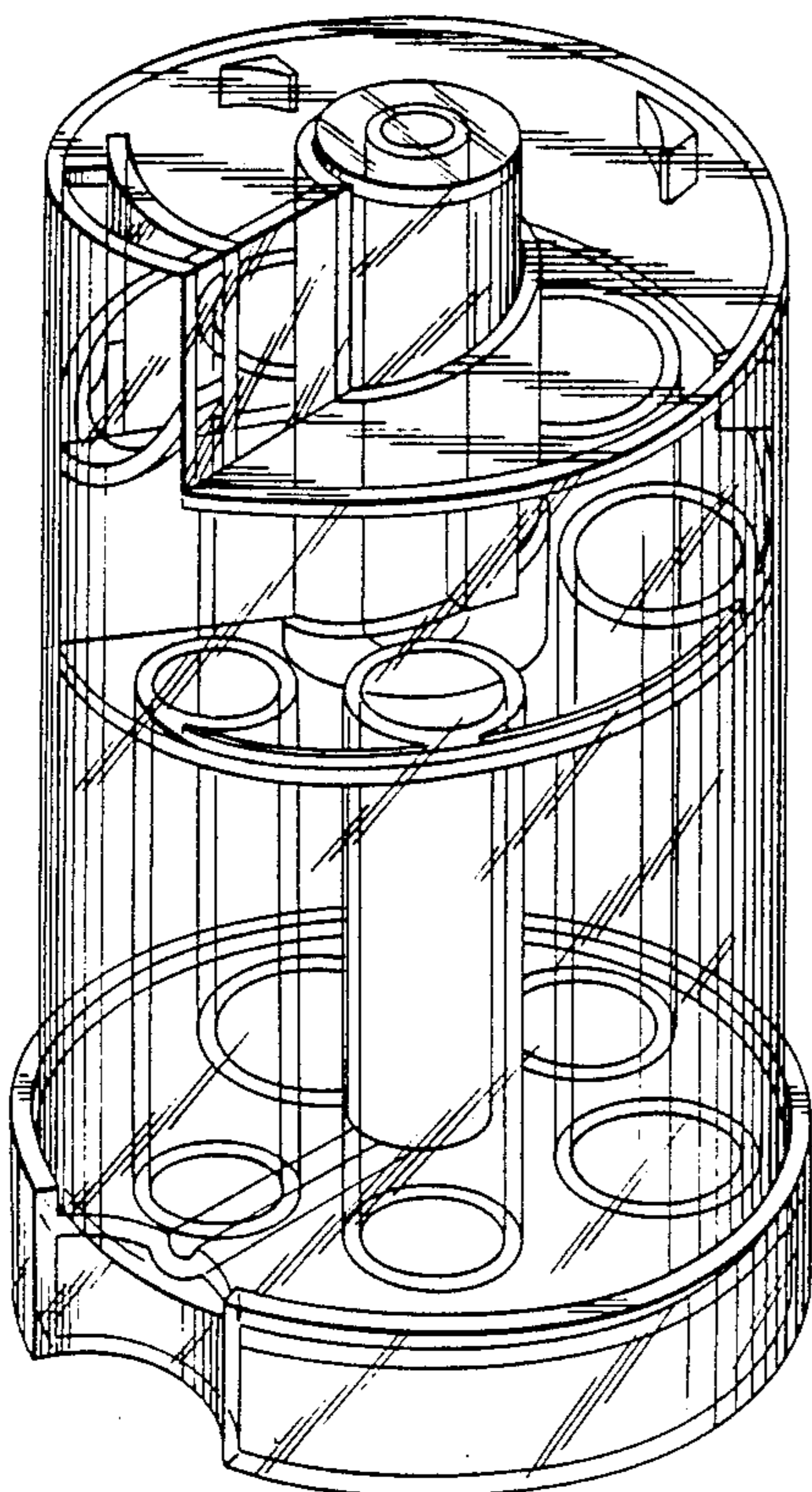
Attorney, Agent, or Firm—Fleit, Jacobson, Cohn & Price

[57] CLAIM

The ornamental design for a coin bank, as shown.

DESCRIPTION

FIG. 1 is a top perspective view of a coin bank showing my new design;
 FIG. 2 is a front elevational view thereof;
 FIG. 3 is a right side elevation view thereof;
 FIG. 4 is a rear elevational view thereof;
 FIG. 5 is a left side elevational view thereof;
 FIG. 6 is a top plan view thereof;
 FIG. 7 is a bottom plan view thereof;
 FIG. 8 is a sectional view on the line 8—8 of FIG. 2;
 and
 FIG. 9 is a sectional view on the line 9—9 of FIG. 6.



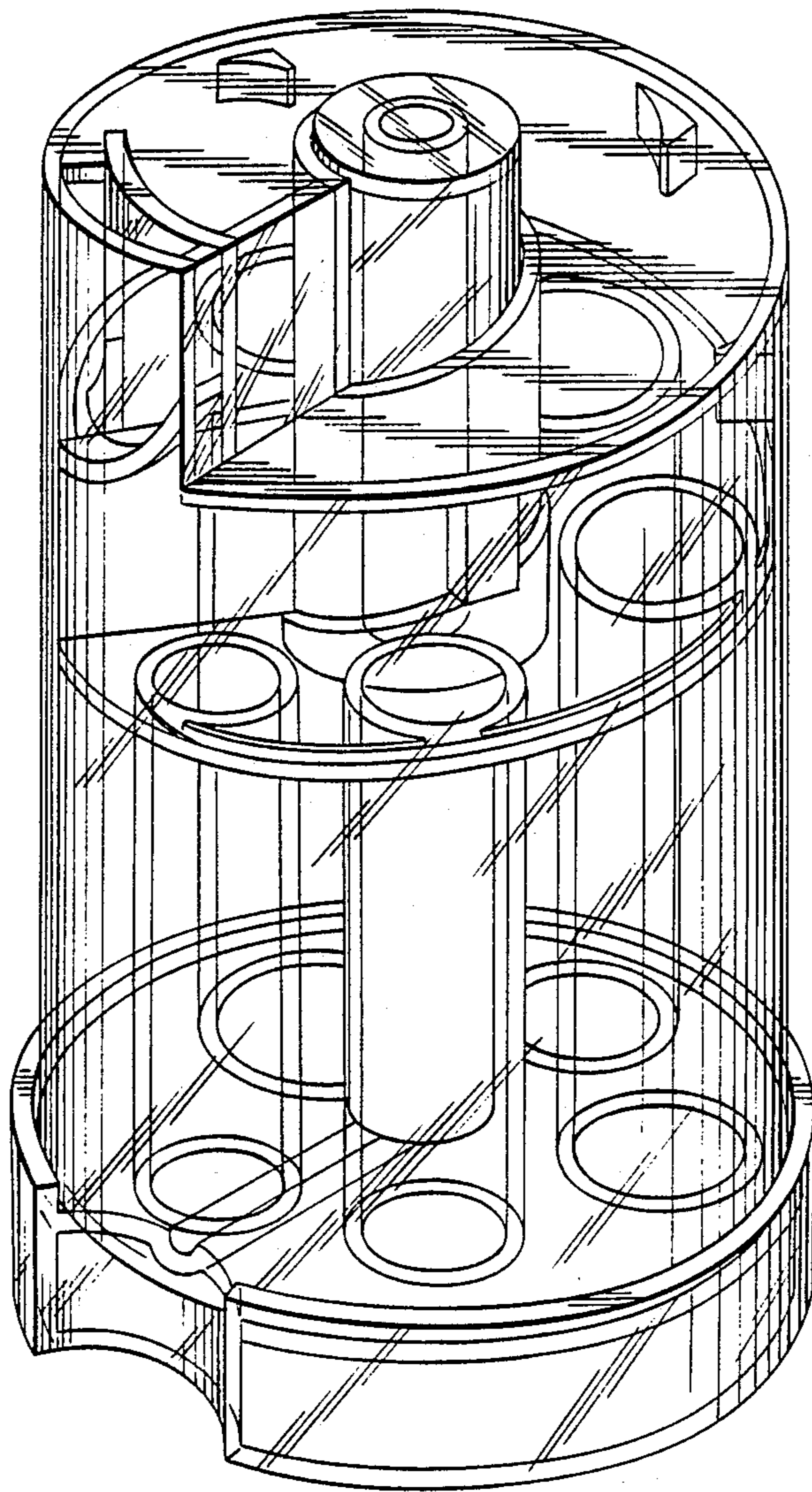


FIG. 1

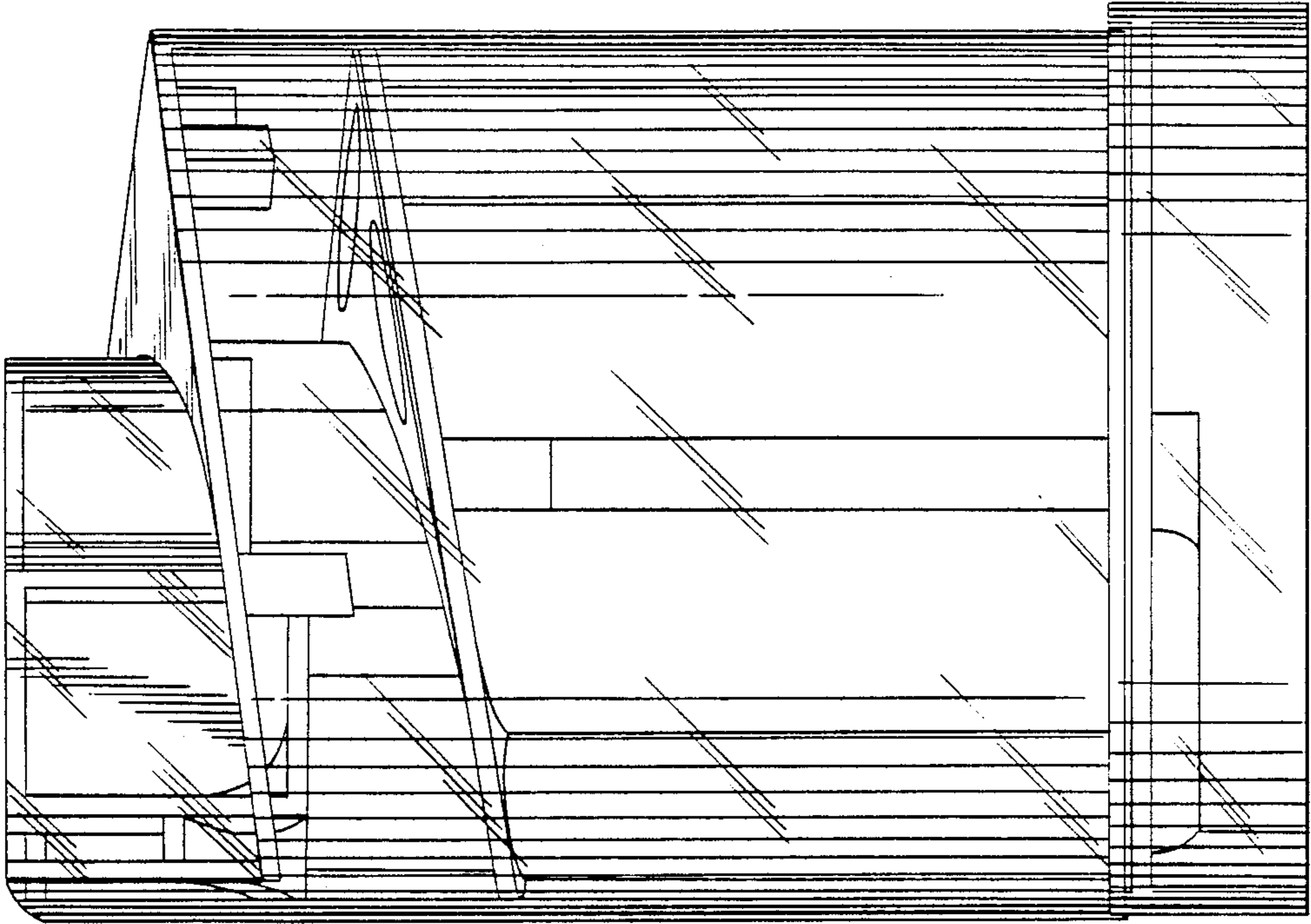


FIG. 3

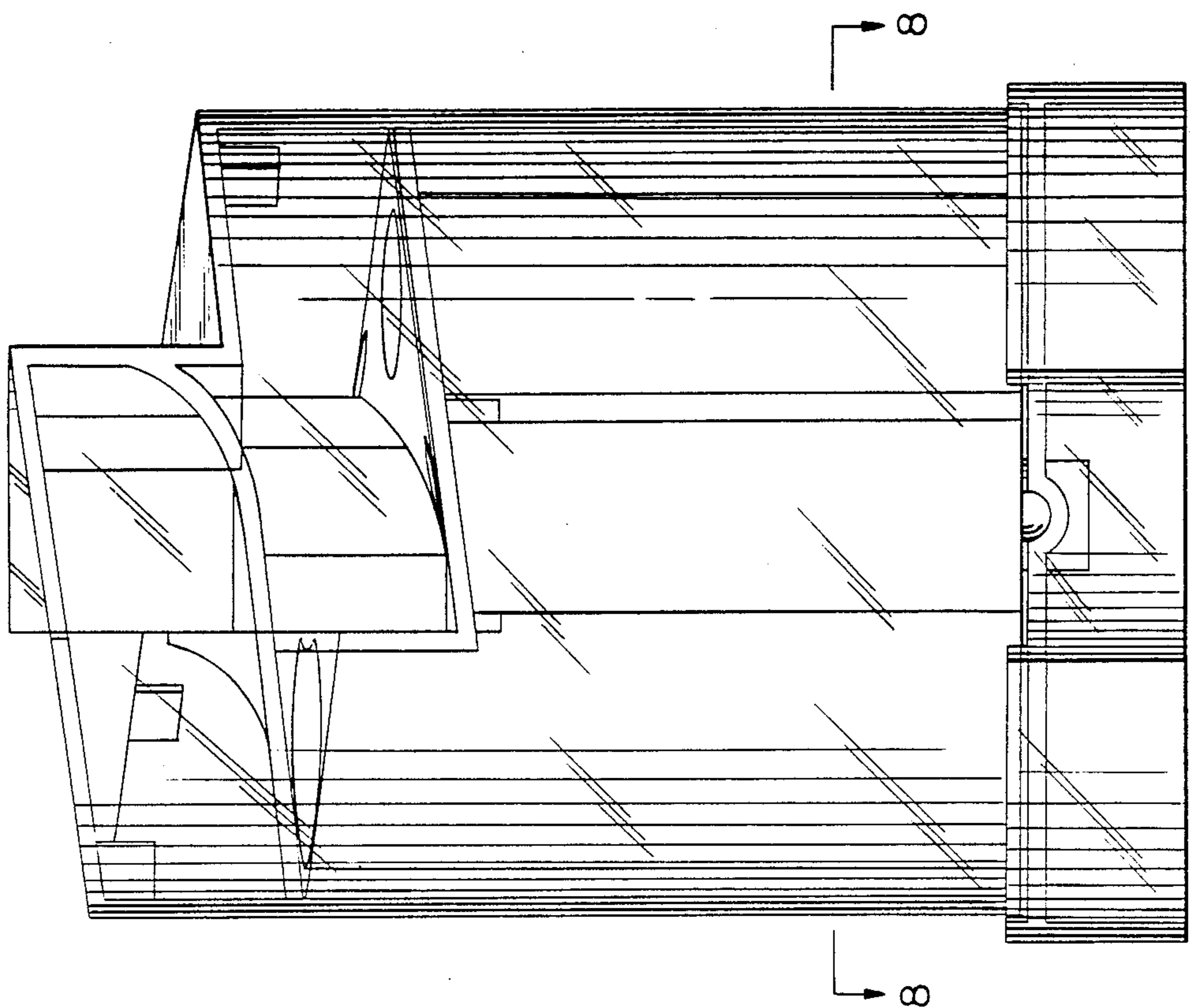


FIG. 2

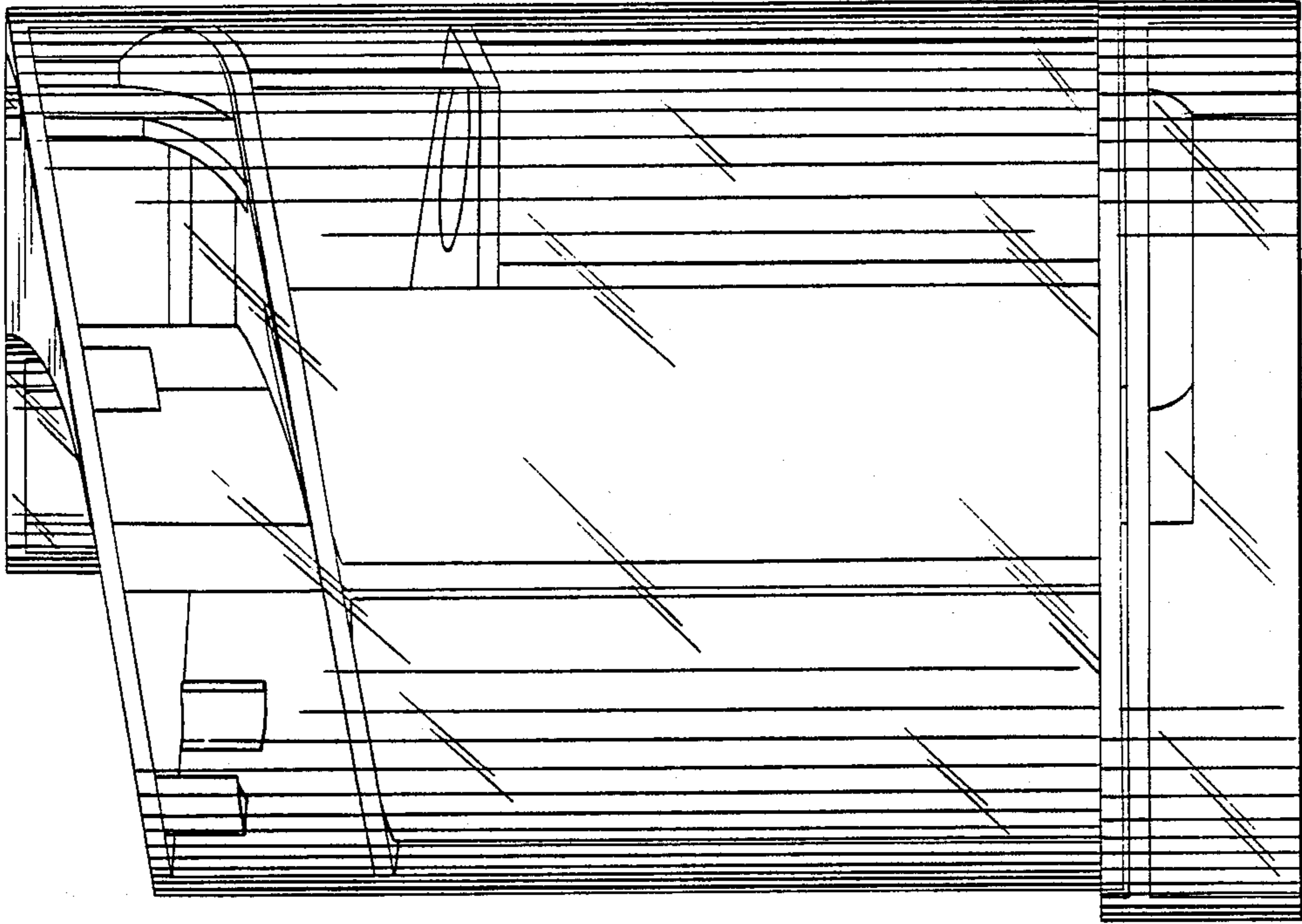


FIG. 5

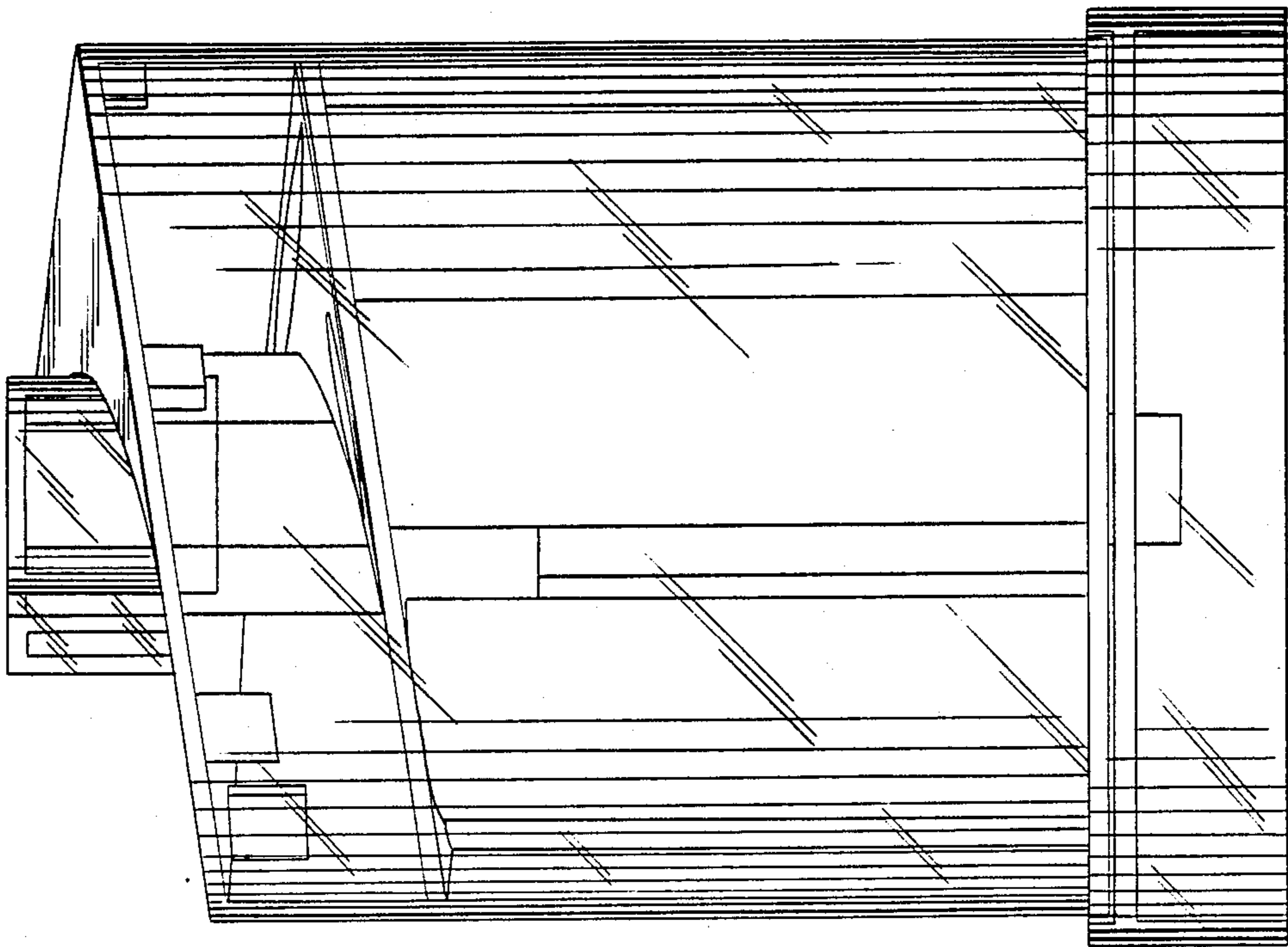


FIG. 4

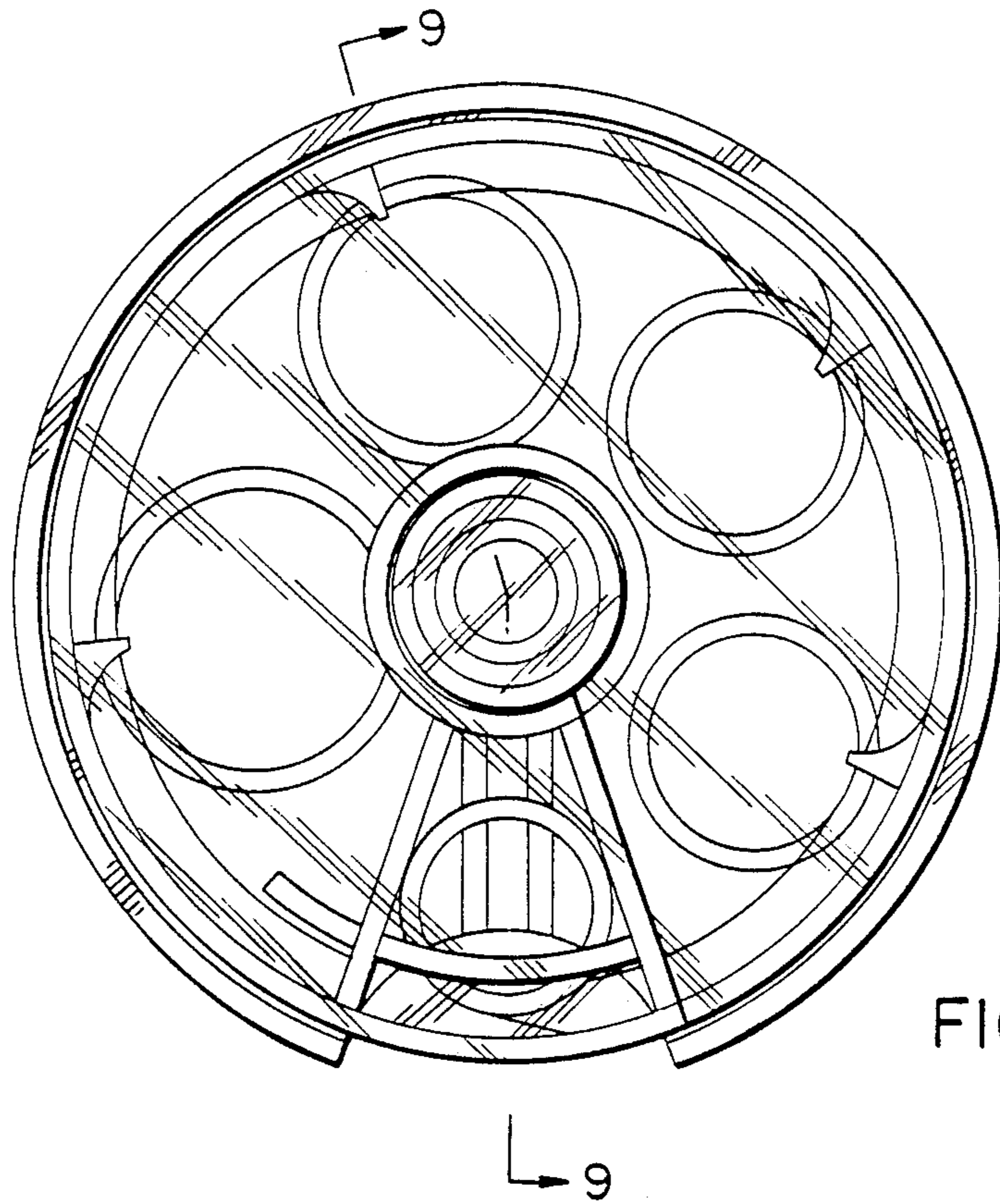


FIG. 6

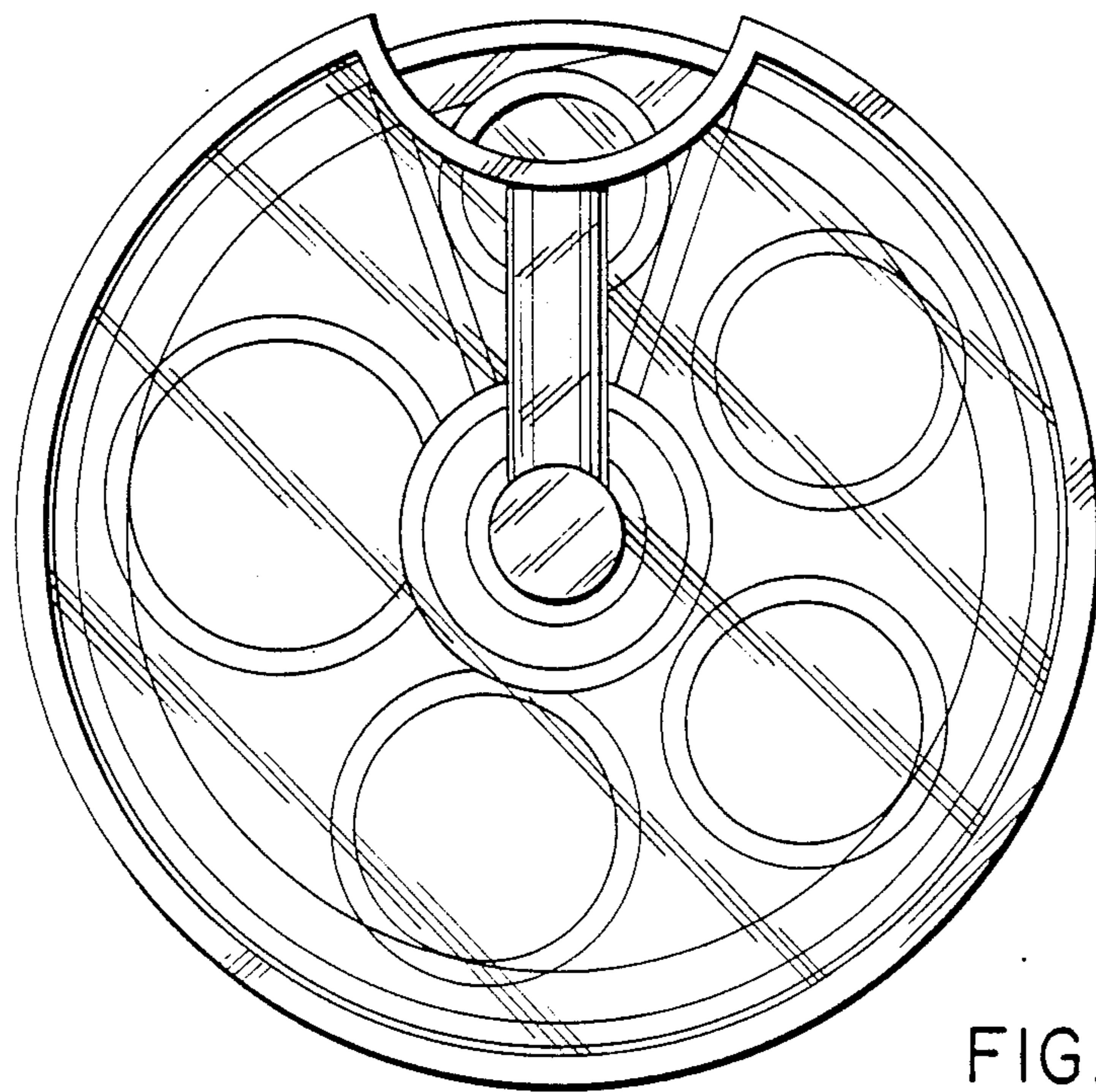


FIG. 7

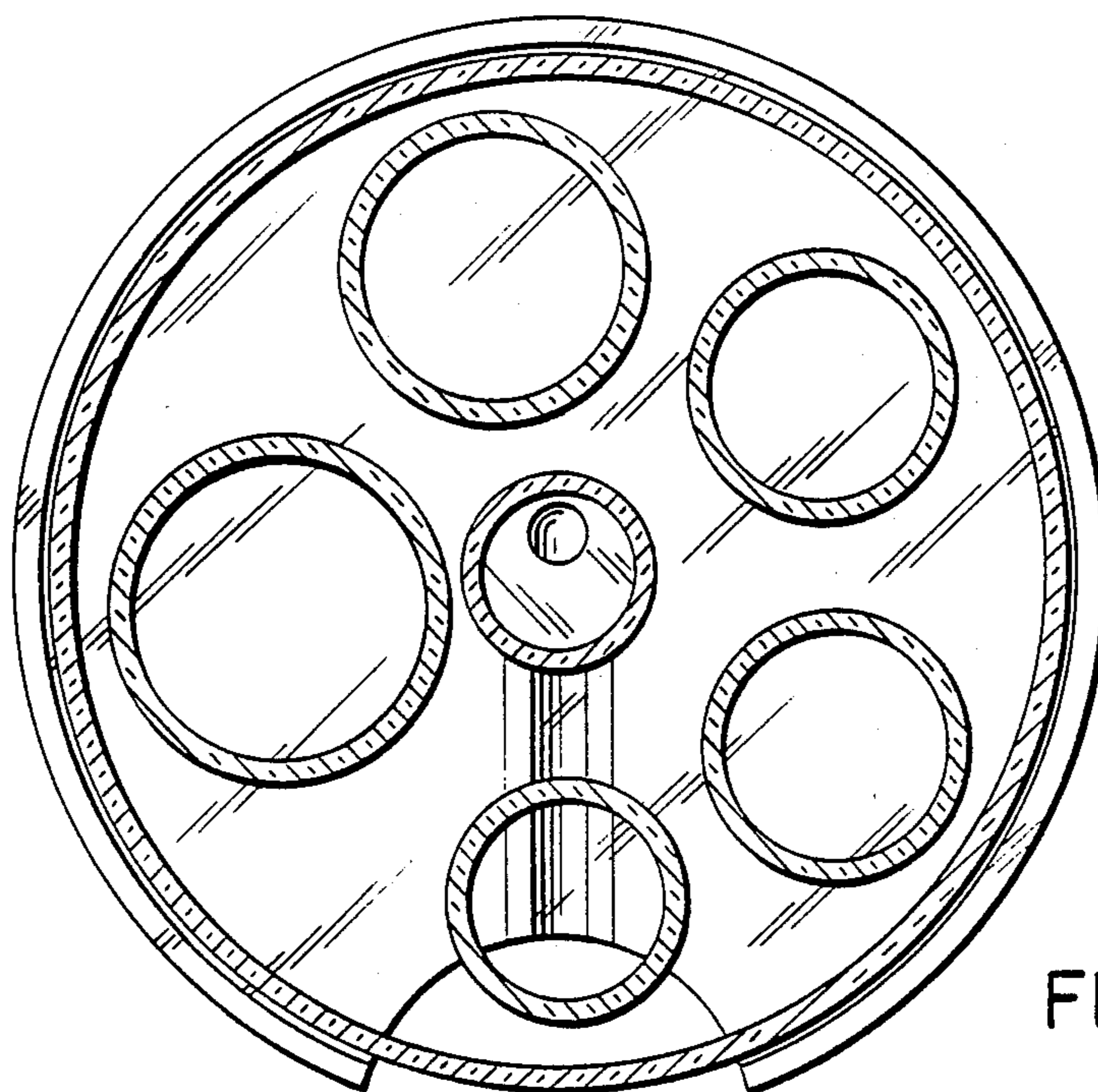


FIG. 8

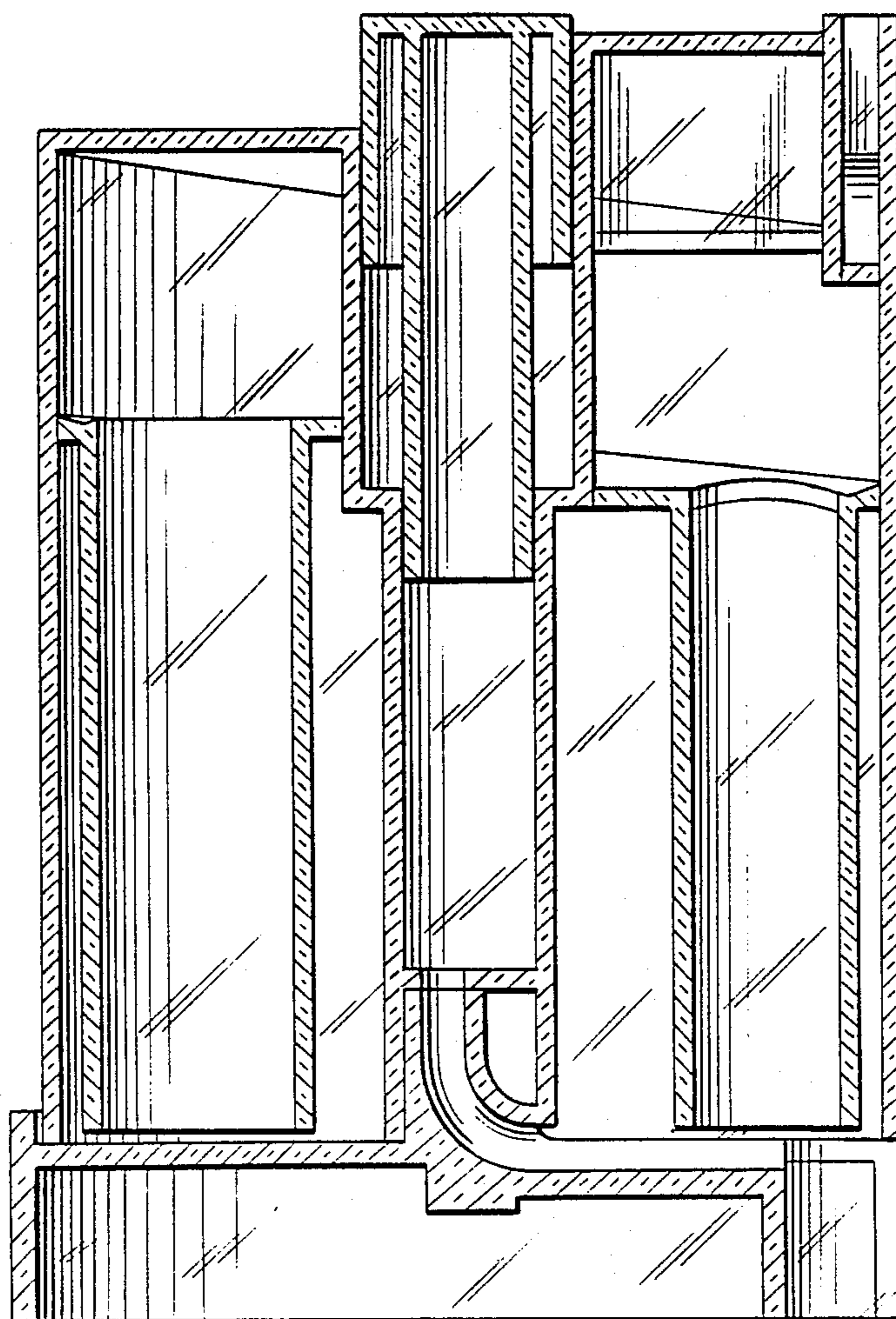


FIG. 9